



THE VALOR H4

Integrating contemporary design with efficient Valor heat, the H4 is one of our most versatile fireplaces to date. Choose from two different backing plates (landscape or square) and one of three designer bezel window trims in copper, nickel or black.

VALORSTAT PLUS REMOTE CONTROL & WALL SWITCH KIT - STANDARD FEATURES



Easily select, adjust and program the desired temperature that you want, saving energy and lowering your overall home heating costs.

Pilot On Demand: Turn your pilot light **ON** and **OFF** from the handheld remote for years of additional energy savings. In addition to the ValorStat Plus remote the **Wall Switch Kit** provides secondary fireplace control.

NO POWER, NO PROBLEM

Engineered to circulate air through natural convection, the H4 is highly efficient without a fan - providing reliable heat, even during a power failure.

SPREAD THE WARMTH - EFFICIENT HEAT DISTRIBUTION

Heating your entire home with a central forced air system is often inefficient. With a Valor, you supply steady, even heat directly where you want it - when you want it. Studies have shown that effective zone heating can save you up to 30% on home heating costs. Turn down your furnace and save with Valor!

USE RADIANT HEAT SAFELY

Fireplace surfaces, in particular the glass viewing window, are extremely hot during operation and will remain hot for a period of time after the fireplace is turned off. Contact with the hot glass can cause severe burns. Close adult supervision is required if there are young children, or at-risk individuals in the house. As well, a physical barrier is strongly recommended. Install an approved aftermarket safety gate to keep toddlers, young children and at-risk individuals a safe distance from the fireplace.

For more information please visit www.valorfireplaces.com/safety.



FIREPLACE SAFETY



Valor H4 650JL shown with 662SSV Outer Square Surround (Vintage Iron) & 661BSC Inner Bezel Surround - Copper

valor THE WISE WAY TO HEAT

COZY COMFORT PLUS™
Heating and Air Conditioning

416-780-9760

JUNE 2013 - BRH413E Your Authorized Valor Dealer

valor
THE ORIGINAL
RADIANT GAS FIREPLACE™

Contemporary, Radiant Gas Fireplaces

valor H4 SERIES™

valor
THE ORIGINAL
RADIANT GAS FIREPLACE™
www.valorfireplaces.com

Efficient Design for Contemporary Living

Valor H4 650IR shown with 660LSV Outer Landscape Surround (Vintage Iron) & 661BSP Inner Bezel Surround - Brushed Nickel with 620FBL Fluted Black Liner & 761DRK Decorative Rock Kit Accessory

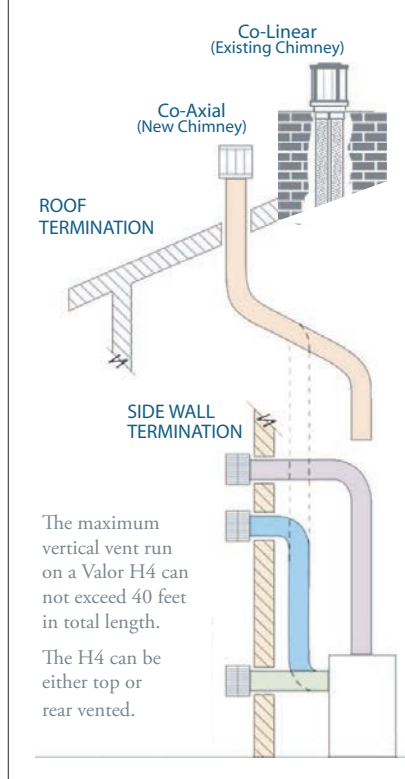


Shown with 671RGK Rock & Glass Kit

Shown with 761DRK Decorative Rock Kit Accessory

- 660LSV Outer Landscape Surround (Vintage Iron) & 661BSN Inner Bezel Surround - Nickel Powder Coat with 618EBL Enamel Black Liner
- 660LSV Outer Landscape Surround (Vintage Iron) & 661BSB Inner Bezel Surround - Black with 618EBL Enamel Black Liner & Log Set
- 660LSB Outer Landscape Surround (Black) & 661BSC Inner Bezel Surround - Copper with 620FBL Fluted Black Liner & Creekside Fuel Bed
- 662SSV Outer Square Surround (Vintage Iron) & 661BSC Inner Bezel Surround - Copper with 622LSL LedgeStone Liner & Log Set
- 662SSV Outer Square Surround (Vintage Iron) & 661BSN Inner Bezel Surround - Brushed Nickel with 620FBL Fluted Black Liner & Creekside Fuel Bed
- 662SSV Outer Square Surround (Vintage Iron) & 661BSB Inner Bezel Surround - Black with 621VRL Valor Red Brick Liner & Log Set

VENTING OPTIONS



UNDERSTANDING ENERGY EFFICIENCY RATINGS

All Valor product literature is published using recognized Canadian and US government test methods for determining energy efficiency performance. This ensures our products will perform in your home as rated. Beware of misleading "steady state" efficiency claims made by manufacturers using their own "in-house" test methods. For example - a large difference between an EnerGuide rating and a "steady state efficiency" may indicate misleading efficiency claims. For more information visit www.valorfireplaces.com.

H4 FIREPLACE COMPONENTS

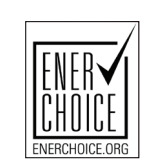
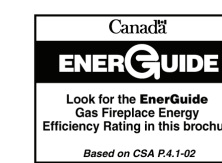
ENGINES	650JLN Direct Vent H4 Engine NG (Log Set)	
650JLP Direct Vent H4 Engine LPG (Log Set)		
650IRN Direct Vent H4 Engine NG (Creekside Rock Set)		
650IRP Direct Vent H4 Engine LPG (Creekside Rock Set)		
LINERS	618EBL Enamel Black Liner (Reflective)	
620FBL Fluted Black Liner		
621VRL Valor Red Brick Liner		
622LSL LedgeStone Liner		
SURROUNDS	660LSB Outer Landscape Surround - Black (31-5/8" h X 44-3/4" w)	Please Note: When building your H4, you must select one Outer Surround as well as one Inner Bezel Surround .
660LSV Outer Landscape Surround - Vintage Iron (31-5/8" h X 44-3/4" w)		
662SSV Outer Square Surround - Vintage Iron (31-3/16" h X 36-3/4" w)		
661BSB Inner Bezel Surround - Black		
661BSC Inner Bezel Surround - Copper		
661BSN Inner Bezel Surround - Nickel Powder Coat		
661BSP Inner Bezel Surround - Brushed Nickel		
OPTIONAL KITS	556CLA Co-linear Adapter - converts co-axial vent to 2 x 3" vent liners (insert)	
559CLT Co-linear Terminal - chimney liner termination cap (for use with 556CLA)		
607NGK LP to Natural Gas Conversion Kit		
671RGK Rock and Glass Kit (650IR Series only)		
755CFK Circulating Fan Kit - variable speed, thermally activated		
761DRK Optional Decorative Rock Kit Accessory		
817VAK Vent Adapter Kit - Simpson DuraVent		
845TG Terminal Guard (required item in certain app. see install manual)		
GV60BRK 1-Hour Shut Down Handset		
GV60NTK Non-Thermostat Handset		

MODEL/FUEL

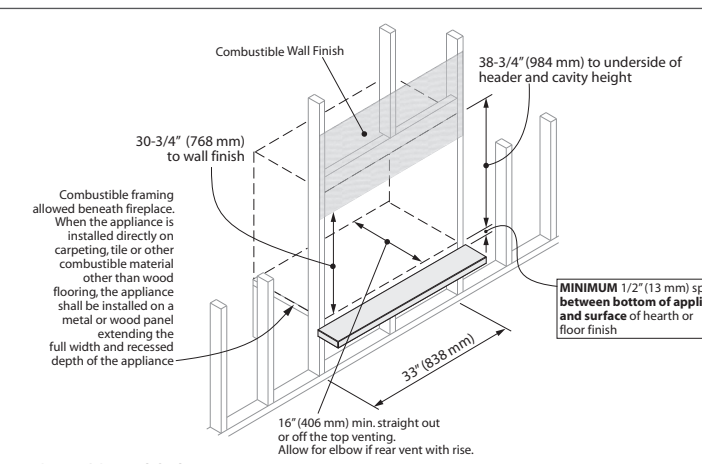
Model	Fuel	Max. Input BTU/hr	Min. Input BTU/hr	EnerGuide Rating**	Max. Output** (w/out fan) BTU/hr
650JLN(Log) / IRN (Rock)	NG	24,000	6,500	70.9%	17,506
650JLP(Log) / IRP (Rock)	LPG	24,000	13,000	70.9%	17,506

Certified to ANSI Z21.88/ CSA 2.33 Vented Gas Fireplace Heater Standard/ CAN 1 - 2.17 Gas Fired Appliances For Use at High Altitude
** EnerGuide Ratings and Outputs have been determined without a fan/blower, using the CSA P4.1-02 test method

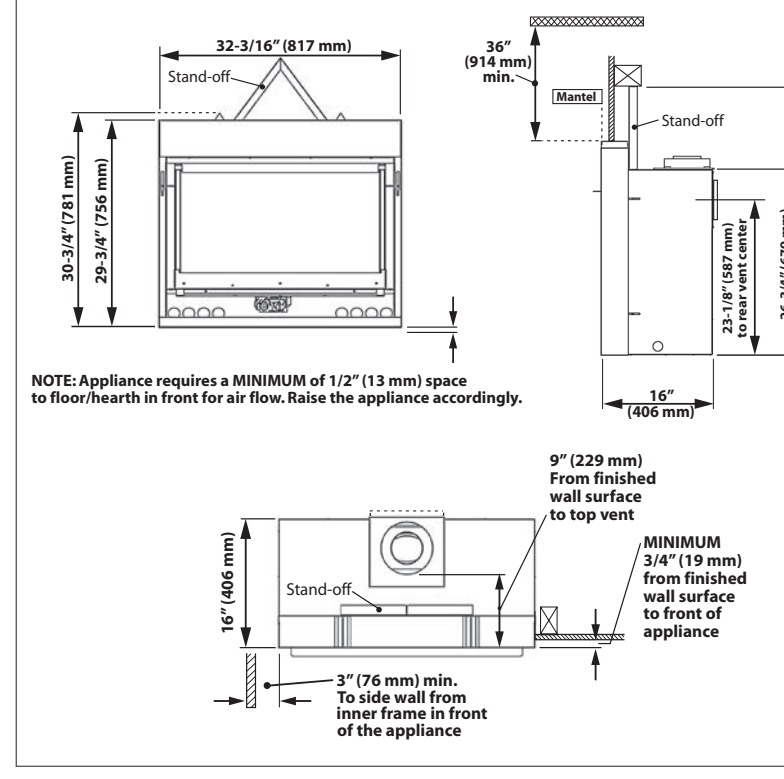
PLEASE REFER TO THE COMPLETE H4 (650) PRODUCT MANUAL BEFORE INSTALLATION



FRAMING DIMENSIONS



PRODUCT DIMENSIONS



Designed and manufactured by:



Copyright Miles Industries Ltd. 2013
Proudly Made in North America

Printed on recycled paper