

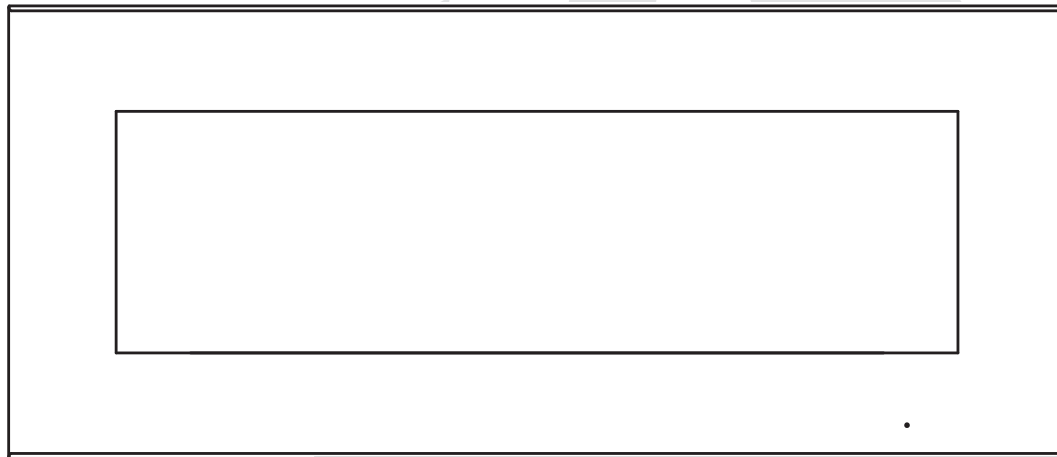
INSTALLER: LEAVE THIS MANUAL WITH THE APPLIANCE.
CONSUMER: RETAIN THIS MANUAL FOR FUTURE REFERENCE.
NEVER LEAVE CHILDREN OR OTHER AT RISK INDIVIDUALS ALONE WITH THE APPLIANCE.



INSTALLATION AND OPERATING INSTRUCTIONS

CERTIFIED UNDER CANADIAN AND AMERICAN NATIONAL STANDARDS: CSA C22.2 No-46 / UL 1278

Napoleon 42" ELECTRIC FIREPLACE



SAFETY INFORMATION



If the information in these instructions are not followed exactly, a fire may result causing property damage, personal injury or loss of life.

- Do not store or use gasoline or other flammable vapors and liquids in the vicinity of this or any other appliance.



APPLY SERIAL NUMBER LABEL FROM CARTON



Serial No. XXXXXX000000
MODEL NO.

Wolf Steel Ltd., 24 Napoleon Rd., Barrie, ON, L4M 0G8 Canada /
103 Miller Drive, Crittenden, Kentucky, USA, 41030

Phone (705)721-1212 • Fax (705)722-6031 • www.napoleonfireplaces.com • hearth@napoleonproducts.com

\$10.00

1.16E

EN

FR
PG
21

TABLE OF CONTENTS

1.0	INTRODUCTION	3
1.1	DIMENSIONS	4
1.2	LISTING APPROVALS	4
1.4	UNPACKING AND TESTING APPLIANCE	5
1.3	GENERAL INSTRUCTIONS	5
2.0	LOCATING APPLIANCE	6
2.1	GROUNDING APPLIANCE	6
3.0	INSTALLATION	7
3.1	MINIMUM CLEARANCE TO COMBUSTIBLES	8
3.2	MINIMUM MANTEL CLEARANCES	8
3.3	INSTALLING THE APPLIANCE	9
4.0	FINISHING	10
4.1	GLASS DOOR REMOVAL	10
4.2	CRYSTAL EMBER INSTALLATION	10
5.0	OPERATING INSTRUCTIONS	11
5.1	MAIN POWER SWITCH	11
5.2	OPERATING BY REMOTE CONTROL	11
6.0	MAINTENANCE	12
6.1	FUSE REPLACEMENT	12
7.0	WIRING DIAGRAM	13
8.0	REPLACEMENT PARTS	14
9.0	TROUBLESHOOTING	15
10.0	WARRANTY	16
11.0	SERVICE HISTORY	17
12.0	NOTES	18

NOTE: Changes, other than editorial, are denoted by a vertical line in the margin.

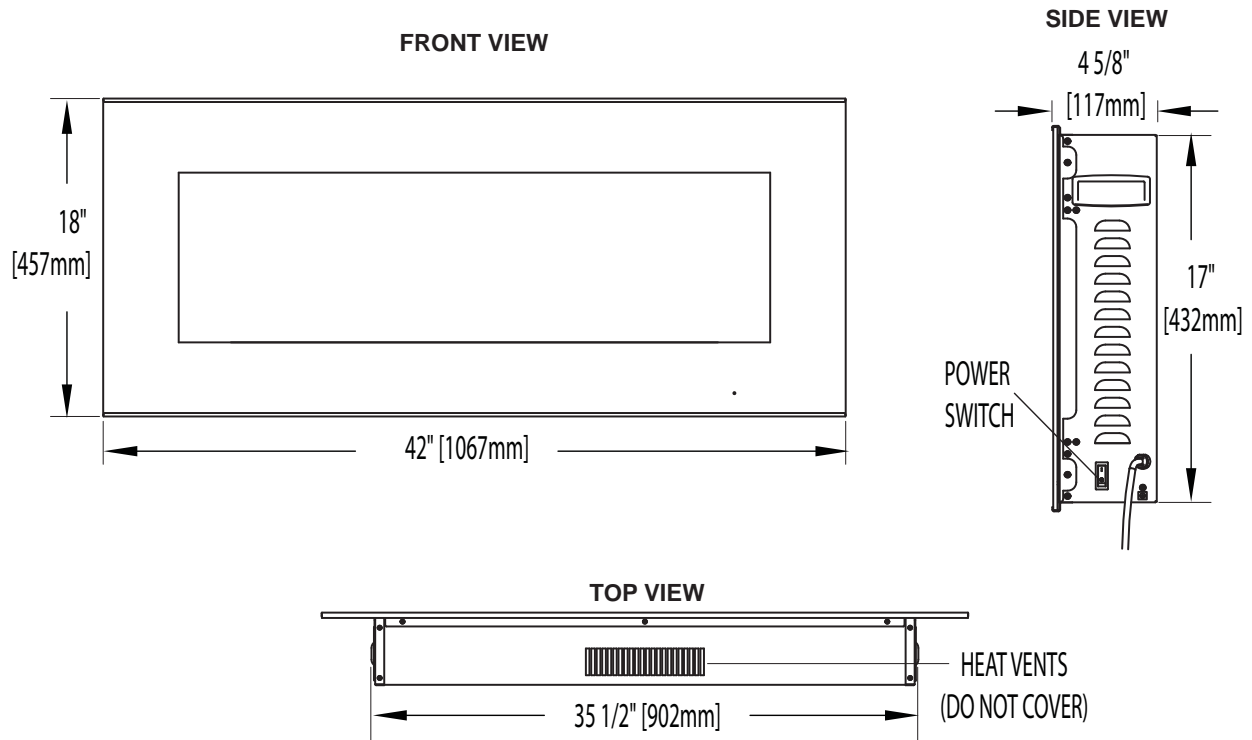
1.0 INTRODUCTION

WARNING

- **THIS APPLIANCE IS HOT WHEN OPERATED AND CAN CAUSE SEVERE BURNS IF CONTACTED.**
- Do not operate appliance before reading and understanding operating instructions. Failure to operate appliance according to operating instructions could cause fire or injury.
- Risk of burns. Power to the appliance should be turned off and the appliance allowed to cool before servicing. To disconnect power to the appliance, turn controls to off, then remove plug from outlet.
- Do not install damaged, incomplete or substitute components.
- Do not burn wood or other materials in this appliance.
- Young children should be carefully supervised when they are in the same room as the appliance. Toddlers, young children and others may be susceptible to accidental contact burns. A physical barrier is recommended if there are at risk individuals in the house. To restrict access to an appliance or stove, install an adjustable safety gate to keep toddlers, young children and other at risk individuals out of the room and away from hot surfaces.
- Clothing or other flammable material should not be placed on or near the appliance.
- Due to high temperatures, the appliance should be located out of traffic and away from furniture and draperies.
- Ensure you have incorporated adequate safety measure to protect infants/toddlers from touching hot surfaces.
- Even after the appliance is out, the glass and/or screen will remain hot for an extended period of time.
- Check with your local hearth specialty dealer for safety screens and hearth guards to protect children from hot surfaces. These screens and guards must be fastened to the floor.
- Any safety screen or guard removed for servicing must be replaced prior to operating the appliance.
- It is imperative that the control compartments, circulating blower and its passageway in the appliance and are kept clean. The appliance should be inspected before use and at least annually by a qualified service person. More frequent cleaning may be required due to excessive lint from carpeting, bedding material, etc. The appliance area must be kept clear and free from combustible materials, gasoline and other flammable vapors and liquids.
- Under no circumstances should this appliance be modified.
- Do not use this appliance if any part has been under water. Immediately call a qualified service technician to inspect the appliance and to replace any part of the control system which has been under water.
- Do not operate the appliance with the glass door removed, cracked or broken. Replacement of the glass should be done by a licensed or qualified service person.
- Do not strike or slam shut the appliance glass door.
- Keep the packaging material out of reach of children and dispose of the material in a safe manner. As with all plastic bags, these are not toys and should be kept away from children and infants.
- Servicing should be done only while the appliance is disconnected from the power supply circuit.
- Always unplug appliance when not in use.
- Do not operate this appliance with a damaged cord or plug after the appliance malfunctions, has been dropped or damaged in any manner. Return appliance to authorized service facility for examination, electrical or mechanical adjustment, or repair.
- Do not use outdoors.
- Never locate appliance where it may fall into a bathtub or other water container.
- Do not run cord under carpeting. Do not cover cord with throw rugs, runners, or the like. Arrange cord away from traffic area and where it will not be tripped over.
- Connect to properly grounded outlets only.
- Do not insert or allow foreign objects to enter any ventilation or exhaust opening as this may cause an electric shock or fire, or damage the appliance.
- To prevent a possible fire, do not block air intakes or exhaust in any manner. Do not use on soft surfaces, like a carpet, where openings may become blocked.
- Always plug appliances directly into a wall outlet/receptacle. Never use an extension cord or relocatable power tap (outlet/power strip).
- Ensure clearances to combustibles are maintained when building a mantel or shelves above the appliance. Elevated temperatures on the wall or in the air above the appliance can cause melting, discolouration or damage to decorations, a T.V. or other electronic components.

3.7C

1.1 DIMENSIONS




1.2 LISTING APPROVALS

This appliance has been tested in accordance with the CSA Standards for fixed and location-dedicated electric room appliances in the United States and Canada. If you need assistance during installation, please contact your local dealer.

NOTE: This appliance must be electrically wired and grounded in accordance with local codes or, in the absence of local codes, with National Electric Code ANSI/NFPA 70-latest edition in the United States or the Canadian Electric Code, CSA C22.1 in Canada.

Model Number	EFL42	NLF42
Description	Wall-Mount Appliance	Wall-Mount Appliance
Voltage	120V AC	120V AC
Watts	Max 1500W	Max 1500W
Amps	15 AMP Grounded Circuit	15 AMP Grounded Circuit
Appliance Width	42" (1067mm)	42" (1067mm)
Appliance Height	18" (457mm)	18" (457mm)
Appliance Depth	4 5/8" (117mm)	4 5/8" (117mm)
Net Weight	20.5 Kg (45lbs)	20.5 Kg (45lbs)
Gross Weight	27.5 Kg (61lbs)	27.5 Kg (61lbs)

1.3 GENERAL INSTRUCTIONS

 WARNING
READ THESE INSTRUCTIONS COMPLETELY BEFORE BEGINNING INSTALLATION. FAILURE TO FOLLOW THEM COULD CAUSE AN APPLIANCE MALFUNCTION RESULTING IN SERIOUS INJURY AND/OR PROPERTY DAMAGE.
ALL ELECTRIC APPLIANCES HAVE HOT AND ARCING OR SPARKING PARTS INSIDE. DO NOT USE IT IN AREAS WHERE GASOLINE, PAINT OR FLAMMABLE LIQUIDS ARE PRESENT.
THIS ELECTRIC APPLIANCE IS TESTED AND LISTED FOR USE ONLY WITH THE OPTIONAL ACCESSORIES LISTED IN THESE INSTRUCTIONS. USE OF OPTIONAL ACCESSORIES NOT SPECIFICALLY TESTED FOR THIS ELECTRIC APPLIANCE COULD VOID THE WARRANTY AND/OR RESULT IN A SAFETY HAZARD.
DO NOT OPEN. RISK OF ELECTRIC SHOCK. NO USER-SERVICEABLE PARTS INSIDE.
DO NOT USE DAMAGED ELECTRICAL CORDS.
SERVICING SHOULD BE DONE ONLY WHILE THE APPLIANCE IS DISCONNECTED FROM THE POWER SUPPLY CIRCUIT.
TO PREVENT ELECTRIC SHOCK MATCH THE WIDE BLADE OF PLUG TO WIDE SLOT OF RECEPTACLE AND FULLY INSERT.

- A. Prior to plugging your appliance into an electrical outlet, verify that the house circuit breakers for the outlet are on.
- B. The appliance may emit a slight, harmless odour when first used. This odour is normal and it is caused by the initial heating of internal appliance elements and will not occur again.
- C. If your appliance does not emit heat, consult the operation section of this manual for further information.
- D. Use with a CSA or UL certified surge protector.
- E. Do not route the power cord directly underneath the appliance.

This electric appliance meets the construction and safety standards of H.U.D. for application in manufactured homes when installed according to these instructions.

4.8B

NOTE: As with most electronic devices, your new electric fireplace has been designed to operate at temperatures between 5°C (41°F) and 35° C (95°F). During the colder winter months, allow the fireplace to reach room temperature before turning it on.

1.4 UNPACKING AND TESTING APPLIANCE

Carefully remove the appliance from the box. Prior to installing the appliance, test to make sure the appliance operates properly by plugging the power supply cord into a conveniently located 120 Volt, 15 Amp grounded outlet.

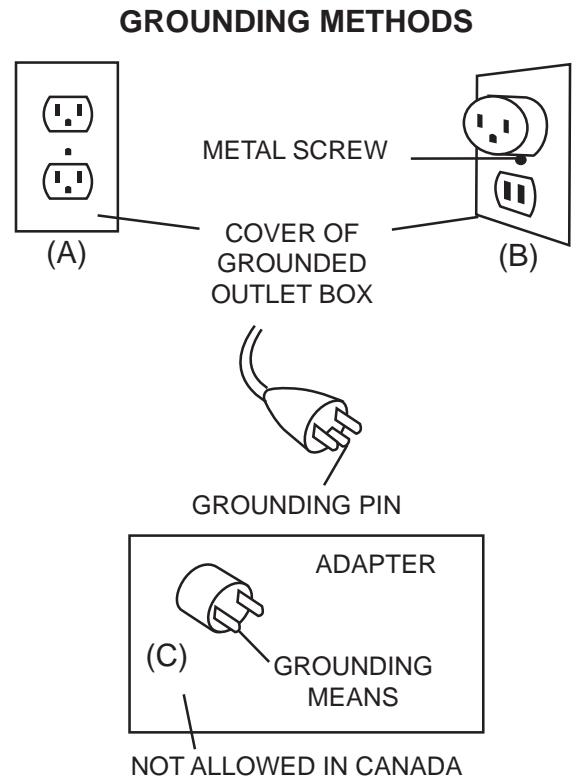
2.0 LOCATING APPLIANCE

! WARNING
DUE TO HIGH TEMPERATURES, THIS ELECTRIC APPLIANCE SHOULD BE LOCATED OUT OF TRAFFIC. KEEP COMBUSTIBLE MATERIALS SUCH AS FURNITURE, PILLOWS, BEDDING, PAPERS, CLOTHES AND CURTAINS AT LEAST 36" FROM THE FRONT OF THE APPLIANCE.
NEVER LOCATE THIS ELECTRIC APPLIANCE WHERE IT MAY FALL INTO A BATHTUB OR OTHER WATER CONTAINER.
WEAR SAFETY GLOVES AND SAFETY GLASSES FOR PROTECTION DURING INSTALLATION AND MAINTENANCE.
TO PREVENT CONTACT WITH SAGGING OR LOOSE INSULATION, THE ELECTRIC APPLIANCE MUST NOT BE INSTALLED AGAINST VAPOR BARRIER OR EXPOSED INSULATION. LOCALIZED OVERHEATING COULD OCCUR AND A FIRE COULD RESULT.
DO NOT EXPOSE THE ELECTRIC APPLIANCE TO THE ELEMENTS (SUCH AS RAIN, ETC.)


2.1 GROUNDING APPLIANCE

This appliance is for use on 120 Volts. The cord has a plug as shown in (A). An adapter as shown in (C) is available for connecting three-blade grounding type plugs to two-slot receptacles. The green grounding lug extending from the adapter must be connected to a permanent ground such as a properly grounded outlet box. The adapter should not be used if a three-slot grounded receptacle is available.

To disconnect appliance, turn controls to off, then remove plug from outlet.



3.0 INSTALLATION

 WARNING
RISK OF FIRE! THE POWER CORD MUST NOT BE PINCHED AGAINST A SHARP EDGE. SECURE CORD TO AVOID TRIPPING OR SNAGGING TO REDUCE THE RISK OF FIRE, ELECTRIC SHOCK OR PERSONAL INJURY. DO NOT RUN CORD UNDER CARPETING. DO NOT COVER CORD WITH THROW RUGS, RUNNERS OR THE LIKE. ARRANGE CORD AWAY FROM TRAFFIC AREAS AND WHERE IT WILL NOT BE TRIPPED OVER.
RISK OF FIRE! TO PREVENT A POSSIBLE FIRE, DO NOT BLOCK AIR INTAKE OR EXHAUST IN ANY MANNER. DO NOT USE ON SOFT SURFACES WHERE OPENINGS MAY BECOME BLOCKED.
RISK OF FIRE! DO NOT BLOW OR PLACE INSULATION AGAINST THE APPLIANCE.
THIS ELECTRIC APPLIANCE IS TESTED AND LISTED FOR USE ONLY WITH THE APPROVED OPTIONAL ACCESSORIES. USE OF OPTIONAL ACCESSORIES NOT SPECIFICALLY TESTED FOR THIS ELECTRIC APPLIANCE COULD VOID THE WARRANTY AND/OR RESULT IN A SAFETY HAZARD.
IF THE INFORMATION IN THESE INSTRUCTIONS IS NOT FOLLOWED EXACTLY, A FIRE OR EXPLOSION MAY RESULT CAUSING PROPERTY DAMAGE, PERSONAL INJURY OR DEATH. DO NOT STORE OR USE GASOLINE OR OTHER FLAMMABLE VAPORS IN THE VICINITY OF THIS OR ANY OTHER APPLIANCE.
THIS APPLIANCE IS HEAVY. IT IS HIGHLY RECOMMENDED THAT TWO PEOPLE INSTALL THIS APPLIANCE.
HEATER VENTS ON THE ELECTRIC APPLIANCE CANNOT, IN ANY WAY, BE COVERED AS IT MAY CREATE A FIRE HAZARD.
DO NOT RUN THE POWER CORD HORIZONTALLY, DIRECTLY BELOW THE APPLIANCE.

68.5A

Your EFL42/NLF42 is a wall-mounted appliance. Select a suitable location that is not susceptible to moisture and is away from drapes, furniture and high traffic areas. **NOTE: Follow all National and local electrical codes.**

3.1 MINIMUM CLEARANCE TO COMBUSTIBLES

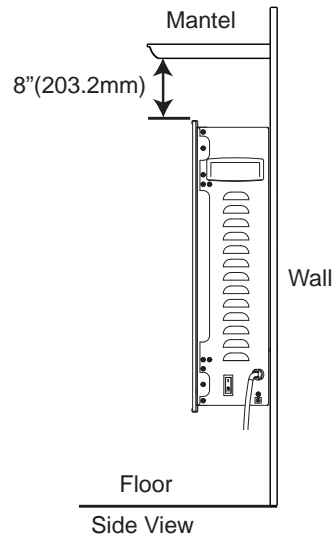
Measurements are taken from the glass front.			
Bottom	0"	Top	8" (203mm) to mantel
Sides	0"	Top	8" (203mm) to ceiling
Back	0"		

NOTE: The power switch is located on the lower right hand side of the appliance. Always ensure that access to this switch remains available.

3.2 MINIMUM MANTEL CLEARANCES

! WARNING

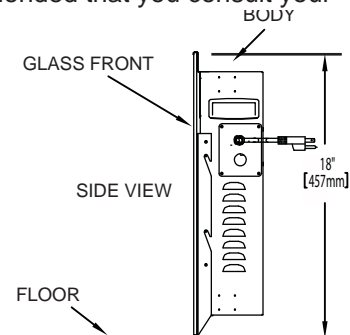
WHEN USING PAINT OR LACQUER TO FINISH THE MANTEL, THE PAINT OR LACQUER MUST BE HEAT RESISTANT TO PREVENT DISCOLOURATION.



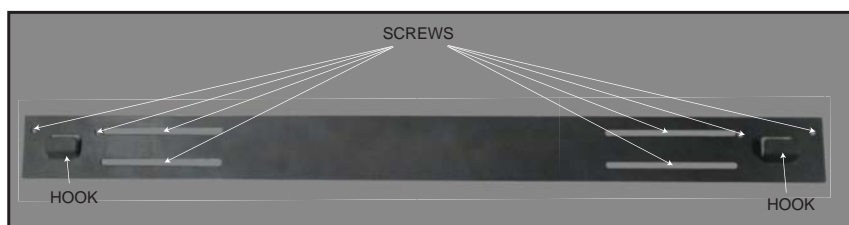
3.3 INSTALLING THE APPLIANCE

Due to the many different materials used on different walls, it is highly recommended that you consult your local builder before you install this appliance on the wall.

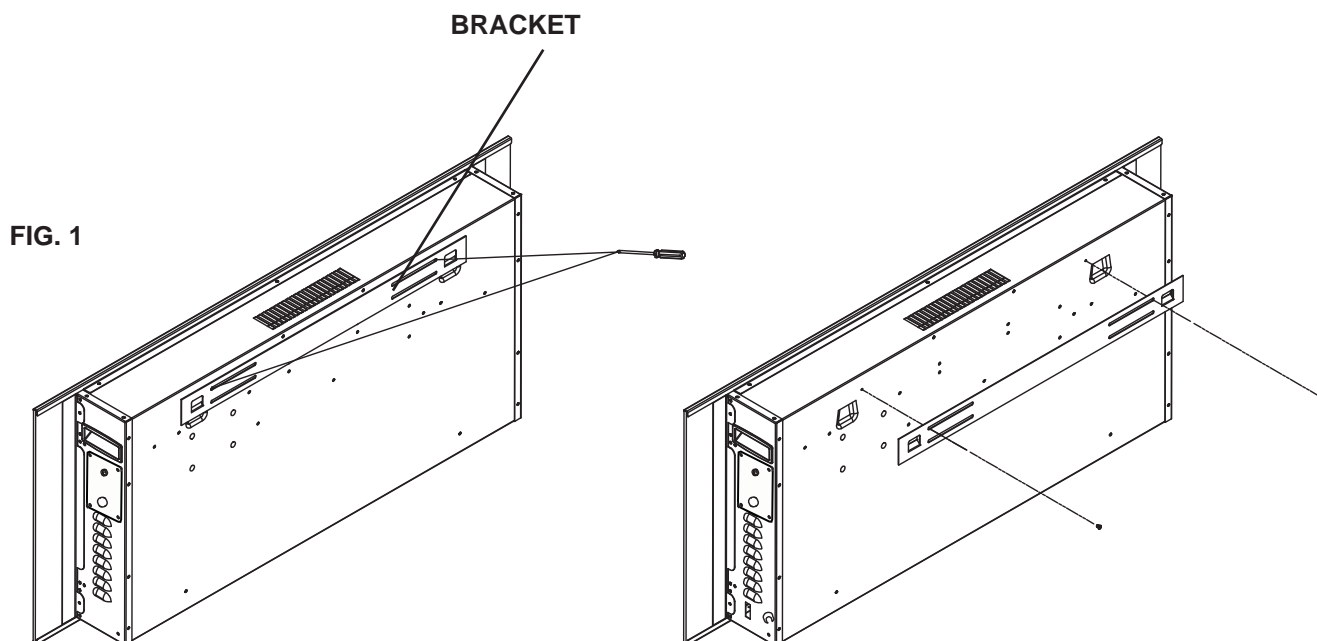
- A. Select a location that is not prone to moisture and is located at least 36" (914mm) away from combustible materials such as curtain drapes, furniture, bedding, paper, etc.
- B. Have two people hold the appliance against the wall to determine the final location.
- C. Remove the bracket from the back of the unit by removing the two screws, refer to Figure 1.



- D. **NOTE:** It is strongly recommended that the mounting bracket be screwed into the wall studs where possible. If the wall studs cannot be used, ensure that the supplied plastic anchors are used to affix the bracket to the wall and the bracket is adequately secured. Mark out location, then mount the bracket onto the wall using the 8 supplied screws. This bracket MUST have the hooks facing upward and be level.



- E. With the wall mounting bracket installed have two people lift the appliance up and insert the two hooks on the bracket into the two slots on the back of the appliance.
- F. Check the appliance for stability ensuring that the bracket will not pull free from the wall.



4.0 FINISHING

! WARNING

POWER SUPPLY SERVICE MUST BE COMPLETED PRIOR TO FINISHING TO AVOID RECONSTRUCTION.

HEAT VENTS AND AIR OPENINGS CANNOT BE COVERED IN ANY CIRCUMSTANCES.

4.1 GLASS DOOR REMOVAL

! WARNING

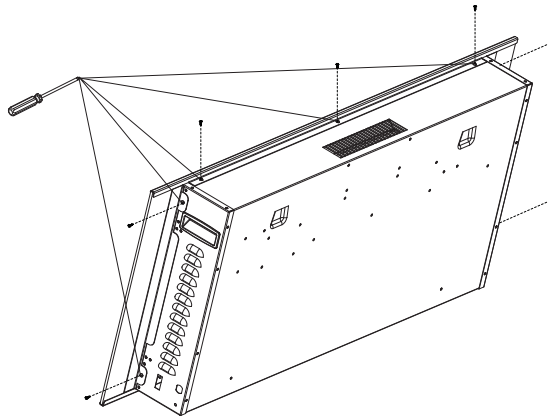
THE DOOR LATCHES ARE PART OF A SAFETY SYSTEM AND MUST BE PROPERLY ENGAGED. DO NOT OPERATE THE APPLIANCE WITH LATCHES DISENGAGED.

FACING AND/OR FINISHING MATERIALS MUST NOT INTERFERE WITH AIR FLOW THROUGH AIR OPENINGS, LOUVRES OPENINGS, OPERATION OF LOUVRES OR DOORS OR ACCESS FOR SERVICE. OBSERVE ALL CLEARANCES WHEN APPLYING COMBUSTIBLE MATERIALS.

BEFORE DOOR IS REMOVED TURN THE APPLIANCE OFF AND WAIT UNTIL APPLIANCE IS COOL TO THE TOUCH. DOORS ARE HEAVY AND FRAGILE SO HANDLE WITH CARE.

75.1

- A. Remove the 7 screws, as shown in the illustration below.
- B. Tilt the top of the door forward until you can hold the sides of the door. Lift the door up and out of the bottom retainer.



4.2 CRYSTAL EMBER INSTALLATION

Glass front must be removed and the appliance must be mounted in its final location before the crystal embers are installed.

- A. **CLEAN CRYSTAL MEDIA:** Crystal media may have a fine oil residue that needs to be cleaned prior to installation. Clean the crystal with mild dish soap, drain, rinse thoroughly and dry before placing into the tray.
- B. Carefully place crystal embers into the bottom tray on the front of the appliance as illustrated. Apply an even layer from side to side.



5.0 OPERATING INSTRUCTIONS

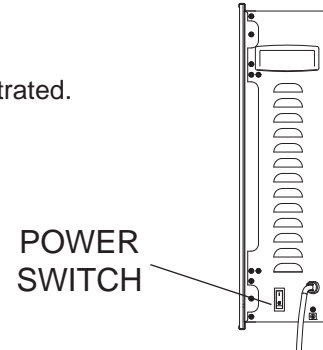
Once the appliance has been plugged into a grounded electrical outlet, it is ready to operate.

NOTE: Ensure the house circuit breakers for the power supply are turned on. In the event of a power failure, when the main power switch of the appliance is in the "I" ON position and the hand held remote control is in the OFF position, the flame generation lights will come back on at the high setting, when the power supply returns.

5.1 MAIN POWER SWITCH








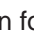
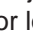





The Main Power Switch is located on the right side of the appliance as illustrated.

The "I" indicates ON and "O" indicates OFF. Push the switch to "I" to turn on the appliance and the flame effect.



5.2 OPERATING BY REMOTE CONTROL

NOTE: Make certain new batteries are installed correctly.

- A. Plug in your electric appliance.
- B. Make certain the appliance's Main Power Switch is at the ON position! The remote control will NOT work if the Main Power Switch is at the OFF position.
- C. When operating the remote control, it must be directed towards the front center of the appliance.
- D. The  button at the top left of the remote can be used to power up or down the appliance (the main power switch on the appliance must be in the ON position for the remote to operate). Pressing this button activates the power to the appliance.
- E. To activate flame, press the "FLAME"   button and then to adjust the flame height press the " +5" or " -5" buttons. There are five levels of flame effects.
- F. To activate the heater, press the "HEAT"   button. The initial set-up heat level will be set for high heat, to adjust the heat level choose the   button for high heat (1500W) or  button for low heat (750W). Adjusting to auto control by room temperature press the "ROOM TEMP"  button, the heater turns on when room temperature is below 21°C (70°F). the heater will turn off when the room temperature is above 25°C (77°F).
- G. To adjust the blue flame press the " +5" or " -5" buttons. There are five levels of flame effects.
- H. To turn off the appliance, press the button  once.



NOTE: This remote control must remain within 8 meters or 26 feet of the appliance to be effective and this range may be reduced as the battery power is depleted.

6.0 MAINTENANCE

6.1 FUSE REPLACEMENT

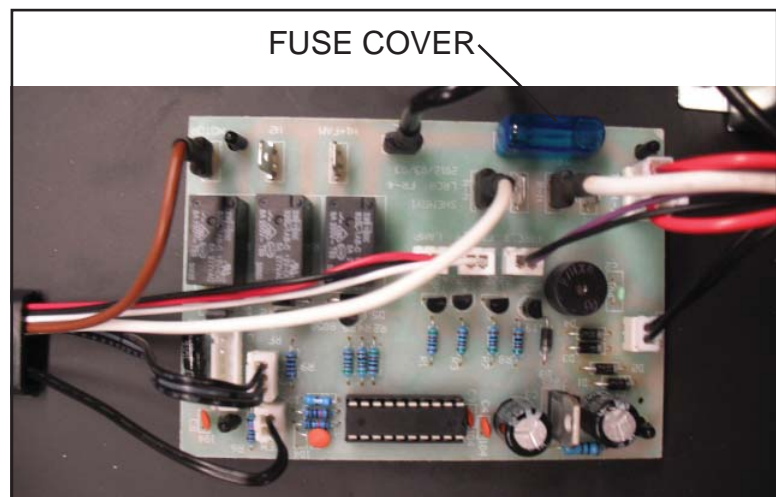
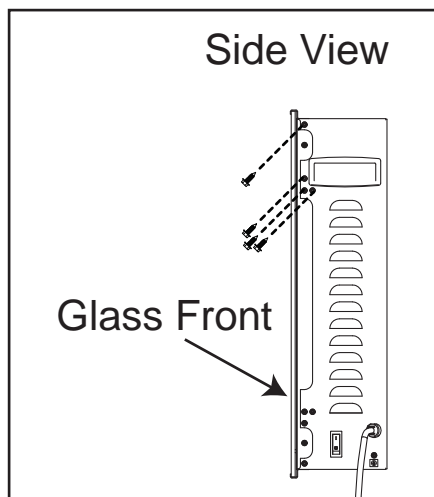
 **WARNING**
PREPARATION FOR MAINTENANCE

ALWAYS DISCONNECT THE POWER AND ALLOW THE ELECTRIC APPLIANCE TO COOL BEFORE PERFORMING ANY CLEANING, MAINTENANCE OR RELOCATION OF THIS ELECTRIC APPLIANCE. TURN CONTROLS TO OFF AND REMOVE PLUG FROM OUTLET OR TURN OFF THE HOUSE CIRCUIT BREAKER TO ELECTRIC APPLIANCE RECEPTACLE.

DO NOT INSTALL REPLACEMENT LAMPS THAT EXCEED SPECIFIED MAXIMUM WATTS.

To replace the fuse remove the glass door see "GLASS DOOR REMOVAL" section.

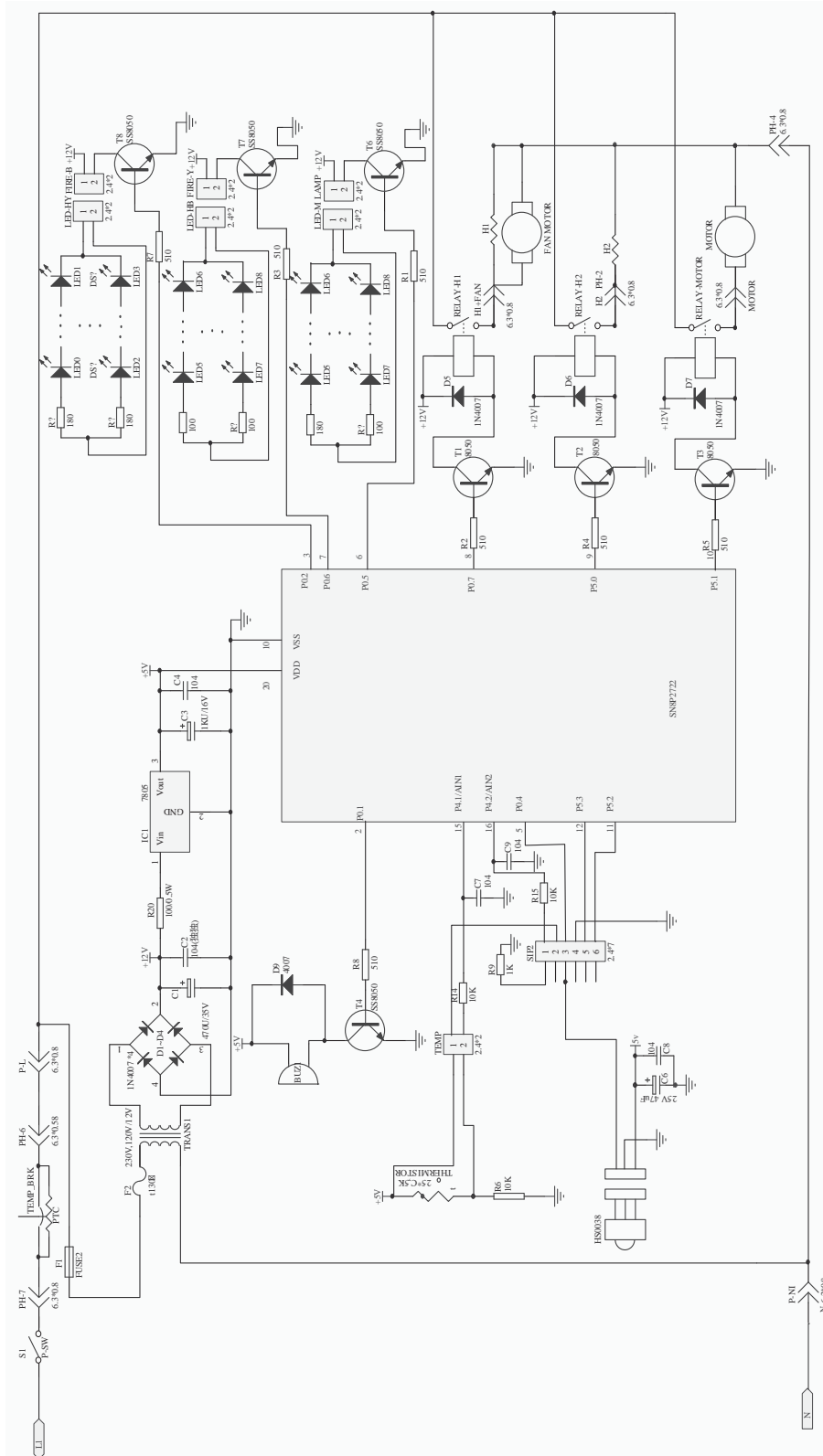
- A. Remove the glass media from the appliance, glass embers may have sharp edges, wear safety glasses and gloves when handling.
- B. Remove 4 screws on each side of the appliance that secure the firebox front and mirror glass holder and remove from the appliance, the circuit board will become visible, as shown below
- C. Remove the mirror glass prior to accessing the circuit board.
- D. Remove the fuse cover to gain access to the fuse and replace the existing fuse with the new fuse.



7.0 WIRING DIAGRAM

! WARNING
TURN OFF THE APPLIANCE COMPLETELY AND LET COOL BEFORE SERVICING. ONLY A QUALIFIED SERVICE PERSON SHOULD SERVICE AND REPAIR THIS ELECTRIC APPLIANCE.

EN



8.0 REPLACEMENT PARTS

Contact your dealer or the factory for questions concerning prices and policies on replacement parts. Normally all parts can be ordered through your Authorized dealer / distributor.

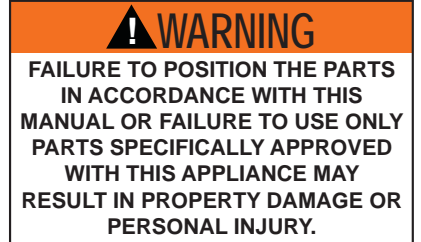
FOR WARRANTY REPLACEMENT PARTS, A PHOTOCOPY OF THE ORIGINAL INVOICE WILL BE REQUIRED TO HONOUR THE CLAIM.

When ordering replacement parts always give the following information:

- Model & Serial Number of appliance
- Installation date of appliance
- Part number
- Description of part
- Finish

* IDENTIFIES ITEMS WHICH ARE NOT ILLUSTRATED. FOR FURTHER INFORMATION, CONTACT YOUR AUTHORIZED DEALER.

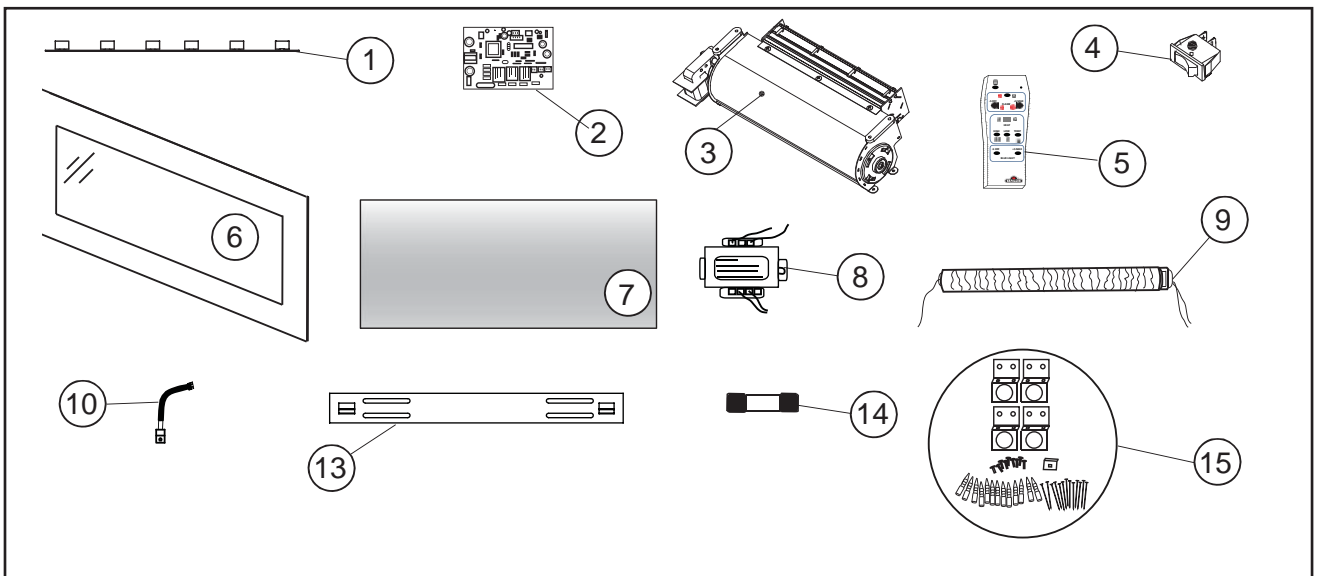
41.1



For aftermarket sales and service please call 1-866-539-2039

COMPONENTS		
REF NO.	PART NO.	DESCRIPTION
1	W405-0008	LED CIRCUIT BOARD FOR EMBER BED
2	W190-0050	CIRCUIT BOARD
3	W062-0047	BLOWER AND HEATER ASSEMBLY
4	W660-0128	SWITCH (RK1-11)
5	W190-0051	REMOTE CONTROL
6	W300-0155	FRONT GLASS
7	W300-0156	MIRROR GLASS
8	W707-0016	TRANSFORMER
9	W010-2918	DRUM ASSEMBLY
10	W660-0129	REMOTE RECEIVER
11*	W300-0178	CRYSTAL,(0.54kg (1.2lbs)
12*	W435-0055	120V 30/36RPM, MOTOR
13	W080-1282	BRACKET
14	W285-0006	FUSE
15	W020-0879	HARDWARE KIT

NOTE: Care must be taken when removing and disposing of any broken glass or damaged components. Be sure to vacuum up any broken glass from inside the appliance before operation.



9.0 TROUBLESHOOTING

! WARNING

TURN OFF THE APPLIANCE COMPLETELY AND LET COOL BEFORE SERVICING. ONLY A QUALIFIED SERVICE PERSON SHOULD SERVICE AND REPAIR THIS ELECTRIC APPLIANCE.

EN

SYMPTOM	PROBLEM	TEST SOLUTION
Dim or no flame	Drum LED's are burnt out	Inspect the LED's inside the flame generation cylinder drum (W010-2918) and replace them if necessary
Ember bed is not glowing or dimming	Ember LED's are burnt out	Inspect the ember bed LED's (W405-0008) and replace them if necessary
No warm air coming out of appliance	Room temperature is higher than the appliance setting (if it is set to room temperature)	Set the appliance to a high or low heat setting.
	Heater is burnt out	Inspect the burner and heater assembly (W062-0047) and replace it if necessary
Appliance turns off and will not turn on	Appliance has overheated and safety device has caused the thermal switch to disconnect	Unplug the appliance, allow appliance to cool for 15 minutes, then plug it back in
	House circuit breaker has tripped	Reset house circuit breaker
	Appliance's fuse has blown	Replace the fuse
Appliance will not come on when switch is flipped to ON	Appliance is not plugged into an electrical outlet	Check plug and plug it in
	Appliance has overheated and safety device has caused the thermal switch to disconnect	Unplug the appliance, allow appliance to cool for 15 minutes, then plug it back in
	Circuit board is burnt out	Inspect the circuit board (W190-0050) and replace it if necessary
Remote control does not work	Low batteries	Replace batteries in remote control
Heater shuts off automatically	Room is too warm	The heater has a built-in thermostat so it will shut off automatically once the pre-set temperature is reached. It will also turn on automatically if the room temperature drops below the pre-set temperature

10.0 WARRANTY

NAPOLEON electric appliances are manufactured under the strict Standard of the world recognized ISO 9001 : 2008 Quality Assurance Certificate.

NAPOLEON products are designed with superior components and materials, assembled by trained craftsmen who take great pride in their work. Once assembled the complete appliance is thoroughly inspected by a qualified technician before packing to ensure that you , the customer, receive the quality product that you expect from NAPOLEON.

NAPOLEON ELECTRIC APPLIANCE LIMITED WARRANTY

Electrical components and wearable parts such as fan/heater, motors, switches, nylon bearing components and remote controls are covered and NAPOLEON will provide replacement parts free of charge during the first year of limited warranty. Light bulbs and fuses are NOT covered by the warranty.

Any labour related to warranty repair is not covered.

* Construction of models vary. Warranty applies only to components included with your specific appliance.

CONDITIONS AND LIMITATIONS

NAPOLEON warrants its products against manufacturing defects to the original purchaser only. Registering your warranty is not necessary. Simply provide your proof of purchase along with the model and serial number to make a warranty claim. NAPOLEON reserves the right to have its representative inspect any product or part thereof prior to honouring any warranty claim. Provided that the purchase was made through an authorized NAPOLEON dealer your appliance is subject to the following conditions and limitations:

Warranty coverage begins on the date of original installation.

This factory warranty is non-transferable and may not be extended whatsoever by any of our representatives.

Installation must be done in accordance with the installation instructions included with the product and all local and national building and fire codes. This limited warranty does not cover damages caused by misuse, lack of maintenance, accident, alterations, abuse or neglect and parts installed from other manufacturers will nullify this warranty.

This limited warranty further does not cover any scratches, dents, corrosion or discoloring caused by excessive heat, abrasive and chemical cleaners nor chipping on porcelain enamel parts, mechanical breakage of PHAZER™ logs.

In the first year only, this warranty extends to the repair or replacement of warranted parts which are defective in material or workmanship provided that the product has been operated in accordance with the operation instructions and under normal conditions.

NAPOLEON will not be responsible for installation, labour or any other expenses related to the reinstallation of a warranted part and such expenses are not covered by this warranty. Notwithstanding any provisions contained in the Limited Warranty, NAPOLEON's responsibility under this warranty is defined as above and it shall not in any event extend to any incidental, consequential or indirect damages.

This warranty defines the obligations and liability of NAPOLEON with respect to the NAPOLEON electric appliance and any other warranties expressed or implied with respect to this product, its components or accessories are excluded.

NAPOLEON neither assumes, nor authorizes any third party to assume, on its behalf, any other liabilities with respect to the sale of this product.

Any damages to appliance, brass trim or other component due to water, weather damage, long periods of dampness, condensation, damaging chemicals or cleaners will not be the responsibility of NAPOLEON.

The bill of sale or copy will be required together with a serial number and a model number when making any warranty claims from your authorized dealer. The warranty registration card must be returned within fourteen days to register the warranty.

NAPOLEON reserves the right to have its representative inspect any product or part thereof prior to honouring any warranty claim.

All parts replaced under the Limited Warranty Policy are subject to a single claim.

All parts replaced under the warranty will be covered for a period of 90 days from the date of their installation.

The manufacturer may require that defective parts or products be returned or that digital pictures be provided to support the claim. Returned products are to be shipped prepaid to the manufacturer for investigation. If a product is found to be defective, the manufacturer will repair or replace such defect.

Before shipping your appliance or defective components, your dealer must obtain an authorization number. Any merchandise shipped without authorization will be refused and returned to sender.

Shipping costs are not covered under this warranty.

Additional service fees may apply if you are seeking warranty service from a dealer.

ALL SPECIFICATIONS AND DESIGNS ARE SUBJECT TO CHANGE WITHOUT PRIOR NOTICE DUE TO ON-GOING PRODUCT IMPROVEMENTS.
NAPOLEON IS A REGISTERED TRADEMARK OF WOLF STEEL LTD.

Other Napoleon Products



Fireplace Inserts • Charcoal Grills • Gas Fireplaces • Waterfalls • Wood Stoves
Heating & Cooling • Electric Fireplaces • Outdoor Fireplaces • Gas Grills



24 Napoleon Road, Barrie, Ontario, Canada L4M 0G8
214 Bayview Drive, Barrie, Ontario, Canada L4N 4Y8
103 Miller Drive, Crittenden, Kentucky, USA 41030
7200 Trans Canada Highway, Montreal, Quebec, Canada H4T 1A3

Fireplaces / Heating & Cooling call: 705-721-1212 • Grills call: 705-726-4278
napoleonproducts.com

INSTALLATEUR : LAISSEZ CE MANUEL AVEC L'APPAREIL.
PROPRIÉTAIRE : CONSERVEZ CE MANUEL POUR CONSULTATION ULTÉRIEURE.
NE LAISSEZ PAS LES ENFANTS OU AUTRES INDIVIDUS À RISQUE SEULS À PROXIMITÉ DE L'APPAREIL

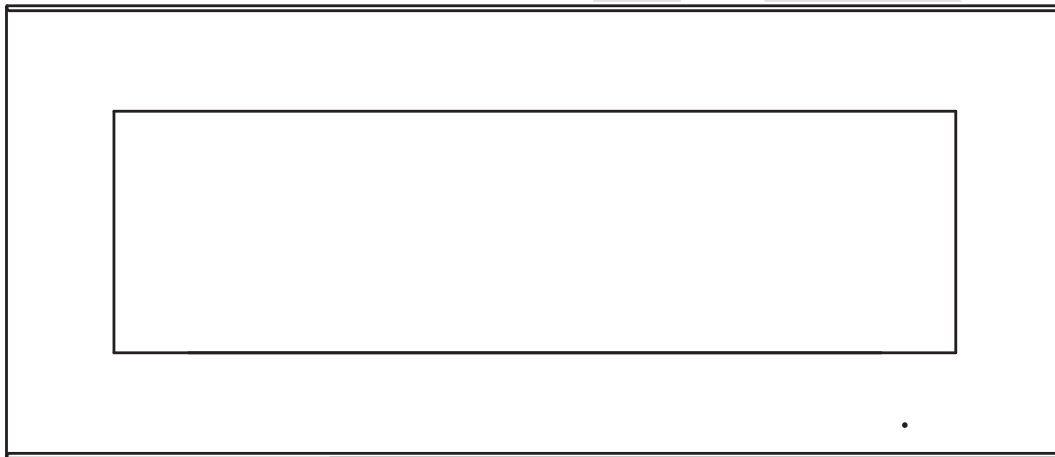


INSTRUCTIONS D'INSTALLATION ET D'OPÉRATION

FR

HOMOLOGUÉ SELON LES NORMES NATIONALES CANADIENNES ET AMÉRICAINES: CSA C22.2 No-46 / UL 1278

Napoleon 42" FOYER ÉLECTRIQUE



CONSIGNES DE SÉCURITÉ

AVERTISSEMENT

Si ces instructions ne sont pas suivies à la lettre, un incendie pourraient s'ensuivre causant des dommages matériels, des blessures corporelles ou des pertes de vie.

- N'entrez pas et n'utilisez pas d'essence ou autres liquides et vapeurs inflammables à proximité de cet appareil ou tout autre appareil.



Système de qualité certifié
ISO
9001-2008



APPOSEZ L'ÉTIQUETTE DU NUMÉRO DE SÉRIE DU CARTON



Wolf Steel Ltd., 24 Napoleon Rd., Barrie, ON, L4M 0G8 Canada /
103 Miller Drive, Crittenden, Kentucky, USA, 41030

Téléphone 705-721-1212 • Télécopieur 705-722-6031 • www.napoleonfoyers.com • hearth@napoleonproducts.com

10,00 \$

1.16E

W415-1134 / B / 07.13.15

TABLE DES MATIÈRES

1.0	INTRODUCTION	23
1.1	DIMENSIONS	24
1.2	HOMOLOGATIONS	24
1.3	INSTRUCTIONS GÉNÉRALES	25
1.4	DÉBALLAGE ET VÉRIFICATION DE L'APPAREIL	25
2.0	EMPLACEMENT DE L'APPAREIL	26
2.1	MISE À LA TERRE DE L'APPAREIL	26
3.0	INSTALLATION	27
3.1	DÉGAGEMENTS MINIMAUX AUX MATÉRIAUX COMBUSTIBLES	28
3.2	DÉGAGEMENTS MINIMAUX DE LA TABLETTE	28
3.3	INSTALLATION DE L'APPAREIL	29
4.0	FINITIONS	30
4.1	L'ENLÈVEMENT DU PORTE VITRÉE	30
4.2	L'INSTALLATION DES BRAISE DE VERRE	30
5.0	INSTRUCTIONS DE FONCTIONNEMENT	31
5.1	INTERRUPTEUR	31
5.2	UTILISATION DU PANNEAU DE CONTRÔLE	31
6.0	ENTRETIEN	32
6.1	REPLACEMENT DE FUSIBLE	32
7.0	SCHÉMA DE CÂBLAGE	33
8.0	RECHANGES	34
9.0	GUIDE DE DÉPANNAGE	35
10.0	GARANTIE	36
11.0	HISTORIQUE D'ENTRETIEN	37
12.0	NOTES	38

NOTE: Les changements autres que de nature éditoriale sont dénotés par une ligne verticale dans la marge.

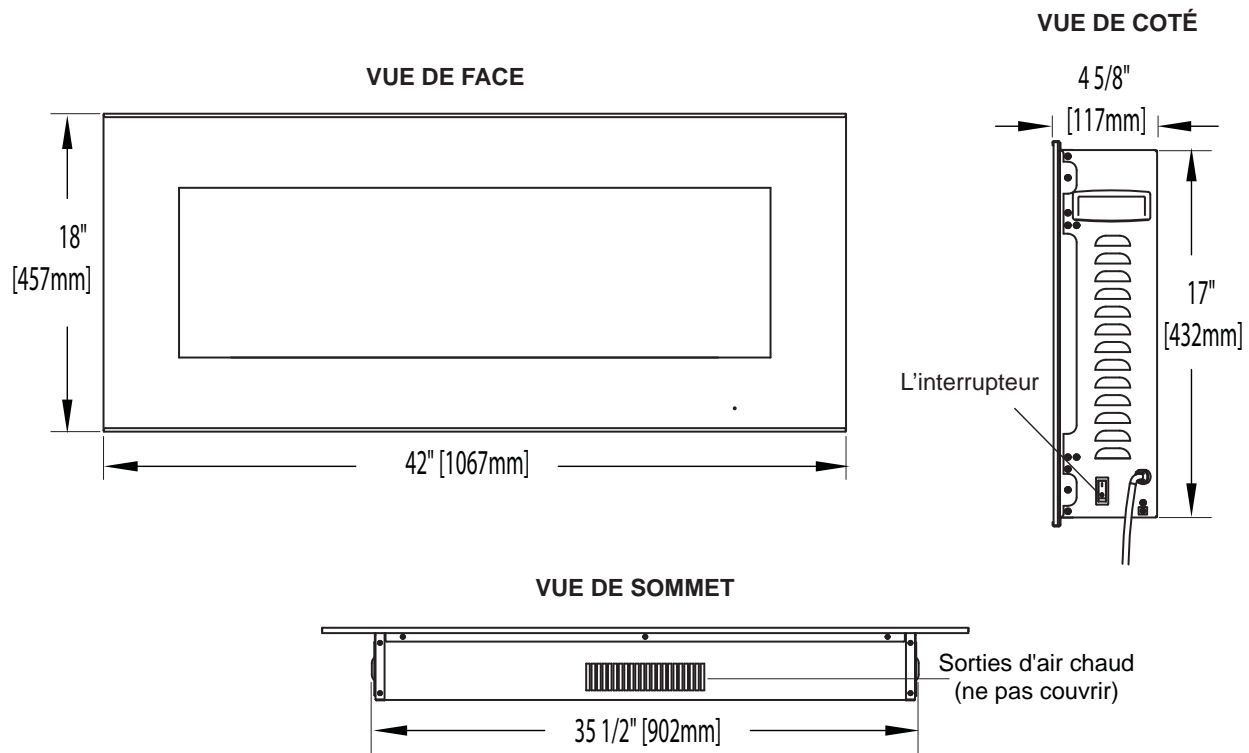
1.0 INTRODUCTION

! AVERTISSEMENT

- **CET APPAREIL EST CHAUD LORSQU'IL FONCTIONNE ET PEUT CAUSER DE GRAVES BRÛLURES EN CAS DE CONTACT.**
- Ne faites pas fonctionner l'appareil avant d'avoir lu et compris les instructions d'utilisation. Ne pas respecter les instructions pourrait causer un incendie ou des blessures corporelles.
- Risque de brûlures. L'appareil doit être éteint et refroidi avant d'effectuer l'entretien. Pour débrancher l'appareil, mettez d'abord les boutons de contrôle à « OFF » puis retirez la fiche de la prise de courant.
- N'installez pas de composants endommagés ou incomplets ni des composants de substitution.
- Ne brûlez pas de bois ou autres matériaux dans cet appareil.
- Les jeunes enfants doivent être supervisés attentivement lorsqu'ils sont dans la même pièce que l'appareil. Les jeunes enfants et autres personnes sont sujets aux brûlures accidentelles. Une barrière de protection est recommandée s'il y a dans la maison des individus à risque. Afin de restreindre l'accès à l'appareil, installez une barrière de protection ajustable pour garder les jeunes enfants ou autres personnes à risque hors de la pièce et loin des surfaces chaudes.
- Les vêtements et autres matériaux combustibles ne doivent pas être posés sur l'appareil ou à proximité.
- En raison des températures élevées, l'appareil devrait être placé loin des endroits passants et loin des meubles et des rideaux.
- Assurez-vous de disposer de mesures de sécurité adéquates pour empêcher les jeunes enfants de toucher aux surfaces chaudes.
- Même lorsque l'appareil est éteint, la porte et l'écran demeureront chauds pendant un bon moment.
- Consultez votre détaillant local de foyer pour connaître les grillages de sécurité et les écrans offerts pour protéger les enfants des surfaces chaudes. Ces grillages de sécurité et ces écrans doivent être fixés au plancher.
- Les grillages de sécurité ou écrans enlevés pour faire l'entretien devront être remis en place avant d'utiliser l'appareil.
- Il est primordial de garder propres les compartiments de contrôle, la soufflerie et les bouches d'air de l'appareil. L'appareil doit être inspecté avant la première utilisation et au moins une fois l'an par un spécialiste en entretien. Un entretien plus fréquent pourrait être nécessaire en raison des peluches provenant des tapis, literie, etc. L'emplacement de l'appareil doit être gardé libre de tous matériaux combustibles, essence ou autres liquides et vapeurs inflammables.
- Cet appareil ne devra être modifié en aucun cas.
- N'utilisez pas cet appareil si une partie quelconque a été submergée. Contactez immédiatement un technicien de service qualifié pour inspecter l'appareil et pour remplacer toute pièce du système de contrôle qui aurait été submergée.
- Ne pas opérer l'appareil lorsque la porte vitrée est enlevée, fissurée ou brisée. Le remplacement de la vitre devra être effectué par un technicien de service certifié ou qualifié.
- Ne frappez pas et ne claquez pas la porte vitrée de l'appareil.
- Les matériaux d'emballage doivent être gardés hors de la portée des enfants et mis au rebut de façon sécuritaire. Comme tous les emballages de plastique, ceux-ci ne sont pas des jouets et doivent demeurer hors de la portée des enfants et des bébés.
- L'entretien ne doit être effectué que lorsque l'appareil est débranché du circuit électrique.
- Débranchez toujours l'appareil lorsqu'il n'est pas utilisé.
- N'utilisez pas l'appareil si le cordon d'alimentation ou la fiche sont endommagés, s'il ne fonctionne pas bien, ou s'il a été échappé ou endommagé d'une quelconque façon. Retournez l'appareil à un centre de service autorisé pour une inspection, des ajustements électriques ou mécaniques ou une réparation.
- N'utilisez pas cet appareil à l'extérieur.
- Ne placez jamais l'appareil à un endroit où il risque de tomber dans une baignoire ou tout autre réservoir contenant de l'eau.
- Ne passez pas le cordon d'alimentation sous un tapis. Ne recouvrez pas le cordon avec des carpettes, des tapis de couloir ou autres revêtements similaires. Évitez de placer le cordon dans un endroit passant ou à un endroit où il risque de causer des chutes.
- Branchez seulement dans une prise de courant adéquatement mise à la terre.
- N'insérez pas d'objets dans les ouvertures d'entrée d'air ou de sortie d'air puisque cela risque d'endommager l'appareil ou causer des chocs électriques ou un incendie.
- Pour prévenir les risques d'incendie, ne bloquez pas les entrées d'air et les sorties d'air de quelque manière que ce soit. Ne placez pas cet appareil sur une surface molle telle qu'un tapis où les ouvertures pourraient se bloquer.
- Branchez toujours les appareils directement dans une prise de courant. N'utilisez jamais de rallonge ou de prise électrique relogable (prise/barre d'alimentation).
- Assurez-vous de respecter les dégagements aux matériaux combustibles lorsque vous installez un manteau ou des tablettes au-dessus de l'appareil. Les téléviseurs et autres composants électroniques soumis à des températures élevées peuvent fondre, se déformer, se décolorer et entraîner des défaillances prématurées de ces appareils.

FR

1.1 DIMENSIONS




1.2 HOMOLOGATIONS

Cet appareil a été testé selon les normes CSA pour foyers électriques installés de façon permanente aux États-Unis et au Canada. Si vous avez besoin d'assistance durant l'installation, veuillez contacter votre détaillant local.

NOTE: Cet appareil doit être raccordé électriquement et mis à la terre selon les codes locaux ou, en l'absence de tels codes, avec le National Electrical Code ANSI/NFPA 70-la dernière édition aux États-Unis ou le Code canadien de l'électricité CSA C22.1 au Canada.

Numéro de modèle	EFL42	NLF42
Description	Installation murale	Installation murale
Tension	120 V CA	120 V CA
Puissance	Max 1500 W	Max 1500 W
Ampères	15 A circuit mis à la terre	15 A circuit mis à la terre
Largeur	42" (1067mm)	42" (1067mm)
Hauteur	18" (457mm)	18" (457mm)
Profondeur	4 5/8" (117mm)	4 5/8" (117mm)
Poids Net	20.5 Kg (45lbs)	20.5 Kg (45lbs)
Poids brut	27.5 Kg (61lbs)	27.5 Kg (61lbs)

1.3 INSTRUCTIONS GÉNÉRALES

 AVERTISSEMENT
VEUILLEZ LIRE LE MANUEL D'INSTRUCTIONS EN ENTIER AVANT DE COMMENCER L'INSTALLATION. OMETTRE DE SUIVRE CES INSTRUCTIONS POURRAIT CAUSER UN MAUVAIS FONCTIONNEMENT DE L'APPAREIL ET ENTRAÎNER DES BLESSURES GRAVES ET/OU DES DOMMAGES MATÉRIELS.
TOUS LES APPAREILS ÉLECTRIQUES CONTIENNENT DES COMPOSANTS INTERNES QUI DEVIENNENT CHAUDS ET QUI PRODUISENT DES ÉTINCELLES. N'UTILISEZ PAS CET APPAREIL DANS DES ENDROITS OÙ DE L'ESSENCE, DES PEINTURES OU D'AUTRES LIQUIDES INFLAMMABLES SONT PRÉSENTS.
CET APPAREIL ÉLECTRIQUE A ÉTÉ TESTÉ ET HOMOLOGUÉ POUR USAGE AVEC LES ACCESSOIRES OPTIONNELS LISTÉS DANS CE MANUEL UNIQUEMENT. L'UTILISATION D'ACCESSOIRES OPTIONNELS QUI N'ONT PAS ÉTÉ SPÉCIFIQUEMENT TESTÉS POUR CET APPAREIL ÉLECTRIQUE ANNULERA LA GARANTIE DE L'APPAREIL ET/OU PRÉSENTERA DES RISQUES POUR LA SÉCURITÉ.
NE PAS OUVRIR. RISQUE DE CHOC ÉLECTRIQUE. AUCUNE PIÈCE RÉPARABLE PAR L'UTILISATEUR À L'INTÉRIEUR.
N'UTILISEZ PAS DE CORDONS D'ALIMENTATION ENDOMMAGÉS.
L'ENTRETIEN NE DOIT ÊTRE EFFECTUÉ QUE LORSQUE L'APPAREIL EST DÉBRANCHÉ DU CIRCUIT ÉLECTRIQUE.
POUR ÉVITER LES CHOCs ÉLECTRIQUES, INTRODUISEZ LA BRANCHE LA PLUS LARGE DE LA FICHE DANS LA FENTE CORRESPONDANTE DE LA PRISE ET INSÉREZ JUSQU'AU FOND.

- A. Avant de brancher votre appareil dans une prise de courant, vérifiez si le disjoncteur de la maison pour ce circuit est allumé.
- B. Il est possible que l'appareil dégage une légère odeur inoffensive lors de la première utilisation. Cela est une condition normale causée par le chauffage initial des éléments de l'appareil. Elle ne se reproduira plus.
- C. Si votre appareil n'émet pas de chaleur, consultez la section « Fonctionnement » de ce manuel pour de plus amples renseignements.
- D. Utilisez avec un limiteur de surtension certifié CSA ou UL.
- E. Ne faites pas passer le cordon d'alimentation directement sous l'appareil.

Cet appareil électrique répond aux normes de construction et de sécurité du H.U.D. pour des applications dans des maisons préfabriquées lorsque installé selon ces instructions.

4.8B

Comme avec la plupart des appareils électroniques, votre nouveau foyer électrique a été conçu pour fonctionner à des températures comprises entre 5 ° C (41 ° F) et 35 ° C (95 ° F). Pendant les mois froids de l'hiver, la cheminée permet d'atteindre la température ambiante avant de l'allumer.

1.4 DÉBALLAGE ET VÉRIFICATION DE L'APPAREIL

Retirez soigneusement l'appareil de la boîte. Avant d'installer l'appareil, assurez-vous qu'il fonctionne bien en branchant le cordon d'alimentation dans une prise de courant mise à la terre de 120 V.

2.0 EMBLACEMENT DE L'APPAREIL

! AVERTISSEMENT

EN RAISON DES TEMPÉRATURES ÉLEVÉES, L'APPAREIL DEVRAIT ÊTRE PLACÉ LOIN DES ENDROITS PASSANTS. GARDEZ TOUS LES ARTICLES COMBUSTIBLES TELS QUE LES MEUBLES, LES OREILLERS, LA LITERIE, LE PAPIER, LES VÊTEMENTS ET LES RIDEAUX À UNE DISTANCE D'AU MOINS 3 PIEDS (0,9 MÈTRE) DE LA FAÇADE DE L'APPAREIL.

NE PLACEZ JAMAIS L'APPAREIL ÉLECTRIQUE À UN ENDROIT OÙ IL RISQUE DE TOMBER DANS UNE BAIGNOIRE OU TOUT AUTRE RÉSERVOIR CONTENANT DE L'EAU.

PORTEZ DES GANTS DE PROTECTION ET DES LUNETTES DE SÉCURITÉ LORS DE L'INSTALLATION ET DE L'ENTRETIEN.

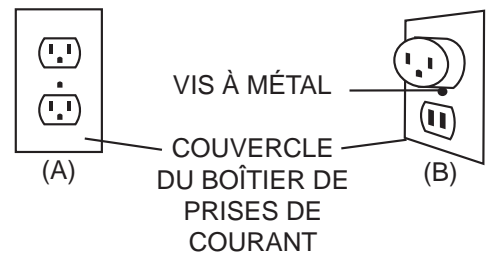
AFIN D'ÉVITER TOUT CONTACT AVEC DE L'ISOLANT QUI S'AFFAISSE, L'APPAREIL ÉLECTRIQUE NE DOIT PAS ÊTRE INSTALLÉ CONTRE UN COUPE-VAPEUR OU DE L'ISOLANT À DÉCOUVERT. UNE SURCHAUFFE LOCALISÉE PEUT SURVENIR ET UN INCENDIE POURRAIT S'ENSUIVRE.

L'APPAREIL ÉLECTRIQUE NE DOIT PAS ÊTRE EXPOSÉ AUX CONDITIONS EXTÉRIEURES (PAR EX. LA PLUIE).

2.1 MISE À LA TERRE DE L'APPAREIL

Cet appareil doit être branché sur un circuit de 120 volts. Son cordon d'alimentation est équipé d'une fiche comme illustré en (A) ci-contre. Un adaptateur, tel qu'illustré en (C), est disponible pour brancher des fiches à trois branches avec mise à la terre dans des prises à deux fentes. La patte verte de mise à la terre de l'adaptateur doit être branchée dans une prise de courant mise à la terre de façon permanente telle qu'un boîtier de prises de courant mis à la terre. L'adaptateur ne doit pas être utilisé si une prise de courant mise à la terre à trois fentes est disponible.

Pour débrancher l'appareil, mettez les boutons de contrôle à « OFF » puis retirez la fiche de la prise de courant.

MÉTHODES DE MISE À LA TERRE


BROCHE DE MISE À LA TERRE



INTERDIT AU CANADA

96.1

3.0 INSTALLATION

 AVERTISSEMENT
RISQUE D'INCENDIE! LE CORDON D'ALIMENTATION NE DOIT PAS ÊTRE COINCÉ CONTRE UNE ARÊTE VIVE. FIXEZ LE CORDON POUR ÉVITER LES CHUTES OU LES ACCROCHAGES AFIN DE RÉDUIRE LE RISQUE D'INCENDIE, DE CHOC ÉLECTRIQUE OU DE BLESSURES CORPORELLES. NE PASSEZ PAS LE CORDON D'ALIMENTATION SOUS UN TAPIS. NE RECOUVREZ PAS LE CORDON AVEC DES CARPETTES, DES TAPIS DE COULOIR OU AUTRES REVÊTEMENTS SIMILAIRES. ÉVITEZ DE PLACER LE CORDON DANS UN ENDROIT PASSANT OU À UN ENDROIT OÙ IL RISQUE DE CAUSER DES CHUTES.
RISQUE D'INCENDIE! POUR PRÉVENIR LES RISQUES D'INCENDIE, NE BLOQUEZ PAS LES ENTRÉES D'AIR ET LES SORTIES D'AIR DE QUELQUE MANIÈRE QUE CE SOIT. NE PLACEZ PAS CET APPAREIL SUR UNE SURFACE MOLLE OÙ LES OUVERTURES POURRAIENT SE BLOQUER.
RISQUE D'INCENDIE! NE SOUFFLEZ PAS OU NE PLACEZ PAS D'ISOLANT CONTRE L'APPAREIL.
CET APPAREIL ÉLECTRIQUE A ÉTÉ TESTÉ ET HOMOLOGUÉ POUR USAGE AVEC LES ACCESSOIRES OPTIONNELS LISTÉS DANS CE MANUEL UNIQUEMENT. L'UTILISATION D'ACCESSOIRES OPTIONNELS QUI N'ONT PAS ÉTÉ SPÉCIFIQUEMENT TESTÉS POUR CET APPAREIL ÉLECTRIQUE ANNULERA LA GARANTIE DE L'APPAREIL ET/OU PRÉSENTERA DES RISQUES POUR LA SÉCURITÉ.
SI CES INSTRUCTIONS NE SONT PAS SUIVIES À LA LETTRE, UN INCENDIE OU UNE EXPLOSION POURRAIENT S'ENSUIVRE, CAUSANT DES DOMMAGES MATÉRIELS, DES BLESSURES CORPORELLES OU DES PERTES DE VIE. N'ENTREPOSEZ PAS ET N'UTILISEZ PAS D'ESSENCE OU AUTRES VAPEURS INFLAMMABLES À PROXIMITÉ DE CET APPAREIL OU TOUT AUTRE APPAREIL.
ÉTANT DONNÉ LA LOURDEUR DE CET APPAREIL, IL EST RECOMMANDÉ QUE DEUX PERSONNES EN FASSENT L'INSTALLATION.
LES ENTRÉES D'AIR ET LES SORTIES D'AIR NE DOIVENT PAS ÊTRE COUVERTES EN AUCUN CAS AFIN DE RÉDUIRE LE RISQUE D'INCENDIE.
N'EXÉCUTEZ PAS LE CORDON D'ALIMENTATION HORIZONTALEMENT, DIRECTEMENT EN DESSOUS DE L'APPAREIL.

68.5A

Votre appareil EFL42/NFL42 est fixé au mur. Choisir un emplacement convenable qui n'est pas susceptible à l'humidité et est loin des tentures, les meubles et les hauts secteurs de circulation. **NOTE: Suivre tous les codes électrique national et locaux.**

FR

3.1 DÉGAGEMENTS MINIMAUX AUX MATÉRIAUX COMBUSTIBLES

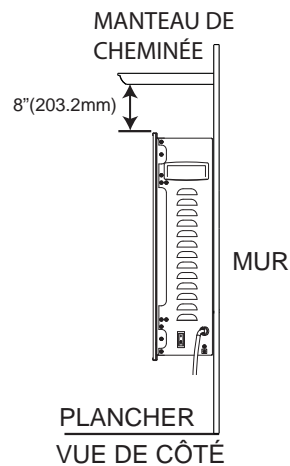
Les mesures sont prises à partir de la façade vitrée.			
Dessous	0"	Haut	8" (203mm) au tablette
Côtés	0"	Haut	8" (203mm) au plafond
Arrière	0"		

NOTE: L'interrupteur est situé à l'abaisser du côté droite de l'appareil. Garantie toujours que l'accès à cette interrupteur est disponible.

3.2 DÉGAGEMENTS MINIMAUX DE LA TABLETTE

! AVERTISSEMENT

LORSQUE VOUS UTILISEZ DE LA PEINTURE OU DU VERNIS COMME FINITION POUR VOTRE TABLETTE, ASSUREZ-VOUS QU'ILS SOIENT RÉSISTANTS À LA CHALEUR AFIN DE PRÉVENIR LA DÉCOLORATION.



3.3 INSTALLATION DE L'APPAREIL

Puisque les murs peuvent être recouverts de divers matériaux, nous vous conseillons fortement de retenir les services d'un professionnel qualifié pour ces travaux.

- A. Choisissez un endroit non sujet à l'humidité et situé à au moins 3 pieds (0,9 m) des articles combustibles, tels que les rideaux, meubles, literie, papier, etc.
- B. Demandez à deux personnes d'appuyer et de maintenir l'appareil contre le mur pour en déterminer l'emplacement définitif.
- C. Enlevez le support de fixation de l'arrière de l'appareil en l'enlevez les deux vis, voir Figure 1.
- D. Marquer la position, puis mont sont utilisés pour apposer sur le mur utilisant les 6 vis fourni. C'est **NÉCESSAIRE** pour le support muni d'avoir les crochets nivelé et orienter vers l'haup. **NOTE: C'est fortement recommandé que vous fixé les support muni aux mur cloute où possible. Si les mur cloutes sont inaccessible, guarentir que les plastique ancrs fourni sont utilisés pour apposer le support muni assurément au mur.**
- E. Après l'installation du support muni soulever l'appareil avec deux personnes et insérer les deux crochets aux encoches des supports à l'arrière de l'appareil.
- F. Vérifi ez la stabilité de l'appareil en vous assurant que l'appareil est bien ancré dans le mur et que l'appareil ne tombera pas.

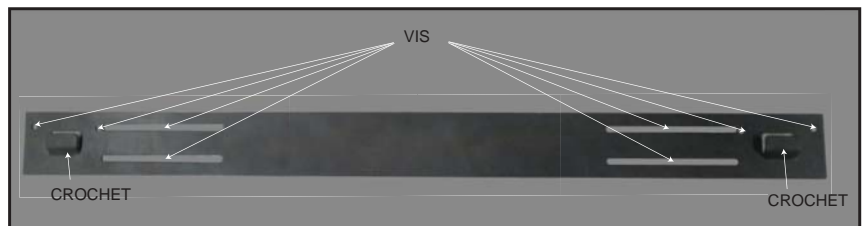
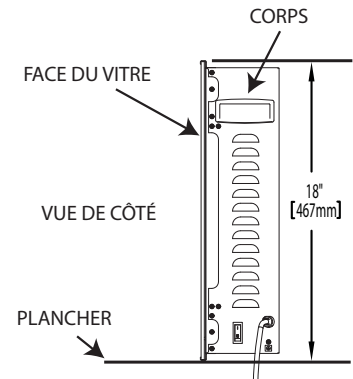
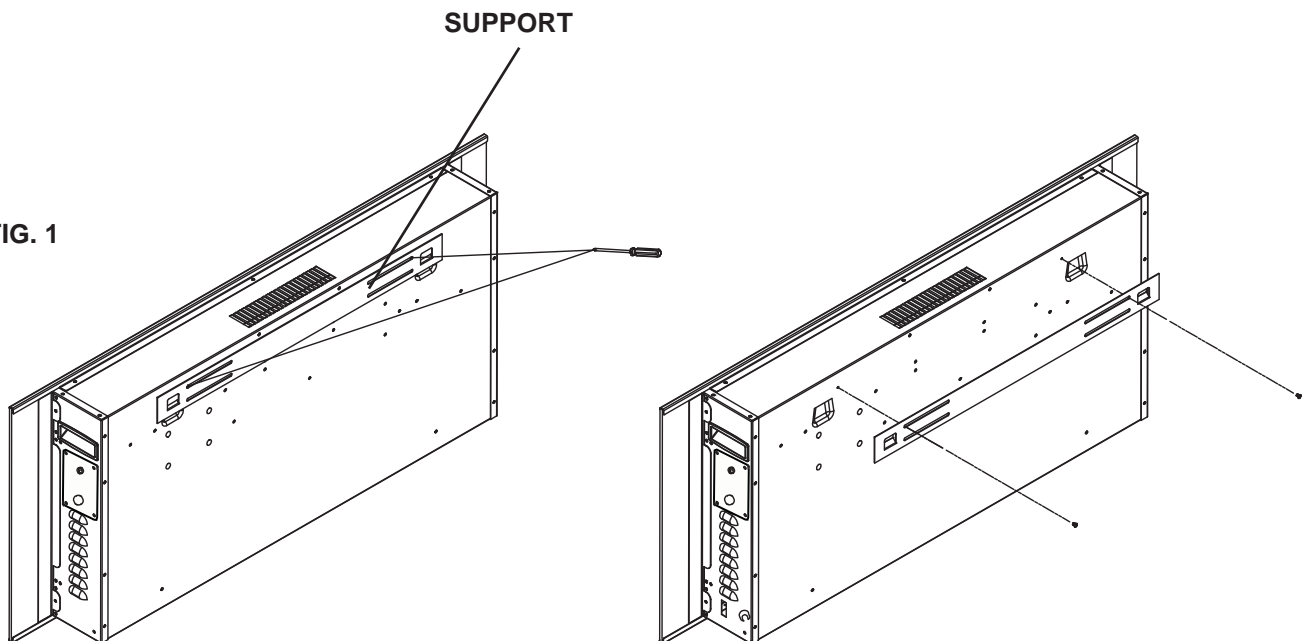


FIG. 1



4.0 FINITIONS

! AVERTISSEMENT

LE RACCORDEMENT PAR CÂBLE DOIT ÊTRE COMPLÉTÉ AVANT LA FINITION AFIN D'ÉVITER TOUTE RECONSTRUCTION.

LES ENTRÉES D'AIR ET LES SORTIES D'AIR DE L'APPAREIL NE DOIVENT JAMAIS ÊTRE COUVERTES.

FR

4.1 L'ENLÈVEMENT DU PORTE VITRÉE

! AVERTISSEMENT

LA VITRE PEUT ÊTRE CHAUDE, NE TOUCHEZ PAS LA VITRE JUSQU'À CE QU'ELLE AIT REFROIDI.

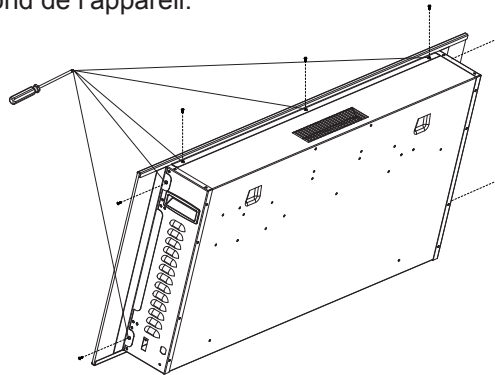
LES LOQUETS DE PORTE FONT PARTIE D'UN DISPOSITIF DE SÉCURITÉ ET DOIVENT ÊTRE ADÉQUATEMENT VERROUILLÉS. NE FAITES PAS FONCTIONNER L'APPAREIL LORSQUE LES LOQUETS SONT DÉVERROUILLÉS.

LES MATÉRIAUX DE FAÇADE ET DE FINITION NE DOIVENT PAS NUIRE À LA CIRCULATION DE L'AIR DANS LES OUVERTURES D'AIR ET LES PERSIENNES, NI AU FONCTIONNEMENT DES PERSIENNES OU DES PORTES. ILS NE DOIVENT PAS NON PLUS ENTRAVER L'ACCÈS POUR L'ENTRETIEN. RESPECTEZ TOUS LES DÉGAGEMENTS AUX MATÉRIAUX COMBUSTIBLES.

AVANT D'ENLEVER LA PORTE, ÉTEIGNEZ L'APPAREIL ET ATTENDEZ QUE CE DERNIER SOIT FROID AU TOUCHER. LES PORTES SONT LOURDES ET FRAGILES; MANIPULEZ AVEC SOIN.

75.1

- A. Enlèvez les 7 vis, comme illustré ci-dessous.
- B. Pencher le sommet de la face du porte jusqu'à vous pouvez tenir les côtés du porte. Elever la porte des pare-étincelles au fond de l'appareil.



4.2 L'INSTALLATION DES BRAISE DE VERRE

Enlever le face de verre de l'appareil puis mont le dans son emplacement final avant d'installer les braise de verre.

- A. **NETTOYER LES MÉDIAS DE CRISTAL:** médias de cristal peut avoir du résidu fin de pétrole qui doivent être nettoyé avant l'installation. Nettoyer le cristal avec le liquide vaisselle doux, l'égout, rincer à fond et sécher avant de le placer aux plateau.
- B. Soigneusement placer les braise de cristaux dans le fond du plateau à la face de l'appareil comme illustré. Placer une autre couche de braise de cristal également de côté à côté



5.0 INSTRUCTIONS DE FONCTIONNEMENT

L'appareil est prêt à fonctionner dès qu'il est correctement branché dans une prise de courant mise à la terre.

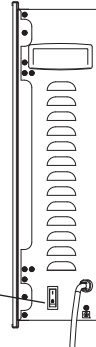
NOTE : Assurez-vous que les disjoncteurs de la maison pour ce circuit soient allumés. Lors d'une panne de courant, quand l'interrupteur est à la position <"I" ON> et la télécommande soit à la position <OFF> , la génération de flamme allumeera sur une réglant haut, quand l'alimentation électrique soient en retours.

5.1 INTERRUPTEUR

L'interrupteur MARCHE/ARRÊT est situé au droite de l'appareil, comme illustré.



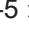

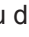

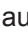





Le symbole « | » indique MARCHE et le symbole « O » indique ARRÊT. Pour éteindre l'appareil et l'effet du flamme, placez l'interrupteur à la position « | ».

L'INTERRUPTEUR



5.2 UTILISATION DU PANNEAU DE CONTRÔLE

NOTE: Faire certain les nouveau piles sont correctement installées.

- A. Branchez l'appareil.
- B. Assurez-vous que l'interrupteur MARCHE/ARRÊT de l'appareil est à « ON ». La télécommande ne peut fonctionner si l'interrupteur MARCHE/ARRÊT est à « OFF ».
- C. Pointez la télécommande en direction de l'avant centre de l'appareil.
- D. La touche  située dans le coin supérieur gauche de la télécommande, peut servir à mettre en marche ou à arrêter l'appareil (pour que la télécommande fonctionne, l'interrupteur de l'appareil doit être à « ON »). En appuyant sur cette touche, l'appareil est mis sous tension.
- E. Pour actionner le jeu de flammes, appuyez sur la touche « FLAME »   et pour régler la hauteur des flammes, appuyez sur les touches « +5 » ou « -5 ». Il y a cinq réglages différents pour les flammes.
- F. Pour actionner la chaufferette, appuyez sur la touche « HEAT »  . Le niveau de chaleur initial est réglé à chaleur élevée. Pour régler le niveau de chaleur, sélectionnez la touche   pour la chaleur élevée (1500 W) ou la touche  pour la chaleur faible (750 W). Pour passer au mode de contrôle automatique de la chaleur, appuyez sur la touche « ROOM TEMP » , la chaufferette s'actionnera lorsque la température passera sous 21 °C. La chaufferette s'éteindra lorsque la température passera au-dessus de 25 °C.
- G. Pour régler la flamme bleue, appuyez sur les touches «  +5 » ou «  -5 ». Il y a cinq réglages différents pour la flamme.
- H. Pour éteindre l'appareil, appuyez une fois sur la touche .



NOTE : Pour fonctionner, la télécommande doit être à moins de 8 mètres ou 26 pieds de l'appareil et le rayon devra être diminué au fur et à mesure que la charge de la pile diminuera.

6.0 ENTRETIEN

6.1 REMPLACEMENT DE FUSIBLE

! AVERTISSEMENT

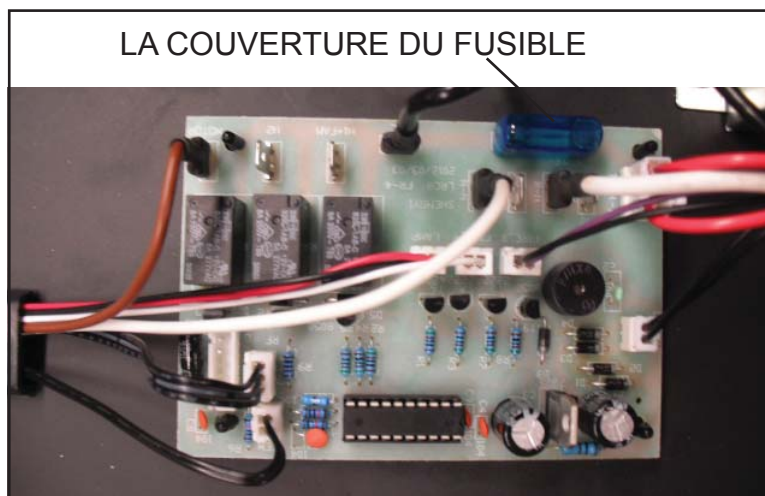
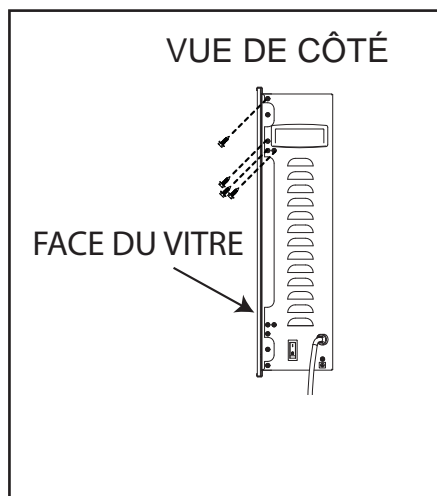
PRÉPARATION POUR L'ENTRETIEN

DÉBRANCHEZ TOUJOURS L'ALIMENTATION ÉLECTRIQUE ET LAISSEZ L'APPAREIL REFROIDIR AVANT DE LE NETTOYER, DE PROCÉDER À SON ENTRETIEN OU DE LE RELOCALISER. TOURNEZ LES CONTRÔLES À « OFF » ET RETIREZ LA FICHE DE LA PRISE DE COURANT OU FERMEZ LE DISJONCTEUR DU CIRCUIT DE VOTRE APPAREIL.

NE PAS INSTALLER D'AMPOULES DE RECHANGE QUI EXCÈDENT LA PUISSANCE (WATTS) MAXIMALE SPÉCIFIÉE.

Pour remplacer la fusible enlever la porte vitrée voir la section « L'ENLÈVEMENT DU PORTE VITRÉE ».

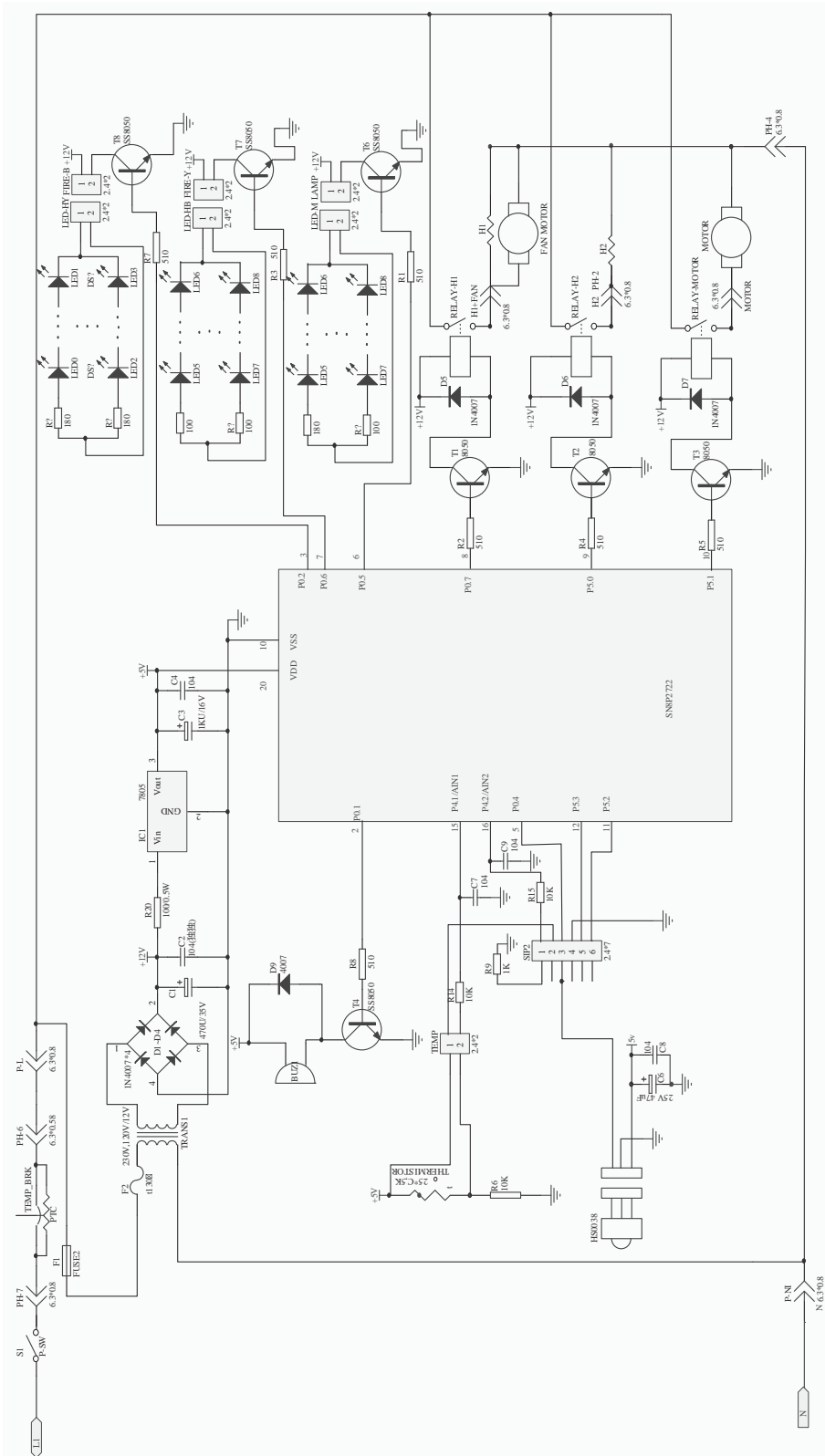
- A. Enlever le médias verre de l'appareil, les bords de verre peut avoir des bords tranchants, vous devriez porter les lunettes et les gants protectifs en contrôlant la verre.
- B. Enlever les 4 vis de chaque côté cela tient le devant de foyer et la verre miroir à l'appareil, puis enlèver de l'appareil. La carte de circuit deviendra visible, comme indiqué au dessous.
- C. Enlever la verre miroir avant d'avoir accéder aux carte de circuit.
- D. Enlever la couverture du fusible pour gagner l'accès au fusible, remplacer le fusible en existance avec le nouveau fusible.



7.0 SCHÉMA DE CÂBLAGE

! AVERTISSEMENT
COUPEZ L'ALIMENTATION ÉLECTRIQUE À L'APPAREIL ET LAISSEZ-LE REFROIDIR AVANT D'EFFECTUER UN ENTRETIEN. SEUL UN TECHNICIEN DE SERVICE QUALIFIÉ PEUT EFFECTUER L'ENTRETIEN OU LA RÉPARATION DE CET APPAREIL ÉLECTRIQUE.

FR



8.0 RECHANGES

Contactez votre détaillant ou le fabricant pour les questions concernant les prix et la disponibilité des pièces de rechange. Normalement, toutes les pièces peuvent être commandées chez votre détaillant autorisé.

POUR UN REMPLACEMENT DE PIÈCE SOUS GARANTIE, UNE PHOTOCOPIE DE LA FACTURE ORIGINALE SERA REQUISE AFIN DE POUVOIR HONORER LA DEMANDE.

Lorsque vous commandez des pièces, donnez toujours l'information suivante :

- Modèle et numéro de série de l'appareil
- Date d'installation de l'appareil
- Numéro de la pièce
- Description de la pièce
- Fini

*** IDENTIFIE LES ARTICLES QUI NE SONT PAS ILLUSTRÉS. POUR PLUS D'INFORMATION, CONTACTEZ VOTRE DÉTAILLANT AUTORISÉ.**

! AVERTISSEMENT

OMETTRE DE POSITIONNER LES PIÈCES CONFORMÉMENT AU MANUEL OU D'UTILISER UNIQUEMENT DES PIÈCES SPÉCIFIQUEMENT APPROUVÉES POUR CET APPAREIL PEUT CAUSER DES DOMMAGES MATÉRIELS OU DES BLESSURES CORPORELLES.

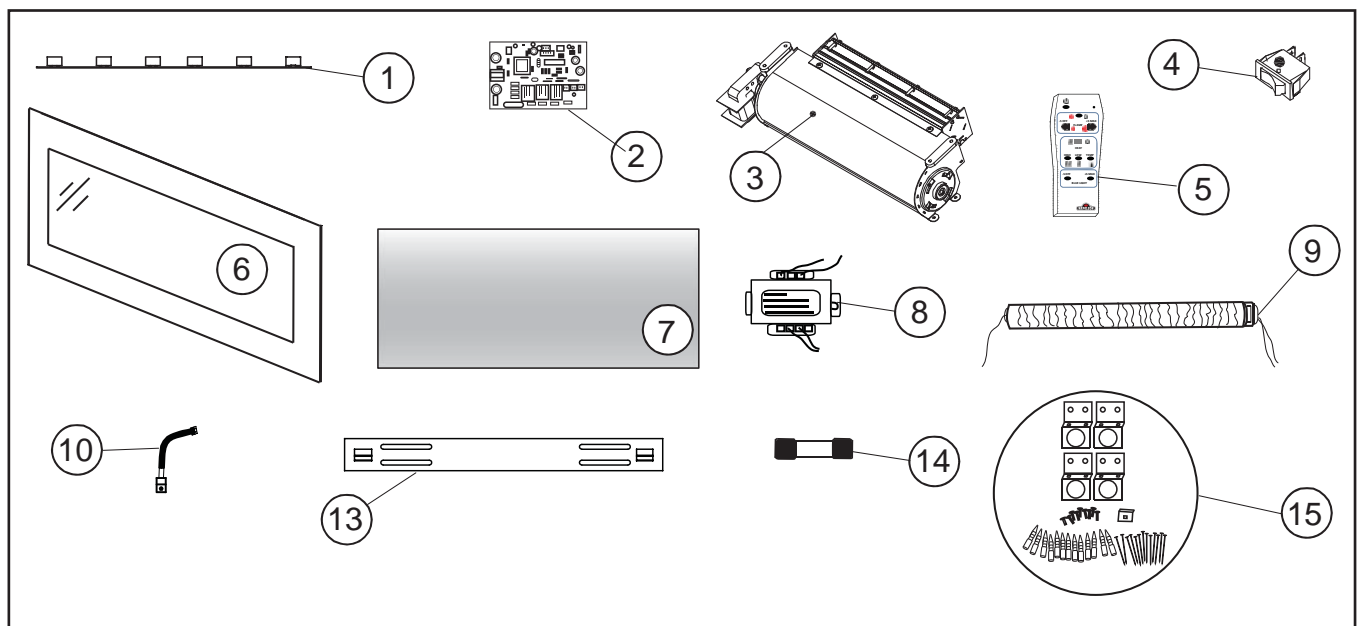
41.1

Pour le service après-vente, veuillez composer le 1-866-539-2039

COMPONENTS

REF NO.	PART NO.	DESCRIPTION
1	W405-0008	CARTE DE CIRCUIT DEL POUR LIT DE BRAISES
2	W190-0050	CARTE DE CIRCUIT
3	W062-0047	ASSEMBLAGE DE SOUFFLERIE ET DE CHAUFFERETTE
4	W660-0128	COMMUTATEUR (RK1-11)
5	W190-0051	TÉLÉCOMMANDE
6	W300-0155	FAÇADE VITRÉE
7	W300-0156	VERRE MIROIR
8	W707-0016	TRANSFORMATEUR
9	W010-2918	L'ASSEMBLER CYLINDRE
10	W660-0129	RÉCEPTEUR DE LA TÉLÉCOMMANDE
11*	W300-0178	VERRE CONCASSÉ (0.54kg (1.2lbs))
12*	W435-0055	120 V 30/36 TR/MIN
13	W080-1282	SUPPORT
14	W285-0006	FUSIBLE
15	W020-0879	PIÈCES DU MATÉRIEL

NOTE: Usez de prudence lorsque vous enlevez et jetez des débris de verre ou des composants endommagés. Assurez-vous d'aspirer tous les débris de verre à l'intérieur de l'appareil avant de le faire fonctionner.



9.0 GUIDE DE DÉPANNAGE

**AVERTISSEMENT**

COUPEZ L'ALIMENTATION ÉLECTRIQUE À L'APPAREIL ET LAISSEZ-LE REFROIDIR AVANT D'EFFECTUER UN ENTRETIEN. SEUL UN TECHNICIEN DE SERVICE QUALIFIÉ PEUT EFFECTUER L'ENTRETIEN OU LA RÉPARATION DE CET APPAREIL.

SYMPTÔME	PROBLÈME	SOLUTIONS
La luminosité du jeu de flammes est faible ou inexistante	Cylindre DEL sont brûlées	Vérifiez les DEL à l'intérieur du cylindre de création du jeu de flammes (W010-2918) et remplacez-les au besoin
Le lit de braises ne s'illumine pas ou ne diminue pas en luminosité	Braise DEL sont brûlées	Vérifiez que les braises DEL et remplacez-les au besoin
	L'appareil de chauffage est brûlé	Inspecter l'appareil de chauffage et l'assembler (W062-0047) et remplacez-les au besoin
L'appareil n'émet aucune chaleur	La température ambiante est plus élevée que le réglage de l'appareil (si réglée au température du chambre)	Réglez l'appareil à une température plus élevée (MOYEN ou ÉLEVÉ)
L'appareil s'éteint et ne se rallume pas	L'appareil a surchauffé et le dispositif de sécurité a entraîné le déclenchement de l'interrupteur thermique	Débranchez l'appareil, laissez-le refroidir pendant 10 minutes, puis rebranchez-le
	Le disjoncteur de la maison s'est déclenché	Réinitialisez le disjoncteur
	Le fusible de l'appareil a sauté	Remplacez le fusible
L'appareil ne s'allume pas lorsque l'interrupteur est mis à « ON »	L'appareil n'est pas branché dans une prise de courant	Vérifiez la fiche puis rebranchez-la
	L'appareil a surchauffé et le dispositif de sécurité a entraîné le déclenchement de l'interrupteur thermique	Débranchez l'appareil, laissez-le refroidir pendant 10 minutes, puis rebranchez-le
	La carte de circuit est brûlé	Inspecter la carte de circuit (W190-0050) et remplacez-les au besoin
La télécommande ne fonctionne pas	Les piles sont faibles	Remplacez les piles AA de la télécommande
La chaufferette s'éteint automatiquement	La température ambiante est trop élevée	L'appareil est équipé d'un thermostat intégré et s'éteindra automatiquement lorsque la température programmée sera atteinte. Il s'allumera automatiquement lorsque la température de la pièce descendra en dessous de la température programmée. La température programmée dépend des réglages sélectionnés pour la chaufferette

FR

10.0 GARANTIE

Les foyers électriques NAPOLÉON sont fabriqués conformément aux normes strictes du Certificat d'assurance de qualité internationalement reconnu ISO 9001 : 2008.

Les produits NAPOLÉON sont conçus avec des composants et des matériaux de qualité supérieure, assemblés par des artisans qualifiés qui sont fiers de leur travail. Une fois assemblé, chaque foyer est soigneusement inspecté par un technicien qualifié avant d'être emballé pour garantir que vous, le client, recevez le produit de qualité dont vous attendez de NAPOLÉON.

GARANTIE LIMITÉE DES APPAREILS ÉLECTRIQUES NAPOLÉON

Les composants électriques et les pièces soumises à l'usure tels que la soufflerie/chaufferette, les moteurs, les interrupteurs, les roulements à billes en nylon et les télécommandes sont couverts et NAPOLÉON fournira gratuitement les pièces de rechange durant la première année de la garantie limitée.

Les ampoules et les fusibles NE SONT PAS couverts par la garantie.

Les coûts de main-d'oeuvre relatifs aux réparations garanties ne sont pas couverts.

*La fabrication de chaque modèle varie. La garantie s'applique uniquement aux composants disponibles avec votre appareil.

CONDITIONS ET LIMITATIONS

NAPOLÉON garantit ses produits contre les défauts de fabrication à l'acheteur d'origine seulement. L'enregistrement de la garantie n'est pas nécessaire. Fournissez simplement une preuve d'achat ainsi que le modèle et le numéro de série afin d'effectuer une réclamation de garantie. Napoléon® se réserve le droit de demander à son représentant d'inspecter tous produits ou pièces avant d'honorer toute réclamation. L'achat doit avoir été fait par l'entremise d'un détaillant NAPOLÉON® autorisé et sous réserve des conditions et limitations suivantes :

La couverture de la garantie débute à partir de la date d'installation originale.

Cette garantie du fabricant n'est pas transférable et ne peut être prolongée ou étendue par aucun de nos représentants quelle qu'en soit la raison.

L'installation doit être faite conformément aux instructions d'installation incluses avec le produit et à tous les codes d'incendie et de construction locaux et nationaux.

Cette garantie limitée ne couvre pas les dommages causés par un mauvais usage, un manque d'entretien, un accident, des altérations, des abus ou de la négligence, et l'installation de pièces d'autres fabricants annulera cette garantie.

Cette garantie limitée ne couvre pas non plus les égratignures, les bossellements, la corrosion ou la décoloration causée par une chaleur excessive, des produits d'entretien chimiques et abrasifs ou l'écaillage de pièces en porcelaine émaillée, le bris par manipulation des bûches Phazer®.

Au cours de la première année seulement, cette garantie s'étend à la réparation ou au remplacement des pièces garanties dont les matériaux ou la fabrication sont défectueux à la condition que le produit ait été utilisé conformément aux instructions de fonctionnement et dans des conditions normales.

NAPOLÉON ne sera pas responsable de l'installation, de la main-d'oeuvre ou autres coûts ou dépenses relatives à la réinstallation d'une pièce garantie, et de telles dépenses ne sont pas couvertes par cette garantie. Nonobstant toutes les dispositions contenues dans cette Garantie Limitée, la responsabilité de NAPOLÉON sous cette garantie est définie comme ci-dessus et elle ne s'étendra à aucun dommage accidentel, consécutif ou indirect.

Cette garantie définit l'obligation et la responsabilité de NAPOLÉON en ce qui concerne l'appareil électrique NAPOLÉON. Toute autre garantie énoncée ou implicite en ce qui concerne ce produit, ses composants ou accessoires est exclue.

NAPOLÉON n'endosse, ni n'autorise aucun tiers à assumer en son nom, toutes autres responsabilités concernant la vente de ce produit.

Tous dommages causés à l'appareil, aux garnitures en laiton ou autres composants par l'eau, les dommages causés par les intempéries, de longues périodes d'humidité, la condensation, des produits chimiques ou produits d'entretien nuisibles ne seront pas la responsabilité de NAPOLÉON.

La facture ou sa copie sera requise ainsi que le numéro de série et le numéro de modèle lors d'une réclamation auprès de votre détaillant autorisé. La carte d'enregistrement de garantie doit être retournée dans les quatorze jours pour enregistrer la garantie.

NAPOLÉON® se réserve le droit de demander à son représentant d'inspecter tout produit ou pièce avant d'honorer toute réclamation.

Toutes les pièces remplacées en vertu de la politique de Garantie limitée ne peuvent faire l'objet que d'une seule réclamation.

Toutes les pièces remplacées au titre de la garantie seront couvertes pour une période de 90 jours à partir de leur date d'installation.

Le fabricant peut exiger que les pièces défectueuses ou les produits soient retournés ou que des photos numériques soient fournies pour valider la réclamation. Les produits retournés doivent être expédiés port payé au fabricant pour une inspection en usine. Si un produit est déclaré défectueux, le fabricant le réparera ou le remplacera.

Avant d'expédier votre appareil ou les pièces défectueuses, votre détaillant doit obtenir un numéro d'autorisation. Toute marchandise expédiée à notre usine sans autorisation sera refusée et retournée à l'expéditeur.

Les coûts d'expédition ne sont pas couverts par cette garantie.

Des frais de service supplémentaires peuvent être appliqués si vous cherchez à obtenir des services au titre de la garantie auprès d'un détaillant.

TOUTES LES SPÉCIFICATIONS ET LES CONCEPTIONS SONT SUJETTES À MODIFICATIONS SANS PRÉAVIS EN RAISON DES AMÉLIORATIONS CONSTANTES APPORTÉES AUX PRODUITS. NAPOLÉON EST UNE MARQUE DE COMMERCE DÉPOSÉE DE WOLF STEEL LTÉE.

2.5B

Autres produits Napoléon



Foyers encastrés • Grils au charbon de bois • Foyers au gaz • Cascades d'eau
Poêles à bois • Produits HVAC • Foyers électriques • Foyers extérieurs • Grils à gaz de qualité



7200, Route Transcanadienne, Montréal, Québec H4T 1A3
24 Napoleon Road, Barrie, Ontario, Canada L4M 0G8
214 Bayview Drive, Barrie, Ontario, Canada L4N 4Y8
103 Miller Drive, Crittenden, Kentucky, USA 41030

Foyers / Chauffage et Climatisation / Grils composez : 514-737-6294
napoleonproducts.com