

# TRANQUILLE™ 30 ELECTRIC FIREPLACE



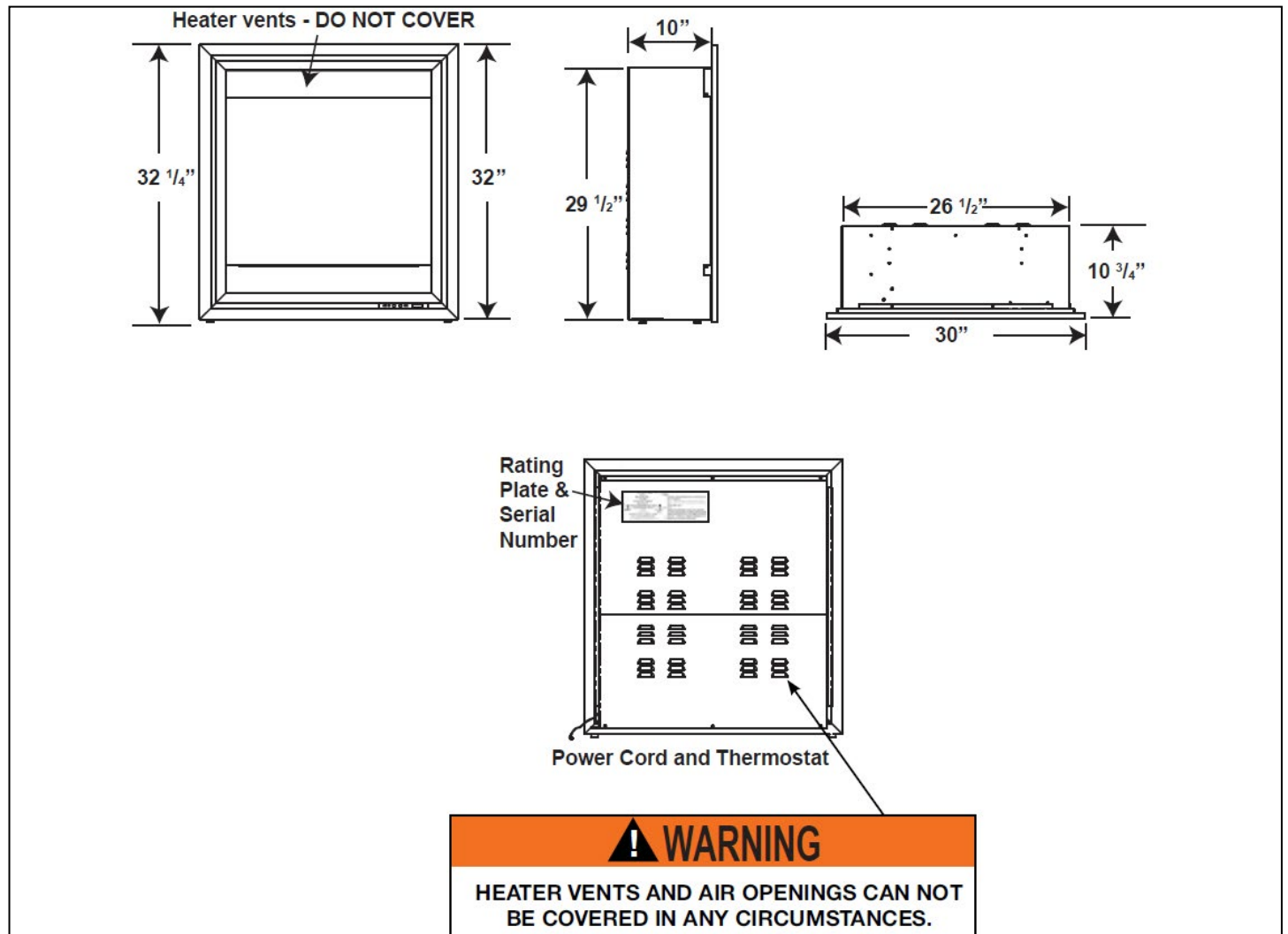
## Specifications

Model	BTU	Width		Height		Depth		Glass
		Actual	Framing	Actual	Framing	Actual	Framing	
NEFB30GL	5,000	30	29	32 1/4	31 1/2	10 3/4	11 3/4	26.42 X 24.41

## Overview



## Dimensions



## Framing & Clearances

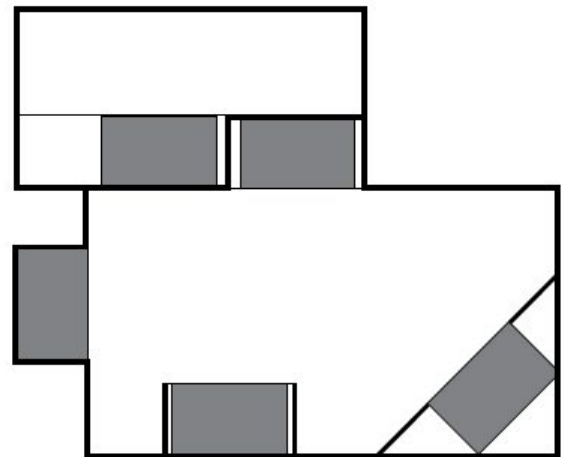
### Minimum Fireplace Clearances

**NOTICE**

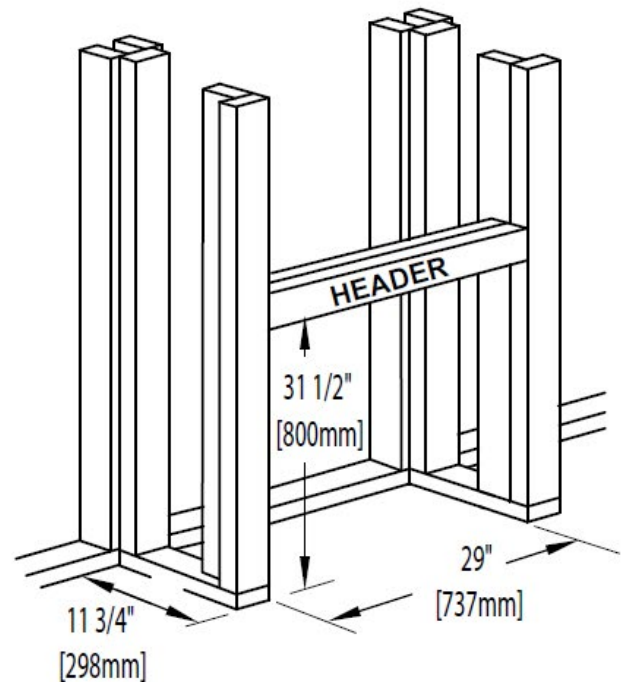
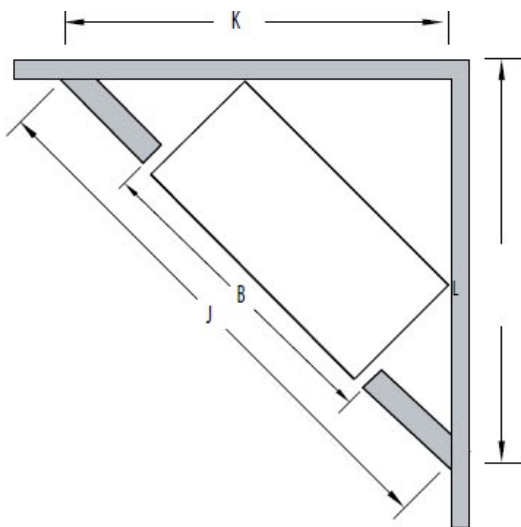
Minimum clearance of 1" on all sides, back and top must be maintained at all times. Illustrations throughout these instructions reflect typical installations and are for design purposes only. Actual installations may vary slightly due to individual preferences.

Illustrates a variety of ways the appliance may be located in a room. The appliance may be installed directly on the floor (uncarpeted), or raised on a hearth.

**TOP VIEW SHOWING APPROVED ROOM LOCATIONS OF APPLIANCE**



### Framing Dimensions



**NEFB30GL**

<b>B</b>	29" (737mm)
<b>J</b>	50" (1270mm)
<b>K</b>	35 3/8" (898mm)
<b>L</b>	35 3/8" (898mm)

Product information provided is not complete and is subject to change without notice. Please consult the installation manual for the most up to date installation information.