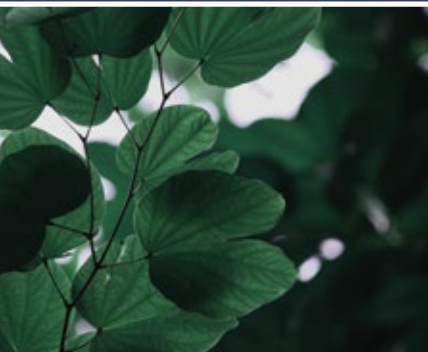


OUTDOOR GAS  
FIREPLACES



www.regency-fire.com



OUTDOOR  
GAS FIREPLACES

# WHY CHOOSE REGENCY?

## BEAUTIFUL HOME HEATING SOLUTIONS

Regency Fireplace Products was founded over 35 years ago with a mission to produce the finest fireplace products available anywhere. Regency provides beautiful heating solutions for every room in your home. Listening to our customers continues to fuel our reputation as the premium brand in the market today.

## REGENCY QUALITY

The Regency name means quality in every way. Our products are designed and built in a world class manufacturing facility focused on getting every detail just right. Represented across North America by a carefully selected professional retail network, our knowledgeable dealers and installers understand how to optimize the performance of our products for maximum enjoyment, efficiency and safety.

## EXCEPTIONAL FIRE

The essence of every Regency fireplace is our unique flame. Without question, it's the best in the industry. Inspired by nature and fueled by innovation, Regency's dancing flames and glowing embers look just like a wood fire.

## CUSTOM STYLING

By researching current design trends and timeless styles, we have created tasteful options and accessories that invite you to tailor the look of your fireplace to your space and personal style. Sleek and simple or grand and glamorous... it's your choice.

## LIFETIME GUARANTEE

I'm so confident in the quality of our workmanship, fine materials selection and durable heavy-duty construction, I offer a Limited Lifetime Warranty for every fireplace we build. The Regency warranty is the best in the industry. I am absolutely sure that you will be as proud of your Regency Gas Fireplace as I am – I guarantee it.



Robert Little  
**Founder & CEO**



# TABLE OF CONTENTS

<i>Regency Plateau® Firetable</i> <b>PTO30CFT</b>	<b>04</b>
<i>Regency Horizon™ Outdoor Gas Fireplaces</i> <b>HZ042</b> <b>HZ060</b>	<b>06</b> <b>08</b>
<i>Regency Plateau® Gas Burners</i> <b>PTO30</b> <b>PTO50</b>	<b>10</b> <b>12</b>
<i>Design Choices &amp; Options</i>	<b>14</b>
<i>Technical Specs</i>	<b>16</b>





Regency Plateau® PTO30CFT coffee firetable shown with Stainless steel top, crystals and glass wind shield.

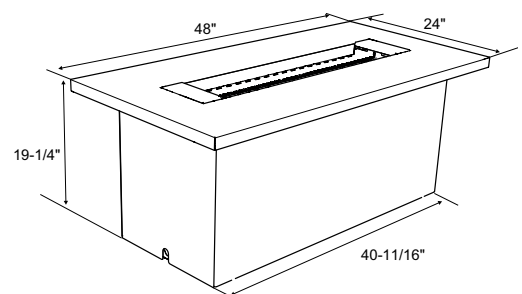
## REGENCY PLATEAU® FIRETABLE | PTO30CFT Coffee Firetable

### LINGER OUTDOORS LONGER... IN STYLE

Regency's versatile firetable is perfect for outdoor entertaining. At 20" tall, the sleek linear style of the Regency Plateau Coffee Table creates the perfect gathering space. Included is a dining leaf which adds functionality as an outdoor table when the fireplace is not in use. Crafted from the highest quality materials and durable construction; the Plateau collection is built to withstand the outdoor elements.

SPECIFICATIONS	NG	LP
BTU Input (on high)*	49,000	48,000
BTU Input (on low)*	18,000	15,000

\* Figure will vary with individual conditions and fuel quality.





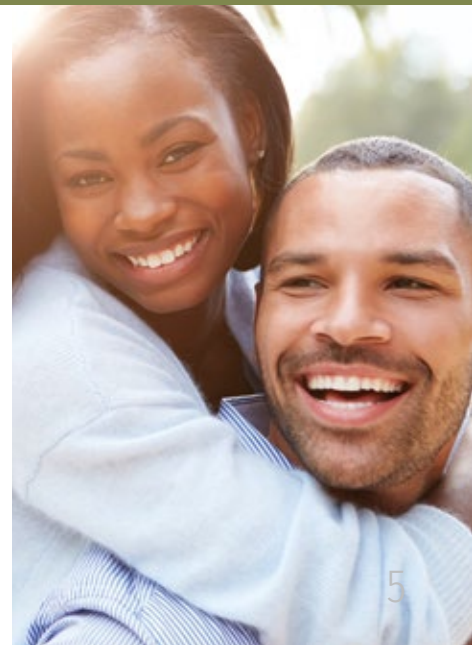
*Regency Plateau® PTO30CFT coffee firetable shown with sunset bronze top, crystals and glass wind shield.*

## STANDARD FEATURES

- Propane
- Stainless steel burner
- Easy access on/off switch
- Match light ignition system
- Safety valve (turns gas off if flame goes out)
- Manual flame height adjustment
- Dining leaf adds functionality as an outdoor table when fireplace not in use
- Propane tank access & storage (11lb tank)
- Approved for outdoor installation only
- No venting required

## OPTIONS

- Stainless steel or sunset bronze powder coated top (must choose one)
- Crystals or firebeads in various colors (must choose one)
- Volcanic stones in various colors
- Ceramic log set
- Seasonal weather cover
- Tempered glass wind shield (4-pc) with seasonal weather cover - recommended
- 4 casters (wheels to replace leveling legs)
- Natural Gas conversion kit





*Regency Horizon HZO42 shown with crystals.*

## REGENCY HORIZON™ HZO42 | Outdoor Gas Fireplace

### DESIGN YOUR OWN OUTDOOR FIREPLACE

The contemporary styling and quality craftsmanship of Regency's popular Horizon series is now available alfresco. Enjoy the drama of beautiful wide angle flames amplified by a reflective stainless steel body. A tempered glass wind shield maintains the strong flame picture, while the seasonal weather cover (included) protects the fireplace when it's not in use. Choose from a host of fine fire bed selections to create a flame experience as unique as you.

SPECIFICATIONS	NG	LP
BTU Input	44,500	43,500

DIMENSIONS	
Faceplate Width	39-1/2"
Faceplate Height	17"
Viewing Area	449 sq.in.



*Regency Horizon HZO42 shown with slate gray volcanic stones.*

## STANDARD FEATURES

- Natural gas or propane
- Stainless steel faceplate & inner panels
- Stainless steel burner covered with copper crystals
- Tempered glass wind shield
- Stainless steel heat deflector
- Easy access on/off switch
- Electronic ignition system
- Safety valve (turn gas off if flame goes out)
- Seasonal weather cover
- Approved for outdoor installation only
- No venting required

## OPTIONS

- Crystals or firebeads in various colors
- Volcanic stones
- River pebbles
- Ceramic log set
- Framing kit
- Hardwire kit





Regency Horizon HZO60 shown in see-through application.

## REGENCY HORIZON™ HZO60 | Outdoor Gas Fireplace

### REGENCY'S LARGEST OUTDOOR GAS FIREPLACE EVER!

The perfect combination of style and comfort. This impressive 60" outdoor fire feature converts from single sided to see-through design perspective. Harness the power of 64,000 BTU's to remove the chill from night air.

SPECIFICATIONS	HZO60	
	NG	LP
Input (BTU)	64,000	62,000
Turn down to (BTU)	42,000	49,000

DIMENSIONS	
Width	60"
Height	17"
Depth	18"
Viewing Area	1,020 sq.in.





*Regency Horizon HZO60 shown in single-sided application.*

## STANDARD FEATURES

- Natural gas
- Single-sided or see-through design
- Stainless steel inner panels
- Stainless steel 60" linear burner
- Tempered glass wind shield
- Easy access on/off switch
- Electronic ignition system
- Runs on a battery pack, or choose to hardwire directly into household wiring
- Safety valve (turn gas off if flame goes out)
- Approved for outdoor installation only
- No venting required

## OPTIONS

- Crystals or firebeads in various colors (must choose one)
- Volcanic stones
- Ceramic driftwood log set
- Stainless steel faceplate
- Stainless steel inner trim
- Stainless steel burner cover
- Hardwire kit
- Propane conversion kit





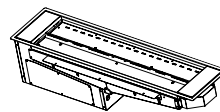
Two PTO30's connected end to end, shown with wind shield and framing kit.

## REGENCY PLATEAU® BURNER | PTO30 Gas Burner

### THE ULTIMATE CUSTOMIZED FIRE FEATURE

For custom applications, the Regency Plateau Outdoor Burner brings you the design versatility of a linear stainless steel burner to any outdoor landscape. Whether you are a landscape designer or a homeowner looking to renovate an outdoor living space, the Regency Plateau outdoor burner creates endless design possibilities to your outdoor oasis. This unit is available in 30" (PTO30) or you can install two together to turn it into a 60" burner.

SPECIFICATIONS	30"		60"	
	NG	LP	NG	LP
Input (BTU)	50,000	49,000	100,000	98,000
Turn down to (BTU)	30,000	38,000	60,000	76,000



**30"**

PTO30 burner



**60"**

Two PTO30 burners connected end to end



*Custom application using the Regency Plateau® PTO30 burner and see-through framing kit.*

## STANDARD FEATURES

- Natural Gas
- Stainless steel 30" or combine to create a 60" linear burner
- Easy access on/off switch
- Electronic ignition
- Battery operated, saving thousands in electrical wiring
- Safety valve (turns gas off if flame goes out)
- Approved for outdoor installation only
- No venting required

## OPTIONS

- Crystals or firebeads in various colors (must choose)
- Volcanic stones in various colors
- Ceramic driftwood log set
- Tempered glass wind shield (4-pc) with seasonal weather cover - recommended
- Stainless steel burner cover
- Various framing kits
- Hardwire kit
- Propane conversion kit





Two PTO50's connected end to end, shown in custom application.

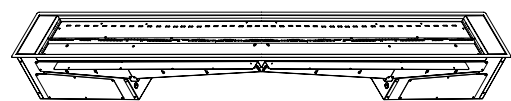
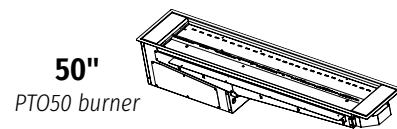
## REGENCY PLATEAU® BURNER | PTO50 Gas Burner

### CREATE THE BACKYARD OF YOUR DREAMS!

Introducing a 50" linear stainless steel burner that provides the ultimate custom solution!

- Use the burner to create a 50" custom feature
- Connect two burners end-to-end to create an impressive 100" custom feature
- Connect the new 50" burner with our 30" burner for a custom 80" fire feature

SPECIFICATIONS	50"		100"	
	NG	LP	NG	LP
Input (BTU)	64,000	62,000	128,000	124,000
Turn down to (BTU)	42,000	49,000	84,000	98,000



**100"**

Two PTO50 burners connected end to end



*Two PTO50's connected end to end, shown in custom application.*

## STANDARD FEATURES

- Natural gas
- Stainless steel 50" or 100" linear burner
- Easy access on/off switch
- Electronic ignition
- Runs on a battery pack, or choose to hardwire directly into household wiring
- Safety valve turns gas off if the flame goes out
- Approved for outdoor installation only
- No venting required

## OPTIONS

- Framing kits for custom applications
- Crystals or firebeads in various colors (must choose one)
- Volcanic stones
- Ceramic driftwood log set
- Tempered glass wind shield (4-pc) with seasonal weather cover - recommended
- Stainless steel inner trim
- Stainless steel burner cover
- Hardwire kit
- Propane conversion kit

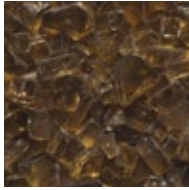


# FIREBED OPTIONS

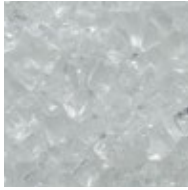
## CRYSTALS & FIREBEADS



*Crystals - Black*



*Crystals - Copper*



*Crystals - Starfire*



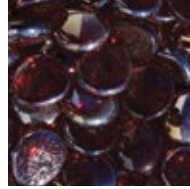
*Firebeads - Black*



*Firebeads - Caramel Luster*



*Firebeads - Glacier Ice*



*Firebeads - Sangria Luster*

## STONES & LOGS



*Volcanic Stones - Gray*



*Volcanic Stones - Tan*



*River Pebbles (HZO42 only)*



*Driftwood Ceramic Log Set*

## COFFEE FIRETABLE TOP OPTIONS



*Stainless Steel*



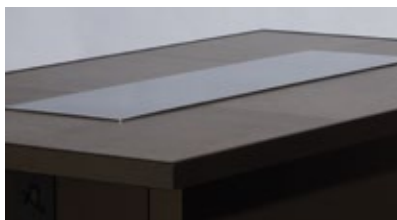
*Sunset Bronze*

## GLASS WIND SHIELD



*Exquisitely finished tempered glass for maximum comfort and optimum fire viewing*

## BURNER COVER



*Matching burner cover (stainless steel/sunset bronze)  
(not available for PTO30 burner)*

# DIY - BURNERS & FRAMING KITS

## 1-2-3 INSTANT FIREPLACE - HZ042



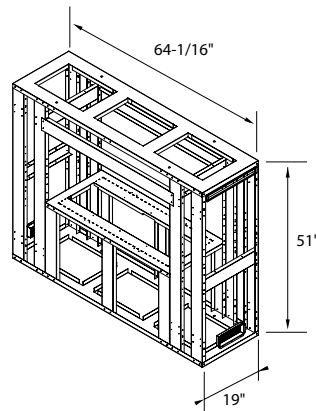
No fireplace? No problem! The Regency steel framing kit allows you to install and finish your outdoor gas fireplace in no time...

**DIMENSIONS:** 60"W X 20"D X 52-1/2"H

## PTO30 SEE-THROUGH FRAMING KIT



Custom application using the Regency Plateau™ PTO30 burner and see-through framing kit.



## SEE-THROUGH FRAMING KIT OPTIONS:

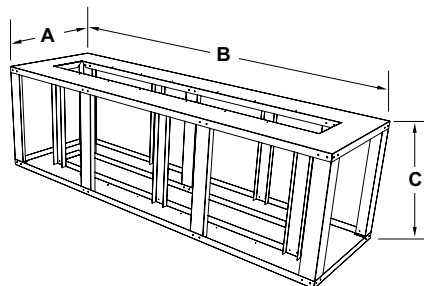
- Stainless steel inner panels
- Propane drawer



See-through framing kit - propane drawer

**NOTE:** Two ventilation grills are highly recommended for all enclosures. This is to alleviate moisture and allow air to circulate. Minimum recommended size is 20 sq. in. for each grill.

## TABLE FRAMING KIT

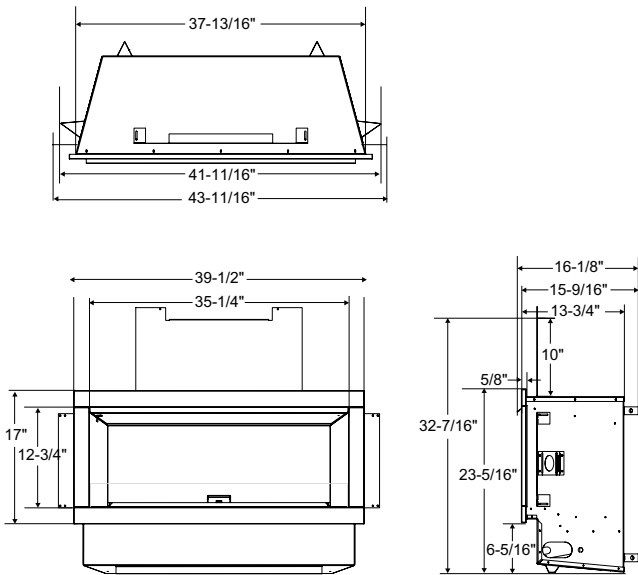


FRAMING	60"	50"
A	24"	24"
B	79"	69"
C	24"	24"

**NOTE:** Finishing materials are not included with framing kits

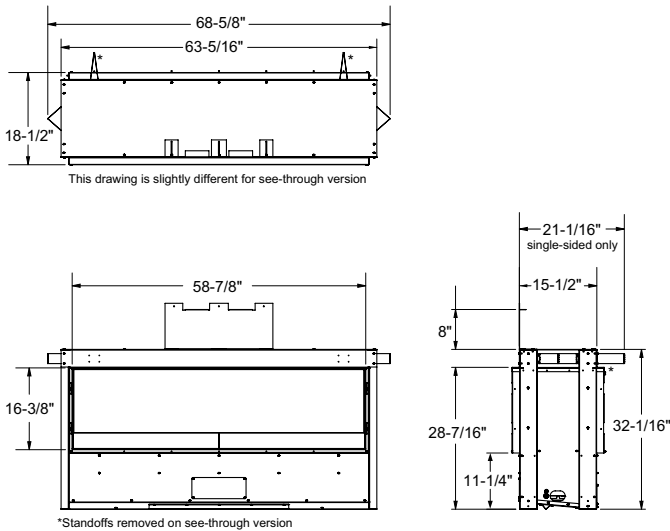
# REGENCY HORIZON™ HZO42 & HZO60 OUTDOOR FIREPLACES

## SPECIFICATIONS HZO42

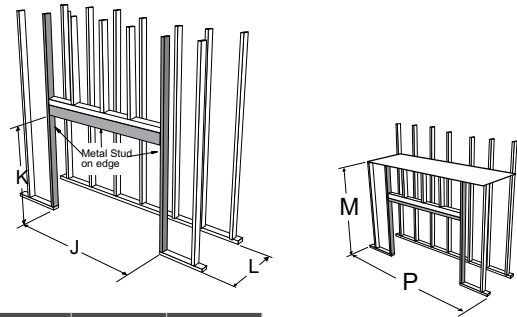


## SPECIFICATIONS HZO60

Single sided and see-through



## FRAMING

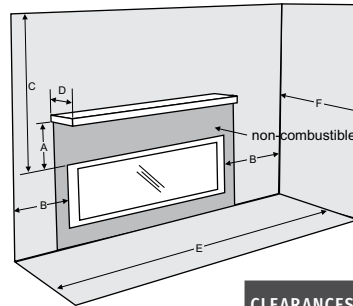


FRAMING	HZO42	HZO60
J	42-3/16"	69"
K	32-11/16"	40-1/4"
L	20"	22-1/4"
M	52-1/2"	43-3/4"
N	40-7/16"	76-13/16"
O	54-3/16"	108-5/8"
P	60"	--

\*Single sided only

Note: Please refer to the manual for specific framing instructions for the see through configuration.

## CLEARANCES



CLEARANCES	HZO42	HZO60*
A (min.)	18"	22"
B	11"	11"
C	36"	36"
D** (max.)	12"	12"
E	57"	86"
F	36"	36"

\* The same clearances apply for the see through configuration.

\*\* With A at 26-1/2" height (HZ042)

\*\* With A at 22" height (HZ060)

[www.regency-fire.com](http://www.regency-fire.com)

NOTE: All product specifications are subject to change without notice. Before installing refer to the relevant product manual for full and up to date information. Manuals can be downloaded from our website [www.regency-fire.com](http://www.regency-fire.com)

©2017 FPI Fireplace Products International Ltd. Regency®, Regency Horizon™ and Plateau® are the registered or proprietary trademarks of FPI Fireplace Products International Ltd. All rights reserved. Printed in Canada (08/17) Part no. 944-406

your Regency dealer