



Classic™ FP90 Wood Fireplace

Owners & Installation Manual
Canadian Edition



MODEL: FP90

www.regency-fire.com

French Manual: <http://ow.ly/Zvm92>

Manuel en Français: <http://ow.ly/Zvm92>

Tested by:
Tested & Listed By  Portland Oregon USA
OMNI-Test Laboratories, Inc.
Report No. 0219WF010S

Installer: Please complete the details on the back cover and leave this manual with the homeowner.
Homeowner: Please keep these instructions for future reference.

Thank-you for purchasing a **REGENCY FIREPLACE PRODUCT.**

The pride of workmanship that goes into each of our products will give you years of trouble-free enjoyment. Should you have any questions about your product that are not covered in this manual, please contact the REGENCY DEALER in your area. Keep those REGENCY FIRES burning.

"This wood heater has a manufacturer set minimum low burn rate that must not be altered. It is against federal regulations to alter this setting or otherwise operate this wood heater in a manner inconsistent with operating instructions in this manual." Failure to follow the manual details can lead to smoke and CO emissions spilling into the home. It is recommended to have monitors in areas that are expected to generate CO such as heater fuelling areas.

"U.S. ENVIRONMENTAL PROTECTION AGENCY Certified to comply with 2015 particulate emission standards using crib wood". Not approved for sale after May 15, 2020."

Model Regency FP90/R90/EX90 – 3.8 g /hr.

SAFETY NOTE: If this woodstove is not properly installed, a house fire may result. For your safety, follow the installation instructions, contact local building, fire officials, or authority having jurisdiction about restrictions and installation inspection requirements in your area.

The following statements are required by the Environmental Protection Agency:

"This manual describes the installation and operation of the Regency FP90/R90/EX90 wood heater. This heater meets the 2015 U.S. Environmental Protection Agency's crib wood emission limits for wood heaters. Under specific test conditions this heater has been shown to deliver heat at rates ranging from 11,700 BTU/hr. to 42,300 BTU/hr." This unit has been tested using 5G series and generates the best efficiency when operated using well-seasoned wood and installed in the main living areas where the majority of the chimney is within the building envelope and fully lined."

"It is against federal regulation to operate this wood heater in a manner inconsistent with operating instructions in this manual, or if any parts are removed. " It is against federal regulation to operate this wood heater in a manner inconsistent with operating instructions in this manual.

CAUTION: BURN UNTREATED WOOD ONLY. OTHER MATERIALS SUCH AS WOOD PRESERVATIVES, METAL FOILS, COAL, PLASTIC, GARBAGE, SULPHUR OR OIL MAY DAMAGE THE HEATER

"This heater is designed to burn natural wood only. Higher efficiencies and lower emissions generally result when burning air dried seasoned hardwoods, as compared to softwoods or to green or freshly cut hardwoods."

DO NOT BURN:

- Treated wood
- Coal
- Garbage
- Cardboard
- Solvents
- Colored Paper
- Trash
- Lawn clippings or yard waste
- Materials containing rubber including tires
- Materials containing plastic
- Waste petroleum products , paints or paint thinners or asphalt products
- Materials containing asbestos
- Construction or demolition debris
- Railroad ties
- Manure or animal remains
- Saltwater driftwood or other previously salt water saturated materials
- Unseasoned wood
- Paper products, cardboard, plywood or particle board. The prohibition against burning these materials does not prohibit the use of fire starters made from paper, cardboard, saw dust, wax and similar substances for the purpose of starting a fire in a wood heater

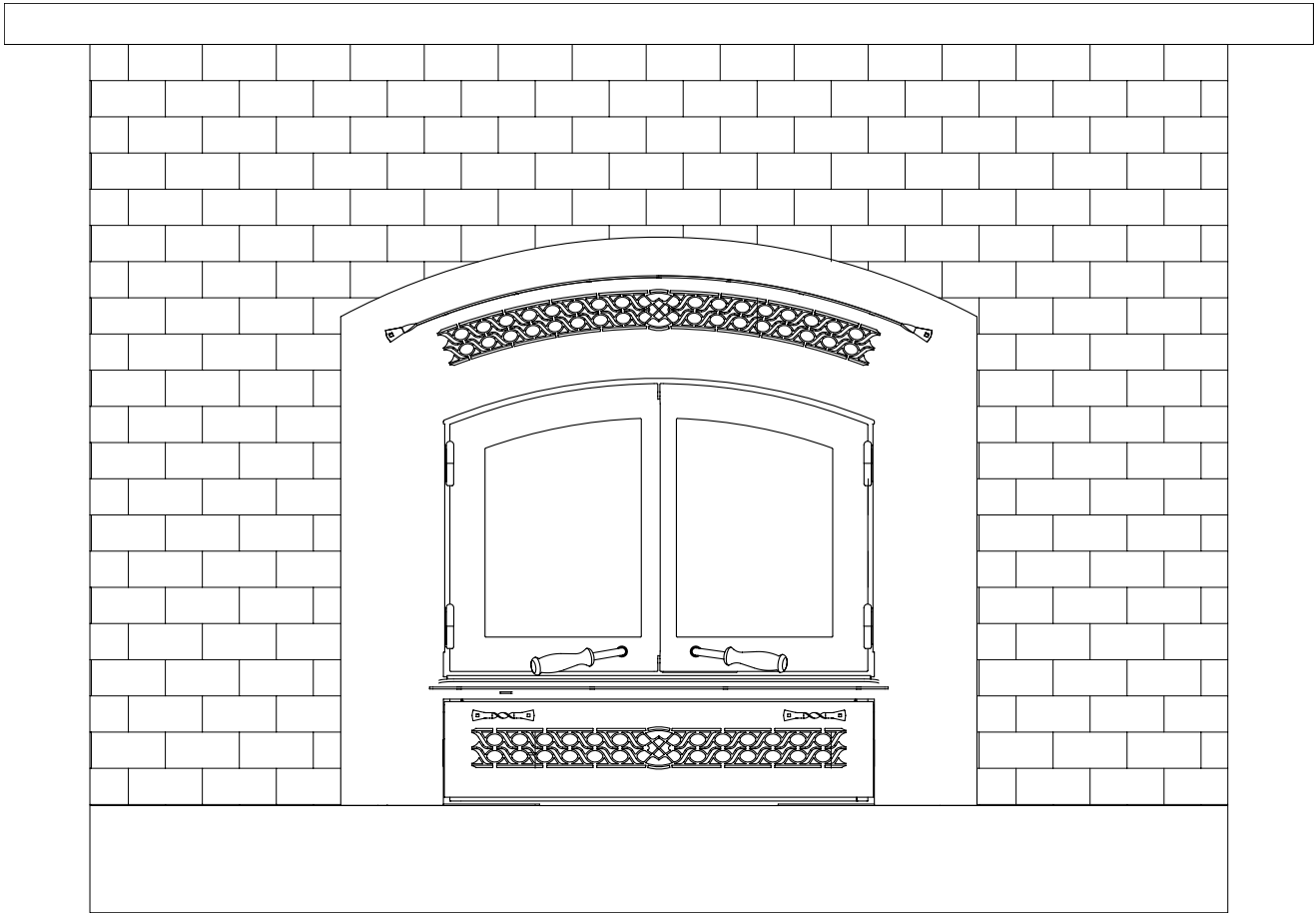
Burning these materials may result in release of toxic fumes or render the heater ineffective and cause smoke.

The authority having jurisdiction (such as Municipal Building Department, Fire Department, Fire Prevention Bureau, etc.) should be consulted before installation to determine the need to obtain a permit.

This unit must be connected to either a listed factory built chimney suitable for use with solid fuels and conforming to ULC629 in Canada or UL-103HT in the United States of America or code approved masonry chimney with flue liner.

FP90/R90/EX90 are tested and certified to ULC S610-M87 (R2016) and UL 127-2011 (R2015).

SAVE THESE INSTRUCTIONS



NATIONAL FIREPLACE INSTITUTE
NFI
CERTIFIED
www.nficertified.org

We recommend that our products be installed and serviced by professionals who are certified in the U.S. by the National Fireplace Institute® (NFI) or in Canada by Wood Energy Technical Training (WETT).

Wood Energy Technical Training
www.wettinc.ca

4 | table of contents


Safety Label For FP90.....	5	Masonry Liner / Bricks.....	21
Product Details.....	6	Glass.....	21
EPA Certified.....	6	Installation.....	21
Options.....	6	Secondary Air Tube Installation.....	21
Read Before You Install.....	7	Ash Drawer Kit Option.....	22
Dimensions And Specifications.....	8	Safety Precautions.....	22
Clearances and Height Requirements.....	9	Ash Drawer Kit Installation.....	22
Installation Of Nailing Strips.....	10	Ash Drawer Operating Guideline.....	22
Fireplace Enclosure Framing.....	10	Fan installation.....	23
Unit Base Stand-offs.....	10	Masonry cover plate installation.....	24
Framing Details.....	11	Finishing trim kit installation.....	26
Location Of Fireplace.....	11	Fireplace screen installation.....	28
Hearth Extension.....	11	Regency louver installation.....	29
How To Determine If Alternate Floor Protection Materials Are Acceptable.....	11	Excalibur faceplate installation.....	30
Chimney System Considerations.....	12	Excalibur accent kit installation.....	31
Chimney Height.....	12	HEATWAVE KIT (Not epa approved)	
Chase Enclosure.....	12	Listings And Code Approvals.....	32
Before You Start.....	12	General Information.....	32
INSTALLATION COMPONENTS DIAGRAM.....	12	Important Installation Notes.....	32
Installation Components.....	12	Parts.....	32
Installation Measurements / framing Details.....	13	Minimum Framing Clearances.....	33
Assembly Steps.....	14	B) All Models:.....	33
Installing The Stand-offs.....	14	Installation.....	33
Set The Regency FP90 Into Position.....	14	A) R90 / EX90 Models:.....	33
Installing The Chimney System.....	14	Wiring Diagram.....	34
Offset Chimney Installation.....	15	Operation.....	34
Installing The Outside Air Kit.....	16	Maintenance.....	34
Minimum Recommended Flue Height In Feet.....	16	Seasoned wood.....	35
Required Firestop, Radiation Shield, Or Attic Insulation Shield.....	16	Operating Instructions.....	36
Wiring The Fp90.....	17	Draft Control.....	36
Installing The		First Fire.....	36
Blower Systems.....	17	Safety Guidelines.....	36
Gravity Air Feed Kit Option.....	17	Plated Finishes.....	37
Internal Blower with Thermo-Disc.....	17	Door Gasket.....	37
Finishing The Regency FP90.....	18	Door Hinges.....	37
Completing The Facing.....	18	Glass Cleaning.....	37
Non-self Supporting, Thin Veneer Facades Installation.....	18	Glass Removal /replacement.....	37
Masonry Retainer Kit Option.....	19	Chimney Cleaning.....	37
Finishing Details.....	20	Parts List- Firebox & Body.....	38
Completing The Mantle.....	20	Parts List- Baffles, Door, Options.....	39
		Warranty.....	40

**ALL PICTURES / DIAGRAMS SHOWN THROUGHOUT THIS MANUAL ARE FOR ILLUSTRATION PURPOSES ONLY.
ACTUAL PRODUCT MAY VARY DUE TO PRODUCT ENHANCEMENTS.**

This is a copy of the label that accompanies each Regency Fireplace. It is located inside the lower louver opening on the left side. We have printed a copy of the contents here for your review.

NOTE: Regency units are constantly being improved. Check the label on the unit and if there is a difference, the label on the unit is the correct one.

SAFETY LABEL FOR FP90



LISTED FACTORY BUILT FIREPLACE
UL LISTED MODEL: FP90
FPI WOOD FIREPLACE MODEL: FP90

Install and use only in accordance with the manufacturer's installation and operating instructions.

287
 Duplicate Serial #
Serial Number
287

DO NOT REMOVE THIS LABEL

IN CANADA
TESTED TO: ULCC-1068/ (R2015)
REPORT NO. Q21919F005

MINIMUM CLEARANCES TO COMBUSTIBLE MATERIALS /
DÉGAGEMENT MINIMUM DE MATÉRIEL COMBUSTIBLES

Side Wall 24 in. / 610 mm From edge of top vent.
 Mantel 18 in. / 457 mm From top vent.
 Mantel Projection 10 in. / 254 mm From face.
 (Refer to Manual)

Unit Top, Back, Sides and Bottom 0 in. / 0 mm Test and off
 Hearth Extension 40 in. / 1016 mm. Width
 18 in. / 457 mm. Depth

IN USA
TESTED TO: UL127-2011 (R2015)
REPORT NO. Q21919F005

MINIMUM CLEARANCES TO COMBUSTIBLE MATERIALS

Side Wall 18 in. / 457 mm From edge of top vent.
 Mantel 18 in. / 457 mm From top vent.
 Mantel Projection 10 in. / 254 mm From face.
 (Refer to Manual)

Unit Top, Back, Sides and Bottom 0 in. / 0 mm Test and off
 Hearth Extension 40 in. / 1016 mm. Width
 18 in. / 457 mm. Depth

ELEMENTS REQUIS POUR L'INSTALLATION :

Protéger le plancher avec un revêtement incombustible d'une épaisseur de 13 mm (1/2 po), a l'arrière de la cheminée. Voir le manuel d'installation pour plus de détails. Voir le manuel d'installation pour plus de détails.

- Utiliser un conduit isolé flexible de 152 mm (6 po) de diamètre avec un dispositif d'entrée d'air comburant.

OPTIONAL COMPONENTS:
 AshDrawer, Flue Adaptor 6-7 in., Fan, Surround Black, Surround Polished Gold, Surround Antique Nickel, Lower Flush Black, Lower Flush Black/Gold, Lower Flush Black/Steel, Surround Accent Escalibur, Wood Screen, Finishing Trim, Masonry Retainer Kit, Heatwave Kit and Gravity Kit.

ELEMENTS OPTIONNELS :
 (Surround Black), bordure doors poêle (Surround Polished Gold), bordure nickel antique (Surround Antique Nickel), lames d'aération encadrées noires (Lower Flush Black), lames d'aération noir et or (Lower Flush Black/Gold), lames d'aération encadrées noir et acier (Lower Flush Black/Steel), kit de finition Escalibur, kit de finition Escalibur, kit de finition Escalibur, bois, garniture de finition, ensemble de fixation sur maçonnerie, ensemble de diffusion de chaleur HeatWave et ensemble d'alimentation d'air par gravité.

FOR USE WITH SOLID WOOD FUEL ONLY.
 Do not overfire the fireplace. Operate only with viewing doors fully closed or fully open when optional fire screen is used. Firebricks must be in place during operation. Combustible materials are not permitted on face of unit. Do not obstruct combustion air inlet. Do not use a fireplace insert or other products not specified for use with this product. This fireplace has not been tested with an unvented gas log set. To reduce risk of fire or injury, do not install an unvented gas log set into the fireplace. Replace glass only with 5 mm neoceramic glass. Electric rating: 115V - 60Hz - 1.2AMPS

N'UTILISER QUE DU COMBUSTIBLE SOLIDE.
 Évitez de faire surchauffer le foyer. Ne faire fonctionner qu'avec les portes complètement fermées, ou bien en ouvrant les portes pendant l'utilisation. Les briques doivent être en place pendant l'utilisation. Ne pas utiliser avec des matériaux combustibles devant l'âtre. Ne pas obstruer l'entrée d'air comburant. Ne pas utiliser avec des inserts ou foyers encastrables non compatibles ou d'autres produits inappropriés. Pour prévenir le risque d'incendie ou de blessures, ne pas installer de foyer au gaz non ventilé dans une cheminée. Ce foyer n'a pas été testé avec un ensemble de logs à gaz non ventilés. Pour réduire le risque d'incendie ou de blessures, ne pas installer d'ensemble de logs à gaz non ventilés dans une cheminée. Remplacer le verre uniquement de 5 mm. Caractéristiques électriques assignées: 115 V - 60 Hz - 1,2 A.

FOR USE WITH SOLID WOOD FUEL ONLY.
 Do not overfire the fireplace. Operate only with viewing doors fully closed or fully open when optional fire screen is used. Firebricks must be in place during operation. Combustible materials are not permitted on face of unit. Do not obstruct combustion air inlet. Do not use a fireplace insert or other products not specified for use with this product. This fireplace has not been tested with an unvented gas log set. To reduce risk of fire or injury, do not install an unvented gas log set into the fireplace. Replace glass only with 5 mm neoceramic glass. Electric rating: 115V - 60Hz - 1.2AMPS

COMPONENTS REQUIRED FOR INSTALLATION:
 AshDrawer, Flue Adaptor 6-7 in., Fan, Surround Black, Surround Polished Gold, Surround Antique Nickel, Lower Flush Black, Lower Flush Black/Gold, Lower Flush Black/Steel, Surround Accent Escalibur, Wood Screen, Finishing Trim, Masonry Retainer Kit, Heatwave Kit and Gravity Kit.

OPTIONAL COMPONENTS:
 (Surround Black), bordure doors poêle (Surround Polished Gold), bordure nickel antique (Surround Antique Nickel), lames d'aération encadrées noires (Lower Flush Black), lames d'aération noir et or (Lower Flush Black/Gold), lames d'aération encadrées noir et acier (Lower Flush Black/Steel), kit de finition Escalibur, kit de finition Escalibur, kit de finition Escalibur, bois, garniture de finition, ensemble de fixation sur maçonnerie, ensemble de diffusion de chaleur HeatWave et ensemble d'alimentation d'air par gravité.

COMPONENTS REQUIRED FOR INSTALLATION:
 AshDrawer, Flue Adaptor 6-7 in., Fan, Surround Black, Surround Polished Gold, Surround Antique Nickel, Lower Flush Black, Lower Flush Black/Gold, Lower Flush Black/Steel, Surround Accent Escalibur, Wood Screen, Finishing Trim, Masonry Retainer Kit, Heatwave Kit and Gravity Kit.

OPTIONAL COMPONENTS:
 (Surround Black), bordure doors poêle (Surround Polished Gold), bordure nickel antique (Surround Antique Nickel), lames d'aération encadrées noires (Lower Flush Black), lames d'aération noir et or (Lower Flush Black/Gold), lames d'aération encadrées noir et acier (Lower Flush Black/Steel), kit de finition Escalibur, kit de finition Escalibur, kit de finition Escalibur, bois, garniture de finition, ensemble de fixation sur maçonnerie, ensemble de diffusion de chaleur HeatWave et ensemble d'alimentation d'air par gravité.

MADE IN CANADA

FPI Fireplace Products International Ltd. Delta, BC, Canada

MANUFACTURED

918-424

FP90 Wood Fireplace | 5

PRODUCT DETAILS

EPA Certified

Flue Size	:	8" (203mm) Diameter
Log Size	:	20" (508mm)
Shipping Weight	:	612 lbs (278kg)
Stripped Weight	:	570 lbs (259kg)

Options

Ashdrawer R90/EX90
Fan R90/EX90
Surround Black EX90
Louver Flush Black R90
Wood Screen R90/EX90
Gravity Vent Kit R90
8" (203mm) - 7" (178mm) Adaptor R90/EX90
1" Unit Base Standoffs
Heatwave Kit

READ BEFORE YOU INSTALL THE FIREPLACE

This installation manual will enable you to make a safe, efficient and dependable installation of your fireplace and chimney system. Please read and understand these instructions before beginning your installation.

Do not alter or modify the fireplace or its components under any circumstances. Any modification or alteration of the fireplace system, including but not limited to the fireplace, chimney components and accessories, may void the warranty, listing and approvals of this system and could result in an unsafe and potentially dangerous installation.

PLEASE RETAIN THIS MANUAL FOR FUTURE REFERENCE.

IMPORTANT: Please read and follow these rules for safety.

- 1) Before starting your fireplace installation, read these installation instructions carefully to be sure you understand them in their entirety. Failure to follow them could cause a fireplace malfunction resulting in serious injury and/or property damage.
- 2) Always check with your local building department, fire department and local authorities prior to installation to determine the need to obtain a permit.
- 3) This model fireplace must be installed with one of the chimney systems listed in the Chimney Section in this manual. These systems are intended for use as a residential type appliance. The chimney must always vent to the outside of the building.
- 4) **WARNING: THIS FIREPLACE HAS NOT BEEN TESTED WITH AN UNVENTED GAS LOG SET. TO REDUCE RISK OF FIRE OR INJURY, DO NOT INSTALL AN UNVENTED GAS LOG SET INTO THE FIREPLACE.**
- 5) To ensure a safe fireplace system and to prevent the build-up of soot and creosote, inspect and clean the fireplace and chimney prior to use and periodically during the heating season.
- 6) Use solid fuel only. DO NOT use artificial logs containing petroleum products, chemical chimney cleaners, gas logs, gas lighters, salt contaminated wood or flame colorants in your fireplace. When using compressed sawdust logs use only at 1/3 capacity since these get very hot and expand.
- 7) DO NOT use charcoal or coal under any circumstances.
- 8) NEVER use gasoline, gasoline-type lantern fuel, kerosene, charcoal lighter fluid, or any liquid to start or “freshen up” a fire in this fireplace. Keep any flammable liquid a safe distance from the fireplace.
- 9) Ashes should be placed in a metal container with a tight-fitting lid. The closed container of ashes should be placed on a non-combustible floor or on the ground, well away from all combustible materials, pending final disposal. If the ashes are disposed of by burial in soil or otherwise locally dispersed, they should be retained in the closed container until all cinders have thoroughly cooled.
- 10) **WARNING: Only operate fireplace with doors fully open when optional fire screen is used.**
- 11) NEVER leave children unattended when there is a fire burning in the fireplace.
- 12) Allow the fireplace to cool before servicing. Always shut-off any electricity to the fireplace while working on it. This will prevent any possible electrical shock.
- 13) **Regency is not responsible for any smoking or related problems that may result from the lack of adequate combustion air. It is the responsibility of the installer to ensure that adequate combustion air has been provided for the fireplace.**
- 14) FPI Fireplace Products International Ltd. does not warranty “smoke-free” operation nor are we responsible for inadequate system draft caused by mechanical systems, general construction conditions, inadequate chimney heights, adverse wind conditions and/or unusual environmental factors or conditions beyond our control.
- 15) **IMPORTANT:** Check with your local building department as to the requirements of sealing any penetrations to the exterior. This will ensure that the integrity of the building is intact.
- 16) **DO NOT** use a fireplace insert or any other product not specified by Regency for use with this fireplace.
- 17) **NEVER**, under any circumstances, install a fireplace, chimney component or any accessories, supplied by Regency, that have visible or suspected physical damage as a result of handling or transportation. These items should be inspected by a Regency dealer or qualified factory representative to ensure safe condition. When in doubt, consult your Regency dealer.
- 18) It is recommended that power is supplied to the terminal block of the unit to allow for the installation of blower components now or at a future date.

<p>Emissions from burning wood or gas could contain chemicals known to the State of California to cause cancer, birth defects or other reproductive harm.</p>

DIMENSIONS AND SPECIFICATIONS

The Regency is a wood burning fireplace featuring a self-contained heat-circulating system and cast-iron doors with large viewing windows. A set of andirons are installed in the firebox to properly position the fire, do not remove them.

Note: Illustrations shown reflect “typical” installations with nominal dimensions and are for design and framing reference only. Actual installations may vary due to individual design preferences. However, always maintain minimum clearances to combustible materials and do not violate any specific installation requirements.

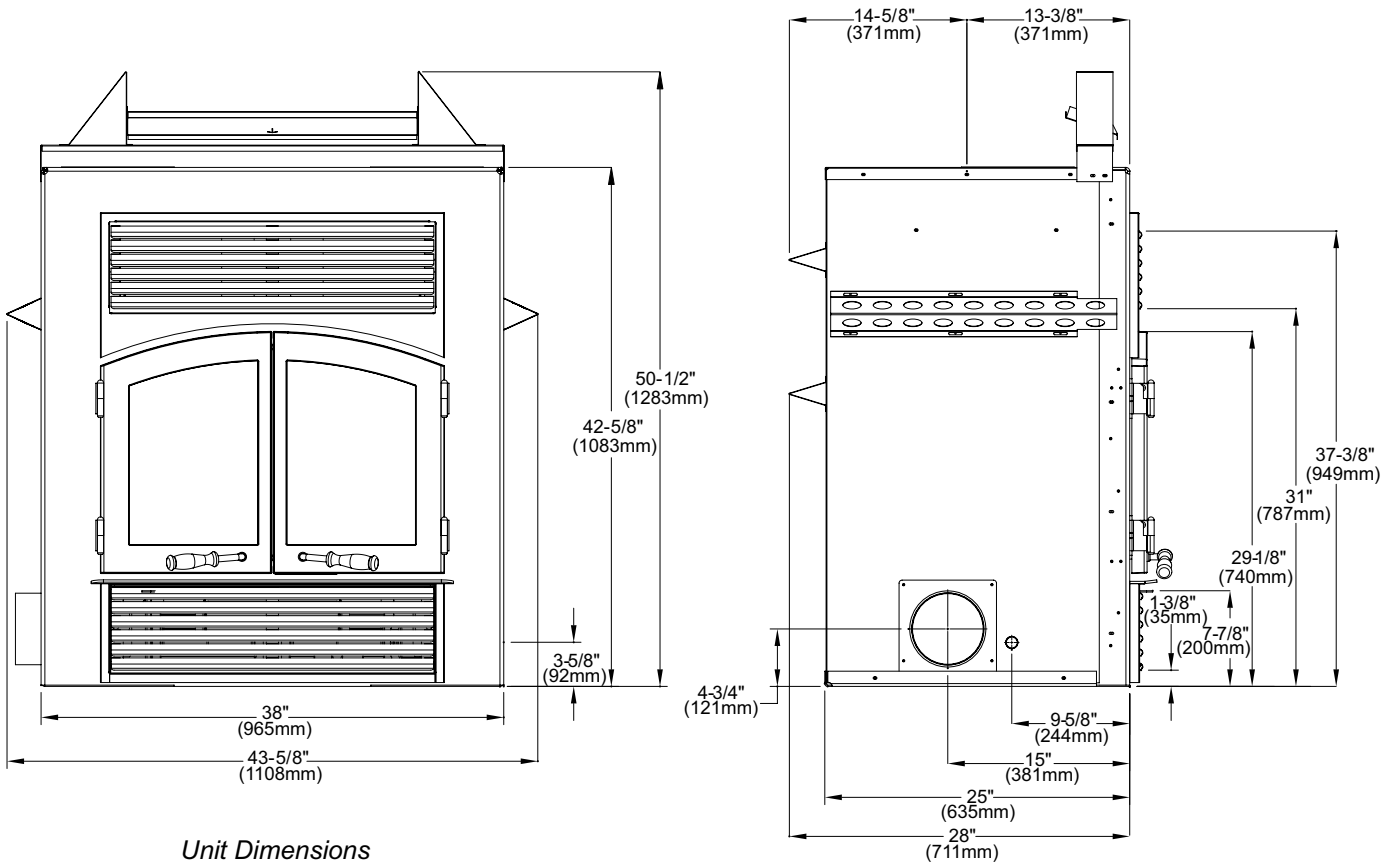
The Regency fireplace has been tested and listed by OMNI Test Laboratories, Inc. to ULCS610 Standard for Canada installations. This unit is intended for installation in conventional homes and buildings of conventional construction, not in mobile homes.

This fireplace system is designed for installation in accordance with the National Fire Protection Standard for chimneys, fireplaces and solid fuel burning appliances; NFPA211 and in accordance with codes such as the BOCA Basic National Codes, the Standard Mechanical Code, Uniform Building Codes or applicable local codes.

FAILURE TO USE PARTS MANUFACTURED BY FPI FIREPLACE PRODUCTS INTERNATIONAL, LTD., OR VARIATIONS IN TECHNIQUES AND CONSTRUCTION MATERIAL DESCRIBED IN THIS MANUAL, MAY CREATE A FIRE HAZARD AND VOID REGENCY’S WARRANTY.

The FP90 main unit consists of the following:

- 1) The main fire box and heat exchanger
- 2) Double doors with ceramic glass
- 3) Vermiculite side panels and baffle
- 4) The insulated outside air duct
- 5) Hearth Safety Strip
- 6) 1" unit base stand-offs
- 7) Nailing Strips



Unit Dimensions

CLEARANCES AND HEIGHT REQUIREMENTS

The FP90 may be placed on or near construction materials. The combustion air kit, fire stop spacer and roof flashings (not chase flashings) may be placed directly on or against normal construction materials. The chimney requires a minimum 2" (51mm) clearance. A combustible mantle (to a depth of 10", 254mm) may be installed no closer than 18" (457mm) above the warm air vent or 55-1/2" (1410mm) from bottom of unit.

The chimney must be enclosed when installed in or passing through a living area where combustible material or people may come in contact with it. This is important to prevent possible personal injury or fire hazard.

For any further information, please call your dealer. Special restrictions apply to the front and facing of the fireplace and nearby walls.

WARNING: If insulation is used, do not place the unit against it. Insulation or vapor barriers, if used, must be secured to assure insulation and vapor barriers remain in place and do not affect the required air spaces.

No Combustibles on Face of Unit.

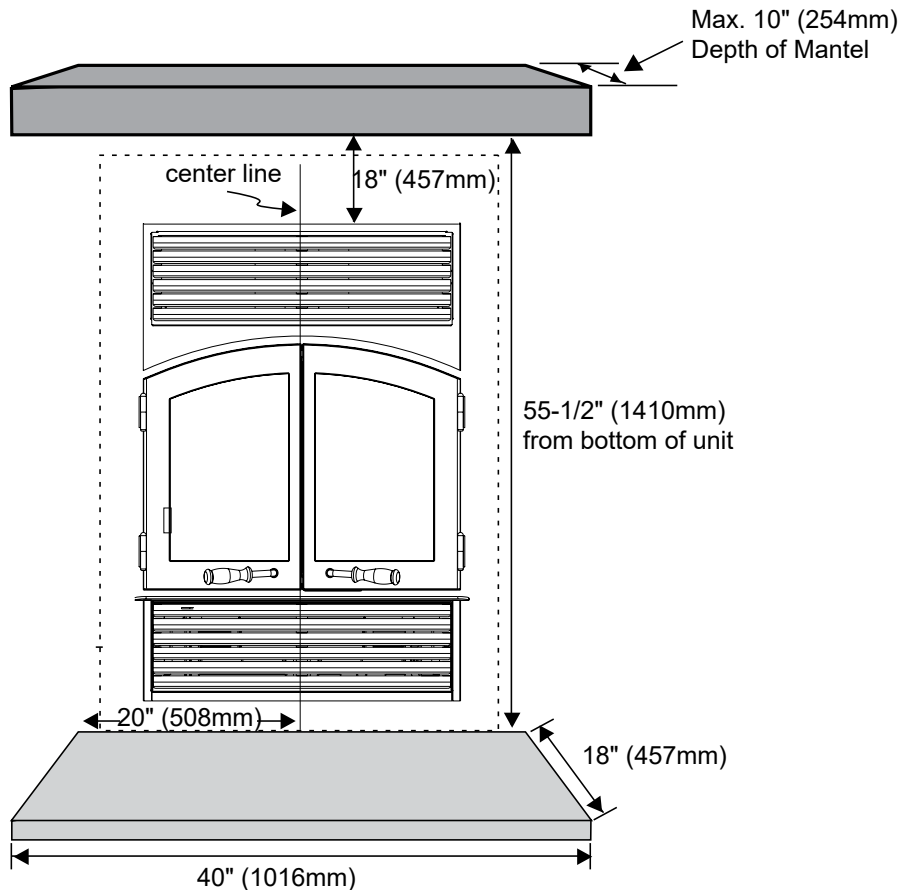
Combustibles May Not Extend to Unit Face.

Do not notch wallboard around standoffs.

WARNING: Do not pack or fill required air spaces with insulation or other material. No material of any kind is allowed in these areas.

NOTES:

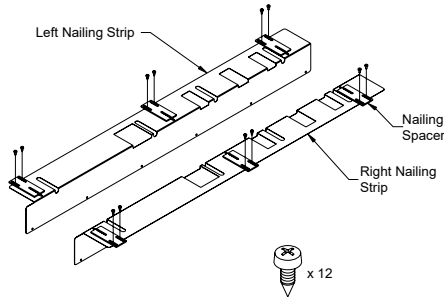
- 1) Do not insulate the chase cavity with blown or fill type insulation materials.
- 2) Local codes may not require firestopping at the ceiling level for outside chase installations; however, it is recommended for safety and the reduction of heat loss.
- 3) We recommend that you insulate at least the first floor of the chase to prevent heat loss.
- 4) Some local codes require 1 hour fire rating on one or all sides of fire chases. Check with your local authorities.



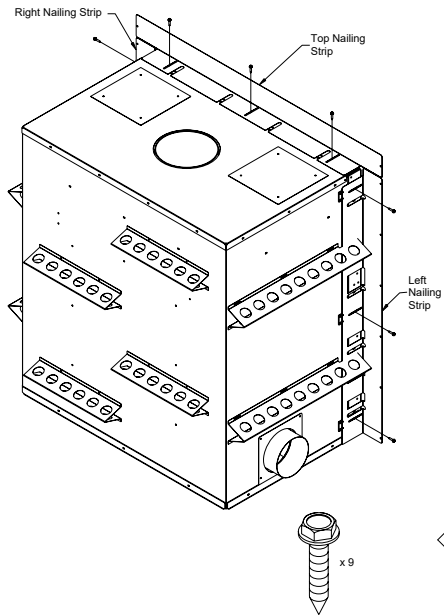
Clearances to Combustibles

INSTALLATION OF NAILING STRIPS

- 1) Assemble 3 Nailing Strip Spacer Plates to the left and the right Nailing Strips as shown below.



- 2) Mount Nailing Strips left, right and top to the positions indicated below.



NOTE:

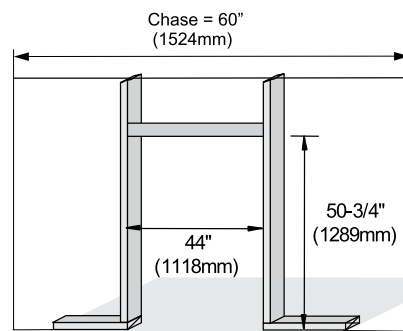
Nailing Strips are adjustable to allow for correct offset from the front of the fireplace for your current application.

There are two adjustments to allow for maximum offset (1", 25mm recessed from front of fireplace or 1.25", 32mm extending past front of fireplace). The Nailing Strip Spacers can be adjusted by loosening the two screws securing them to the Nailing Strips. The Nailing Strips can also be moved forward and back by adjusting the screws that mount them to the fireplace.

FIREPLACE ENCLOSURE FRAMING

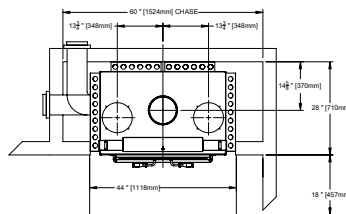
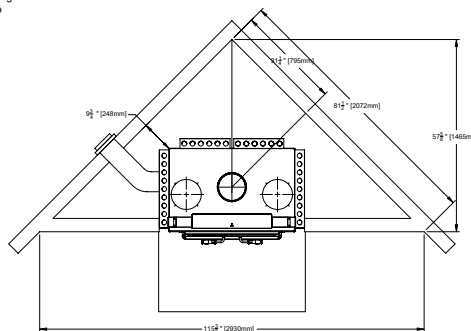
As per the diagram, the framing of the main enclosure should not infringe on the area above the fireplace to the ceiling level. The rear and side walls as well as the face above the fireplace must not extend into the area above the unit. The only structure allowed above the unit is on the stand-offs at the front of the unit supporting the header.

The enclosure walls can be framed using any suitable material (2x4 - 2x6 studs, plywood, gyproc, etc.), **Normally, framing will be set back to allow Non-Combustible Material to be flush with the front of the fireplace.**

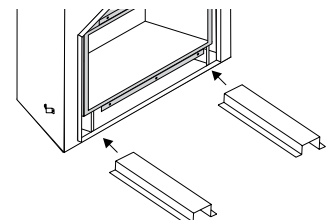


Framing Specifications

See page 12 for detailed framing specifications.



Building Structures Cannot Encroach on Chase



There is framing only on the front of the unit. When framing in the header (directly above the fireplace) **DO NOT** bring any combustible material lower than the top of the stand-offs. Framing header may be positioned on end directly on top of the front fireplace stand-offs. Be sure to seal the space between the fireplace and the enclosure above and on either side of the unit with Wonderboard, Durock or other similar non-combustible sheeting to prevent hot air from entering the enclosure.

CAUTION: ONLY NON-COMBUSTIBLE MATERIAL LIKE EXPANDED METAL OR CONCRETE BOARDS SUCH AS WONDERBOARD AND DUROCK, ETC. MAY BE USED IN THE SPACE BETWEEN THE UNIT AND THE FRAMING IN FRONT OF THE UNIT ONLY.

Note: If the fireplace is being cantilevered through an outside wall, the entire enclosure (floor, wall and false ceiling) up to the first ceiling level must be completely insulated and vapor sealed and sheathed, to avoid transfer of cold air through the fireplace when not in use.

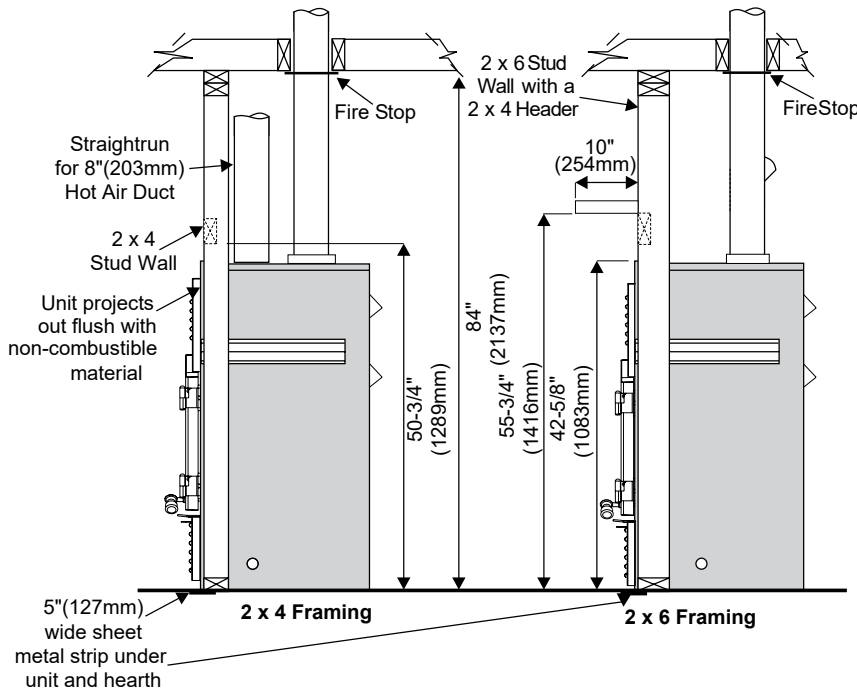
UNIT BASE STAND-OFFS

To accommodate varying thicknesses and finishes of hearth materials, we have increased the overall height of the appliance by a further 1 1/8". This increase is added with the inclusion of two stand-offs at the bottom of the unit, below the outer box, taking the overall height of the framing dimensions from 50-3/4" up to 51-7/8".

In the event that you should choose to use thinner materials to finish the hearth, you can omit the stand-offs provided for raising the unit. However, we recommend that you leave the framing dimensions as they are in the manual and alter only the facing requirement by reducing it by the same distance that you have lowered the unit.

Insert the 2 unit base stand-offs underneath the unit as shown in the diagram below. Space the stand-offs centrally, approximately 2 or 2-1/2 feet apart. Ensure that the unit is not unstable.

FRAMING DETAILS



Note: The “Z” type safety strip is not supplied by Regency and must be fabricated locally.

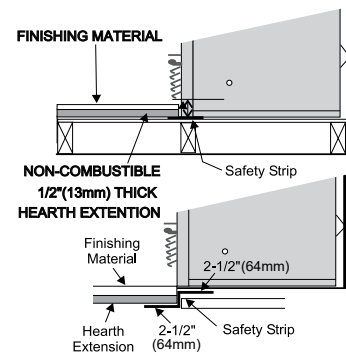


Diagram 1

How To Determine If Alternate Floor Protection Materials Are Acceptable

The specified floor protector should be 1/2" (13mm) thick material with a k-factor of 0.84.

The proposed alternative is 4" (102mm) brick with a C-factor of 1.25 over 1/8" (3mm) mineral board with a k-factor of 0.29.

Step (a): Use formula above to convert specification to R-value.
 $R = 1/k \times T = 1/0.84 \times .75 = 0.893.$

Step (b): Calculate R of proposed system.
 4" brick of C = 1.25, therefore $R_{brick} = 1/C = 1/1.25 = 0.80$
 1/8" mineral board of k = 0.29, therefore $R_{min.bd.} = 1/0.29 \times 0.125 = 0.431$
 Total R = $R_{brick} + R_{mineral\ board} = 0.8 + 0.431 = 1.231.$

Step (c): Compare proposed system R of 1.231 to specified R of 0.893. Since proposed system R is greater than required, the system is acceptable.

DEFINITIONS

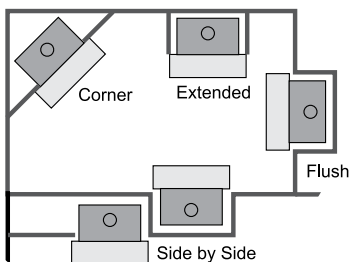
Thermal Conductance:
 $C = \frac{Btu}{(hr)(ft^2)(oF)} = \frac{W}{(m^2)(k)}$

Thermal Conductivity:
 $k = \frac{Btu}{(hr)(ft^3)(oF)} = \frac{W}{(m)(k)}$

Thermal Resistance:
 $R = \frac{(ft^2)(hr)(oF)}{Btu} = \frac{(m^2)(k)}{W}$

LOCATION OF FIREPLACE

- Carefully select the proper location for heat circulation, aesthetics, chimney obstructions and clearance to side wall(s). With proper pre-planning, a slight adjustment of a few inches can save considerable time and expense later during construction and assembly.
- Carefully consider the position of the fireplace opening with respect to the location of adjacent or nearby stairwells, bath or kitchen exhaust fans and/or return air registers for forced air furnaces/air conditioners that could cause a smoking fireplace condition if the house is tightly insulated.
- Fireplace must be anchored to the framing to prevent movement or rocking; use the



nailing strips which have been supplied. The nailing strips are installed to the side of the unit and to the front side of the 2 x 4 or 2 x 6.

HEARTH EXTENSION

NOTE: Hearth must have 1/2" (13mm) Millboard under finish material with minimum "k" factor of 0.84. When unit is raised 4" (102mm), the thermal floor protection is not required. If you plan to raise the fireplace and hearth extension, build the platform assembly then position fireplace and hearth extension on top. If you are not raising the unit, check that you will have sufficient clearance under the bottom louver for your finishing material on top of the hearth extension, i.e. tiles, concrete board, etc.

- Insert the metal safety strip, packaged with the fireplace beneath the fireplace as illustrated in Diagram 1 below. The safety strip should be tacked down to prevent possible shifting and should overlap for continual coverage of the floor.

Note: A safety strip is not required when the fireplace rests on a non-combustible surface.

Note: Install the hearth extension only as illustrated.

The safety strip should extend 2 in. (51 mm) in front and on the sides of the fireplace. In the event a wooden support is used to elevate the fireplace above the floor, a "Z" type safety strip should be fabricated from 20 gauge galvanized sheet steel and used to protect the front surface of the wood support as well as the floor beneath the hearth extension.

CHIMNEY SYSTEM CONSIDERATIONS

Regency's FP90 Fireplace is to be installed with one of the following Chimney Systems only. Chimney systems only 7" (178mm) or 8" (203mm) diameter are to be used.

In Canada

Any of the following ULCS 629 listed chimney systems may be used:

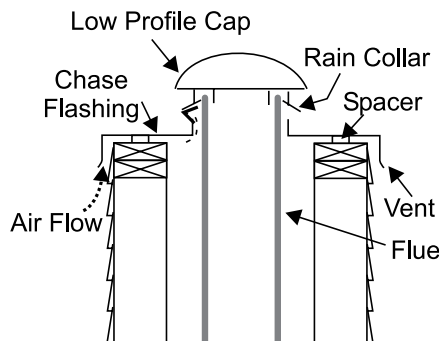
- 1) CF Sentinal
- 2) SuperPro 2100+
- 3) SuperVent 2100+
- 4) Security S-2100+
- 5) Oliver Macleod HT6000+
- 6) Dura Plus HTC
- 7) ICC Excel 2100
- 8) Ventis 2100

Note: 8" (203mm) - 7" (178mm) adapter is mandatory for installation using 7" (178mm) chimney. Anchor plate must be purchased with selected chimney system from Chimney Supplier.

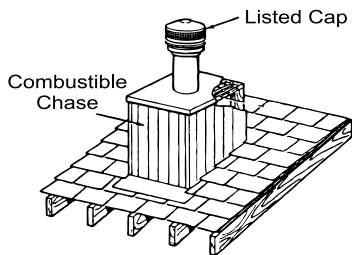
The use of only one of these systems is permitted when installing the fireplace. Do not alter or mix parts from other systems as this may cause a potential hazard and void Regency's limited warranty.

Chimney Height

The total height of your chimney system from the top of the fireplace to the chimney cap must not exceed 40'(12m), and must also meet minimum system height requirements. Please refer to the flue manufacturer's instructions for specific details. Refer to Minimum Recommended Flue Height section.



Ventilated Chase Pan

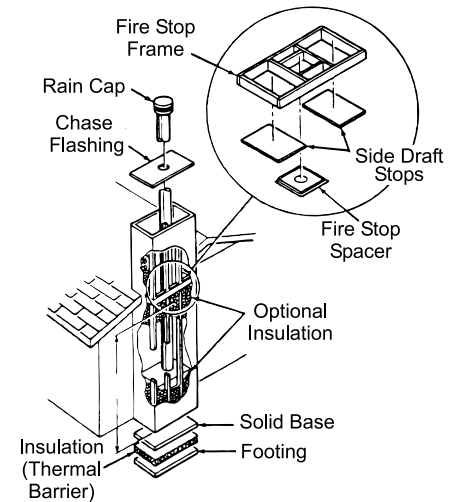


Chase Enclosure

A chase is a vertical box-like structure constructed to surround the fireplace and chimney. A ventilated chase cap is highly recommended. Refer to flue manufacturer's instructions for reduced flue heights above chase terminations. As with all chimney installations, avoid overhead obstructions such as trees, power lines, etc.

A chase should be constructed just like any outside wall, insulated and vapor barriered. Please check with local building authorities. In a cold climate, we recommend the base of the chase be insulated between the solid continuous floor beneath the fireplace and the chase bottom. If used, the value and amount of chase insulation in a cold climate installation is optional and not required for safety. Insulation is recommended to avoid heat loss.

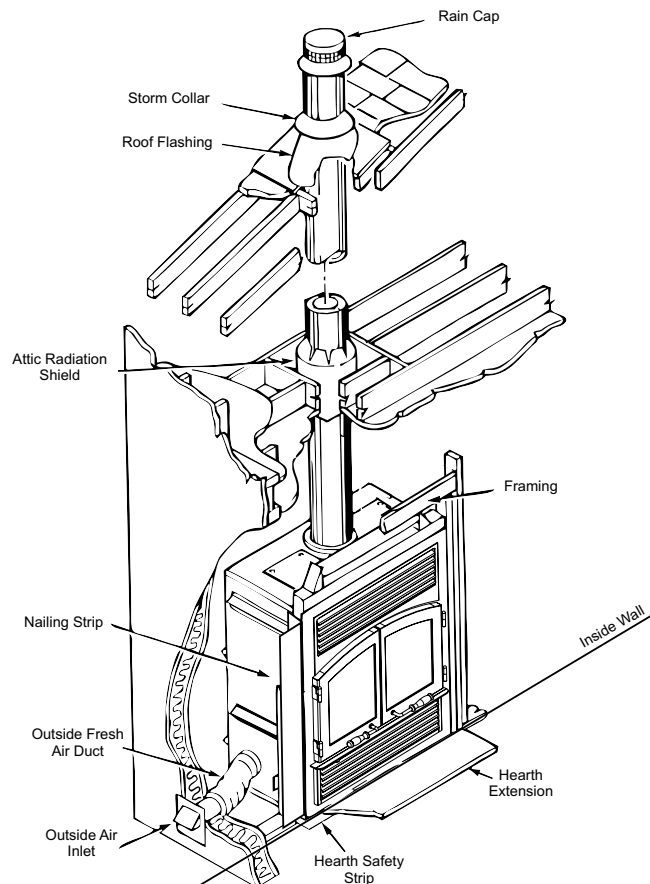
Note: Insulation does not come in contact with Chimney. Maintain a 2" (51mm) clearance.



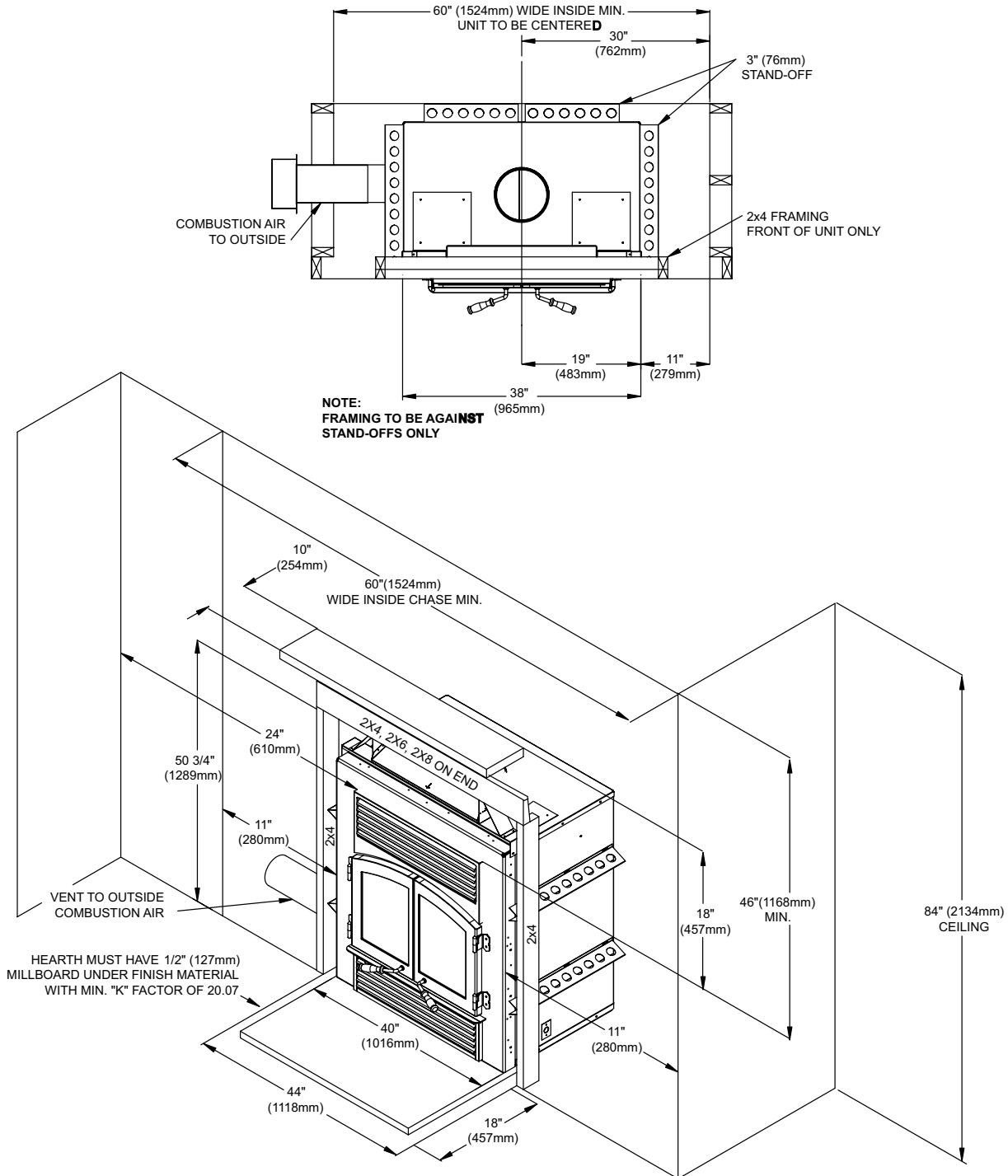
BEFORE YOU START

Check your inventory list to be sure you have all the necessary parts supplied in good usable condition. Check for any concealed damage. Check the operation of the combustion air damper. When the damper is in the fully closed position, the damper handle should be to the left. When damper is in the fully open position, the damper handle must be in the right position.

Installation Components



INSTALLATION MEASUREMENTS / FRAMING DETAILS



NOTES:

- 1) CHASE MUST BE 60" (1524mm) WIDE INSIDE AND UNIT TO BE CENTERED IN OPENING.
- 2) MANTEL MIN. HEIGHT OF 18" (457mm) FROM TOP OF LOUVER OPENING TO UNDERNEATH MANTEL or 55 1/2" (1410mm) FROM BOTTOM OF UNIT.
- 3) MUST HAVE NON-COMBUSTIBLE MATERIAL EXTENDING 11" (280mm) ON EITHER SIDE AND 9" (229mm) ON TOP. 3/8" (10mm) THICK FINISHING MATERIAL TO BE INSTALLED ON TOP OF THIS.
- 4) FRAMING IS SLIGHTLY LARGER THAN UNIT DIMENSIONS TO ALLOW FOR EASIER INSTALLATION (50 3/4", 1289mm H x 44", 1118mm W)
- 5) MUST MAINTAIN A MIN. OF 46" (1168mm) FROM TOP OF LOUVER OPENING TO FINISHED CEILING.
- 6) MUST MAINTAIN A MIN. OF 24" (610mm) TO SIDE WALL FROM THE EDGE OF THE TOP LOUVER OPENING.
- 7) HEARTH MUST BE A MIN. OF 40" (1016mm) WIDE x 18" (457mm) DEEP AND 1/2" (127MM) THICK.

ASSEMBLY STEPS

Note: The following steps represent the normal sequence of installation. Each installation is unique, however, and might require different steps. Each step is dealt with in detail in the following pages.

- 1) Install stand-offs and insulation strip to the unit. See Installing the Stand-offs section on this page.
- 2) Complete framing and installation of nailing strips for the FP90.

IMPORTANT: Remove gold accessories such as louvers while installing to avoid marking.

Position firebox prior to framing or into prepared framing.

- 3) Install the Chimney System.
- 4) Install Outside Combustion Air Kit .
- 5) Hook-up the Wiring.
- 6) Install the Blower.
- 7) Gravity Air Feed Option.
- 8) Complete finish wall material, surround and hearth extension to your individual taste.
- 9) Position vermiculite liner/bricks and ceramic fiber insulation in the unit. Attach louvers, glass, doors, handles.

INSTALLING THE STAND-OFFS

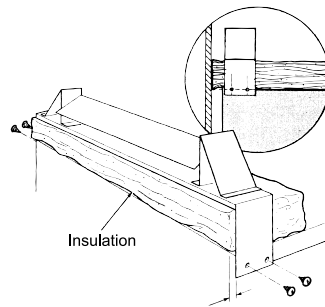
Stand-offs are installed to provide reduced temperatures and proper clearances for the safe installation of your product. They consist of four 3" (76mm) stand-offs on the back, two 3" (76mm) stand-offs on each side and one 8" (203mm) stand-off on the top of the unit.

Attach these stand-offs where indicated in the pre-drilled holes on the unit body.

There is also 1" unit base standoffs that are supplied with the unit. These are optional and are to be used to raise the unit. The thickness of the finished hearth will dictate the height of the stove. Please be careful to ensure that the bottom louver will open when unit is installed with the finished hearth.

IMPORTANT: It is absolutely necessary to attach stand-offs to the unit to avoid combustion problems. Serious overheating of combustible framing and possible fire may result if stand-offs are not properly installed.

IMPORTANT: Under no circumstances can the fireplace top or side spacers be removed or modified. Do not notch the header to be installed closer than the fireplace outside facing spacers.



IMPORTANT: Insulation extends forward to seal against the back of the fireplace masonry or non-combustible face.

SET THE REGENCY FP90 INTO POSITION

- 1) Estimate the total weight of the fireplace system and surround materials such as brick, stone, etc., to be installed. Shipping weight is 612 lbs (278kg).
- 2) Measure the square footage of the floor space to be occupied by the system, surrounds and hearth extensions.
- 3) Note the floor construction, i.e. 2 x 10's, (51 x 250 mm), single or double joists, type and thickness of floor boards and consult your local building code to determine if you need additional support.
- 4) Remove door, firebox bricks, louvers etc.

Note: Set aside Gold louvers away from harsh chemicals and away from abrasive materials to avoid damage, e.g. muriatic acid for masonry wash will strip the gold plate. Firebricks are fragile and should be handled with caution.

The fireplace may be installed directly on a combustible floor or raised on a platform of an appropriate height. Do not place fireplace on carpeting, vinyl or other soft floor coverings. It may, however, be placed on flat wood, plywood, particle board or other hard surfaces. Be sure the fireplace rests on a solid continuous floor or platform for support and to prevent cold air from entering the room from under the fireplace, if against an outside wall.

The fireplace may be positioned and then the framing built around it, or the framing may be constructed and the fireplace positioned into the opening.

The minimum ceiling height is 7ft (2m) from the base of the unit. A suitable non-combustible hearth pad is mandatory in all installations. See Framing Details.

INSTALLING THE CHIMNEY SYSTEM

Following are a set of general guidelines for installation of the chimney system. The more detailed installation manual supplied with the specific chimney system must be followed.

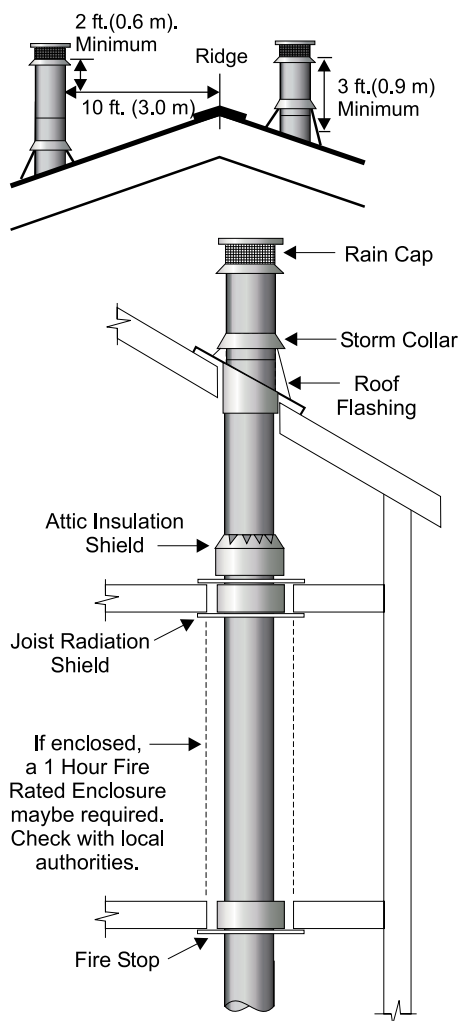
- 1) Using standard construction framing techniques, construct the opening for the chimney route up through the ceiling(s) and roof or through an outside chase. Framing must maintain adequate minimum air space clearance at all times.

CAUTION: Allow a minimum 2" (51mm) chimney air space or as specified by the owner's manual for the chimney, to combustible framing members throughout vertical or offset chimney installation.

- 2) Attach fireplace adaptor/anchor plate to the top of the fireplace. It is important that a tight seal be made with this part and the unit's collar. This must be purchased with your chimney system.
- 3) Install firestop, radiation shield, or attic insulation shield as required at each floor penetration. See Table 1 (page 15). Check chimney manufacturer's framing opening sizes to allow for correct clearances. All parts must be listed.
- 4) The roof flashing should be installed making sure that alignment is correct with openings below.
- 5) Chimney lengths may now be added until the required height is reached. A minimum flue height of 12ft. (4m) from the top of the unit is mandatory. Please refer to Table 2 for Flue Heights (page 15).

The performance of your unit is governed to a very large extent by the chimney system. Too short a chimney can produce poor drafting which in turn can cause difficult start-up, dirty glass, smoking out door and even reduced heat output. Too tall a chimney may prompt excessive draft which can result in very short burn times and excessive heat output. The chimney must extend at least 3ft. (0.9m) above its point of penetration of the roof. It must also be at least 2ft. (0.6m) higher than any point of a roof, wall, or building within 10ft. (3m) of it.

- 6) The raincap and storm collar should now be fastened to the top of the chimney. Install additional support(s) as indicated by chimney manufacturer's instructions.



Draft is the force which moves air from the appliance up through the chimney. The amount of draft in your chimney depends on the length of the chimney, local geography, nearby obstructions and other factors. Too much draft may cause excessive temperatures in the appliance and may cause damage. An uncontrollable burn or excessive temperature indicates excessive draft. Inadequate draft may cause back puffing into the room and plugging of the chimney. Inadequate draft will cause the appliance to leak smoke into the room through appliance and chimney connector joints. Ensure the heater is installed in areas that are not too close to neighbors or in valleys that would cause unhealthy air quality or nuisance conditions.

SPECIAL NOTES:

- 1) **Negative Pressure In The House.** When there is no fire in your unit there still should be sufficient draft to draw smoke from a burning piece of paper held under the baffle. If your installation is correct, smoke will go up the flue. If however, there is a problem with your installation, cold air may be coming down the flue into the room.

This may be the case if your unit smokes on start-up with the door open, until the unit heats up. To overcome this problem, try closing an upstairs window and open a nearby window to pressurize the house.

Note: the door can be open briefly to start your fire but **must be closed** during regular operation because the unit uses outside air for combustion, not room air.

- 2) **Multiple Terminations.** When you install more than one chimney in the same chase or within the same general area, we suggest that their terminations be separated by at least 16" (410mm) horizontally and 18" (460mm) vertically. This separation is to prevent smoke migrating from one chimney to another.

- 3) **Chimney Maintenance.** It is important that you inspect your chimney regularly and keep it clean. If you note more than 1/8" (3mm) creosote build up in your chimney have it cleaned as per instructions of the chimney manufacturer.

- 4) **Chimney Fires.** If you do have a chimney fire, refer to the following:

- a. Close the fireplace doors and air damper.
- b. Clear family members out of the area.
- c. Call the fire department.
- d. Use a dry chemical fire extinguisher, baking soda or sand to control the fire. **Do not use water, it will create a steam explosion.**
- e. Check for hot embers around the unit and outside your home; extinguish.
- f. Do not use your fireplace again until it has been inspected by a qualified person.

Offset Chimney Installation

Chimney elbows may be used in the installation of the system. A maximum of four 30 degree elbows are allowed. Offset angles of 30 and 15 degrees are allowed with a maximum of 2 offsets.

- 1) Install the fireplace and chimney as described above. When you require an elbow, proceed as follows:
- 2) Install the elbow. Turn the elbow to the required direction and fasten it with screws or locking bands depending on flue design as specified by the manufacturer.
- 3) Turn the chimney lengths clockwise to lock them together, then secure them with screws at each joint or locking bands; see the manufacturers requirements.
- 4) Use another elbow to return the chimney to vertical.
- 5) Install an offset support in the joist at the ceiling. Re-support above each offset; elbows are not designed to carry the weight of the flue system.

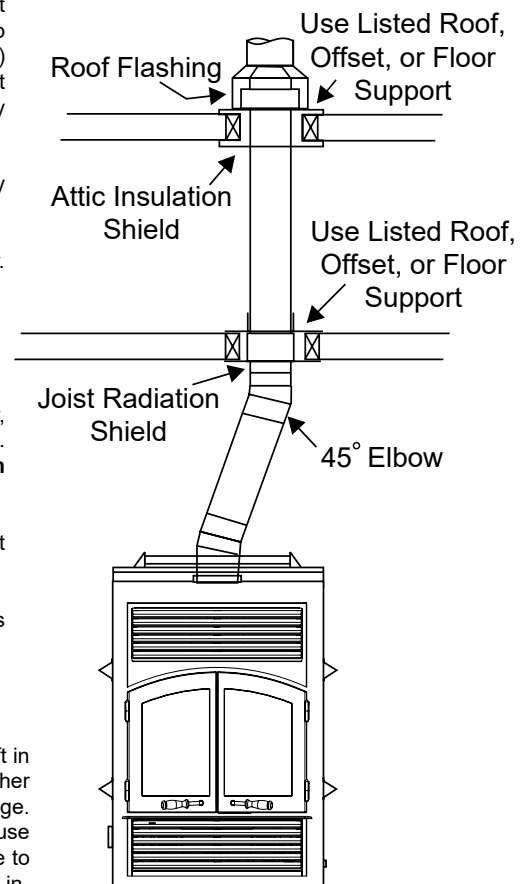


TABLE 1		
Required Firestop, Radiation Shield, Or Attic Insulation Shield		
Model	1st Floor	2nd Floor into Attic
CF Sentinel	Intermediate Joist Shield	Attic Insulation Shield
Super Pro 2100+	Attic Insulation Shield	Attic Insulation Shield
Super Vent 2100+	Attic Insulation Shield	Attic Insulation Shield
Security S2100+	Radiation Shield Fire Stop	Insulation Radiation Shield Attic Radiation Shield
Oliver Macleod Project HT6000+	Radiation Shield Fire Stop	Insulated Attic Radiation Shield
Simpson DuraPlus HTC	Fire Stop Radiation Shield	Attic Insulation Shield
ICC Excel 2100	Radiation Shield	Radiation Shield with Storm Collar

TABLE 2							
Minimum Recommended Flue Height In Feet (Measured from the top of the solid fuel appliance)							
ELEVATION (FT) ABOVE SEA LEVEL	# OF ELBOWS						
	0	2 x 15°	4 x 15°	2 x 30°	4 x 30°	2 x 45°	4 x 45°
0ft - 1000ft (0m - 305m)	12.00ft (3.66m)	13.00ft (3.96m)	14.00ft (4.27m)	15.0ft (4.57m)	18.00ft (5.49m)	16.00ft (4.88m)	20.0ft (6.10m)
1000ft - 2000ft (305m - 610m)	12.48ft (3.80m)	13.52ft (4.12m)	14.56ft (4.44m)	15.6ft (4.75m)	18.72ft (5.71m)	16.64ft (5.07m)	20.0ft (6.10m)
2000ft - 3000ft (610m - 914m)	12.96ft (3.95m)	14.04ft (4.28m)	15.12ft (4.61m)	16.2ft (4.94m)	19.44ft (5.93m)	17.28ft (5.27m)	21.6ft (6.58m)
3000ft - 4000ft (914m - 1219m)	13.44ft (4.10m)	14.56ft (4.44m)	15.68ft (4.78m)	16.8ft (5.12m)	20.16ft (6.14m)	17.92ft (5.46m)	22.4ft (6.83m)
4000ft - 5000ft (1219m - 1524m)	13.92ft (4.24m)	15.08ft (4.60m)	16.24ft (4.95m)	17.4ft (5.30m)	20.88ft (6.36m)	18.56ft (5.66m)	23.2ft (7.07m)
5000ft - 6000ft (1524m - 1829m)	14.40ft (4.39m)	15.60ft (4.75m)	16.80ft (5.12m)	18.0ft (5.49m)	21.60ft (6.58m)	19.20ft (5.85m)	24.0ft (7.32m)
6000ft - 7000ft (1829m - 2134m)	14.88ft (4.54m)	16.12ft (4.91m)	17.36ft (5.29m)	18.6ft (5.67m)	22.32ft (6.80m)	19.84ft (6.05m)	24.8ft (7.56m)
7000ft - 8000ft (2134m - 2438m)	15.36ft (4.68m)	16.64ft (5.07m)	17.92ft (5.46m)	19.2ft (5.85m)	23.04ft (7.02m)	20.48ft (6.24m)	25.6ft (7.80m)
8000ft - 9000ft (2438m - 2743m)	15.84ft (4.83m)	17.16ft (5.23m)	18.48ft (5.63m)	19.8ft (6.04m)	23.76ft (7.24m)	21.12ft (6.44m)	26.4ft (8.05m)
9000ft - 10000ft (2743m - 3048m)	16.32ft (4.97m)	17.68ft (5.39m)	19.04ft (5.80m)	20.4ft (6.22m)	24.48ft (7.46m)	21.76ft (6.63m)	27.2ft (8.29m)

INSTALLING THE OUTSIDE AIR KIT

Combustion air is fed to the firebox through a connection on the rear lower left side of the unit. A free flowing supply of air must be available to this opening at all times. It must go through the 6" (152mm) duct to the connection on the left hand side.

The source of combustion air is from outside the building. If possible, install the kit on the wind loading side of the building not the leeward or (negative pressure) side.

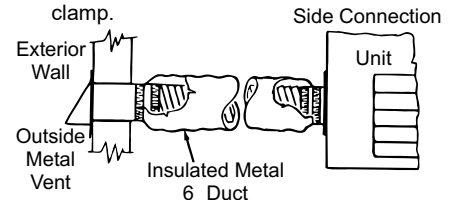
Note: Do not obtain combustion air from attic, garage or other enclosed space.

- Put the supplied insulated air duct to a nearby exterior wall. Maximum length of duct is 20ft (6.1m). Duct length should be kept to a minimum and as straight as possible. **Note:** 4 ft. only is supplied with unit. Termination should be in an area with good air flow.

- Ensure that your air source is not close to automobile exhaust, gas meters or other vents.

- Cut a 7" (178mm) hole through the wall and mount the outside air kit.

- Attach the two ends of the duct (making sure not to damage the insulating cover) after installing the flange on the fireplace side. Duct must be secured by screws or clamp.



Outside Air Inlet must be 6 ft. (152mm) below the chimney termination point

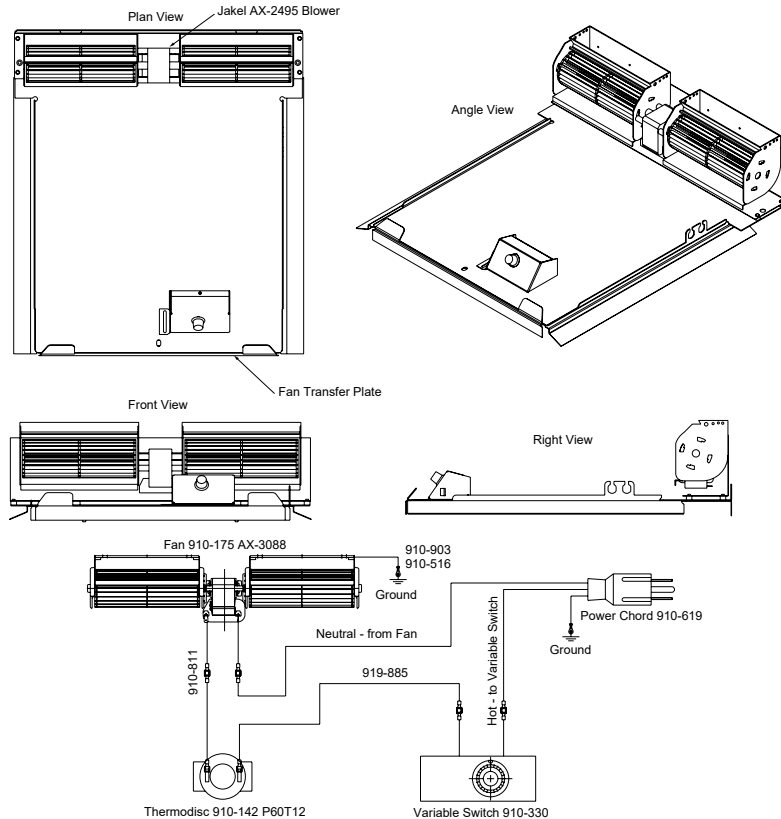
WIRING THE FP90

Field wire main power supply to fireplace blower system. (All electrical connections should only be performed by a licensed/certified electrician).

CAUTION: Label all wires prior to disconnection when servicing controls. Wiring errors can cause improper and dangerous operation.

INSTALLING THE BLOWER SYSTEMS

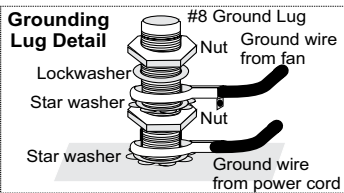
The FP90 Fireplace has been designed to meet a wide range of heating requirements. The radiant heat (through the large glass area) combined with the naturally convected heat, allows the FP90 Fireplace to adequately heat an average sized room. A blower is recommended to assist in heating a larger area or one with wall separations. Through the use of two separate blower systems, Regency has developed the basic blower wiring options listed in the diagrams shown.



Internal Blower with Thermo-Disc

The thermo-disc provides the user with more convenient control. The fan operates automatically - turn the knob to adjust to desired speed. The fan will turn on as the stove comes up to operating temperature. After the fire cools to below a useful heat output range the fan will shut off automatically.

Place sticker on outside of bottom louver.

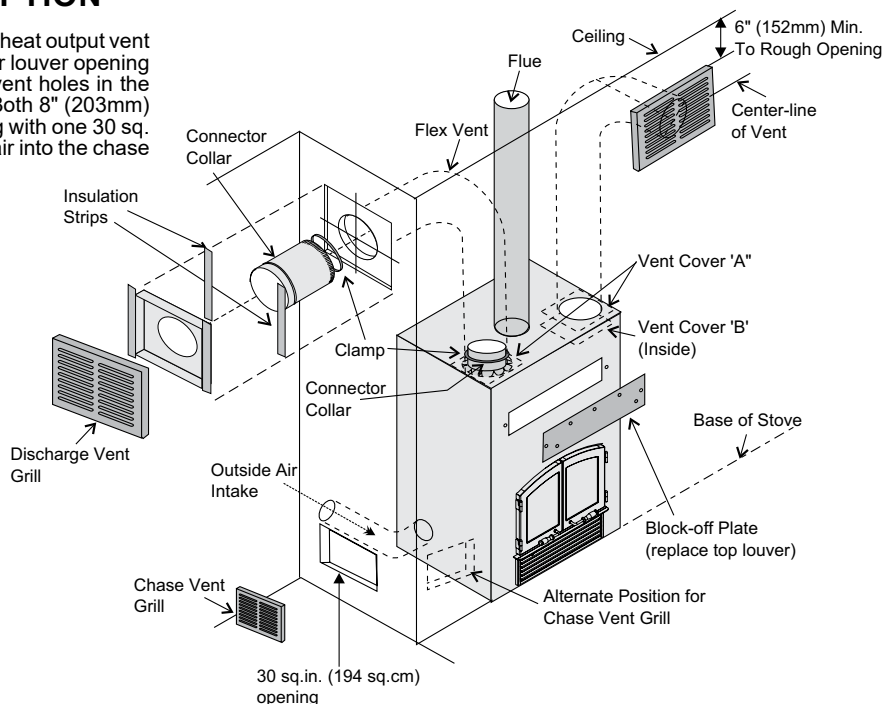


Wire98gr.eps

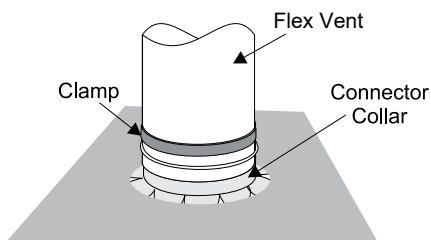
GRAVITY AIR FEED KIT OPTION

The Gravity Air Feed Kit is designed to extend the heat output vent above the FP90 to the front or the side. The upper louver opening is blocked off and flex vent is connected to the vent holes in the top of the unit and run to discharge vent grilles. Both 8" (203mm) diameter insulated Flex vents must be used along with one 30 sq. inch (194cm²) chase vent grille to bring additional air into the chase (for U.S. installations only).

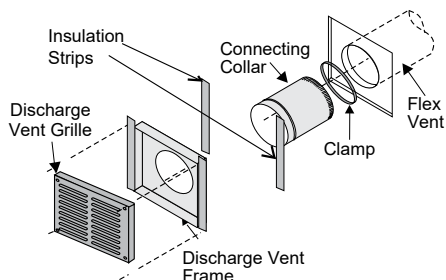
Qty	Description
4	Connector Collars
4	Adjustable Clamps
2	5' lengths of flexible vent pipe (8" dia.)
2	Insulated Sleeves
1	Block Off Plate
2	Discharge Vent Mounting Frames
7	1/4-20 x 1/2" Truss Head Screws (used for EX90/R90 only)
2	16 x 8 Discharge Vent Grilles
4	#8 Drywall Anchors
4	Insulation Strips
1	Chase Vent Frame (not required for FP90)
1	8 x 8 Chase Vent Grille (not required for FP90)



- 1) Remove the screw from the vent hole cover (vent cover 'A') on top of the unit.
- 2) Take the connector collar and press and rotate it into the hole to cut through the insulation layer. Remove the collar and remove insulation from the collar. The screws for the inner cover should be exposed.
- 3) Remove the screws from the inner cover (vent cover 'B') and slide it back under the insulation.
- 4) Extend flex vent and pull the insulation sleeves over the 8" (203mm) diameter flex vents. Leave a short section of flex vent exposed at each end. On one end insert the collar into the flex vent and use a clamp to hold the flex vent in place.
- 5) Use tin snips to cut slits into the rim of the connector collar. A minimum of four tabs will be required so cut the slits 1" (25mm) (i.e. 1" (25mm) wide tabs) apart around the perimeter of the collar.
- 6) Install the connecting collar into the top of the unit until the bead of the collar rests against the top of the inner top of the unit. Reach inside the upper louver opening and use pliers to bend the tabs (minimum 4) out on the connector collar. A hammer may be required to lightly tap the tabs and bend them so that they fit tightly against the bottom of the inner top. Pull the insulation sleeve down to the top of the unit. Repeat steps 1-6 for the second flex vent and collar assembly.



- 7) Position the vent frames for the Discharge Grilles into the rough opening of the stud wall framing. Make sure to add two insulation strips behind the flanges of the frame prior to securing to wall. The frames will fit between studs framed at 16" (406mm) on center. Use 4 nails or screws to mount the frame to the stud framing.



- 8) Insert the connecting collar into the other end of the 5 ft. (1.5m) flex vent and use an adjustable clamp to hold the vent in place. Cut tabs into the rim of the connector collar (a minimum of 4 tabs will be required). Push the collar through the 8" (203mm) hole in the mounting frame. Use pliers to bend out tabs (minimum 4) to secure the collar to the mounting frame.
- 9) Pull the insulation sleeve up the flex vent to the back of the mounting frame. The flex vent should now be connected to both the unit and the mounting frames securely. Repeat steps 1-8 for the second flex vent assembly.
- 10) Install the block-off plate to the unit. The block-off plate will cover the upper louver opening of the unit and force the heated air into the two 8" (203mm) diameter flex vents. Put high temperature sealant onto the block-off plate. Mount the block-off plate onto the front of the unit and cover the upper louver opening. Make sure that all exposed holes in the block-off plate are sealed with high temperature sealant.

NOTE:

Make sure the block-off plate is flush and fastened tightly to the Regency FP90 Fireplace.

- 11) The rough opening size for the Chase Vent Grille is 3" H x 10"W (76mm H x 254mm W).

WARNING:

A chase vent of 30 sq. inches (194 cm²) MUST be installed in all applications, otherwise serious overheating of the chase may result. Use the chase vent supplied with the FP90 unit only or any equivalent one with the same or less restriction of air flow (for U.S. installations only).

- 12) Recheck all flex vent-work connections to make sure that they are secure. Install wall sheathing and cut-out openings for the chase ventilation, and hot air discharge outlets.
- 13) Install the Chase Vent Grille and install the Discharge Vent Grilles for the hot air outlets.

NOTE:

There must be a minimum of 5" (127mm) between the gravity air vents.

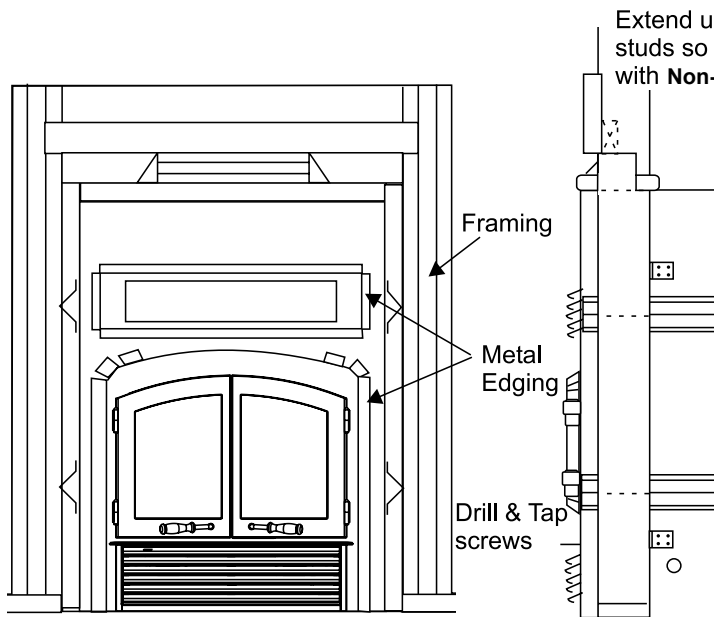
FINISHING THE REGENCY FP90

Completing The Facing

Facing materials must be thin veneer (non-self supporting facades) or self supporting facades. If you are installing a thin veneer facade the Regency Masonry Retainer Kit is recommended. All facades must be **Non-Combustible** such as brick, rock or ceramic tile. See Clearance to Combustible diagram at the beginning of this manual to determine the extent to which you must use non-combustible materials. Gypsum wallboard is not non-combustible.

Non-self Supporting, Thin Veneer Facades Installation

- 1) Install heavy expanded metal only on the top half of the fireplace using a drill to pre-drill holes and install using tap screws at locations as indicated on kit.
 - 2) Install metal edging of kit on each side of the doors making sure the edges fit nicely with the arch edge above.
 - 3) Cover the rest of the area with wire mesh or metal lath, overlapping around the heavy expanded metal. Make sure nails or staples used for fastening mesh penetrate studs at least 1" (25mm).
 - 4) Mortar must be "thin set" or "thin bed" type inherently polymer modified. If not modified, you should add a synthetic latex additive. Mix to a firm, moist consistency. Using a plasterer's or mason's trowel apply mortar 1/2" (13mm) to 3/4" (19mm) thick to prepared surface area. Do not spread more than a workable area so that the mortar will not set up before stone or brick is applied.
- Note: Remove the fireplace doors and louvers and store them in a safe place until all the masonry work is finished. Acid from the cleaning operation will permanently damage gold plating.**
- 5) If additional mortar is required, use a grout bag to fill in joints. Care must be taken to avoid smearing on the surface of stone or brick. Accidental smears should be removed only after mortar has become crumbly, using a whisk broom or dry bristle brush. Do not use a wet brush or a wire brush.
 - 6) When mortar joints have become firm (thumb-print dry) they should be pointed up with a wood stick or metal jointing tool.



Do not restrict air flow through the top and bottom louvers of the fireplace. This will cause overheating and possible ignition of surrounding materials. Top louver may be closed only if gravity feed kit option is used.

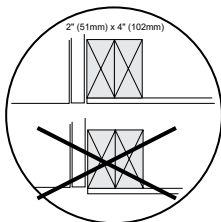
Diagram 1

Masonry Retainer Kit Option

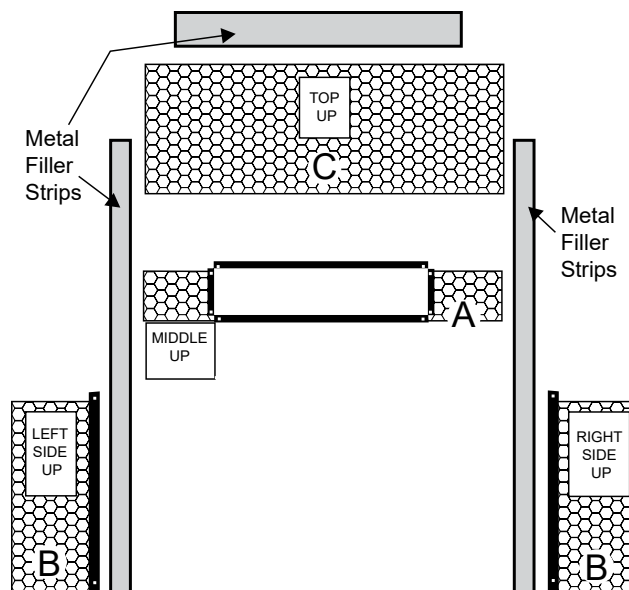
For a non-selfsupporting veneer finish only.

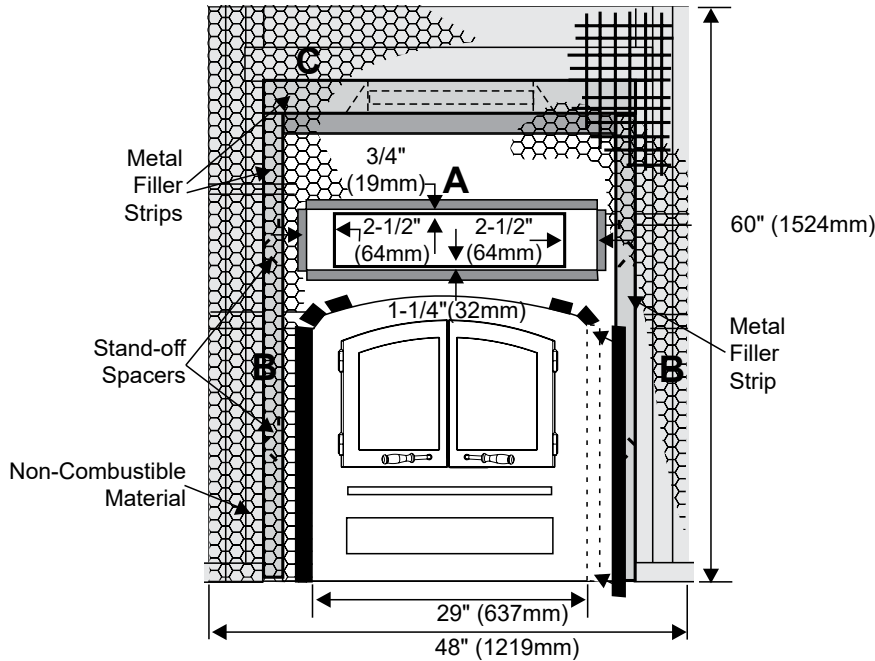
- 1) Framing and plywood cannot extend past the side and top stand-off spacers. Allow for the thickness of the Non-Combustible Material when framing so that the front of the Fireplace and the Non-Combustible Material are flush.
- 2) Unscrew the top stand-off and move the ceramic blanket forward so it will be tight against the mesh to make a seal.

- 4) Place side metal filler strips in between stove and framing to cover the stand-off space. Fit the strips behind "A" so that they cover the stand-offs, and will prevent mortar from falling through the mesh.
- 5) Center door arch edge, mark and drill holes. Note the top of the side pieces meet up with the edges of the center arch. Attach arch edge and bottom of grill edge to unit. The door arch floats at each end so that it can be adjusted to match the curve of the door.



- 3) Mesh must be positioned one way only to allow the mortar to hold and not slide off. Place "Middle" mesh (A) on the front and position top grill edge frame. Check dimensions from opening and mark and drill screw holes. Depending on the installation, heavier reinforcing wire screen may be required to bridge the stand-off spacer area around the perimeter of the unit. Hold in position with 2 screws while the door arch is centered.





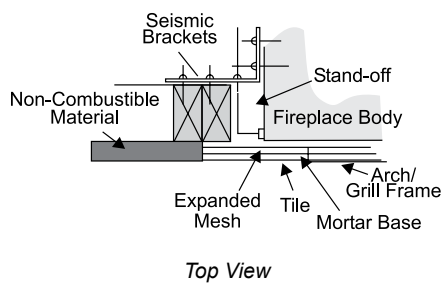
- 6) Depending on the height of the hearth in front of the unit, it may be necessary to trim the bottom of the mesh sides (B) to fit. Mark and drill holes for side pieces. Attach with washers and screws.
- 7) Place the top metal filler strip in between stove and framing to cover the stand-off space. Fit the strips behind Top mesh "C" so that it covers the stand-off, and will prevent mortar from falling through the mesh.
- 8) Put the doors on the unit and check that the veneer on both sides do not interfere with the door swing.
- 9) Use washers and screw top mesh (C) to top of grill frame. This is attached with the top edge of the grill frame on piece (B).
- 10) Now fasten mesh to wall sheathing and blend in.
- 11) Use only **non-combustible** masonry products to finish fireplace front.

Finishing Details

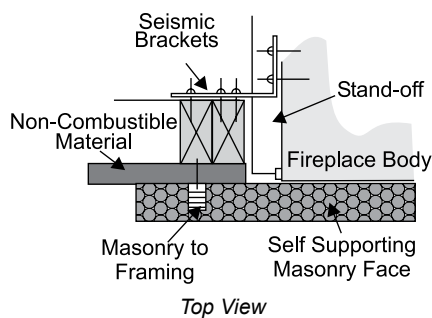
Consideration must be given to fireplace placement when deciding on how to complete the facing.

IMPORTANT: A tight joint between masonry and fireplace is necessary to prevent heat from rolling up the front to the Face Header.

Example 1: Face of Fireplace Flush with Wall Framing.

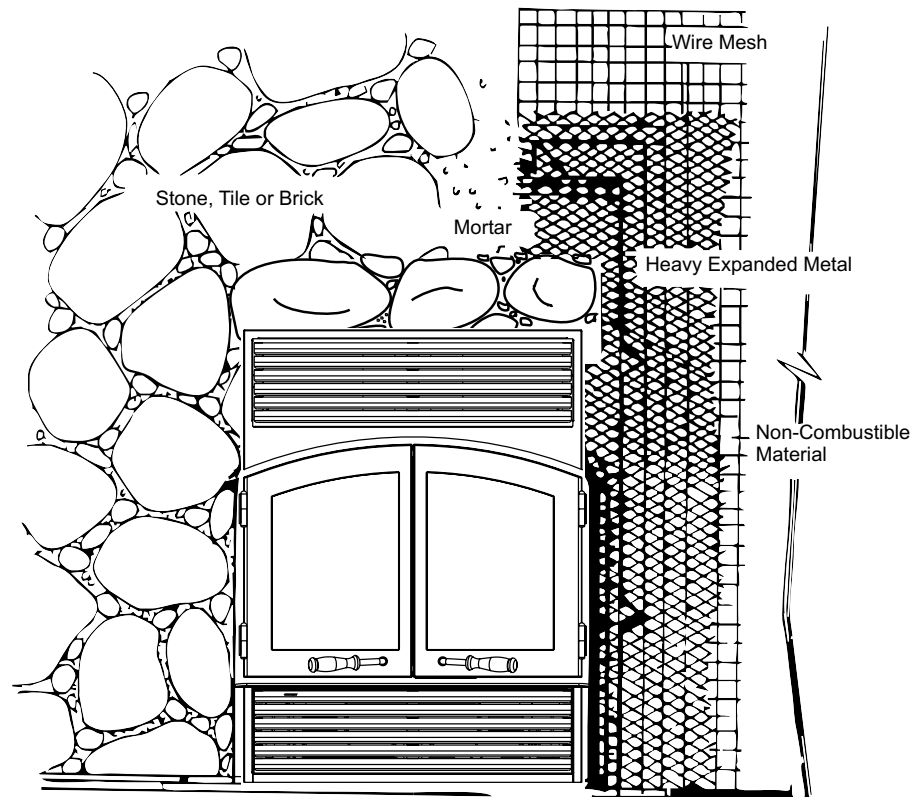


Example 2: Face of Fireplace Flush with Non-Combustible.



Completing The Mantle

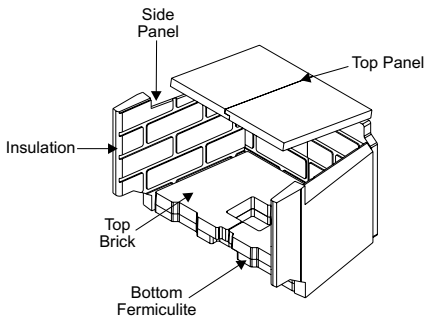
A stone mantle may be placed directly above the warm air outlet. If a wood or other combustible mantle is desired, it must be at least 18 inches above the grill opening and may project up to 10" (254mm) in front.



MASONRY LINER / BRICKS

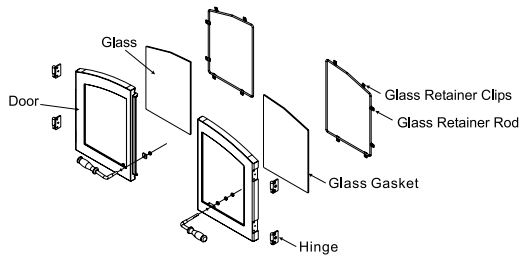
Insulated refractory panels are included to extend the life of the fireplace and help radiate heat more evenly. Make sure Insulating Paper is in place along the bottom, side and rear before bricks are put into place.

Using the diagram to find the correct location of the panels install in the following sequence: rear, sides, bottom, top. Care should be taken not to damage the panels during installation. **THE ANDIRONS SHOULD NOT BE REMOVED.**



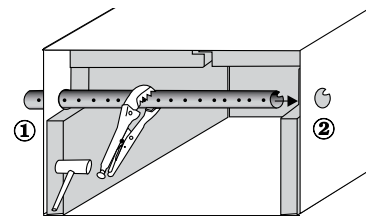
GLASS INSTALLATION

Remove the wire retainer from the doors, and place the glass in the doors, making sure that the glass gasketing will properly seal your unit. The retainer should be resting on the gasketing not on the glass. Tighten securely, but do not wrench down on the glass as this may cause breakage. Do not substitute materials. If your glass door breaks, do not use your unit until it has been replaced.



SECONDARY AIR TUBE INSTALLATION

- 1) Slide air tube into the hole on the left hand side of the firebox as far as it will go. The notch in the air tube should be facing the right hand side of the firebox.
- 2) Slide the air tube back towards the right side until it locks into place. To lock into position, use a pair of vise grips and tap them with a mallet until the tube locks into place. The air holes should be pointing down toward the primary air opening just inside the bottom of the door opening. The air tube will be difficult to snap into place because it has to be a snug fit in order to prevent it from falling out when a fire is burning.



ASH DRAWER KIT OPTION

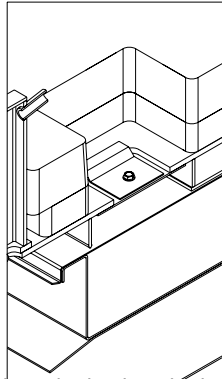
During constant use, ashes should be removed every few days. The Ash Drawer Kit option provides a convenient and easy way to keep your wood stove clean. This ash drawer kit can only be used with the fireplace unit.

Safety Precautions

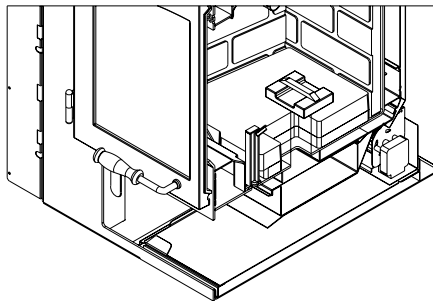
- 1) Do not allow ashes to build up to the loading doors! Only remove ashes when the fire has died down. Even then, expect to find a few hot embers.
- 2) Please take care to prevent the build-up of ash around the start-up air housing located inside the stove box, under the loading door lip.
- 3) If the ashes are disposed of by burial in soil or otherwise locally dispersed, they should be retained in the closed container until all cinders have thoroughly cooled. Other waste should not be placed in the ash container.
- 4) Never start a fire if the ash plug and ash drawer are not in place. This will cause over firing which can cause excessive warping of the stove. Over firing will void the warranty on your stove, and damage your fireplace.
- 5) The firebricks are brittle and can be damaged if the plug is replaced carelessly or pieces that are too large are forced through the hole.

Ash Drawer Kit Installation

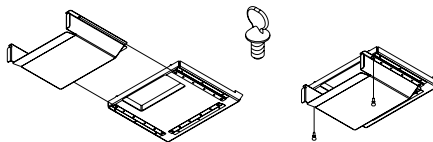
- 1) Remove the bricks from the floor of the firebox.
- 2) Open the louver in front of the fireplace.
- 3) Remove the ash dump cover plates (one inside the firebox and one on the underside of the firebox) by removing the two nuts and bolts holding the 2 plates together from underneath the stove.



- 4) Push the ash plug into the hole inside the firebox and replace all the bricks.
- 5) Slide the ash drawer shelf into clips on the



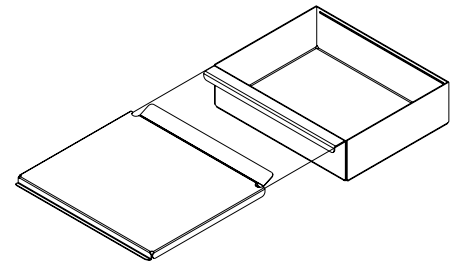
bottom of the firebox and add thumbscrews to secure in place.



- 6) Slide the ash drawer into the ash drawer shelf.
- 7) Place the lid and the ash plug tool on the fan transfer plate for storage.

Ash Drawer Operating Guideline


- 1) Only clean ashes out of the fireplace when the unit has cooled down. Remove the plug by lifting on the handle using the tool provided. The plug may still be warm, use caution. Push the ashes down the hole into the ash drawer, the large pieces can be left in the firebox and burned during the next fire or removed through the door opening.
- 2) Always leave 1/2 to 1 inch of ash in the bottom of the firebox. This helps in easier starting and a more uniform burn of your fire.
- 3) To remove the drawer, lift slightly and slide it out. When the drawer is completely out, slide the cover plate over the ash drawer and carry away.

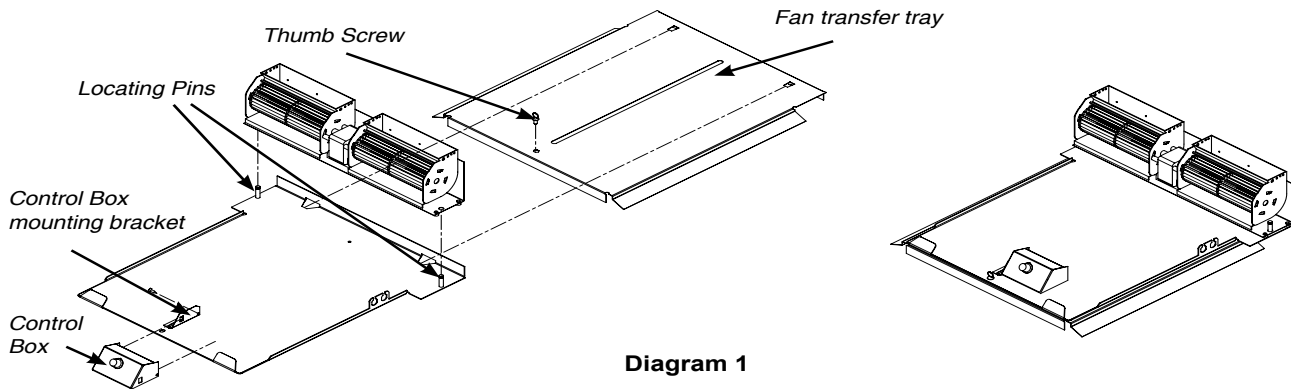


- 4) When emptying the ash drawer, make sure the ashes are cold. Ashes should be placed in a metal container with a tight fitting lid. The closed container of ashes should be placed on a non-combustible floor or on the ground, well away from all combustible materials, pending final disposal.
- 5) Before putting the ash drawer back into place, make sure the cover lid is off and the ash plug is back in place.

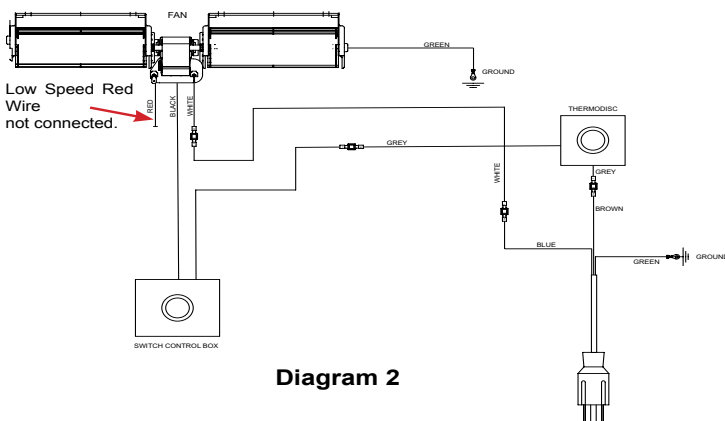
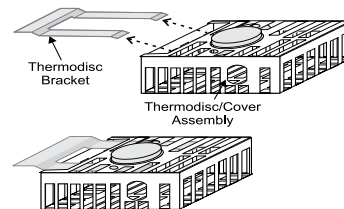
FAN INSTALLATION

NOTE: If optional Ashtray is installed, it must be removed before installing the fan. The receptacle Box must be replaced with one that will accept the fan cable.

- 1) Remove the thumb screw from the fan transfer tray.
- 2) Slide fan transfer tray fully out through the bottom louver opening.
- 3) Mount the fan bracket onto the fan transfer tray using the two locating pins (see Diagram 1).
- 4) Slide the Control Switch Box onto the Control Switch Box Mounting Bracket located on the front of the fan transfer tray and secure with the #8 x 3/8" screw  provided (see Diagram 1).

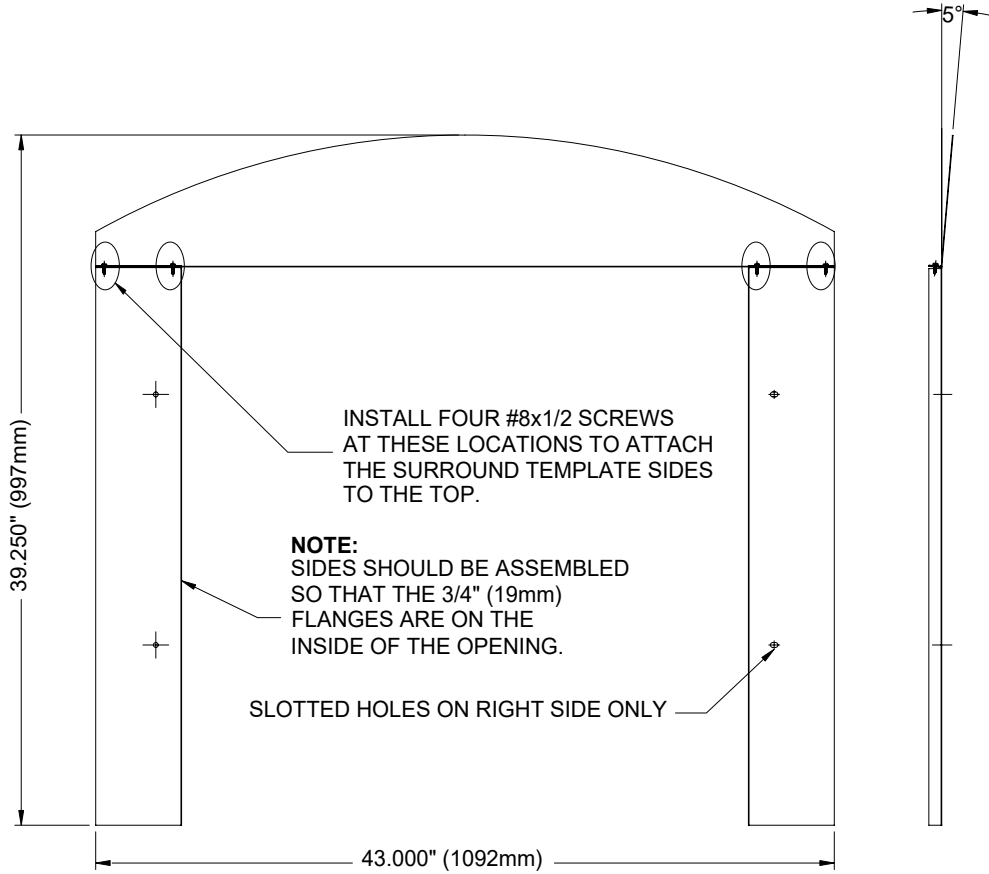


- 5) Secure wiring to fan tray with supplied strain reliefs.
- 6) Secure both ground wires to ground lug. Bolt onto unit.
- 7) Plug fan into receptacle box (see note at top of page).
- 8) Slide thermodisc/cover assembly into the bracket clip on the underside of the firebox. Ensure that no wires will come in contact with any hot surfaces. See Diagram 3.
- 9) Reinstall the thumb screw.



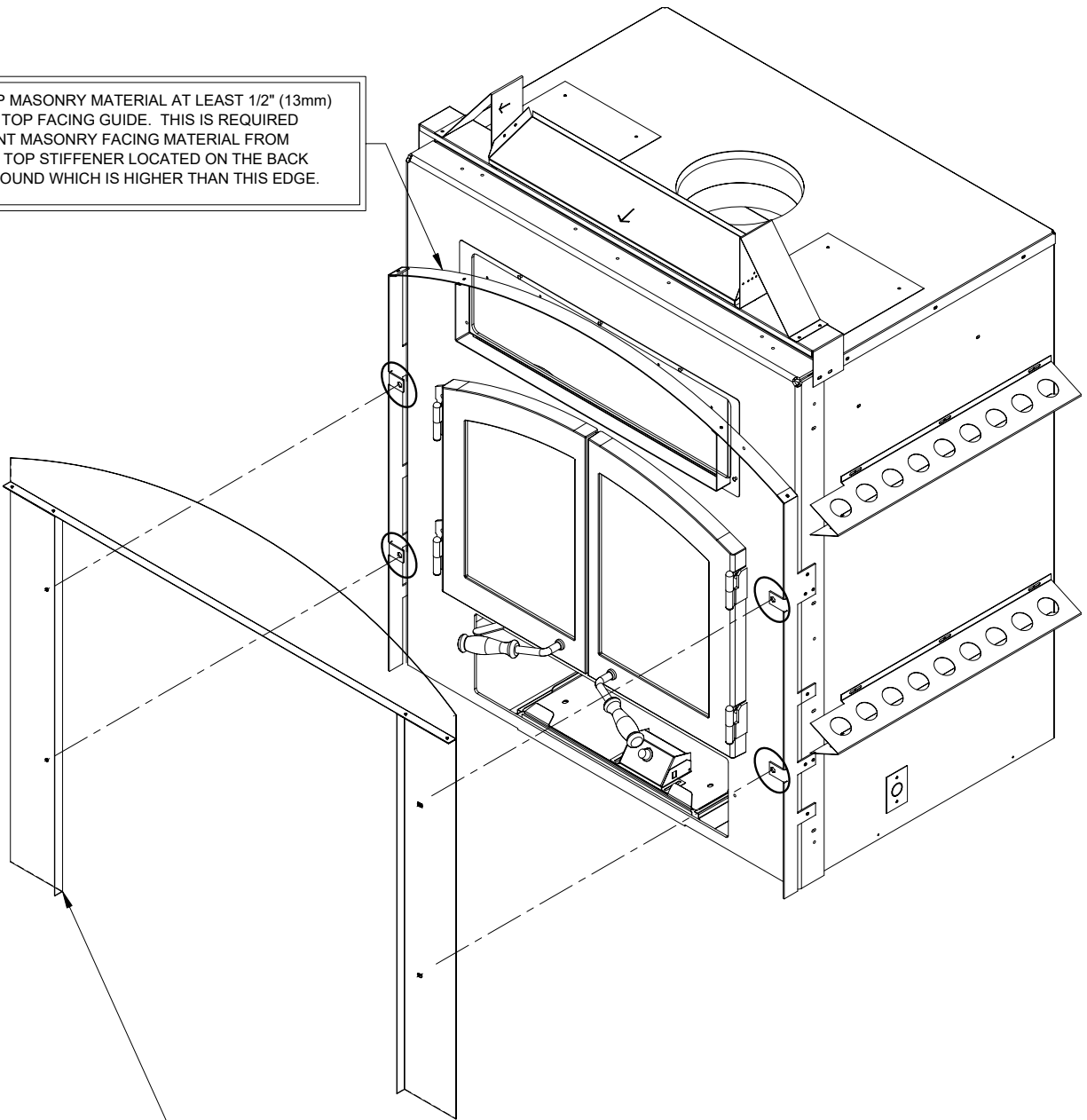
MASONRY COVER PLATE INSTALLATION

THE TOP IS ANGLED BACK AT 5 DEGREES TO ENSURE THAT THE TEMPLATE FITS TIGHT TO THE UNIT. THE TOP WILL BECOME MORE UPRIGHT AS THE TEMPLATE IS TIGHTENED TO THE SURROUND MOUNTING BRACKETS



NOTE: ONCE THE TEMPLATE IS MOUNTED CHECK TO MAKE SURE THE SIDES ARE PLUMB AND 43" (1092mm) IN WIDTH

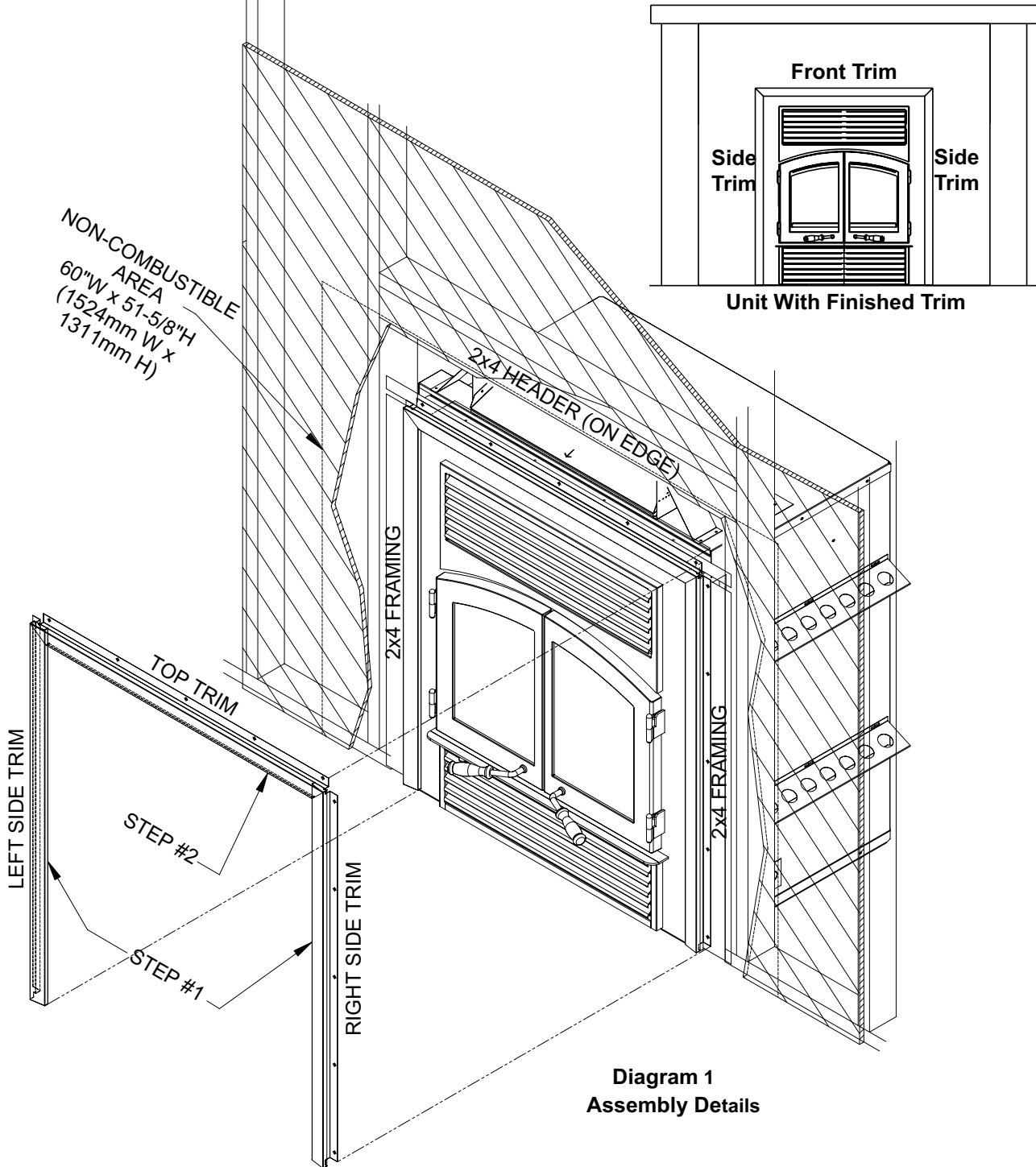
WARNING: KEEP MASONRY MATERIAL AT LEAST 1/2" (13mm) FROM THIS TOP FACING GUIDE. THIS IS REQUIRED TO PREVENT MASONRY FACING MATERIAL FROM HITTING THE TOP STIFFENER LOCATED ON THE BACK OF THE SURROUND WHICH IS HIGHER THAN THIS EDGE.



INSTALL THE SURROUND TEMPLATE ONTO THE UNIT WITH THE SAME MOUNTING SCREWS AS THE SURROUND.

FINISHING TRIM KIT INSTALLATION

- 1) Unit must be installed correctly according to the specification in the manual. The nailing strips must be attached to the top and sides of the unit. They must be positioned so that they are set-back $\frac{1}{2}$ " (13 mm) from the face of the unit. This will allow for the wall sheathing to be flush with the face of the unit and allow the trim to be installed correctly (refer to Diagram 1).



- 2) Make sure the insulation under the top stand-off is up against the back of the top nailing strip.
- 3) Fasten the nailing strips to the framing.
- 4) Install both the left and right side trim (see labels for orientation). The side trims have slotted holes to allow the sides to be adjusted once installed to ensure the top corners will fit tight. Fasten the trim to the nailing strips with the screws provided, (#8 x 9/16") in the center of each slot.
- 5) Attach the top trim. Center it and attach it to the top nailing strip with self drilling screws.
- 6) Adjust the sides to minimize the overlap at the top corners.
- 7) The sheathing (up to 1/2" [13 mm] thick) can then be tucked into the channel of the trim to hide the cut edge (refer to Diagram 2).

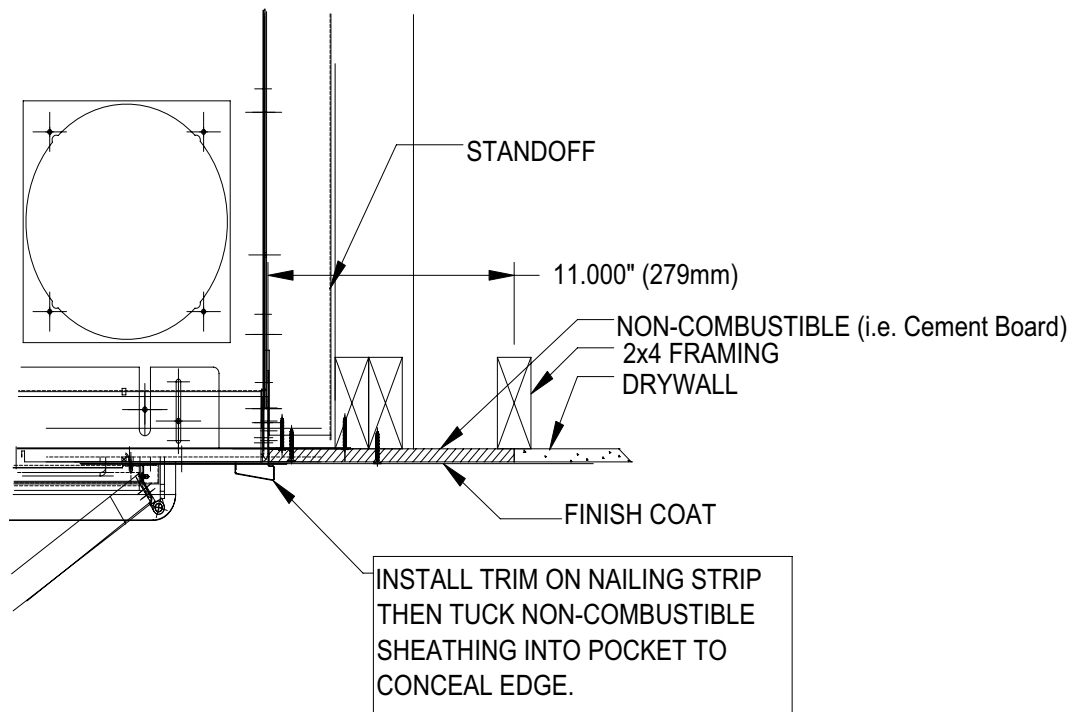


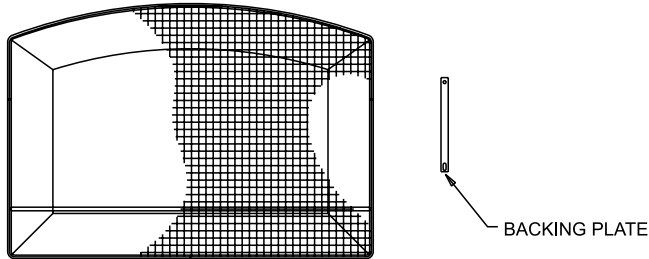
Diagram 2

- 8) It is recommended that the joints of the sheathing run horizontal from the top corners of the unit rather than vertical. This will reduce the heat exposure to the joints and reduce the chance of the finish from cracking.

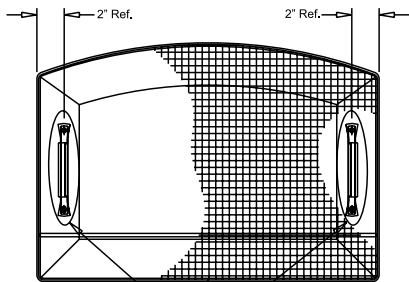
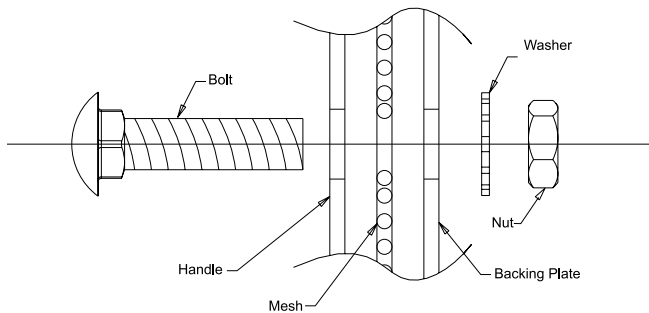
FIREPLACE SCREEN INSTALLATION

INSTALLING THE HANDLES ON THE SCREEN

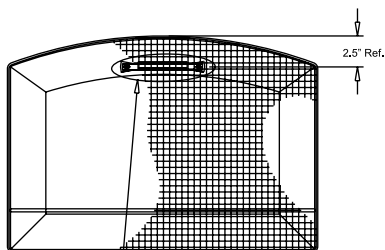
- 1) 1 or 2 handles can be installed on the screen. Layout location of the handle using the backing plate as a guide and widen two holes in the screen with a screw driver to let the screws for the handle through.



- 2) Fasten the handles to the screen using the fasteners provided.



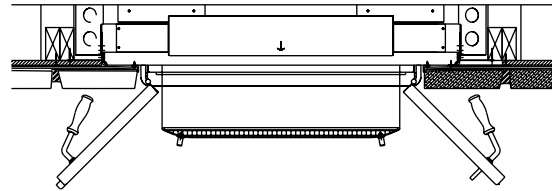
Sample Double Handle Layout



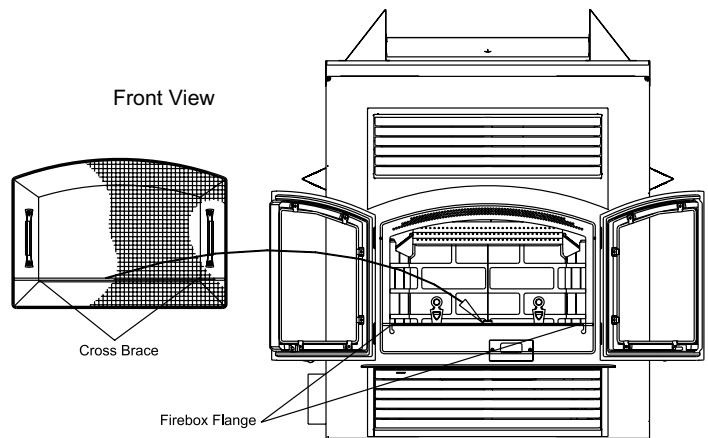
Sample Single Handle Layout

INSTALLING THE SCREEN ON THE FIREPLACE

- 1) Ensure doors are opened enough to allow fire screen to be installed.

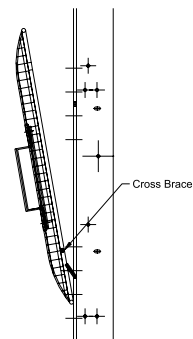


- 2) Tilt firescreen back only slightly and hang the left and right cross-brace just above firebox flange. Slide downwards until the cross braces are resting on the firebox flanges.

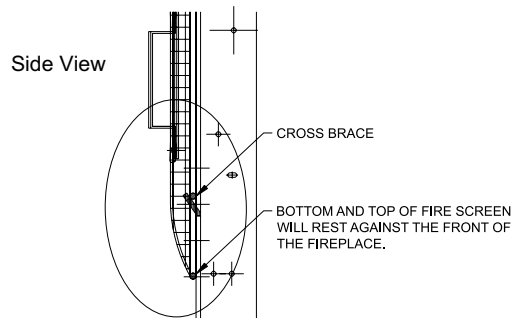


Front View

Side View



- 3) Install firescreen.



Side View

REGENCY LOUVER INSTALLATION

Installing the Top Louver

- 1) Add two (2) screws (1/4-20 X 1/2") to the front of the fireplace for mounting the top louver. The screws must be left loose to allow the top louver to slide onto them. Adjustment of these screws will be needed to get the louver to sit flush with the front of the fireplace.
- 2) Place the top louver above the mounting screws located on the front of the fireplace and slide the louver down onto the screws.

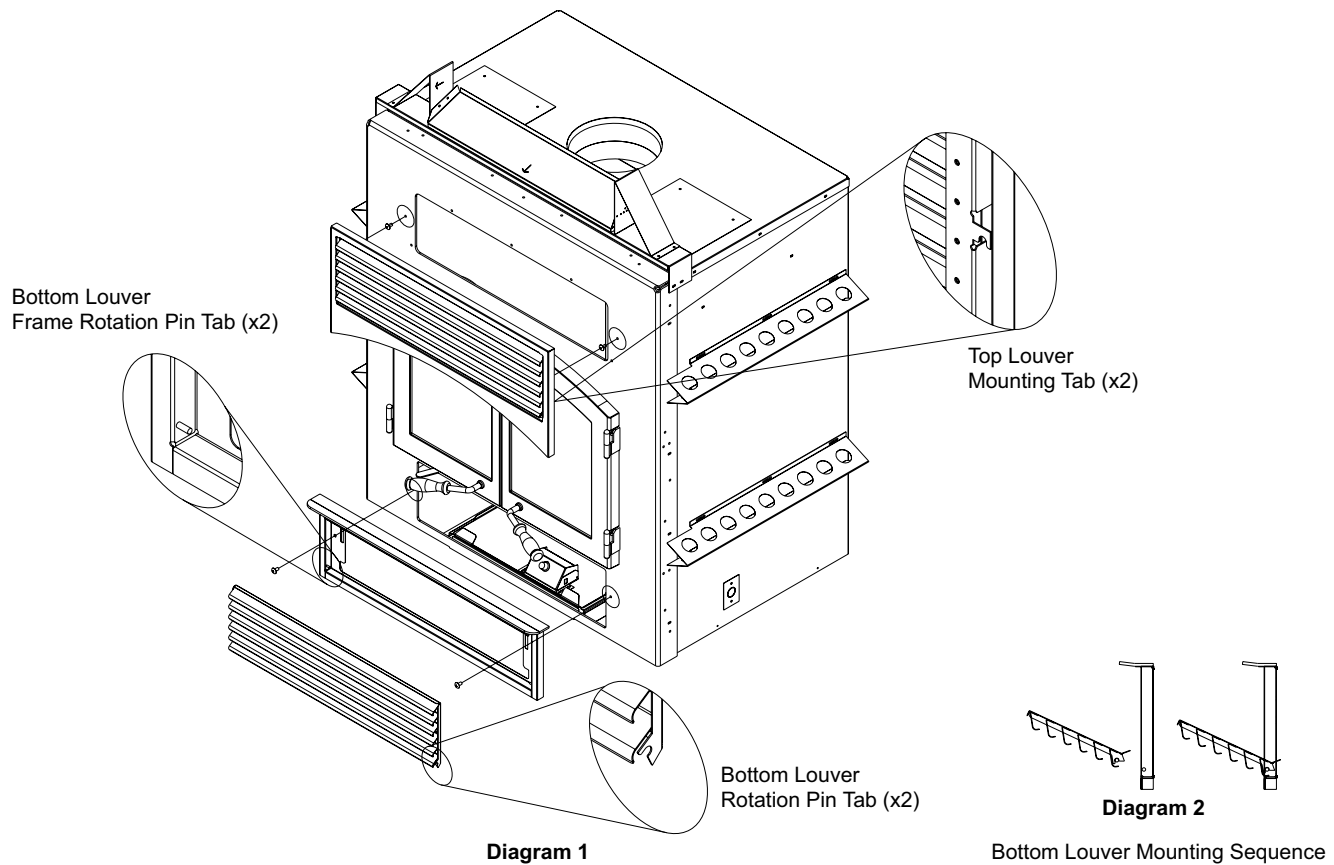


Installing the Bottom Louver

- 1) Fasten the bottom louver frame onto the front of the fireplace using two (2) screws (1/4-20 X 1/2").
- 2) Take the bottom louver and slide it onto the rotation pins located on the bottom louver frame.
- 3) Close the bottom louver and secure on the magnets provided (refer to Diagrams 1 and 2).



NOTE: Take care not to scratch the paint on the front of the fireplace when installing the top louver.

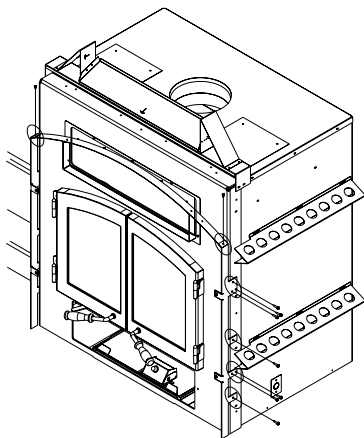
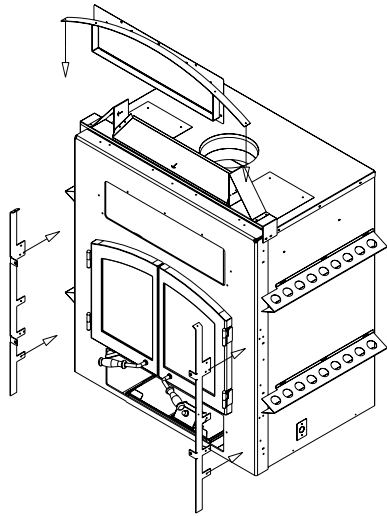
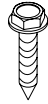


EXCALIBUR FACEPLATE INSTALLATION

NOTE: Before installing the fireplace the facing guide must be installed.

Installing the Facing Guide

- 1) Secure the left and right facing guides to the fireplace with seven (7) screws (#10 x 1") on each side. Holes must be pre-drilled.
- 2) Install the top louver opening adapter to the face of the unit with five (5) screws (1/4-20 x 1/2").
- 3) Attach the sides of the top louver opening adapter to the left and right facing guides with two (2) screws (#8 x 1/2").



Optional:

- 4) Install the optional masonry cover plate to the facing guides with four (4) screws (1/4-20 x 1/2").

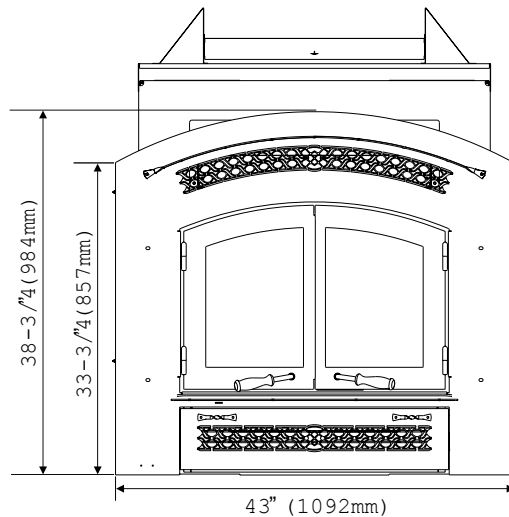
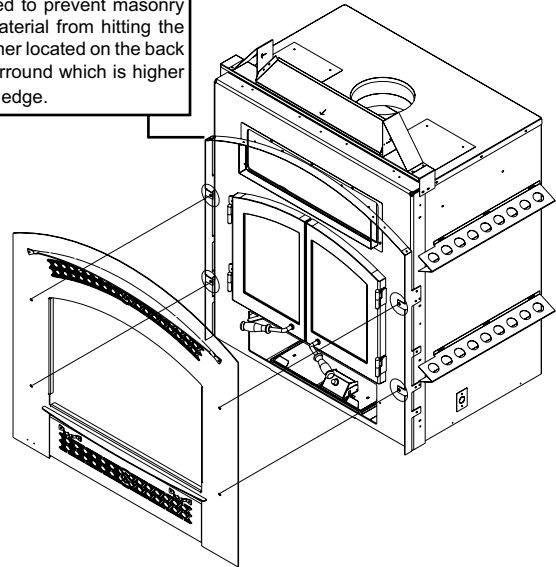


Installing the Excalibur Faceplate

- 1) Remove the left and right door from the fireplace.
- 2) Put the Excalibur faceplate in place and secure with four (4) screws (1/4-20 x 1/2") making sure that the faceplate is centered.
- 3) Replace the left and right doors on the hinges.

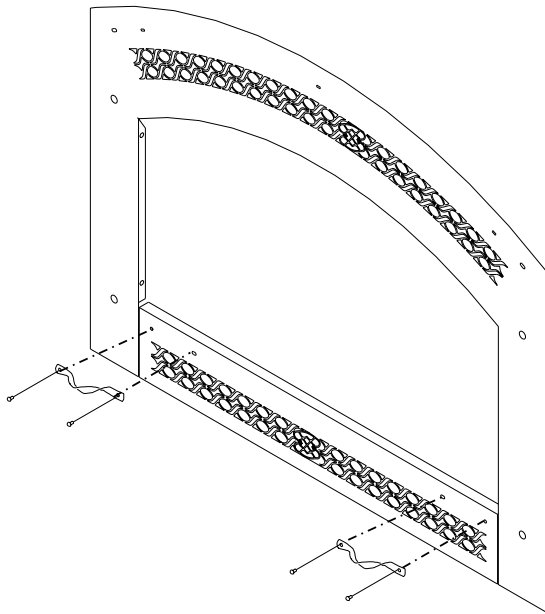


WARNING: Keep masonry material at least 1/2" (13mm) from this top facing guide. This is required to prevent masonry facing material from hitting the top stiffener located on the back of the surround which is higher than this edge.

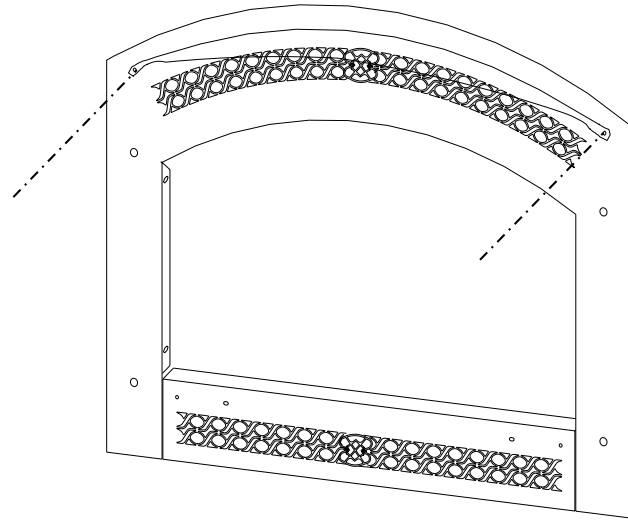


EXCALIBUR ACCENT KIT INSTALLATION

- 1) Remove the handles by removing the nut and screw. Install the new handles by placing them in position over the holes on the surround louver. Put the screws through the holes and secure them by tightening the nut.

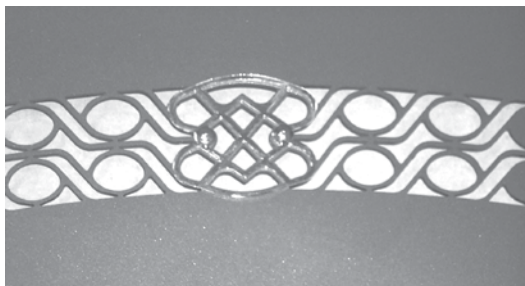


- 3) Remove the 2 studs on the sides of the Hood. Insert the new studs through the holes and secure them by first putting on the washer and then tighten the nut.



- 4) Re-install faceplate with plated screws.

- 2) Place the emblem over the emblem design on the surround. Insert the studs through the holes. To secure them first put on the split lock washer and then the nut and tighten.



HEATWAVE KIT (NOT EPA APPROVED)

LISTINGS AND CODE APPROVALS

This Kit has been approved for use with Models EX90 / R90. This kit has been tested in accordance with National Safety Standards, and has been certified by OMNI Test Laboratories for installation and operation in Canada as described in these Installation and Operating Instructions.

Check with your local building code agency before you begin your installation to ensure compliance with local codes, including the need for "permits" and follow-up inspections. If any problems are encountered regarding code approvals, or if you wish clarification on any of the instructions contained here, contact your local dealer.

GENERAL INFORMATION

The Heat Wave Air Duct Kit increases the effectiveness of your fireplace by dispersing warm air from the fireplace to remote locations in the same room or other rooms in your home.

Up to two kits may be installed on the fireplace. **Please Note:** Only 1 HeatWave kit may be operated at one time. This includes the internal blower option as well.

Important Installation Notes

- 1) The appliance installation must conform with local codes or, in the absence of local codes, with the current Canadian or National Gas Codes, CAN1-B149 or ANSI Z223.1 Installation Codes.
- 2) The appliance when installed, must be electrically grounded in accordance with local codes, or in the absence of local codes with the current National Electrical Code, ANSI/NFPA 70 or CSA C22.1 Canadian Electrical Code.
- 3) This kit is tested and safe when installed in accordance with this installation manual.

Please read all instructions before starting installation and follow all instructions carefully during installation.

- 4) Installation of this kit must be performed by a qualified service technician.
- 5) The Heat Wave Kit must be installed only as specified. Any modifications of the kit or components will void the warranty and may cause a fire hazard.
- 6) Plan the location of the fireplace and the warm air duct runs, see diagram 1 as a guide for possible duct runs and locations.

Maximum Duct Run: 20 ft. (6.1m) per kit.

NOTE: Airflow through the duct system is affected by the duct length and number of bends. Keep the length and bends to a minimum to maximize performance.

PARTS

Included with Kit:

- 1 946-010 20 ft. (6.1 m) of 6" dia. flex pipe
 - 1 946-517 Fan housing assembly
 - 1 910-412 Variable wall rheostat
 - 1 946-006 Air register
 - 1 946-005 Register adaptor frame (thick)
 - 1 946-000 Round Duct collar
 - 1 946-001 Oval Duct collar
 - 1 946-002 Duct adaptor (round to oval)
 - 1 946-045 Insulation (60")
- Hardware package

If any parts are missing or damaged, contact your dealer before starting installation. DO NOT install a damaged kit.

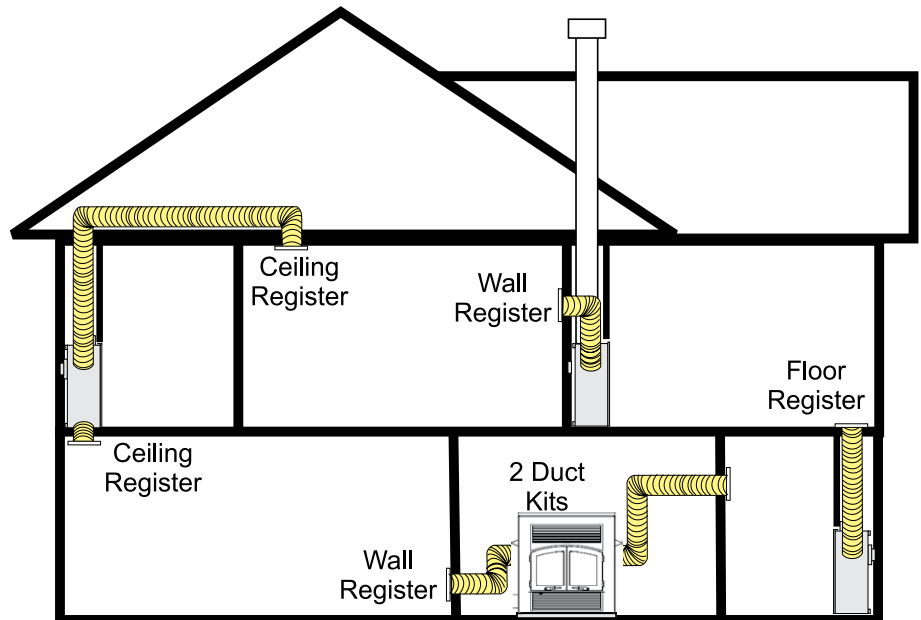


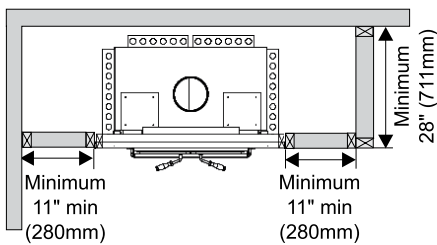
Diagram 1: Guide for possible air duct runs and locations. Keep duct length and number of bends to a minimum. Maximum duct length is 20 ft. (6.1m) per kit.

HEATWAVE KIT (NOT EPA APPROVED)

MINIMUM FRAMING CLEARANCES

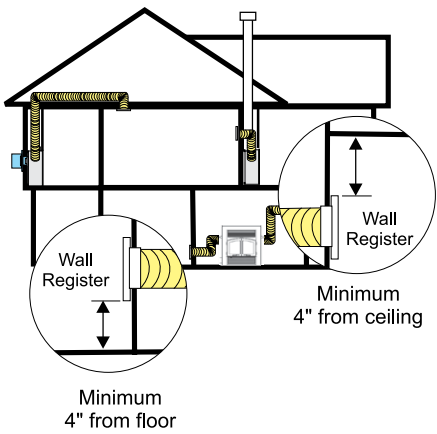
- * Wall studs must be 16" on center for mounting fan housing.
- * Fan Housing: Maintain a 1/4" (6mm) clearance from fan housing to combustible material.
- * Wall Registers must be 4" (102mm) from floor above or ceiling below.

EX90 / R90 Framing Clearances



Minimum Duct Clearances

The air duct has a '0' clearance to combustible. The first 60" of pipe from the unit must be covered with insulation. (Insulation included with kit.)

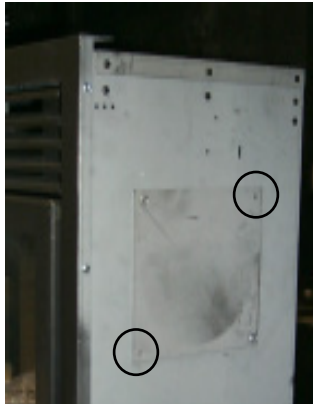


INSTALLATION

NOTE: Installation of Heat Wave duct kit should be done prior to drywall installation.

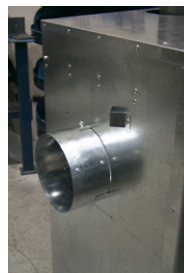
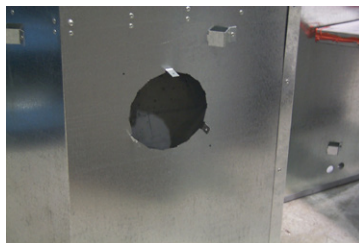
A) R90 / EX90 Models:

- 1) Remove the cover plate from the fireplace side and discard.



Remove the 2 screws holding the cover plate on the fireplace side.

- 2) Remove the knock-out and bend the tabs outward.



Center Round Duct collar over hole and attach to the tabs using 3 screws

NOTE: This must be done prior to placing fireplace into final position.

B) All Models:

- 1) Determine the location of the air register/fan housing assembly. Cut a 5" x 16" (121mm x 406mm) hole between framing members (wall studs or floor joists). Maintain a 1/4" (6mm) clearance from fan housing to combustible material. See Framing Clearances section.
- 2) Mount and secure the fan housing assembly to framing members, the front of the fan housing will protrude 1/2" (51mm) out of the wall so it may be finished with drywall, etc. See diagram 2 below.

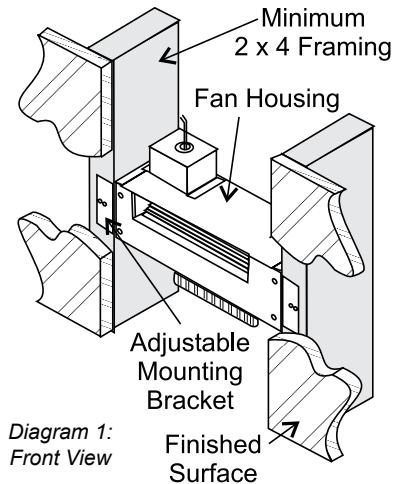


Diagram 1: Front View

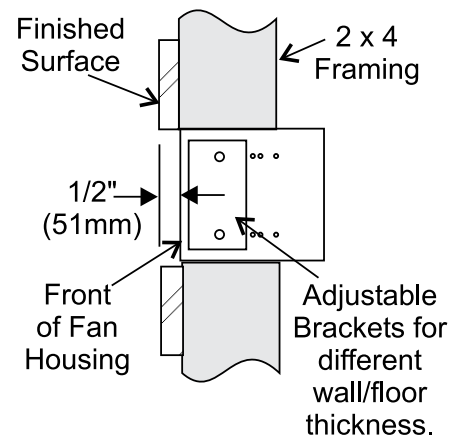


Diagram 2: Side View - Secure fan housing to minimum 2 x 4 framing.

- 3) Install the air duct run. Secure the duct to the duct collar on the unit and to the fan housing with 3 screws (per end) and aluminum duct tape (UL 181A-P or equivalent).

The first 60" of duct pipe (from the unit) must be covered with insulation.

Round Air Duct: Attach the 6" round air duct (supplied) to the fireplace collar and run the duct to the fan housing. Attach the round-to-oval adaptor to the fan housing and the air duct to the adaptor.

HEATWAVE KIT (NOT EPA APPROVED)

Oval Air Duct: Attach the round-to-oval adaptor to the fireplace starting collar and a 6" oval duct (not supplied) to the adaptor. Complete the duct run and attach the oval duct to the fan housing.

Round and Oval Duct: A combination of 6" round and 6" oval duct can be used in the duct run. Oval duct components are not supplied but can be purchased from an HVAC supplier.

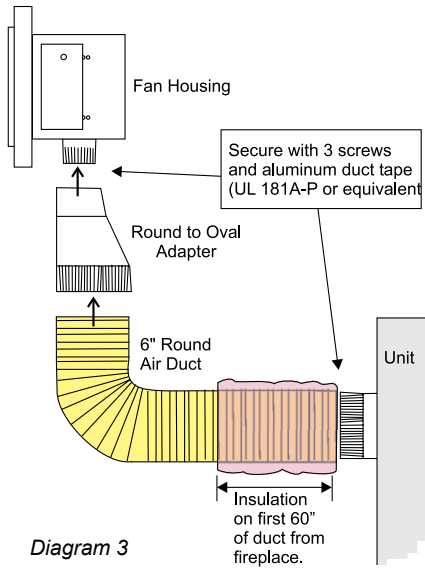


Diagram 3

- 4) Install the variable speed Wall Rheostat (with OFF setting) in a convenient location. This switch controls the fan operation.
- 5) Wire 120V AC service to the Wall Rheostat and from the Wall Rheostat to the Fan Junction Box. Use wire nuts to secure the 120V AC wires to the hot and neutral fan wires and screw the 120V AC ground wire to the Fan Junction Box. See wiring diagram below.
- 6) Screw the fan junction box to the fan housing.
- 7) Screw the Register Adapter Frame and the Air Register to the Fan Housing, diagram 4 below.

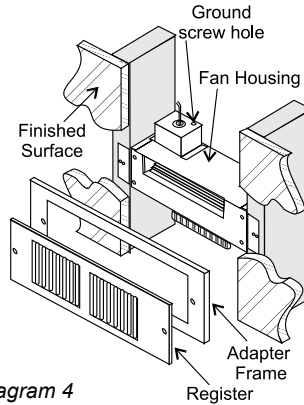


Diagram 4

- Note: For new construction only the Air Register is required to cover the opening.**
- 8) Complete the fireplace installation as per fireplace installation manual.

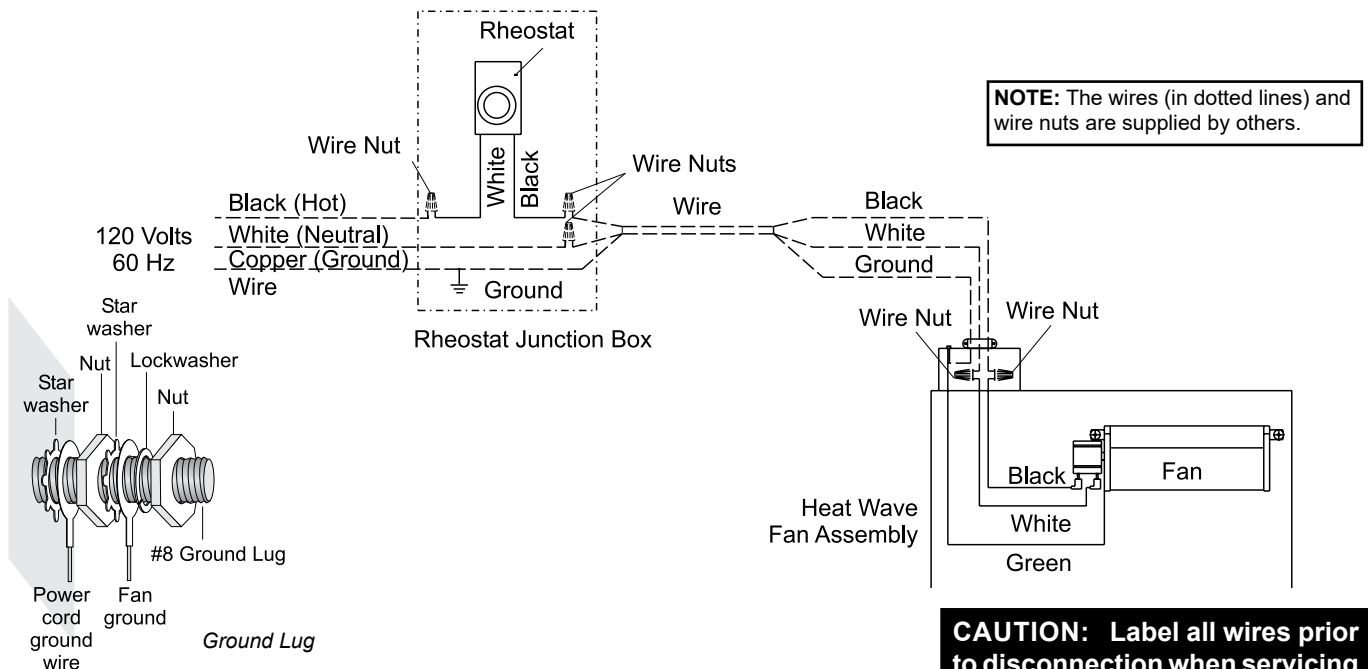
OPERATION

- 1) Start the fireplace as per instructions and allow it to warm up.
- 2) Turn the Wall Rheostat "ON" and adjust the variable speed based upon desired air flow at the Air Duct Register.

MAINTENANCE

- 1) Service and maintain the fireplace as per the fireplace installation manual.
- 2) Keep the Air Register(s) clean and free of any blockage.

WIRING DIAGRAM



Caution: Ensure that the wires do not touch any hot surfaces and are away from sharp edges.

Do not cut the ground terminal off under any circumstances.

CAUTION: Label all wires prior to disconnection when servicing controls. Wiring errors can cause improper and dangerous operation.

IMPORTANT: If the internal blower is installed, it cannot be operated if the Heat Wave air duct kit fan is operating.

SEASONED WOOD

Whether you burn wood in a fireplace, stove or insert, good quality firewood is the key to convenience, efficiency and safety. Wet wood and pieces that are not the right size and shape for your wood burner can be frustrating, burn inefficiently and deposit creosote that can fuel a dangerous chimney fire. Good planning, seasoning and storage of the firewood supply are essential to successful wood burning.

- Stack the wood in separate rows in an open location where the summer sun can warm it and breezes can carry away the moisture. Do not stack unseasoned wood tightly in an unvented storage area.
- Do not allow firewood to lie on the ground for more than a couple of days before stacking. Mould and rot can set in quickly.
- Stack the wood up off the ground on poles, lumber rails or pallets.
- The top of the pile can be covered to keep off rain, but do not cover the sides.

Softer woods like pine, spruce and poplar/aspen that is cut, split and stacked properly in the early spring maybe be ready for burning in the fall. Extremely hard woods like oak and maple, and large pieces of firewood, may take a minimum of a full year to dry enough. Drying may also take longer in damp climates

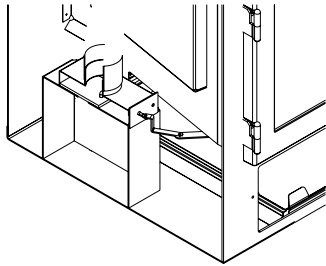
There are a few ways to tell if wood is dry enough to burn efficiently. Use as many indicators as possible to judge the dryness of the firewood your are considering. Here are ways to judge firewood moisture.

- Using a moisture meter, select the species of fuel and then penetrate the pins into a split piece. Ideal moisture and seasoned firewood should be less than 20% moisture content.
- Checks or cracks in the end grain can be an indication of dryness, but may not be a reliable indicator. Some wet wood has checks and some dry wood has no checks.
- The wood tends to darken from white or cream colour to grey or yellow as it dries.
- Two dry pieces banged together sound hollow; wet pieces sound solid and dull.
- Dry wood weighs much less than wet wood.
- Split a piece of wood. If the exposed surface feels damp, the wood is too wet to burn.

OPERATING INSTRUCTIONS

Draft Control

Both the primary and air wash drafts are controlled by the control rod located behind the bottom louver. To increase your draft, pull to the right for **open**, to decrease push to the left for **closed**.



WARNING: Do not build the fire too close to the glass.

FIRST FIRE

When your installation is completed and inspected you are ready for your first fire.

- 1) Open draft control fully to the right to open.
- 2) Open firebox doors and build a small fire using paper and dry kindling. Secure doors on the firebox and wait a few minutes for a good updraft in the flue to establish the fire. Leaving the doors slightly open will help your fire start more rapidly and keep glass clean. Add more kindling to establish a hot coal bed before adding larger cordwood.

CAUTION: Fireplace equipped with doors should be operated only with doors fully open or doors fully closed. If doors are left partly open, gas and flame may be drawn out of the fireplace opening, creating risks of both fire and smoke.

- 3) With the draft still in the fully open position add two or three seasoned logs to your fire. Form a trench in the ash bed to allow air to reach the rear of the firebox prior to closing the doors.
- 4) **During the first few days it may be more difficult to start the fire. As you dry out your firebrick, your draft will increase.** Due to the large quantity of firebrick, which has a high water content, it may take many fires (20 or more) to thoroughly cure the firebrick. The firebrick will become lighter in colour as it dries out.
- 5) After about 15 to 20 minutes, when your wood has begun to burn strongly, adjust your draft control down to keep the fire at a moderate level.

WARNING: Never build a roaring fire in

a cold stove. Always warm your stove up slowly!

- 6) Once a bed of coals has been established, you may adjust the draft control to a low setting to operate the unit at its most efficient mode.
 - 7) For the first few days, the stove will give off an odour from the paint and oil burn off. This is to be expected as the high temperature paint becomes seasoned. Windows and/or doors should be left open to provide adequate ventilation while this temporary condition exists. Burning the stove at a very high temperature the first few times may damage the paint. Burn fires at a moderate level the first few days.
 - 8) For those units installed at higher elevations drafting problems may occur. Consult an experienced dealer on methods of increasing your draft. Follow the Flue Height Chart (Table 2, page 15).
 - 9) Some cracking and popping noises may be experienced during the heating up process. These noises will be minimal when your unit reaches temperature.
 - 10) Before opening your door to reload, open draft fully for approximately 10 to 15 seconds until fire has been re-established. This will minimize any smoking.
 - 11) All fuel burning appliances consume oxygen during operation. It is important that you supply a source of fresh air to your unit while burning. Air drawn from the interior of the building will affect the performance of gas or oil furnaces, and exhaust fans and fan driven appliances. This may cause a negative pressure in the house allowing smoke to back into the home. The preferred source of combustion air is from outside the building. If possible, install the kit on the wind loading side of the building not the leeward or (negative pressure) side.
 - 12) Green or wet wood is not recommended for your unit since most of the energy will be used to drive off the moisture instead of heating your home. As well, green or wet wood can result in dirty glass.
 - 13) Always maintain clean glass. Clean glass means a clean flue; if you are experiencing dirty glass you may be operating a fire that is set too low. Ask your dealer for details.
 - 14) Keep your spark arrester on the flue clean. It should be checked and maintained regularly, at least monthly.
- 2) **Keep the doors closed during operation. Doors can be fully open during operation when optional fire screen door is used. Maintain all seals in good condition.**
 - 3) Do not burn large quantities of paper in your fireplace.
 - 4) If you have smoke detectors, prevent smoke spillage as this may set off a false alarm.
 - 5) **Do not overfire fireplace.** Attempts to achieve heat output rates that exceed heater design specifications can result in permanent damage to the heater. If overfiring takes place, stop adding fuel and close the draft control. Overfiring can cause extensive damage to your unit including warpage and premature steel corrosion. **Overfiring will void your warranty.**
 - 6) Do not permit creosote or soot build-up in the chimney system. Check and clean chimney at regular intervals.
 - 7) The fireplace face can be very hot. You may be seriously burned if you touch the unit while in operation. Warn children of the burn hazard.
 - 8) Do not connect this unit to a chimney flue serving another appliance.
 - 9) Do not use grates or andirons or other methods for supporting fuel. Burn directly on the bricks.
 - 10) When re-fuelling the fire turn off blowers, open draft prior to slowly opening the door. Failure to do so could result in smoke spillage.
 - 11) Your unit should burn dry, standard firewood only. The use of "mill ends" is discouraged as this fuel can easily overheat your fireplace. Evidence of excessive overheating will void your warranty. As well, a large portion of sawmill waste is chemically treated lumber, which is illegal to burn in many areas. Salt drift wood, chemically treated fire logs and pressure treated woods, green or wet wood, must not be burned in your woodstoves.
 - 12) Do not store any fuel closer than 3 feet from your unit.
 - 13) Clearances from front of the fireplace to combustible materials is 36" (i.e. from a sofa, table, etc.).
 - 14) **IMPORTANT:** Do not obstruct the convection louvers at any time. Blocking air into this area will cause excessively high firebox temperatures and a potentially dangerous situation.
 - 15) **Creosote: Formation and need for removal.** When wood is burned slowly, it produces tar and other organic vapors, which combine with expelled moisture to form creosote. The creosote vapors condense in the relatively cool chimney flue of a slow-burning fire. As a result, creosote residue accumulates on the flue lining. When ignited, this creosote makes an extremely hot fire. The chimney shall be inspected at least twice a year during the heating season to determine when a creosote buildup has occurred. If creosote has accumulated it shall be removed to reduce the risk of a chimney fire.

SAFETY GUIDELINES

- 1) Never use gasoline, gasoline type lantern fuels, kerosene, charcoal lighter fuel or similar liquids to start or 'freshen up' a fire in your fireplace. Keep all such liquids well away from the unit while in use.



How to Light & Maintain a Wood Stove Fire

PLATED FINISHES

The optional plated finishes on the louvers and surrounds requires little maintenance and needs only to be cleaned with a damp cloth. **DO NOT** use abrasive materials or chemical cleaners, as they may harm the finish and void the warranty. Keep doors and louvers off during construction to avoid damage.

DOOR GASKET

If the door gasket requires replacement, you must use 5/8" (16mm) diameter oval, medium density material, 40" (1016mm) long for each side. A proper high temperature gasket adhesive is required. Contact your dealer for the Regency Gasket Repair Kit.

DOOR HINGES

Grease door hinges with high temperature grease regularly for smooth operation and to avoid squeaks.

GLASS CLEANING

Only clean your glass window when it is cool. Your local retailer can supply you with a recommended glass cleaner if plain water and a soft cloth does not remove all deposits. Do not use oven cleaner on the glass as it will etch the glass.

Do not use any type of abrasive cleaner to clean glass.

GLASS REMOVAL / REPLACEMENT

Allow the stove to cool before removing or replacing glass. Remove the door from the fireplace and remove the glass retainer. Use caution when removing broken glass to avoid injury. When placing the replacement glass in the door, make sure that the glass gasketing will properly seal your unit. Replace the retainer and tighten securely, but do not wrench down on the glass as this may cause breakage. Do not substitute materials. If your glass door breaks, do not use your unit until it has been replaced.

CHIMNEY CLEANING

Do not permit any creosote or soot build-up in the chimney system. If you detect any build-up contact a qualified chimney sweep or clean it yourself. Perform the following steps:

- a. Remove the first secondary air tube and baffles.
- b. Remove the termination cap by removing the screws and lifting.
- c. Make sure fireplace doors are shut to prevent soot and dirt from entering the loom.
- d. Clean chimney with either nylon or steel brush.
- e. Replace chimney cap.
- f. Re-install baffles and secondary tubes.

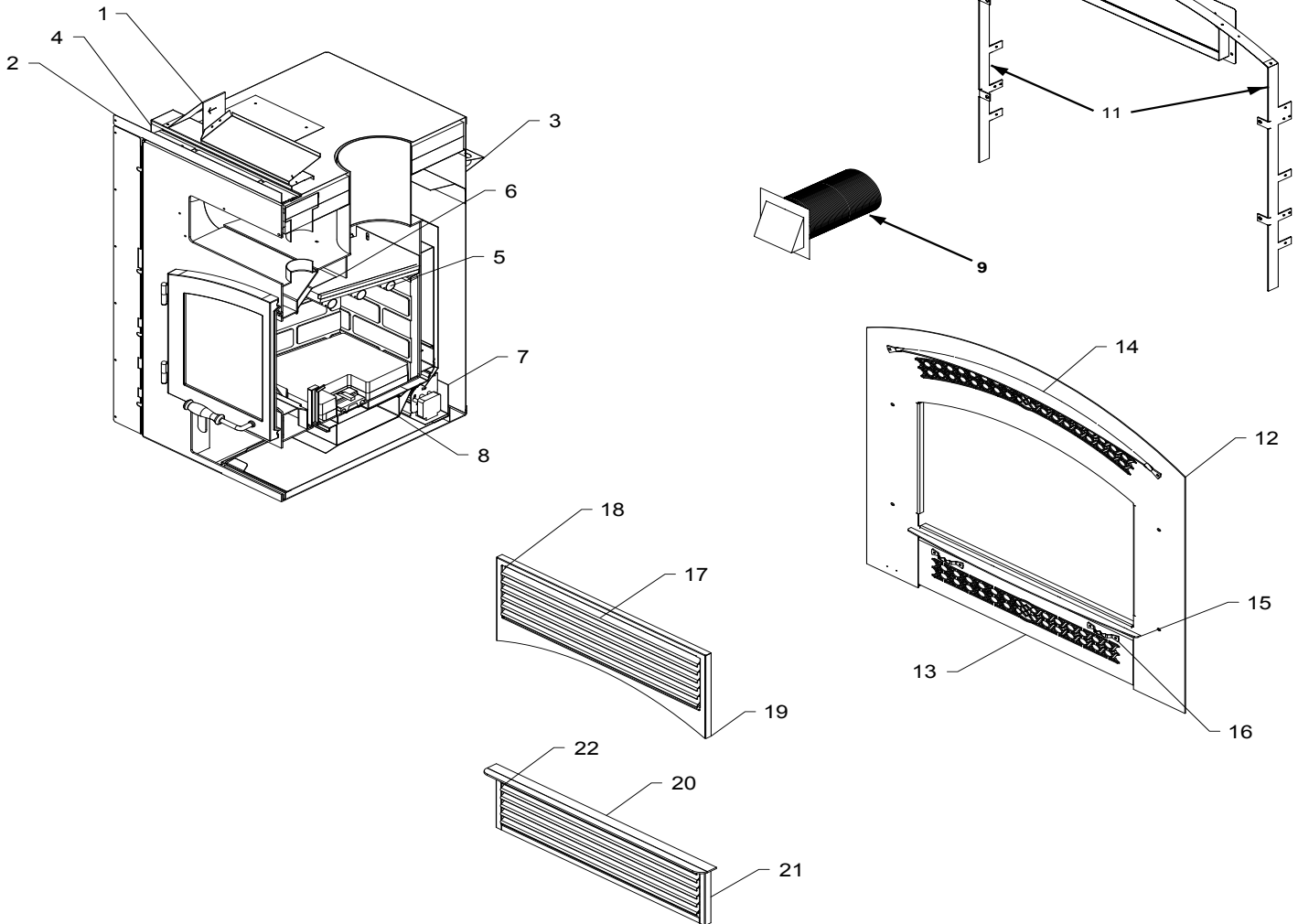


Cleaning & Maintaining Your Wood Stove

Annual Maintenance	
Completely clean out entire unit	Annually
Inspect air tubes, baffles and bricks	Replace any damaged parts.
Adjust door catch / latch	If unable to obtain a tight seal on the door - replace door gasket seal. Readjust latch after new gasket installed.
Inspect condition and seal of: Glass Gasket Door Gasket	Perform paper test - replace gasket if required
Paper Test	Test the seal on the loading door with a paper bill. Place a paper bill in the gasketed area of the door of a cold stove. Close the door. Try to remove the paper by pulling. The paper should not pull out easily, if it does, try adjusting the door latch, if that doesn't solve the problem replace the door gasket.
Check and lubricate door hinge + latch	Use only high temperature anti seize lube. (ie. never seize)
Check glass for cracks	Replace if required.
Clean blower motor	Disconnect power supply. Remove and clean blower. *DO NOT LUBRICATE*
Inspect and clean chimney	Annual professional chimney cleaning recommended.

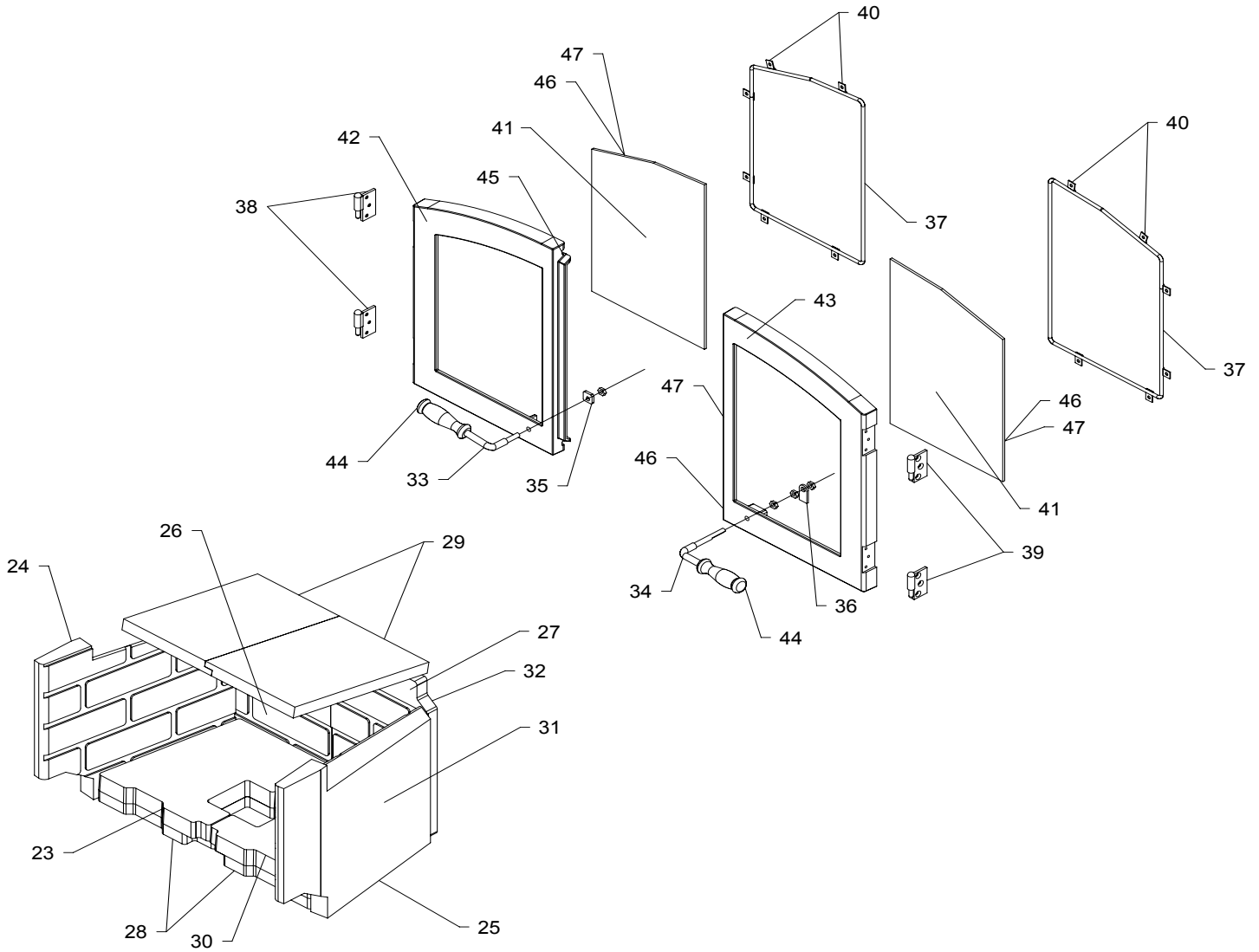
PARTS LIST- FIREBOX & BODY

Part #	Description	Part #	Description
1) 001-127	Heat Deflector Top	10) 001-537	Grill Duct - Top
001-128	Stand Off Top - Right Side	11) 001-042	Facing Guide - Right Side
001-129	Stand Off Top - Left Side	001-043	Facing Guide - Left Side
001-130	Support Top Stand Off	001-921	Surround Black
2) 001-122	Nailing Strip - Top	12)	Surround
001-123	Nailing Strip - Right	13)	Lower Grille Surround
001-124	Nailing Strip - Left	14)	Hood - Surround
001-302	Nailing Strip Spacer	15)	Ashlip - Surround
3) 001-125F	Stand Off Sides	16) 790-083	Handles
001-273F	Stand Off Back	001-931	Flush Black
4) 001-274	Top Stand Off Insulation	17)	Louver Classic Unit
5) 001-953	Air Tube (Each)	18)	Louver Support Frame - Top Grille
6) 001-161	Smoke Deflector	19)	Boarder Frame - Top Grille
7) 910-142	Thermodisc 60T12	20)	Ashlip Classic Wood Fireplace
910-175/P	Fan Jakel (AX3088)	21)	Border Frame - Bottom Grille
910-330	Variable Switch	22)	Louver Support Frame - Bottom Grille
8) 001-911	Ash Drawer Complete		
	Shelf Ash Drawer		
	Ash Drawer		
	Ash Drawer Lid		
942-110	Ash Plug		
820-375	Ash Hole Cover Plate		
	Retainer Plate		
9) 948-326	Intake Pipe 6"		
948-327	Intake Pipe Insulation		
948-416	6" Outside Air Kit		



PARTS LIST- BAFFLES, DOOR, OPTIONS

Part #	Description	Part #	Description
23) 902-534	Brick Liner - Bottom Left	36) 001-170	Door Latch [Double]
24) 902-535	Vermiculite Liner - Left Side	37) 001-278	Double Door Glass Retaining Rod
25) 902-536	Vermiculite Liner - Right Side	38) 001-292F	Hinge Mounting Plate - Left Male
26) 902-537	Brick Liner - Back Left	815-242	Hinge Pin - Male
27) 902-538	Brick Liner - Back Right	39) 001-293F	Hinge Mounting Plate - Right Male
28) 902-539	Vermiculite Liner - Bottom	815-242	Hinge Pin - Male
29) 001-955	Baffle Firebox Top - Left and Right	40) 820-184	Clip Glass Retainer
30) 902-581	Brick Liner - Bottom Right	41) 940-341/P	Glass [Double Door]- Each
31) 001-214	Insulation Side Liner (Each)	42) 942-772	Double Door - Ls
32) 001-276	Insulation Back Liner (Each)	43) 942-773	Double Door - Rs
001-550	Door Handle Assembly Complete - Left	44) 948-449	Wood Handle - Each
001-551	Door Handle Assembly Complete - Right	45) 936-060	Rope Gasket 5/8 Med Desnity
33) 001-137	Steel Handle - Left Door	46) 936-243	Tape 7/8 Window Adhesive
34) 001-138	Steel Handle - Right Door	47) 936-299	Tape 3/16 X 3/8in.
35) 001-147F	Anchor Bracket - Left Handle		



Limited Lifetime Warranty

FPI Fireplace Products International Ltd. (for Canadian customers) and Fireplace Products U.S., Inc. (for U.S. customers) (collectively referred to herein as “FPI”) extends this Limited Lifetime Warranty to the original purchaser of this appliance provided the product remains in the original place of installation. The items covered by this limited warranty and the period of such coverage is set forth in the table below.

Some conditions apply (see below).

The policy is not transferable, amendable or negotiable under any circumstances.

Wood Products	Component Coverage					Labor Coverage (Years)
	Lifetime	5 years	2 years	1 year	Warranty	
Welded Firebox Steel	✓					5
All Stainless Steel Components, Smoke Deflectors, Heat Shields etc.	✓					3
Air Tubes	✓					3
Airmate	✓					3
Door handle and latch assembly, all hardware	✓					3
Glass Thermal Breakage Only	✓					3
Steel Faceplates, Accessory Housings	✓					3
All Plating	✓					3
Ash Drawer, Heatshields, Pedestal	✓					
All Baffles, Steel, Ceramic, Vermiculite	✓					
All castings, firebox, surrounds, doors, panels etc.		✓				3
All Electrical, Blower, wiring, switches etc.			✓			2
Glass - Crazing				✓		1
Catalyst Assembly					6 Years Prorated	3
Venting/Chimney				✓		1
Screens				✓		1

Conditions:

Warranty protects against defect in manufacture or FPI factory assembled components only, unless herein specified otherwise.

Any part(s) found to be defective during the warranty period as outlined above will be repaired or replaced at FPI’s option through an accredited distributor, dealer or pre-approved and assigned agent provided that the defective part is returned to the distributor, dealer or agent for inspection if requested by FPI. Alternatively, FPI may at its own discretion fully discharge all of its obligations under the warranty by refunding the verified purchase price of the product to the original purchaser. The purchase price must be confirmed by the original Bill of Sale.

The authorized selling dealer, or an alternative authorized FPI dealer if pre-approved by FPI, is responsible for all in-field diagnosis and service work related to all warranty claims. FPI is not responsible for results or costs of workmanship of unauthorized FPI dealers or agents in the negligence of their service work.

At all times FPI reserves the right to inspect reported complaints on location in the field claimed to be defective prior to processing or authorizing of any claim. Failure to allow this upon request will void the warranty.

All warranty claims must be submitted by the dealer servicing the claim, including a copy of the Bill of Sale (proof of purchase by you). All claims must be complete and provide full details as requested by FPI to receive consideration for evaluation. Incomplete claims may be rejected.

Replacement units are limited to one per warranty term. Airtube and baffle replacements are limited to one replacement per term.

Unit must be installed according to all manufacturers' instructions as per the manual.

All Local and National required codes must be met.

The installer is responsible to ensure the unit is operating as designed at the time of installation.

The original purchaser is responsible for annual maintenance of the unit, as outlined in the owner's manual. As outlined below, the warranty may be voided due to problems caused by lack of maintenance.

Repair/replacement parts purchased by the consumer from FPI after the original coverage has expired on the unit will carry a 90 day warranty, valid with a receipt only. Any item shown to be defective will be repaired or replaced at our discretion. No labor coverage is included with these parts

Exclusions:

This Limited Lifetime Warranty does not extend to paint, rust or corrosion of any kind due to a lack of maintenance or improper venting, combustion air provision, corrosive chemicals (i.e. chlorine, salt, air, etc.), firebrick (rear, sides or bottom), door or glass gasketing, or any other additional factory fitted gasketing.

Malfunction, damage or performance based issues as a result of environmental conditions, location, chemical damages, downdrafts, installation error, installation by an unqualified installer, incorrect chimney components (including but not limited to cap size or type), operator error, abuse, misuse, use of improper fuels (such as unseasoned cordwood, mill-ends, construction lumber or debris, off-cuts, treated or painted lumber, metal or foil, plastics, garbage, solvents, cardboard, coal or coal products, oil based products, waxed cartons, compressed pre-manufactured logs), lack of regular maintenance and upkeep, acts of God, weather related problems from hurricanes, tornados, earthquakes, floods, lightning strikes/bolts or acts of terrorism or war, which result in malfunction of the appliance are not covered under the terms of this Limited Lifetime Warranty.

FPI has no obligation to enhance or modify any unit once manufactured (i.e. as products evolve, field modifications or upgrades will not be performed on existing appliances).

This warranty does not cover dealer travel costs for diagnostic or service work. All labor rates paid to authorized dealers are subsidized, pre-determined rates. Dealers may charge homeowner for travel and additional time beyond their subsidy.

Any unit showing signs of neglect or misuse will not be covered under the terms of this warranty policy and may void this warranty. This includes units with rusted or corroded fireboxes which have not been reported as rusted or corroded within three (3) months of installation/purchase.

Units which show evidence of being operated while damaged, or with problems known to the purchaser and causing further damages will void this warranty.

Units where the serial no. has been altered, deleted, removed or made illegible will void this warranty.

Minor movement, expansion and contraction of the steel is normal and is not covered under the terms of this warranty.

Freight damages for products or parts are not covered under the terms of the warranty.

Products made or provided by other manufacturers and used in conjunction with the FPI appliance without prior authorization from FPI may void this warranty.

Limitations of Liability:

The original purchaser’s exclusive remedy under this warranty, and FPI’s sole obligation under this warranty, express or implied, in contract or in tort, shall be limited to replacement, repair, or refund, as outlined above. IN NO EVENT WILL FPI BE LIABLE UNDER THIS WARRANTY FOR ANY INCIDENTAL OR CONSEQUENTIAL COMMERCIAL DAMAGES OR DAMAGES TO PROPERTY. TO THE EXTENT PERMITTED BY APPLICABLE LAW, FPI MAKES NO EXPRESS WARRANTIES OTHER THAN THE WARRANTY SPECIFIED HEREIN. THE DURATION OF ANY IMPLIED WARRANTY IS LIMITED TO DURATION OF THE EXPRESSED WARRANTY SPECIFIED ABOVE. IF IMPLIED WARRANTIES CANNOT BE DISCLAIMED, THEN SUCH WARRANTIES ARE LIMITED IN DURATION TO THE DURATION OF THIS WARRANTY.

Some U.S. states do not allow limitations on how long an implied warranty lasts, or allow exclusion or limitation of incidental or consequential damages, so the above limitations or exclusions may not apply to you.

Customers located outside the U.S. should consult their local, provincial or national legal codes for additional terms which may be applicable to this warranty.

How to Obtain Warranty Service:

Customers should contact the authorized selling dealer to obtain warranty service. In the event the authorized selling dealer is unable to provide warranty service, please contact FPI by mail at the address listed below. Please include a brief description of the problem and your address, email and telephone contact information. A representative will contact you to make arrangements for an inspection and/or warranty service.

Canadian Warrantor:

FPI Fireplace Products International Ltd.
6988 Venture St.
Delta, British Columbia
Canada, V4G 1H4

U.S. Warrantor:

Fireplace Products U.S., Inc.
PO Box 2189 PMB 125
Blaine, WA
United States, 98231

Or contact the Regency Customer Care Centre at 1-800-442-7432 (phone) / 604-946-4349 (fax)

Product Registration and Customer Support:

Thank you for choosing a Regency Fireplace. Regency strives to be a world leader in the design, manufacture, and marketing of hearth products. To provide the best support for your product, we request that you complete a product registration form at <http://www.regency-fire.com/Customer-Care/Warranty-Registration.aspx> within ninety (90) days of purchase.



Product Registration and Customer Support:

Thank you for choosing a Regency Fireplace. Regency strives to be a world leader in the design, manufacture, and marketing of hearth products. To provide the best support for your product, we request that you complete a product registration form found on our Web Site under Customer Care within ninety (90) days of purchase.

For purchases made in **CANADA or the UNITED STATES:**

<http://www.regency-fire.com/Customer-Care/Warranty-Registration.aspx>

For purchases made in **AUSTRALIA:**

<http://www.regency-fire.com.au/Customer-Care/Warranty-Registration.aspx>

You may also complete the warranty registration form below to register your Regency Fireplace Product and mail and/or fax it back to us, and we will register the warranty for you. It is important you provide us with all the information below in order for us to serve you better.

Warranty Registration Form (or Register online immediately at the above Web Site):

Warranty Details	
Serial Number (required):	
Purchase Date (required) (mm/dd/yyyy):	
Product Details	
Product Model (required):	
Dealer Details	
Dealer Name (required):	
Dealer Address:	
Dealer Phone #:	
Installer:	
Date Installed (mm/dd/yyyy):	
Your Contact Details (required)	
Name:	
Address:	
Phone:	
Email:	

For purchases made in **CANADA:**

**FPI Fireplace Products
International Ltd.**

6988 Venture St.
Delta, British Columbia
Canada, V4G 1H4

Phone: 604-946-5155
Fax: 604-946-4349

For purchases made in the **UNITED STATES:**

Fireplace Products U.S., Inc.

PO Box 2189 PMB 125
Blaine, WA
United States, 98231

Phone: 604-946-5155
Fax: 604-946-4349

For purchases made in **AUSTRALIA:**

**Fireplace Products Australia Pty
Ltd**

1- 3 Conquest Way
Hallam, VIC
Australia, 3803

Phone: +61 3 9799 7277
Fax: +61 3 9799 7822

For fireplace care and tips and answers to most common questions please visit our Customer Care section on our Web Site. Please feel free to contact your selling dealer if you have any questions about your Regency product.

Installer: Please complete the following information

Dealer Name & Address: _____

Installer: _____

Phone #: _____

Date Installed: _____

Serial No.: _____