

HAMPTON[®]

Freestanding Woodstove

Owners & Installation Manual



www.hampton-fire.com
French Manual:-<http://ow.ly/ZvnBd>
Manuel en Français-<http://ow.ly/ZvnBd>

MODEL: H200

Tested by:



Installer: Please complete the details on the back cover and leave this manual with the homeowner.

Homeowner: Please keep these instructions for future reference.

Thank-you for purchasing a **REGENCY FIREPLACE PRODUCT**.

The pride of workmanship that goes into each of our products will give you years of trouble-free enjoyment. Should you have any questions about your product that are not covered in this manual, please contact the REGENCY DEALER in your area. Keep those REGENCY FIRES burning.

"This wood heater has a manufacturer set minimum low burn rate that must not be altered. It is against federal regulations to alter this setting or otherwise operate this wood heater in a manner inconsistent with operating instructions in this manual." Failure to follow the manual details can lead to smoke and CO emissions spilling into the home. It is recommended to have monitors in areas that are expected to generate CO such as heater fuelling areas.

"U.S. ENVIRONMENTAL PROTECTION AGENCY Certified to comply with 2015 particulate emission standards using crib wood". Not approved for sale after May 15, 2020."

Model Regency H200 – 3.9 g /hr.

SAFETY NOTE: If this woodstove is not properly installed, a house fire may result. For your safety, follow the installation instructions, contact local building, fire officials, or authority having jurisdiction about restrictions and installation inspection requirements in your area.

The following statements are required by the Environmental Protection Agency:

"This manual describes the installation and operation of the Regency H200 wood heater. This heater meets the 2015 U.S. Environmental Protection Agency's crib wood emission limits for wood heaters. Under specific test conditions this heater has been shown to deliver heat at rates ranging from 10,900 BTU/hr. to 19,400 BTU/hr." This unit has been tested using 5G series and generates the best efficiency when operated using well-seasoned wood and installed in the main living areas where the majority of the chimney is within the building envelope and fully lined."

"It is against federal regulation to operate this wood heater in a manner inconsistent with operating instructions in this manual, or if any parts are removed. " It is against federal regulation to operate this wood heater in a manner inconsistent with operating instructions in this manual.

CAUTION: BURN UNTREATED WOOD ONLY. OTHER MATERIALS SUCH AS WOOD PRESERVATIVES, METAL FOILS, COAL, PLASTIC, GARBAGE, SULPHUR OR OIL MAY DAMAGE THE HEATER

"This heater is designed to burn natural wood only. Higher efficiencies and lower emissions generally result when burning air dried seasoned hardwoods, as compared to softwoods or to green or freshly cut hardwoods."

DO NOT BURN:

- Treated wood
- Coal
- Garbage
- Cardboard
- Solvents
- Colored Paper
- Trash
- Lawn clippings or yard waste
- Materials containing rubber including tires
- Materials containing plastic
- Waste petroleum products , paints or paint thinners or asphalt products
- Materials containing asbestos
- Construction or demolition debris
- Railroad ties
- Manure or animal remains
- Saltwater driftwood or other previously salt water saturated materials
- Unseasoned wood
- Paper products, cardboard, plywood or particle board. The prohibition against burning these materials does not prohibit the use of fire starters made from paper, cardboard, saw dust, wax and similar substances for the purpose of starting a fire in a wood heater

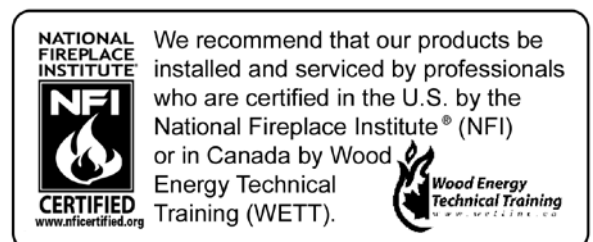
Burning these materials may result in release of toxic fumes or render the heater ineffective and cause smoke.

The authority having jurisdiction (such as Municipal Building Department, Fire Department, Fire Prevention Bureau, etc.) should be consulted before installation to determine the need to obtain a permit.

This unit must be connected to either a listed factory built chimney suitable for use with solid fuels and conforming to ULC629 in Canada or UL-103HT in the United States of America or code approved masonry chimney with flue liner.

H200 is tested and certified to ULC-S627 and UL1482.

SAVE THESE INSTRUCTIONS



SAFETY LABEL

Safety Label.....4

UNIT DIMENSIONS

Unit Dimensions with standard legs5
 Unit Dimensions with optional short legs.....6

INSTALLATION

Pre-installation Assembly7
 Residential Installation.....8
 Modular Installation Options8
 Minimum Alcove Clearance To
 Combustible Materials10
 Additional Clearances For Backwall Exit10
 Floor Protection11
 Step-by-step Chimney And Connector Installation12
 Factory Built Chimney.....12
 Masonry Chimney.....13
 Masonry Fireplace13
 Combustible Wall Chimney
 Connector Pass-throughs.....14
 Recommended Heights For Woodstove Flue15
 Mobile Home Installation16
 Listed Components For Mobile Home Installation17
 Brick Installation18
 Door Removal.....18
 Optional Short Leg Installation18
 Optional Blower/fan Installation19
 Optional Side Shelf Installation.....20
 Optional Ash Drawer Kit Installation21

OPERATING INSTRUCTIONS

Seasoned wood.....22
 Operating Instructions23
 Fan Operation.....23
 First Fire23
 Safety Guidelines And Warnings24
 Draft Control24
 Ash Disposal.....25

MAINTENANCE

Glass Maintenance.....26
 Maintenance26
 Glass Installation/replacement26
 Creosote26
 Wood Storage.....26
 Front Door Gasket27
 Handle Replacement.....27
 Latch Adjustment.....27
 Top Baffle Replacement28

PARTS LIST

H200 Main Assembly.....30
 H200 Door Assembly.....32
 H200 Ash Drawer Assembly33
 H200 Fan Assembly34


WARRANTY

H200 Fan Assembly35

This is a copy of the label that accompanies each Hampton H200 Freestanding Woodstove. We have printed a copy of the contents here for your review.

NOTE: Hampton units are constantly being improved. Check the label on the unit and if there is a difference, the label on the unit is the correct one.

290



Tested By: **UL** (UL103) / **UL** (UL103)
Listed By: **UL** (UL103) / **UL** (UL103)
UL-Test Laboratories, Inc.

DO NOT REMOVE THIS LABEL / NE PAS RETIRER CETTE ÉTIQUETTE

290

REPORT NO.219-S-09-2

MINIMUM ALCOVE CEILING HEIGHT: 1.5 M / 5 FT MAXIMUM ALCOVE DEPTH 1220 MM / 48 IN.
MINIMUM CLEARANCES FOR HORIZONTAL CONNECTOR TO CEILING: 457 MM / 18"
THE SPACE BENEATH THE HEATER MUST NOT BE OBSTRUCTED. OPERATE ONLY WITH FIREBRICKS IN PLACE.

FOR USE WITH SOLID WOOD FUEL ONLY. USE OF OTHER FUELS MAY DAMAGE HEATER AND CREATE A HAZARDOUS CONDITION. DO NOT OBSTRUCT COMBUSTION AIR OPENINGS. OPERATE ONLY WITH FIREBRICKS IN PLACE. OPERATE ONLY WITH DOOR CLOSED - OPEN FEED DOOR TO FEED FIRE ONLY. DO NOT USE GRATE OR ELEVATE FIRE. BUILD WOOD FIRE DIRECTLY ON HEARTH. DO NOT OVERFIRE - IF HEATER OR CHIMNEY CONNECTOR GLOWS YOU ARE OVERFIRING. INSPECT AND CLEAN CHIMNEY AND CONNECTOR FREQUENTLY. UNDER CERTAIN CONDITIONS OF USE CREOSOTE BUILDUP MAY OCCUR RAPIDLY. KEEP FURNISHINGS AND OTHER COMBUSTIBLE MATERIAL AWAY FROM HEATER. REPLACE GLASS ONLY WITH NEOCERAM GLASS. COMBUSTIBLE FLOOR MUST BE PROTECTED BY NON-COMBUSTIBLE MATERIAL EXTENDING BENEATH THE HEATER AND TO THE FRONT AND SIDES AS INDICATED OR TO THE NEAREST PERMITTED COMBUSTIBLE MATERIAL.

OPTIONAL COMPONENT: FAN (846-515). ELECTRICAL RATING: VOLTS 115, 60 HZ, 2 AMPS
DANGER: RISK OF ELECTRIC SHOCK. DISCONNECT POWER BEFORE SERVICING UNIT. DO NOT ROUTE POWER CORD UNDER OR IN FRONT OF APPLIANCE.

MINIMUM ALCOVE CEILING HEIGHT: 1.5 M / 5 FT MAXIMUM ALCOVE DEPTH 1220 MM / 48 IN.
MINIMUM CLEARANCES FOR HORIZONTAL CONNECTOR TO CEILING: 457 MM / 18"
THE SPACE BENEATH THE HEATER MUST NOT BE OBSTRUCTED. OPERATE ONLY WITH FIREBRICKS IN PLACE. FOR USE WITH SOLID WOOD FUEL ONLY. USE OF OTHER FUELS MAY DAMAGE HEATER AND CREATE A HAZARDOUS CONDITION. DO NOT OBSTRUCT COMBUSTION AIR OPENINGS. OPERATE ONLY WITH FIREBRICKS IN PLACE. OPERATE ONLY WITH DOOR CLOSED - OPEN FEED DOOR TO FEED FIRE ONLY. DO NOT USE GRATE OR ELEVATE FIRE. BUILD WOOD FIRE DIRECTLY ON HEARTH. DO NOT OVERFIRE - IF HEATER OR CHIMNEY CONNECTOR GLOWS YOU ARE OVERFIRING. INSPECT AND CLEAN CHIMNEY AND CONNECTOR FREQUENTLY. UNDER CERTAIN CONDITIONS OF USE CREOSOTE BUILDUP MAY OCCUR RAPIDLY. KEEP FURNISHINGS AND OTHER COMBUSTIBLE MATERIAL AWAY FROM HEATER. REPLACE GLASS ONLY WITH NEOCERAM GLASS. COMBUSTIBLE FLOOR MUST BE PROTECTED BY NON-COMBUSTIBLE MATERIAL EXTENDING BENEATH THE HEATER AND TO THE FRONT AND SIDES AS INDICATED OR TO THE NEAREST PERMITTED COMBUSTIBLE MATERIAL.

OPTIONAL COMPONENT: FAN (846-515). ELECTRICAL RATING: VOLTS 115, 60 HZ, 2 AMPS
DANGER: RISK OF ELECTRIC SHOCK. DISCONNECT POWER BEFORE SERVICING UNIT. DO NOT ROUTE POWER CORD UNDER OR IN FRONT OF APPLIANCE.

COMPONENTS REQUIRED FOR MOBILE HOME INSTALLATION: OUTSIDE AIR KIT AND ONE OF THE FOLLOWING DOUBLE WALL CONNECTOR

IN CANADA: LISTED SECURITY MODEL DP, OR OLIVER MACLEOD PRO-VENT PV DOUBLE WALLED CONNECTOR WITH LISTED CHIMNEY SYSTEM: SECURITY MODEL S2100, ICC EXCEL 2100, SUPER VENT 2100, SUPERPRO 2100, CF SENTINAL IN USA: LISTED DOUBLE WALL CONNECTORS SECURITY MODEL DP, SELKIRK MODEL DS, OLIVER MACLEOD PRO VENT PV, SIMPSON DURA VENT MODEL DV, GSW SUPER PIPE 6, METAL-FAB DOUBLE WALL, CONNECTED TO ONE OF THE FOLLOWING COMPATIBLE CHIMNEY SYSTEMS SECURITY MODEL S2100 OR MODEL ASHT, SELKIRK MODEL SSI, OLIVER MACLEOD PRO JET 3103, SIMPSON DURA PLUS, GSW MODEL SC OR METAL-FAB TEMPIGUARD, AMERITECHS, ICC EXCEL 2100, SIMPSON DURA PLUS HTC. USE CHIMNEY COMPONENTS AS SPECIFIED IN INSTALLATION INSTRUCTIONS.

HAUTEUR MIN. DU PLAFOND DE L'ALCÔVE : 1.5 M / 5 FT. PROFONDEUR MAX. DE L'ALCÔVE : 1220 MM / 48 PO.
DÉGAGEMENT MINIMAL DU PLAFOND POUR UN CONNECTEUR HORIZONTAL : 457 MM / 18 PO.
L'ESPACE AU-DESSOUS DU POÊLE NE DOIT PAS ÊTRE OBSTRUÉ. UTILISER SEULEMENT AVEC LES BRIQUES RÉFRACTAIRES EN PLACE.
À UTILISER AVEC DU BOIS SOLIDE SEULEMENT. L'UTILISATION D'AUTRES COMBUSTIBLES PEUT ENDOMMAGER LE POÊLE ET S'AVÉRER DANGEREUSE. NE PAS OBSTRUER LES OUVERTURES D'AIR DE COMBUSTION. UTILISER SEULEMENT AVEC LES BRIQUES RÉFRACTAIRES EN PLACE. UTILISER SEULEMENT AVEC LA PORTE FERMÉE - OUVRIRE LA PORTE DE CHARGEMENT SEULEMENT POUR ALIMENTER LE FEU. NE PAS UTILISER DE GRILLES À BŪCHES NI SURELÈVER LE FEU. MONTER LE FEU DE BOIS DIRECTEMENT SUR L'ÂTRE. NE PAS SURCHAUFFER - SI LE POÊLE OU LE CONNECTEUR DE CHEMINÉE SE MET À ROUGIR, C'EST LE SIGNE D'UNE SURCHAUFFE. INSPECTER ET NETTOYER FRÉQUEMMENT LA CHEMINÉE ET LE CONNECTEUR. DANS CERTAINES CONDITIONS D'UTILISATION, UN DÉPÔT DE CREOSOTE PEUT SE FORMER RAPIDEMENT. TENIR LES MEUBLES ET AUTRES MATÉRIEL COMBUSTIBLES ÉLOIGNÉS DU POÊLE. REMPLACER LA VITRE SEULEMENT PAR DU VERRRE EN NEOCERAM. LE PLANCHER COMBUSTIBLE DOIT ÊTRE PROTÉGÉ PAR DES MATÉRIEL NON COMBUSTIBLES DÉPASSANT AU-DESSOUS, À L'AVANT ET SUR LES CÔTÉS DU POÊLE, TEL QU'INDIQUÉ, OU JUSQU'AU MATÉRIEL COMBUSTIBLE LE PLUS PROCHE PERMIS.

COMPONENTS EN OPTION : VENTILATEUR (846-515), ALIMENTATION ÉLECTRIQUE : 115 VOLTS, 60 HZ, 2 AMP.
DANGER : RISQUE D'ELECTROCUTION. DÉCONNECTER L'ALIMENTATION ÉLECTRIQUE AVANT DE FAIRE L'ENTRETIEN DU POÊLE. NE PAS INSTALLER LE CORDON ÉLECTRIQUE SOUS OU DEVANT L'APPAREIL.

COMPONENTS EXIGÉS POUR INSTALLATION DANS UNE MAISON MOBILE : KIT DE PRISE D'AIR EXTÉRIEUR ET UN DES CONNECTEURS DE CHEMINÉE À DOUBLE PAROI SUIVANTS :
AU CANADA: CONNECTEURS DE CHEMINÉE HOMOLOGUÉS À DOUBLE PAROI: SECURITY MODÈLE DP OU OLIVER MACLEOD PRO-VENT PV, AVEC SYSTÈME DE CHEMINÉE HOMOLOGUÉ : SECURITY MODÈLE S2100, ICC EXCEL 2100, SUPER VENT 2100, SUPERPRO 2100, CF SENTINAL.
AUX ÉTATS-UNIS : CONNECTEURS DE CHEMINÉE HOMOLOGUÉS À DOUBLE PAROI : SECURITY MODÈLE DP, SELKIRK MODÈLE DS, OLIVER MACLEOD PRO VENT PV, SIMPSON DURA VENT MODÈLE DV, GSW SUPER PIPE 6, METAL-FAB À DOUBLE PAROI, CONNECTÉ À L'UN DES SYSTÈMES DE CHEMINÉE COMPATIBLES SUIVANTS : SECURITY MODÈLE S2100 OU MODÈLE ASHT, SELKIRK MODÈLE SSI, OLIVER MACLEOD PRO JET 3103, SIMPSON DURA PLUS, GSW MODÈLE SC OU METAL-FAB TEMPIGUARD, AMERITECHS, ICC EXCEL 2100, SIMPSON DURA PLUS HTC. UTILISER LES COMPONENTS DE CHEMINÉE SPÉCIFIÉS DANS LES INSTRUCTIONS D'INSTALLATION.

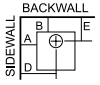
INSTALL AND USE ONLY IN ACCORDANCE WITH THE MANUFACTURER'S INSTALLATION AND OPERATING INSTRUCTIONS. CONTACT LOCAL BUILDING OR FIRE OFFICIALS ABOUT RESTRICTIONS AND INSTALLATION INSPECTION IN YOUR AREA. USE 150 MM (6 IN.) DIAMETER MINIMUM 24 MSG BLACK OR 26 MSG BLUE/SLY CONNECTOR WITH LISTED UL103 HT FACTORY-BUILT CHIMNEY SUITABLE FOR USE WITH SOLID FUELS OR MASONRY CHIMNEY. SEE LOCAL BUILDING CODE AND MANUFACTURER'S INSTRUCTIONS FOR PRECAUTIONS REQUIRED FOR PASSING A CHIMNEY THROUGH A COMBUSTIBLE WALL OR CEILING. DO NOT PASS CHIMNEY CONNECTOR THROUGH COMBUSTIBLE WALL OR CEILING. DO NOT CONNECT THIS UNIT TO A CHIMNEY FLUE SERVING ANOTHER APPLIANCE. INSTALLER ET UTILISER SEULEMENT SELON LES CONSIGNES D'INSTALLATION ET D'UTILISATION DU FABRICANT. CONTACTER LES RESPONSABLES DU BÂTIMENT OU DU SERVICE INCENDIE DE VOTRE RÉGION POUR CONNAÎTRE LES RESTRICTIONS ET EXIGENCES D'INSPECTION DANS VOTRE RÉGION. UTILISER UN CONNECTEUR D'UN DIAMÈTRE MINIMAL DE 150 MM (6 PO) 24 MSG EN ACIER NOIR OU 26 MSG EN ACIER BRONZE AVEC CHEMINÉE PRÉFABRIQUÉE HOMOLOGUÉE UL103 HT CONÇUE POUR UTILISATION AVEC COMBUSTIBLES SOLIDES OU AVEC CHEMINÉE DE MAÇONNERIE. VOIR LE CODE DU BÂTIMENT LOCAL ET LES INSTRUCTIONS DU FABRICANT CONCERNANT LES PRÉCAUTIONS EXIGÉES POUR INSTALLER UNE CHEMINÉE TRAVERSANT UN MUR OU PLAFOND EN MATÉRIEL COMBUSTIBLES. NE PAS FAIRE TRAVERSER LE CONNECTEUR DE CHEMINÉE DANS UN MUR OU PLAFOND EN MATÉRIEL COMBUSTIBLES. NE PAS RACCORDER CE POÊLE À BOIS À UN CONDUIT DE CHEMINÉE DESSERVANT UN AUTRE APPAREIL.

MINIMUM CLEARANCES TO COMBUSTIBLE MATERIALS

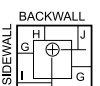
MEASURE FROM	HEATER	FLUE CENTER-LINE
RESIDENTIAL INSTALLATION USING SINGLE WALL CONNECTOR		
SIDEWALL	A 431 mm / 17 in	D 737 mm / 29 in
BACKWALL	B 381 mm / 15 in	E 435 mm / 17-1/8 in
CORNER	C 330 mm / 13 in	F 595 mm / 19-7/8 in
INSTALLATION USING LISTED DOUBLE WALL CONNECTOR - MOBILE HOME		
SIDEWALL	A 381 mm / 15 in	D 686 mm / 27 in
BACKWALL	B 254 mm / 10 in	E 308 mm / 12-1/8 in
CORNER	C 228 mm / 9 in	F 403 mm / 15-7/8 in
INSTALLATION USING LISTED DOUBLE WALL CONNECTOR - RESIDENTIAL CLOSE CLEARANCE		
SIDEWALL	A 381 mm / 15 in	D 686 mm / 27 in
BACKWALL	B 254 mm / 10 in	E 308 mm / 12-1/8 in
CORNER	C 228 mm / 9 in	F 403 mm / 15-7/8 in
INSTALLATION USING LISTED DOUBLE WALL CONNECTOR - ALCOVE		
SIDEWALL	G 381 mm / 15 in	I 686 mm / 27 in
BACKWALL	H 330 mm / 13 in	J 594 mm / 15-1/8 in

* In Canada, floor protection must extend 18" (457mm) to the front and 8" (200mm) to each side and back of the stove.

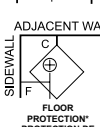
BACKWALL




BACKWALL



ADJACENT WALL



FLOOR PROTECTION* PROTECTION DE PLANCHER*



K 457 mm / 18 in
L 150 mm / 6 in
M 150 mm / 6 in

DÉGAGEMENTS MINIMAUX DES MATÉRIEL COMBUSTIBLES

MEASURES À PARTIR	DU CENTRE DU POÊLE	DU CENTRE DU CONDUIT DE CHEMINÉE
INSTALLATION RESIDENTIELLE UTILISANT UN CONNECTEUR À SIMPLE PAROI		
MUR LATÉRAL	A 431mm/17po	D 737mm/29po
MUR ARRIÈRE	B 381mm/15po	E 435mm/17-1/8po
COIN	C 330mm/13po	F 595mm/19-7/8po
INSTALLATION UTILISANT UN CONNECTEUR HOMOLOGUÉ À DOUBLE PAROI - MAISON MOBILE		
MUR LATÉRAL	A 381mm/15po	D 686mm/27po
MUR ARRIÈRE	B 254mm/10po	E 308mm/12-1/8po
COIN	C 228mm/9po	F 403mm/15-7/8po
INSTALLATION UTILISANT UN CONNECTEUR HOMOLOGUÉ À DOUBLE PAROI - RÉSIDENTIEL (DÉGAGEMENT RÉDUIT)		
MUR LATÉRAL	A 381mm/15po	D 686mm/27po
MUR ARRIÈRE	B 254mm/10po	E 308mm/12-1/8po
COIN	C 228mm/9po	F 403mm/15-7/8po
INSTALLATION UTILISANT UN CONNECTEUR HOMOLOGUÉ À DOUBLE PAROI - ALCOVE		
MUR LATÉRAL	G 381mm/15po	I 686mm/27po
MUR ARRIÈRE	H 330mm/13po	J 594mm/15-1/8po

* Au Canada, la protection de plancher doit dépasser de 18 po (457 mm) à l'avant et de 8 po (200 mm) de chaque côté du poêle et derrière le poêle.


CAUTION

HOT WHILE IN OPERATION DO NOT TOUCH. KEEP CHILDREN, CLOTHING AND FURNITURE AWAY. CONTACT MAY CAUSE SKIN BURNS. READ NAMEPLATE AND INSTRUCTIONS.

ATTENTION

SURFACES CHAUDES DURANT LE FONCTIONNEMENT. NE PAS TOUCHER. TENIR LES ENFANTS, LES VÊTEMENTS ET LES MEUBLES ÉLOIGNÉS DE L'APPAREIL.

TOUT CONTACT PEUT CAUSER DES BRÛLURES. LIRE LA PLAQUE SIGNALÉTIQUE ET LES INSTRUCTIONS.



MANUFACTURED BY/ FABRIQUÉ PAR :
FPI FIREPLACE PRODUCTS INTERNATIONAL LTD.
6988 VENTURE ST.
DELTA, BC V4G 1H4

MADE IN CANADA / FABRIQUÉ AU CANADA

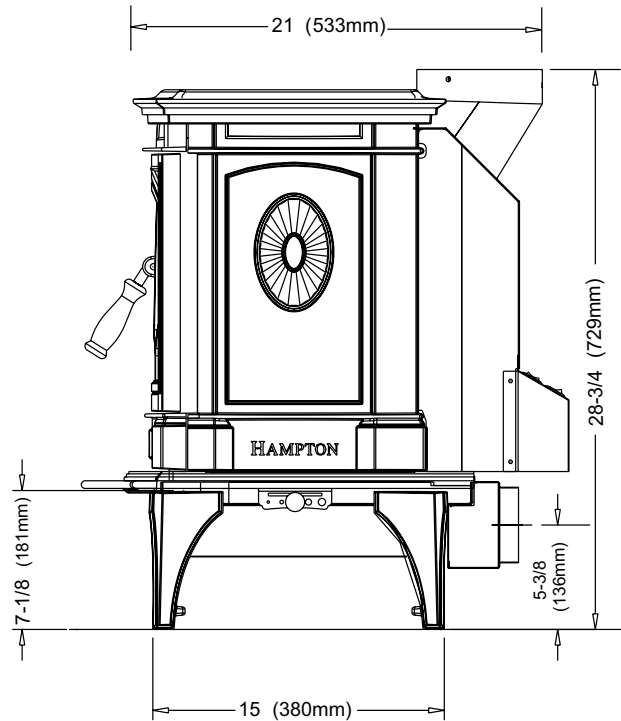
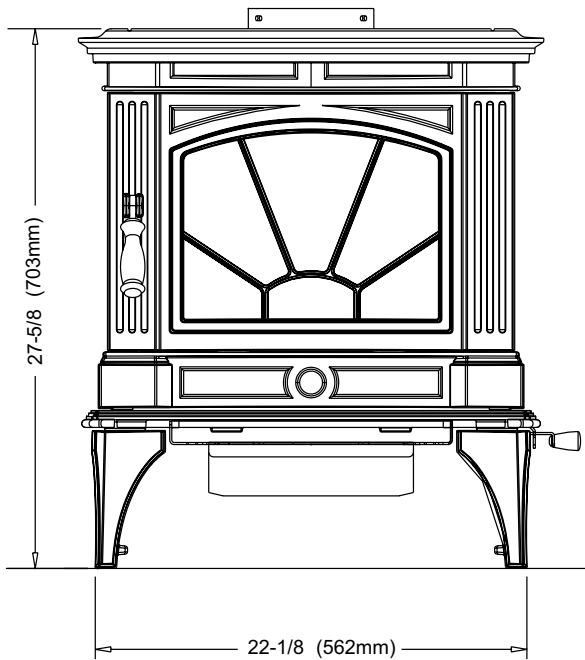
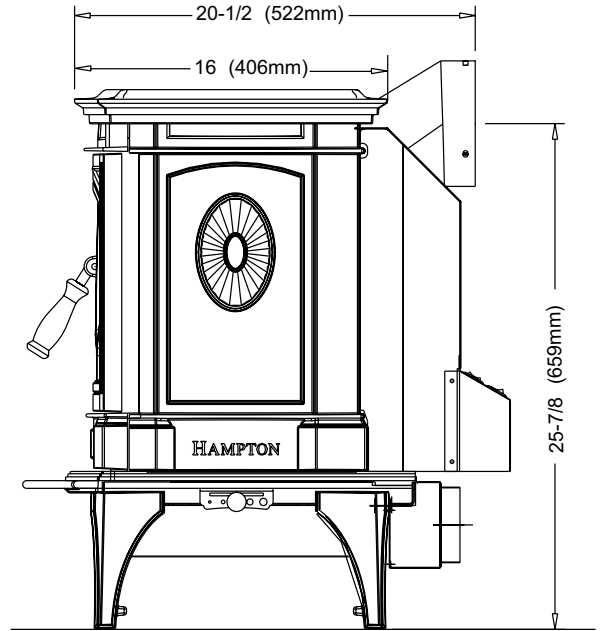
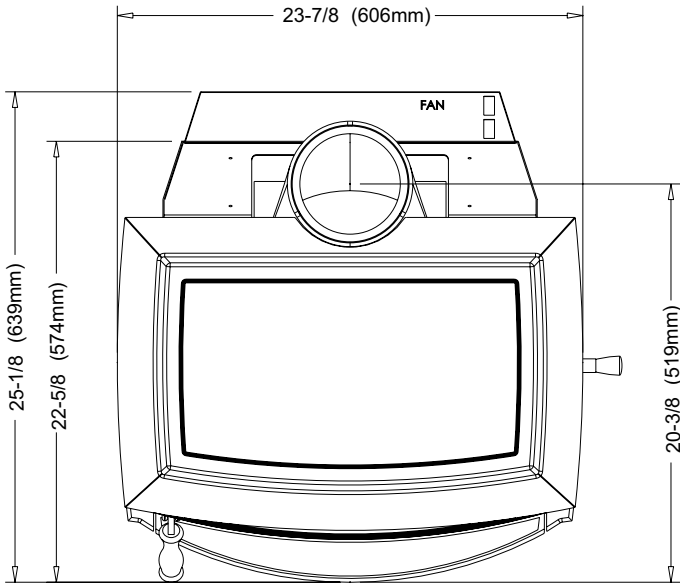
918-428c

DATE OF MANUFACTURE

2017 2018 2019 2020 2021

JAN FEB MAR APR MAY JUN JUL AUG SEPT OCT NOV DEC

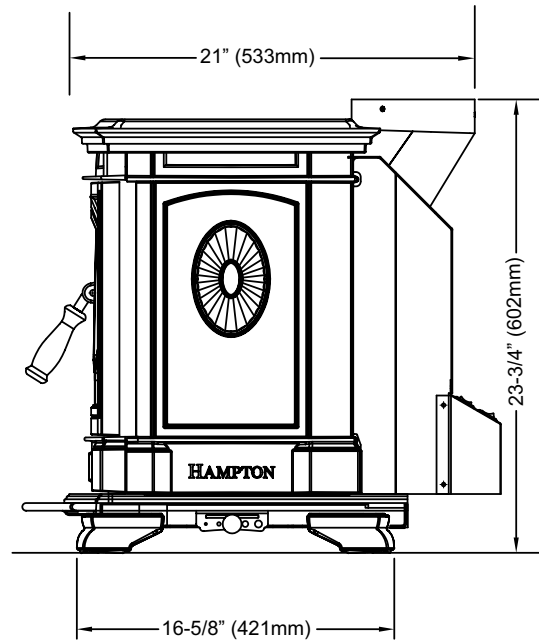
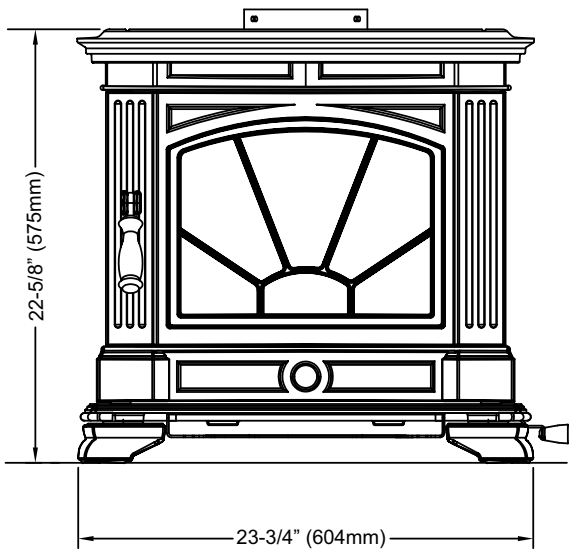
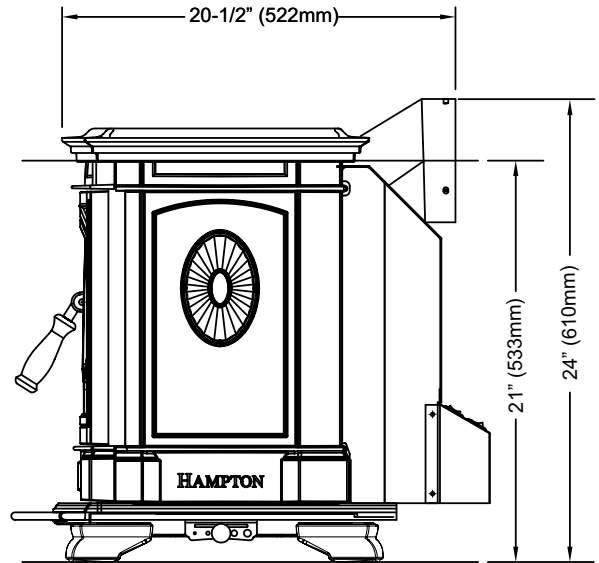
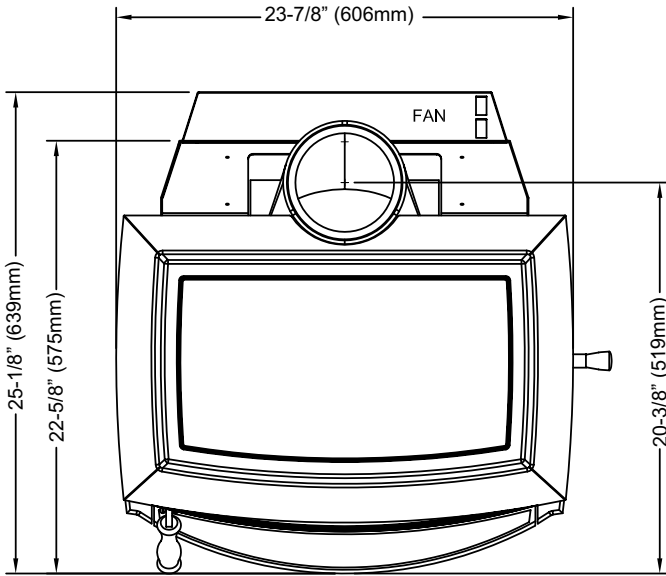
UNIT DIMENSIONS WITH STANDARD LEGS



ALL PICTURES / DIAGRAMS SHOWN THROUGHOUT THIS MANUAL ARE FOR ILLUSTRATION PURPOSES ONLY. ACTUAL PRODUCT MAY VARY DUE TO PRODUCT ENHANCEMENTS.

6 | dimensions

UNIT DIMENSIONS WITH OPTIONAL SHORT LEGS



PRE-INSTALLATION ASSEMBLY

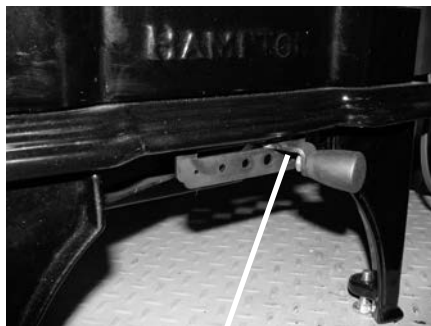
After removing the stove from its packing, open the front door and remove the contents from the firebox, leaving the bricks in place.

Draft Control Lever Handle

- 1) Insert bolt and lock washer through draft control lever hole.
- 2) Place handle through bolt. Tighten to secure.



Bolt Washer Handle

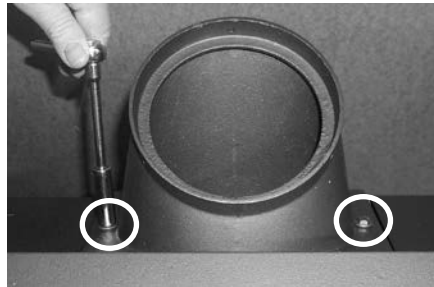


Draft Control Lever

Rotating Elbow

This stove can be connected to either a top or rear vent exit by simply reversing the orientation of the elbow.

Simply remove the 2 screws, change the position of the elbow as desired and secure in place with screws.



Rear Heat Shield

(Used only on Vertical Installations)

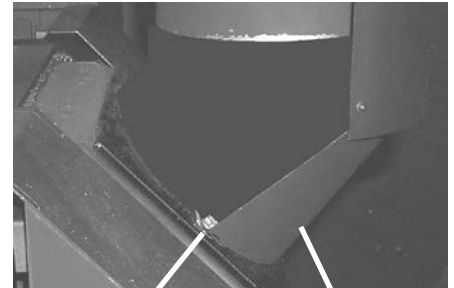
- 1) Loosen the bolts that secure the elbow to the unit. Ensure elbow does not fall off.
- 2) Bend the tabs on the rear heat shield inwards 90 degrees.



Bend tabs inwards 90 degrees.

- 3) Slide the tabs on the rear heat shield in between the bolt and washer.

Please Note: The shield needs to be stretched/ flexed in order to fit in place.



Slide tabs in between Rear Heat Shield washer and bolt.

- 4) Once rear heat shield is evenly in place, tighten bolts to secure.

RESIDENTIAL INSTALLATION

- 1) Please read this entire manual before you install and use your new woodstove. Failure to follow instructions may result in property damage, bodily injury or even death. Be aware that local Codes and Regulations may override some items in this manual. Check with your local inspector.
- 2) Select a position for your Hampton Stove. Consult the minimum clearance chart for your model and set the stove in place. For close clearance installation use listed double wall connector systems.
- 3) To insure vertical alignment, suspend a plumb bob from the ceiling over the exact center of your stove flue and mark a spot on the ceiling to indicate the center of the chimney.
- 4) Check that the area above the ceiling is clear for cutting. Re-confirm the clearance from the stove to combustibles to insure that they are within the prescribed limits.
- 5) This woodstove must be connected to a UL 103 HT (ULC S629) listed chimney or a code approved masonry chimney with a flue liner, from the ceiling and beyond.
- 6) Install chimney according to chimney manufacturers instructions. The performance of your woodstove is governed to a very large part by the chimney system. Too short a chimney can cause difficult start-up, dirty glass, backsmoking when door is open, and

even reduced heat output. Too tall a chimney may prompt excessive draft which can result in very short burn times and excessive heat output. The use of an inexpensive flue pipe damper may be helpful in reducing excessive draft.

CAUTION: The chimney should be the same size as the 6" (152mm) flue outlet on the stove. The chimney must be listed as suitable for use with solid fuels. For other types of chimneys check with your local building code officials. Do not confuse a chimney with a type "B" Venting System used for gas appliances as suitable for a wood burning appliance (refer to the Mobile Home installations section).

- 7) Mark the location of the legs on the floor, then move the stove aside and mark the position of the floor protector.
- 8) The floor protector must be of non-combustible material and must extend 16" (406mm) in front of the door opening and 6" (152mm) to the sides and rear of the unit. Some areas may require a larger size floor protector. However, when installing the unit with the short leg option there is a requirement of 0.84k of floor protector beneath the non-combustible finished floor. See your local inspector. For outside air installation (refer to Mobile Home installation section).

NOTE: In Canada, floor protection must extend 18" (457mm) to the front and 8" (203mm) to each side and back of the stove.

- 9) When the floor protection is complete, position the stove with the flue collar centered under the installed chimney.
- 10) In seismically active areas, we recommend that your unit is secured to the floor by using the bolt down holes inside the legs (the same ones used in Mobile Home installations).
- 11) For residential installations using 6" (152mm) "C" Vent (single wall) the chimney connector must be at least 24 gauge steel. Do not use galvanized pipe (refer to the Mobile Home installation section).
- 12) **Do not connect this unit to a chimney serving another appliance.**
- 13) A chimney connector cannot pass through an attic or roof space, closet or similar concealed space, or a floor, ceiling, wall or partition of combustible construction. In Canada, if passage through a wall, or partition of combustible construction is desired, the installation shall conform to CAN/CSA-B365, Installation Code for Solid-Fuel-Burning Appliances and Equipment.
- 14) Your Hampton Woodstove is not to be connected to any air distribution duct.

Emissions from burning wood or gas could contain chemicals known to the State of California to cause cancer, birth defects or other reproductive harm.

MODULAR INSTALLATION OPTIONS

OPTIONS: These can be installed at time of installation or added later:

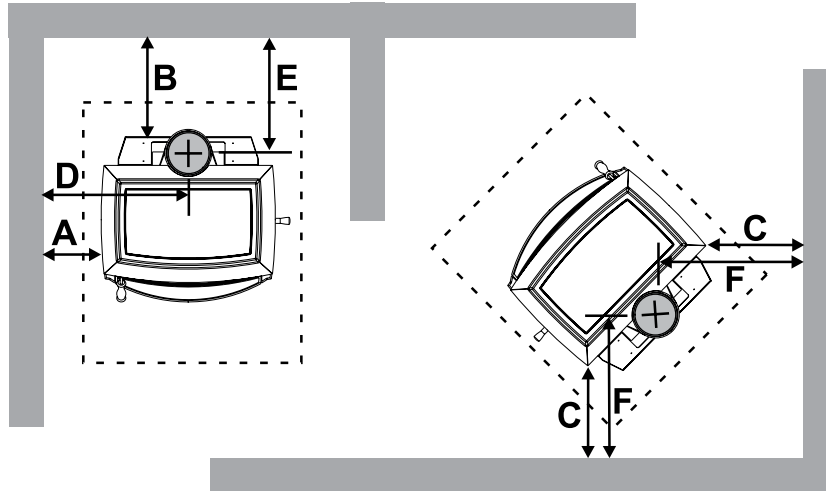
Modular Option	Things to consider when choosing options
Blower/Fan	Adding the blower will increase the area heated by the stove, it can move warm air beyond the room where the stove is installed (refer to the Optional Blower / Fan Installation section).
Outside Air Adaptor	Helps combustion in small or poorly ventilated houses. Installation instructions come with adaptor.
Side Shelves	Add to the traditional look of the stove and double as a warming area for your cookstove creations.
Ash Drawer	Adding the ash drawer will allow for easier removal and transport of ashes.
Short Legs	Helps in reducing the overall height of the unit to accommodate a variety of installations. Using this option prohibits the use of the ash drawer.

MINIMUM ALCOVE CLEARANCE AND CLEARANCE TO COMBUSTIBLE MATERIALS

Please read the section below carefully. Measurements "From Unit" are from the top plate of the stove to a side wall or to a corner, and from the rear heat shield to a back wall.

Clearances may only be reduced by means approved by the regulatory authority.

NOTE: This clearance is also required for air space between the appliance and wall/ceiling.



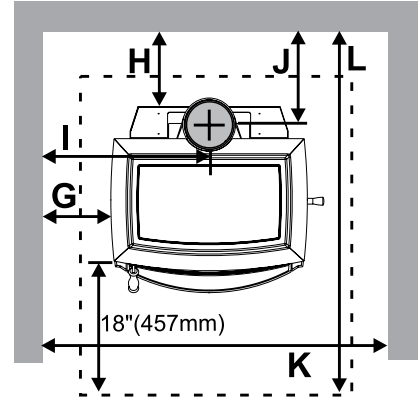
NOTE: Be aware that local Codes and Regulations may override some clearances listed in this manual. Check with your local inspector.						
Residential Installation "C" Vent (Single Wall)						
Unit (with Heat Shield)	From Unit		From Corner	From Flue Center-Line		
	A	B		D	E	F
H200	17" (432 mm)	15" (381 mm)	13" (330 mm)	29" (737 mm)	17-1/8"(435 mm)	19-7/8" (505mm)
Residential Close Clearance (To be installed with required pipe components)						
When the stove is installed as a close clearance residential unit, a listed double wall connector is required from the stove collar to the ceiling level.						
Unit (with Heat Shield)	From Unit		From Corner	From Flue Center-Line		
	A	B		D	E	F
H200	15" (381 mm)	10" (254 mm)	9" (229 mm)	27" (686 mm)	12-1/8" (308 mm)	15-7/8" (403mm)
Mobile Home Close Clearance (To be installed with required pipe components)						
"C" Vent single wall pipe is not approved for Mobile Home installations (refer to Mobile Home Instructions).						
Unit (with Heat Shield)	From Unit		From Corner	From Flue Center-Line		
	A	B		D	E	F
H200	15" (381mm)	10" (254 mm)	9" (229mm)	27" (686mm)	12-1/8" (308mm)	15-7/8" (403mm)

MINIMUM ALCOVE CLEARANCE TO COMBUSTIBLE MATERIALS

This Hampton Freestanding model has been alcove approved and must be installed with a listed double wall connector to the ceiling level.

Note: Minimum alcove ceiling height (from finished floor) - 60" (1525 mm)
Maximum depth of alcove - 48" (1219 mm)

NOTE: This clearance is also required for air space between the appliance and wall/ceiling.

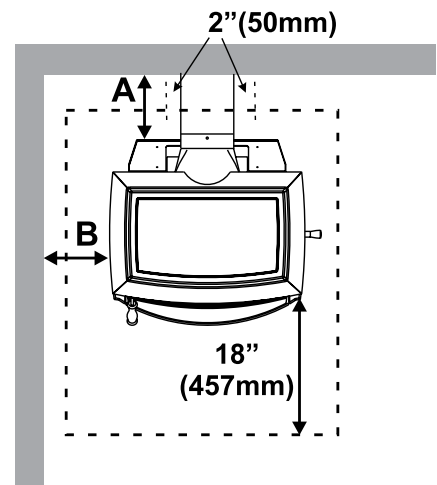


Unit (with Heat Shield)	From Unit		From Flue Center-line		Min. Width K	Min. Hearth to Rear Wall L
	G	H	I	J		
H200	15" (381 mm)	13" (330 mm)	27" (686 mm)	15-1/8" (384 mm)	54" (1372 mm)	50" (1270 mm)

ADDITIONAL CLEARANCES FOR BACKWALL EXIT

Minimum Clearance to Combustibles		
Unit (with Heat Shield)	From Unit	
	A	B
H200	9" (228 mm)	15" (381 mm)

Minimum Clearance to Non-Combustibles		
Unit (with Heat Shield)	From Unit	
	A	B
H200	min. 0" (0 mm) max. 9" (228 mm)	15" (381 mm)
Min. Mantel Height (from finished floor): 48" (1219 mm)		
Max. Mantel Depth: 12" (305 mm)		



Note: Floor Protection must extend 2" (51mm) to each side of the elbow.

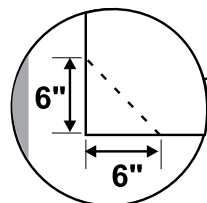
FLOOR PROTECTION

A combustible floor must be protected by non-combustible material (like tile, concrete board, or certified to UL-1618 or as defined by local codes) extending beneath the heater and a minimum of 6" from each side and minimum 16" from the front face of the stove and minimum 6" (or the rear clearance to combustibles whichever is smaller) from the rear of the stove.

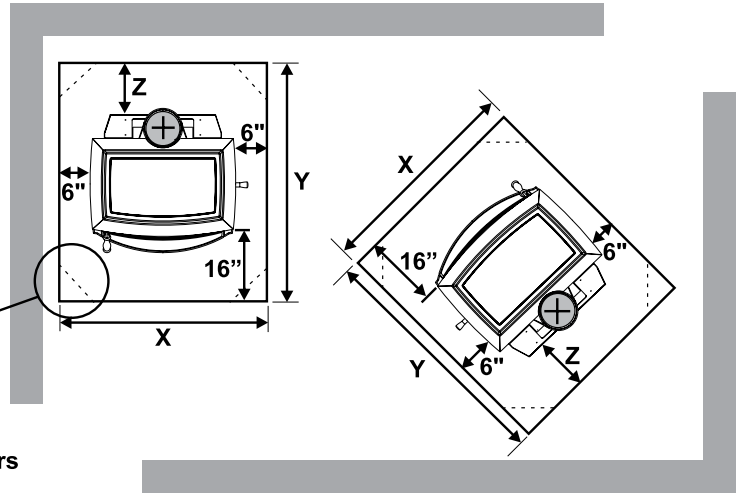
When installed with horizontal venting, non-combustible floor protection must be beneath the flue pipe and extend 2" (51mm) beyond each side.

A minimum of a 1/2" thick thermal floor protector with a 0.84k factor is required when installing the standard or optional short legs. This applies to both Canada and the US. All other requirements (ie. hearth size) remain the same.

NOTE: In Canada, floor protection must extend 18" (458mm) to the front and 8" (203mm) to each side and back of the stove.



for angled corners



Minimum Overall Depth (Y) of Floor Protector								
Unit	Residential "C" Vent		Residential Close Clearance		Mobile Home Close Clearance		Alcove	
	Y	Z	Y	Z	Y	Z	Y	Z
H200 (US)	43" (1092 mm)	6" (152 mm)	43" (1092 mm)	6" (152 mm)	43" (1092 mm)	6" (152 mm)	43" (1092 mm)	6" (152 mm)
H200 (Canada)	45" (1143 mm)	8" (203 mm)	45" (1143 mm)	8" (203 mm)	45" (1143 mm)	8" (203 mm)	45" (1143 mm)	8" (203 mm)

Minimum Overall Width (X) of Floor Protector for all installations:	
H200	36" (914 mm) - US 40" (1016 mm) - Canada

How To Determine If Alternate Floor Protection Materials Are Acceptable

The specified floor protector should be 3/8" (18mm) thick material with a K - factor of 0.84.

The proposed alternative is 4" (100mm) brick with a C-factor of 1.25 over 1/8" (3mm) mineral board with a K-factor of 0.29.

Step (a):

Use formula above to convert specification to R-value.
 $R = 1/k \times T = 1/0.84 \times .75 = 0.893.$

Step (b):

Calculate R of proposed system.
 4" brick of C = 1.25, therefore
 $R_{brick} = 1/C = 1/1.25 = 0.80$
 1/8" mineral board of k = 0.29, therefore
 $R_{min.bd.} = 1/0.29 \times 0.125 = 0.431$
 Total R = $R_{brick} + R_{mineral\ board} = 0.8 + 0.431 = 1.231.$

Step (c):

Compare proposed system R of 1.231 to specified R of 0.893. Since proposed system R is greater than required, the system is acceptable.

DEFINITIONS

Thermal Conductance:

$$C = \frac{Btu}{(hr)(ft^2)(^{\circ}F)} = \frac{W}{(m^2)(K)}$$

Thermal Conductivity:

$$k = \frac{(Btu)(inch)}{(hr)(ft^3)(^{\circ}F)} = \frac{W}{(m)(K)} = \frac{Btu}{(hr)(ft)(^{\circ}F)}$$

Thermal Resistance:

$$R = \frac{(ft^2)(hr)(^{\circ}F)}{Btu} = \frac{(m^2)(K)}{W}$$

STEP-BY-STEP CHIMNEY AND CONNECTOR INSTALLATION

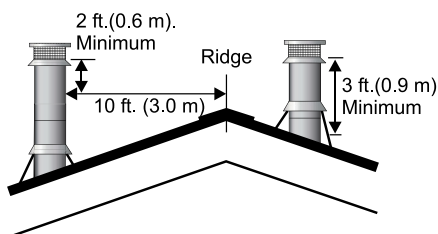
Note: These are a generic set of chimney installation instructions. Always follow the manufacturers own instructions explicitly (check the Minimum Recommended Flue Heights section).

1) With your location already established, cut

and frame the roof hole. It is recommended that no ceiling support member be cut for chimney and support box installation. If it is necessary to cut them, the members must be made structurally sound.

2) Install radiant shield and support from above.

3) Stack the insulated pipe onto your finish support to a minimum height of 3 feet above the roof penetration, or 2 feet above any point within 10 feet measured horizontally. There must be at least 3 feet of chimney above the roof level.



Note: Increasing the chimney height above this minimum level will sometimes help your unit to “breathe” better by allowing a greater draft to be created. This greater draft can decrease problems such as, difficult start-ups, back-smoking when door is open, and dirty glass. It might be sufficient to initially try with the minimum required height, and then if problems do arise add additional height at a later date.

4) Slide the roof flashing over your chimney and seal the flashing to the roof with roofing compound. Secure the flashing to your roof with nails or screws.

5) Place the storm collar over the flashing, sealing the joints with a silicone caulking.

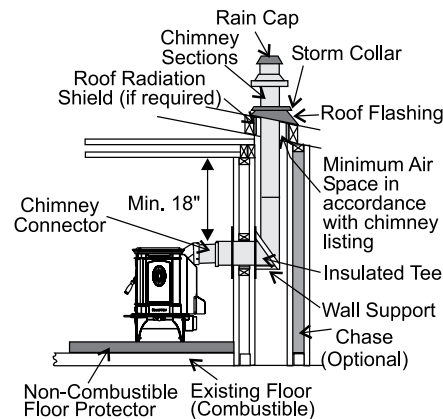
6) Fasten the raincap with spark screens (if required) to the top of your chimney.

7) For optimum efficiency when installing into a masonry chimney, size accordingly, i.e. the 6" (152mm) flue dia. is 28.28 sq.in.

8) To complete your chimney installation, install the double wall connector pipe from the stove's flue collar to the chimney support device.

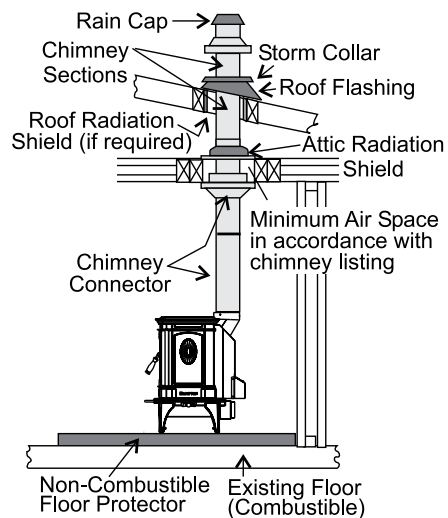
9) If you are using a horizontal connector, the chimney connector should be as high as possible while still maintaining the 18" (457mm) minimum distance from the horizontal connector to the ceiling.

10) NOTE: Residential Close Clearance and Alcove installations require a listed double wall connector from the stove collar to the ceiling level.



Horizontal Installation

The diagrams below illustrate one way to install your unit into a standard ceiling or with a horizontal connector. Check with your dealer or installer for information on other options available to you.



Standard Ceiling Installation

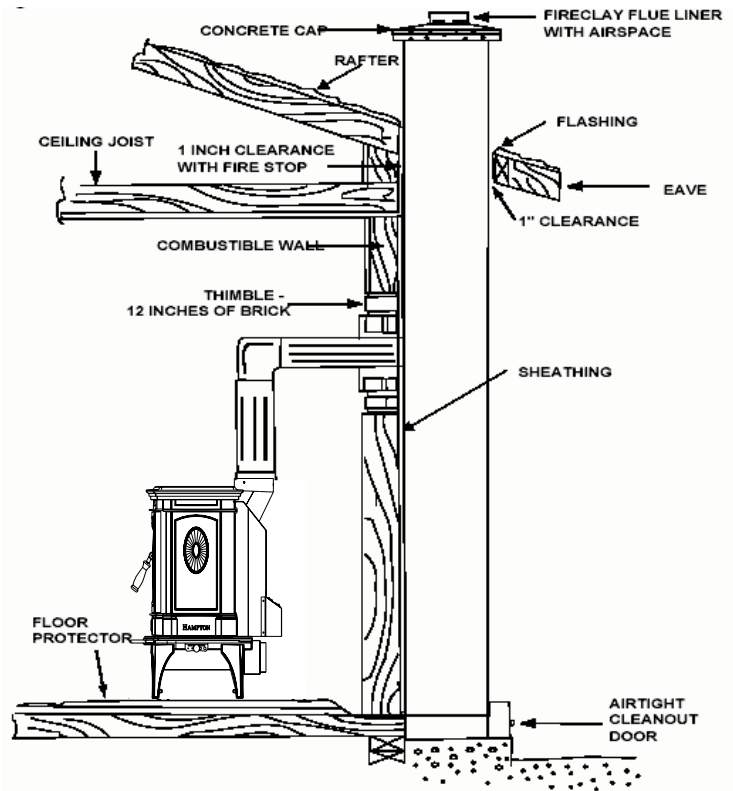
FACTORY BUILT CHIMNEY

When a metal prefabricated chimney is used, the manufacturer's installation instructions must be followed. You must also purchase and install the ceiling support package or wall pass-through and "T" section package, firestops (where needed), insulation shield, roof flashing, chimney cap, etc. Maintain proper clearance to the structure as recommended by the manufacturer. The chimney must be the required height above the roof or other obstructions for safety and proper draft operation.

MASONRY CHIMNEY

Ensure that a masonry chimney meets the minimum standards of the National Fire Protection Association (NFPA) by having it inspected by a professional. Make sure there are no cracks, loose mortar or other signs of deterioration and blockage. Have the chimney cleaned before the stove is installed and operated. When connecting the stove through a combustible wall to a masonry chimney, special methods are needed. Refer to page 13 for Combustible Wall Chimney Connector Pass-Throughs.

When referencing installation or connection to masonry fireplaces or chimneys, the masonry construction must or shall be code complying.

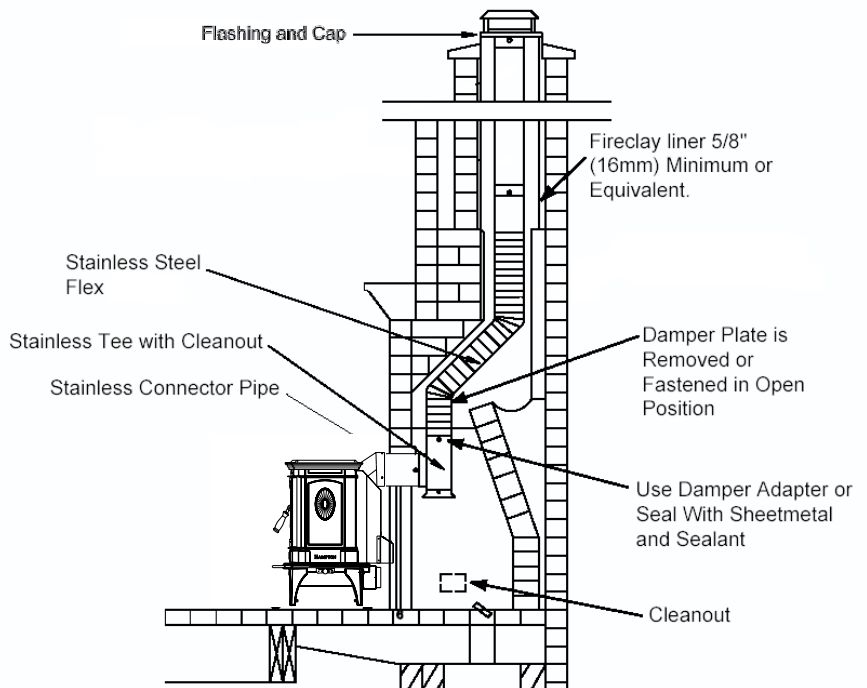


MASONRY FIREPLACE

There are listed kits available to connect a stove to a masonry fireplace. The kit is an adapter that is installed at the location of the fireplace damper. The existing damper may have to be removed to allow installation.

This unit is designed to use either 5.5" (140mm) or 6" (152mm) flue liner only within the confines of the masonry chimney as shown.

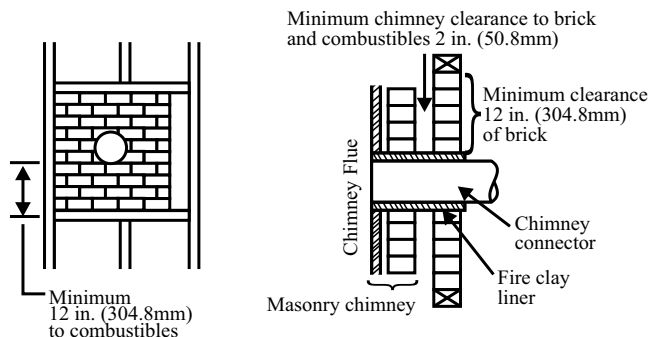
When referencing installation or connection to masonry fireplaces or chimneys, the masonry construction must or shall be code complying.



COMBUSTIBLE WALL CHIMNEY CONNECTOR PASS-THROUGHS

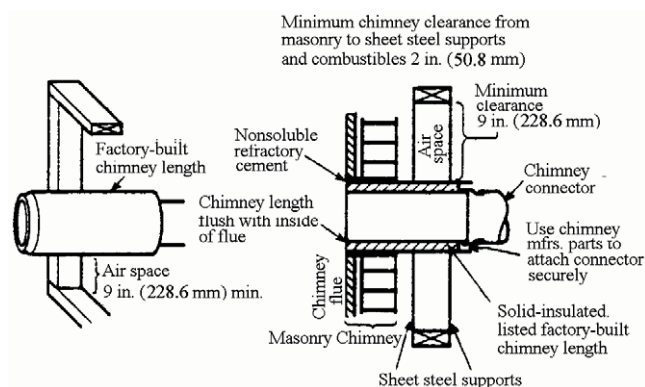
Method A: 12" (304.8 mm) Clearance to Combustible Wall Member:

Using a minimum thickness 3.5" (89 mm) brick and a 5/8" (15.9 mm) minimum wall thickness clay liner, construct a wall pass-through. The clay liner must conform to ASTM C315 (Standard Specification for Clay Fire Linings) or its equivalent. Keep a minimum of 12" (304.8 mm) of brick masonry between the clay liner and wall combustibles. The clay liner shall run from the brick masonry outer surface to the inner surface of the chimney flue liner but not past the inner surface. Firmly grout or cement the clay liner in place to the chimney flue liner.



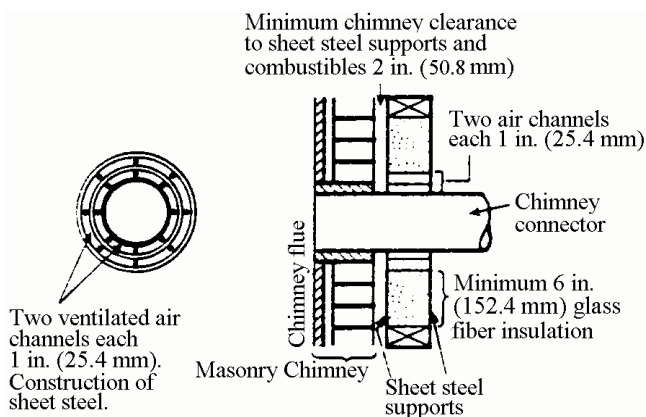
Method B: 9" (228.6 mm) Clearance to Combustible Wall Member:

Using a 6" (152.4 mm) inside diameter, listed, factory-built Solid-Pak chimney section with insulation of 1" (25.4 mm) or more, build a wall pass-through with a minimum 9" (228.6 mm) air space between the outer wall of the chimney length and wall combustibles. Use sheet metal supports fastened securely to wall surfaces on all sides, to maintain the 9" (228.6 mm) air space. When fastening supports to chimney length, do not penetrate the chimney liner (the inside wall of the Solid-Pak chimney). The inner end of the Solid-Pak chimney section shall be flush with the inside of the masonry chimney flue, and sealed with a non-water soluble refractory cement. Use this cement to also seal to the brick masonry penetration.



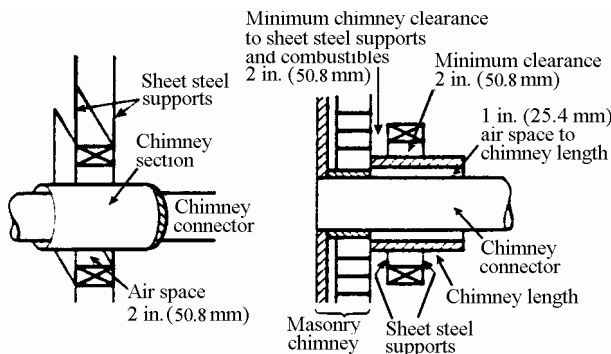
Method C: 6" (152.4 mm) Clearance to Combustible Wall Member:

Starting with a minimum 24 gage (.024" [.61 mm]) 6" (152.4 mm) metal chimney connector, and a minimum 24 gage ventilated wall thimble which has two air channels of 1" (25.4 mm) each, construct a wall pass-through. There shall be a minimum 6" (152.4 mm) separation area containing fiberglass insulation, from the outer surface of the wall thimble to wall combustibles. Support the wall thimble, and cover its opening with a 24-gage minimum sheet metal support. Maintain the 6" (152.4 mm) space. There should also be a support sized to fit and hold the metal chimney connector. See that the supports are fastened securely to wall surfaces on all sides. Make sure fasteners used to secure the metal chimney connector do not penetrate chimney flue liner.



Method D: 2" (50.8 mm) Clearance to Combustible Wall Member:

Start with a solid-pak listed factory built chimney section at least 12" (304 mm) long, with insulation of 1" (25.4 mm) or more, and an inside diameter of 8" (2 inches [51 mm] larger than the 6" [152.4 mm] chimney connector). Use this as a pass-through for a minimum 24-gage single wall steel chimney connector. Keep solid-pak section concentric and spaced 1" (25.4 mm) off the chimney connector by way of sheet metal support plates at both ends of chimney section. Cover opening with and support chimney section on both sides with 24 gage minimum sheet metal supports. See that the supports are fastened securely to wall surfaces on all sides. Make sure fasteners used to secure the metal chimney connector do not penetrate chimney flue liner.



RECOMMENDED HEIGHTS FOR WOODSTOVE FLUE

Simple rules on draft. See Table 1.

- 1) At sea level minimum height is 12' straight.
- 2) Add the following vertical height to compensate for:
 - 45 deg. elbow = 1 ft.
 - 90 deg. elbow = 2 ft.
 - "T" = 3 ft.
 - Each foot of horizontal run = 2 ft.
- 3) Add 4% overall for each 1000' above sea level.

Example: a)
 1-1/2 ft. of horizontal run = 3 ft.
 one "T" = 3 ft.
 Total Addition (at sea level) = 6 ft.

Example: b)
 One 90 deg. elbow = 2 ft.
 2 ft. of horizontal run = 4 ft.
 one "T" = 3 ft.
 Total Addition (at sea level) = 9 ft.

Elevation	Recommended Flue Height	
	Example a)	Example b)
0'	18'	21'
1000'	18.72'	21.84'
2000'	19.44'	22.68'
5000'	21.60'	25.20'
8000'	23.76'	27.72'

TABLE 1

MINIMUM RECOMMENDED FLUE HEIGHTS IN FEET (Measured from the top of the unit)							
ELEVATION (FT) ABOVE SEA LEVEL	# OF ELBOWS						
	0	2 x 15°	4 x 15°	2 x 30°	4 x 30°	2 x 45°	4 x 45°
0-1000	12.0	13.0	14.0	15.0	18.0	16.0	20.0
1000-2000	12.5	13.5	14.5	15.5	19.0	16.5	21.0
2000-3000	13.0	14.0	15.0	16.0	19.5	17.0	21.5
3000-4000	13.5	14.5	15.5	17.0	20.0	18.0	22.5
4000-5000	14.0	15.0	16.0	17.5	21.0	18.5	23.0
5000-6000	14.5	15.5	17.0	18.0	21.5	19.0	24.0
6000-7000	15.0	16.0	17.5	18.5	22.5	20.0	25.0
7000-8000	15.5	16.5	18.0	19.0	23.0	20.5	25.5
8000-9000	16.0	17.0	18.5	20.0	24.0	21.0	26.5
9000-10000	16.5	17.5	19.0	20.5	24.5	22.0	27.0

NOTE: No more than two offsets (four elbows) allowed. Two 45° elbows equal one 90° elbow.

Draft is the force which moves air from the appliance up through the chimney. The amount of draft in your chimney depends on the length of the chimney, local geography, nearby obstructions and other factors. Too much draft may cause excessive temperatures in the appliance and may cause damage. An uncontrollable burn or excessive temperature indicates excessive draft. Inadequate draft may cause back puffing into the room and plugging of the chimney. Inadequate draft will cause the appliance to leak smoke into the room through appliance and chimney connector joints. Ensure the heater is installed in areas that are not too close to neighbors or in valleys that would cause unhealthy air quality or nuisance conditions.

MOBILE HOME INSTALLATION

Once you have properly marked the position of your unit and the floor protection as outlined in the Residential Installation items #1 through #8, a supply of fresh air has to be supplied to your unit.

Place your unit in position and secure it to the floor using four lag bolts 1/4" through the four holes inside the legs. It is important to maintain the structural integrity of the Mobile Home floor, walls and roof when installing your unit.

For Mobile Home units installed in the U.S. the unit must be grounded using a #8 ground wire with approved termination and star washer.

CAUTION: At no time use unlabelled parts, or substitute parts made for another chimney system.

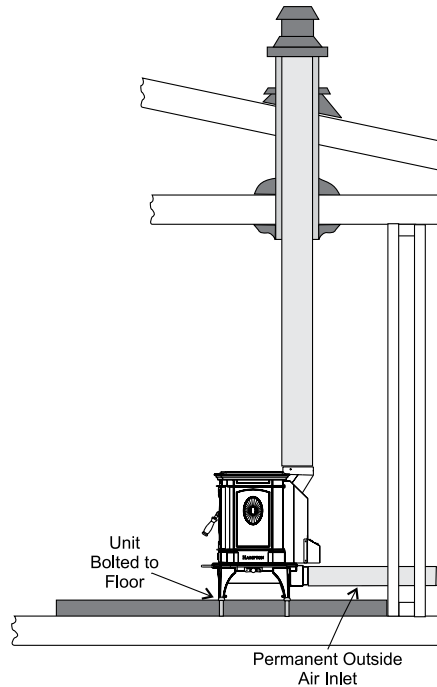
Install as per chimney manufacturer's installation instructions.

**IMPORTANT
DO NOT CONNECT TO OR USE IN CONJUNCTION WITH ANY AIR DISTRIBUTION DUCTWORK UNLESS SPECIFICALLY APPROVED FOR SUCH INSTALLATIONS.**

If desired, the air for combustion may be drawn directly from the outside of the house, as detailed below. It is not obligatory to do this, but it may help combustion in small or poorly ventilated house.

Connect a 4" (102 mm) diameter stainless steel, or other non-combustible corrosion resistant material, to the Outside Supply Air (O.S.A.) hook-up box. In order to do this the O.S.A hook-up box must be connected to the base using 1/2" (12 mm) hex head bolts.

Run the pipe (up to 54" (1372 mm) long) to the outside avoiding sharp bends and joints within cavity walls. Turn the end down and fit corrosion resistant mesh to prevent the entry of leaves and rodents. Seal the penetration of the outside wall with silicon.



WARNING: Do not obstruct free air supply to the air inlet duct located at the back of the stove.

NOTE: Listed factory built chimney connectors including elbows are acceptable for use in Mobile Home Installations.

In addition to standard installation instructions the following requirements are mandatory for installation in a mobile home.

- 1) The stove must be permanently bolted to the floor of the Mobile Home using the floor screws provided.
- 2) The stove must have a permanent outside air source for combustion.
- 3) The stove must be electrically grounded to the steel chassis of the Mobile Home.
- 4) A listed double-wall connector chimney system, roof thimble, spark arrestor and roof flashing kit suitable for use in Mobile Homes must be used.
- 5) If the chimney exits the Mobile Home at a location other than through the roof, and exits at a point 7ft. (2130mm) or less above the ground level on which the Mobile Home is positioned a guard or method of enclosing the chimney shall be fitted at the point of exit for a height up to 7ft. (2134mm).
- 6) The chimney shall be attached directly to the room heater and shall extend at least 3 ft. (914mm) above the part of the roof through which it passes. The top of the chimney should project at least 2ft. (610mm) above the highest elevation of any part of the Mobile Home within 10 ft. (3048mm) of the chimney.
- 7) The chimney system shall comply with Local Requirements.
- 8) Any openings in a chimney guard where required must not permit the entrance of 3/4" (19mm) diameter rod.
- 9) **CAUTION: THE STRUCTURAL INTEGRITY OF THE MOBILE HOME ROOF, FLOOR, WALLS AND CEILING MUST BE MAINTAINED.**
- 10) Check any other local building code as other local codes may apply.
- 11) **WARNING: DO NOT INSTALL IN A SLEEPING ROOM OF A MOBILE HOME.**
- 12) Use silicone to create an effective vapour barrier at the location where the chimney or other component penetrates to the exterior of the structure.

LISTED COMPONENTS FOR MOBILE HOME INSTALLATION

The Hampton H200 Cast Freestanding unit is approved for installation in a Mobile Home if one of the following pipe systems is used.

U.S. Installation*

METALBESTOS SSII

Qty. Part #	Description
1 6DS-VK	Connector Kit
1 6TMH	Shield/Support
1 6TAF-6	Flashing
1 6T-36	Chimney Length
1 6T-18	Chimney Length
1 6T-CT	Rain Cap

PRO-JET 3103

Qty. Part #	Description
1 PV06-TK	Connector
1 CSB	Shield/Support
1 RRS	Radiation Shield
1 LFR03	Flashing
1 SL3	Chimney Length
1 SL1	Chimney Length
1 RCSA	Rain Cap

SECURITY ASHT

Qty. Part #	Description
1 DL42A-6	Connector Kit
1 6SS	Shield/Support
1 6FAMH	Flashing
1 6L3	Chimney Length
1 6L1	Chimney Length
1 CPE	Rain Cap

SECURITY S2100

Qty. Part #	Description
1 DL42A-6	Connector Kit
1 6XSF	Support
1 6XFA	Flashing
1 6XL3	Chimney Length
1 6XL18	Chimney Length
1 6XCPE	Rain Cap

METAL-FAB TEMP/GUARD 2100

Qty. Part #	Description
1 6DWBK	Connector
1 6TGRS	Roof Support
1 6TGG36	Chimney Length
1 6TGG12	Chimney Length
1 6TGF	Flashing
1 6TGC	Rain Cap

AMERI-TECHS

Qty. Part #	Description
1 6DCC	Connector
1 6HSRS-12	Roof Support (6PLRS-12-BK)
1 6F	Flashing
1 6HS-36	Chimney Length
1 6HS-18	Chimney Length
1 6HS-RCS	Rain Cap (6PL-MPC)

SIMPSON DURA-PLUS

Qty. Part #	Description
1 6DVL8693	Connector Kit
1 6DP-MH9096	Mobile Home Kit

SIMPSON DURA-PLUS HTC

Qty. Part #	Description
1 C9013SS	48" Chimney length (also in 12", 18", 24" lengths).
1 C9084	Rain Cap
1 C9045	Round Ceiling Support
1 C9049	Flashing
1 8685	Close Clearance Connector

ICC EXCEL 2100

Qty. Part #	Description
1 6CL48	48" Chimney length (also in 12", 18", 24" lengths)
1 6RC	Rain Cap
1 6RCS	Spark Screen (for rain cap)
1 6RDS/SQS	Round/Square support box
1 6VF	Flashing
1 6UBA	"Ultrablack" Close Clearance Connector

Canadian Installations*

SECURITY S2100, SUPERVENT 2100

ICC EXCEL 2100, SUPERPRO 2100, CF SENTINAL

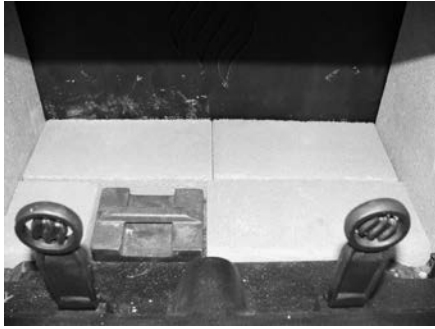
*The use of alternate pitch flashings, support box extensions, additional chimney lengths, and additional chimney bracing, may be used on each of the previously listed systems. These parts though must be from the same system as listed, and must be a similar and/or complimentary part.

CAUTION: At no time use unlabelled parts, or substitute parts made for another chimney system.

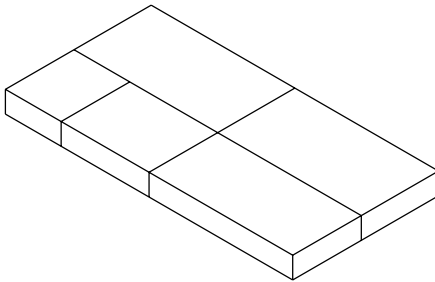
Install as per chimney manufacturer's installation instructions.

BRICK INSTALLATION

Firebrick is included to extend the life of your stove and to radiate heat more evenly. Check to see that all firebricks are in their correct positions and have not become misaligned during shipping.



Optional Ash Plug shown.



DOOR REMOVAL

- 1) Open door.
- 2) Push spring lever down while holding onto the door.
- 3) Pull door down and lift out to remove. Bottom of door lifts right out.



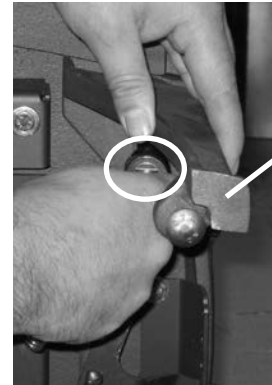
Spring Lever



Bottom part of door fits into slot.

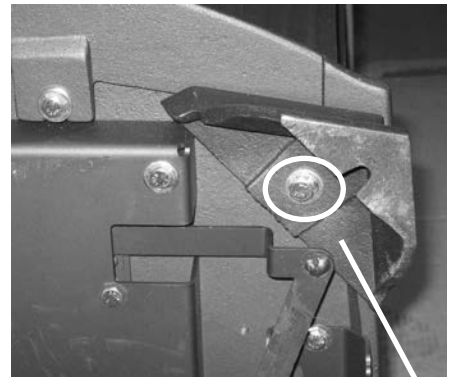
OPTIONAL SHORT LEG INSTALLATION

- 1) Remove the cast lid from the top of the stove.
- 2) Remove fan, if installed.
- 3) Carefully lay the unit on it's back on a soft surface to prevent scratching.
- 4) Remove the 4 standard legs by undoing the bolts.



Standard Leg

- 5) Secure the 4 short legs using the bolts removed from step 4.



Short Leg

- 6) Carefully bring stove to standing position.
- 7) Place cast lid back on top of stove.
- 8) Re-install fan, if removed.
- 9) Place decal 918-700 (included with cast legs) on the back of the stove near the serial number decal.

An optional blower is available for the Hampton H200. The blower is factory assembled, wired and ready for attachment to the stove.

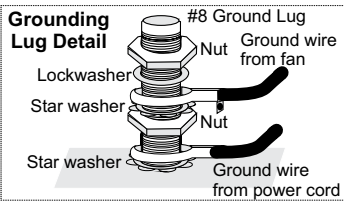
This unit must be connected to a grounded, standard 120 volts, 60 Hz electrical outlet. Never route the power cord under or in front of the unit.

Do not under any circumstances, cut or remove the grounding prong from the power cord. Do not use an adaptor plug.

NOTE: For more detailed information see instructions included with the Optional Blower.

CAUTION: Moving parts may cause injury. Do not operate unit with blower housing removed.

DANGER: Risk of electric shock. Disconnect power before servicing unit.

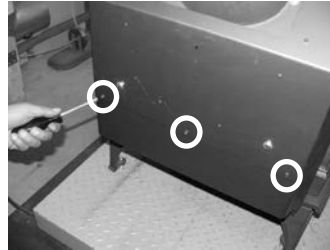


Wire98qr.eps

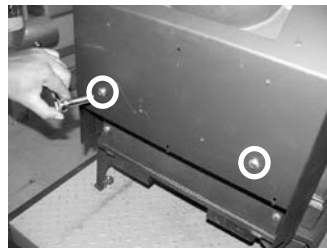
WARNING: Electrical Grounding Instructions
 This appliance is equipped with a three pronged (grounding) plug for your protection against shock hazard and should be plugged directly into a properly grounded three-prong receptacle. Do not cut or remove the grounding prong from this plug.

OPTIONAL BLOWER/FAN INSTALLATION

- 1) Remove fan cover plate from back shield by undoing 3 screws and discard plate.



- 2) Remove back shield by undoing 2 bolts.



- 3) Loosen the 2 bolts you see after removing back shield, one on each side of the stove.



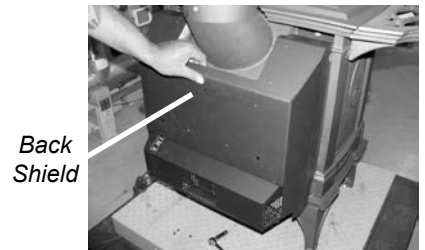
- 4) Hook fan over the bolts.



- 5) Tighten bolts to secure fan.

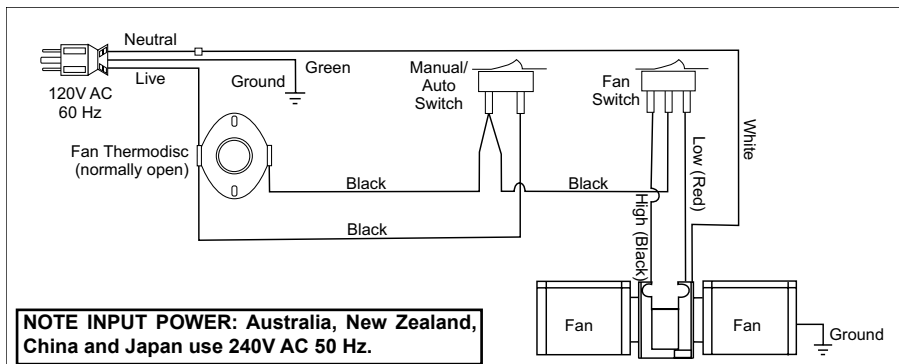


- 6) Re-install back shield.



- 7) Using the 3 screws from the fan cover plate, secure the fan assembly to the back shield.

- 8) Plug in power cord.



NOTE INPUT POWER: Australia, New Zealand, China and Japan use 240V AC 50 Hz.

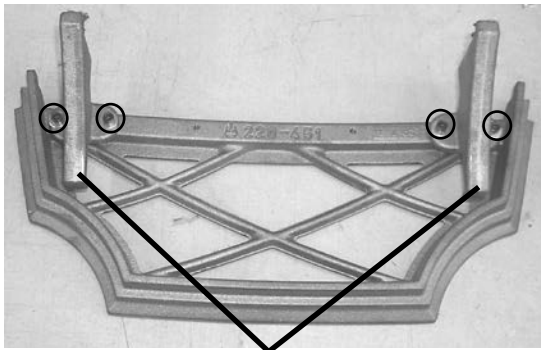
Blower/Fan Wiring Diagram

CAUTION: Label all wires prior to disconnection when servicing controls. Wiring errors can cause improper and dangerous operation.

OPTIONAL SIDE SHELF INSTALLATION

- 1) Secure 2 Support Gussets to each Side Shelf using 2 screws per gusset.

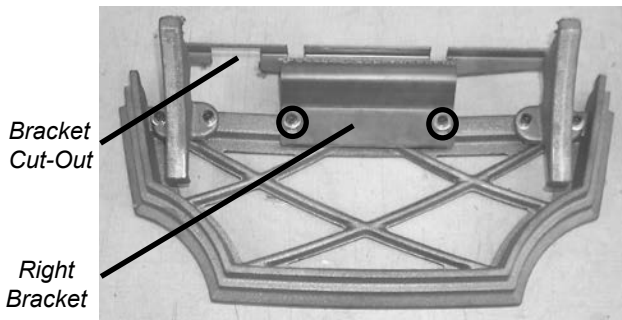
Underside of Side Shelf Shown.



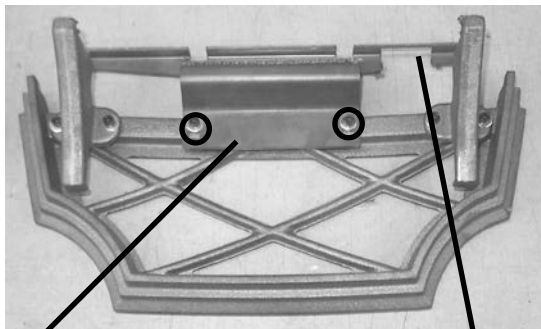
Support Gussets

- 2) Secure the Brackets to the middle of the Side Shelves using 2 screws and washers.

Underside of Right Hand Side Shelf Shown.



Underside of Left Hand Side Shelf Shown.



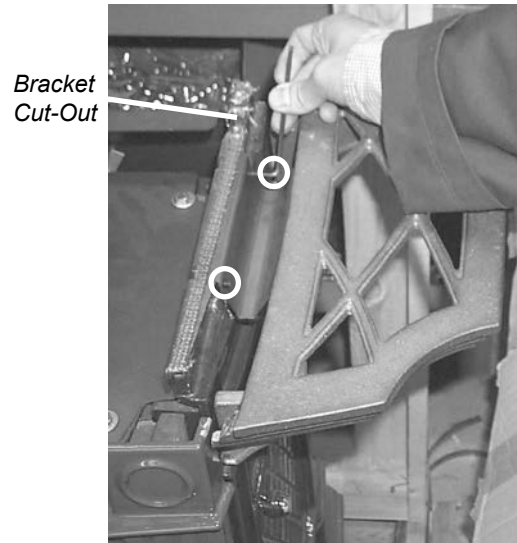
Left Bracket

Bracket Cut-Out

- 3) Remove stove top.

- 4) Mount side shelf to stove and secure in place using the allen key provided to secure the 2 set screws.

NOTE: Ensure that the Bracket cut-out is towards the back of the stove.



NOTE: When mounting the side shelf ensure that the gusset closest to the front of the stove is against the top of the Side Casting and **NOT** against the side of the Front Casting. This will help with alignment when the stove top is put back in place.

Gusset Side Casting Front Casting

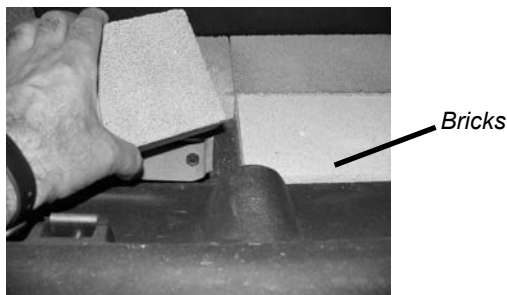
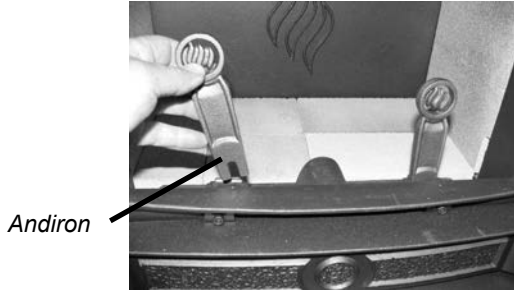
Left side of stove shown.

- 5) Place top back on stove.

OPTIONAL ASH DRAWER KIT INSTALLATION

NOTE: This option is only available with use of standard legs.

- 1) Remove the andirons and bricks from within the firebox.



- 2) Remove bottom tray by undoing the 4 bolts.



- 3) Remove the ash dump cover plates (one inside the firebox and one on the underside of the firebox) by removing the 2 nuts and bolts holding the 2 plates together from underneath the stove.



- 4) Re-install bottom tray and then install the 2 ash drawer rails to the bottom tray using 4 bolts.



- 5) Slide the ash drawer on top of the rails making sure the cover is in the open position.



*Ash Drawer
in open
position.*



- 6) Push the ash plug into the hole inside the firebox and re-install the bricks and andirons.



Ash Plug

SEASONED WOOD

Whether you burn wood in a fireplace, stove or insert, good quality firewood is the key to convenience, efficiency and safety. Wet wood and pieces that are not the right size and shape for your wood burner can be frustrating, burn inefficiently and deposit creosote that can fuel a dangerous chimney fire. Good planning, seasoning and storage of the firewood supply are essential to successful wood burning.

- Stack the wood in separate rows in an open location where the summer sun can warm it and breezes can carry away the moisture. Do not stack unseasoned wood tightly in an unvented storage area.
- Do not allow firewood to lie on the ground for more than a couple of days before stacking. Mould and rot can set in quickly.
- Stack the wood up off the ground on poles, lumber rails or pallets.
- The top of the pile can be covered to keep off rain, but do not cover the sides.

Softer woods like pine, spruce and poplar/aspen that is cut, split and stacked properly in the early spring maybe be ready for burning in the fall. Extremely hard woods like oak and maple, and large pieces of firewood, may take a minimum of a full year to dry enough. Drying may also take longer in damp climates

There are a few ways to tell if wood is dry enough to burn efficiently. Use as many indicators as possible to judge the dryness of the firewood your are considering. Here are ways to judge firewood moisture.

- Using a moisture meter, select the species of fuel and then penetrate the pins into a split piece. Ideal moisture and seasoned firewood should be less than 20% moisture content.
- Checks or cracks in the end grain can be an indication of dryness, but may not be a reliable indicator. Some wet wood has checks and some dry wood has no checks.
- The wood tends to darken from white or cream colour to grey or yellow as it dries.
- Two dry pieces banged together sound hollow; wet pieces sound solid and dull.
- Dry wood weighs much less than wet wood.
- Split a piece of wood. If the exposed surface feels damp, the wood is too wet to burn.

OPERATING INSTRUCTIONS

With your unit now correctly installed and safety inspected by your local authority, you are now ready to start a fire. Before establishing your first fire, it is important that you fully understand the operation of your draft control. See below, First Fire section, for details.

FAN OPERATION

Automatic

To operate the optional fan automatically, push the bottom switch on the side of the fan housing to "AUTO" and the top switch to either "HIGH" or "LOW" for fan speed.

This will allow the fan to turn on as the stove has come up to operating temperature. It will also shut the fan system off after the fire has gone out and the unit cooled to below a useful heat output range.

Manual

To manually operate the fan system push the bottom switch to "MAN" and the top switch to either "HIGH" or "LOW". This will bypass the sensing device and allow full control of the fan.

Switching from "AUTO" to "MAN" or "HIGH" or "LOW" may be done anytime.

FIRST FIRE

When your installation is completed and inspected you are ready for your first fire.

- 1) Open control fully.
- 2) Open firebox door and build a small fire using paper and dry kindling on the firebrick hearth. Secure door on the firebox and wait a few minutes for a good updraft in the flue to establish the fire. (Leaving the door slightly open will help your fire start more rapidly.)

CAUTION: Never leave unit unattended if door is left open. This procedure is for fire start-up only, as unit may overheat if door is left open for too long.

- 3) With the draft still in the fully open position add two or three seasoned logs to your fire. Form a trench in the ash bed to allow air to reach the rear of the firebox prior to closing the door.
- 4) After about 45 minutes, when your wood has begun to burn strongly, adjust your draft control down to keep the fire at a moderate level.

WARNING: Never build a roaring fire in a cold stove. Always warm your stove up slowly!

- 5) Once a bed of coals has been established on the firebrick hearth, you may adjust the draft control to a low setting to operate the unit at its most efficient mode.
- 6) During the first few fires, keep the combustion rate at a moderate level and avoid a large fire. Only after 5 or 6 such fires can you operate the stove at its maximum setting, and only after the metal has been warmed.
- 7) For the first few days, the stove will give off an odour from the paint. This is to be expected as the high temperature paint becomes seasoned. Windows and/or doors should be left open to provide adequate ventilation while this temporary condition exists. Burning the stove at a very high temperature the first few times may damage the paint. Burn fires at a moderate level the first few days.
- 8) Do not place anything on the stove top during the curing process. This may result in damage to your paint finish.
- 9) During the first few days it may be more difficult to start the fire. As you dry out your firebrick and your masonry flue, your draft will increase.
- 10) For those units installed at higher elevations or into sub-standard masonry fireplaces, drafting problems may occur. Consult an experienced dealer or mason on methods of increasing your draft.
- 11) Some cracking and popping noises may be experienced during the heating up process. These noises will be minimal when your unit reaches temperature.
- 12) Before opening your door to reload, open draft fully for approximately 10 to 15 seconds until fire has been re-established. This will minimize any smoking.

- 13) All fuel burning appliances consume oxygen during operation. It is important that you supply a source of fresh air to your unit while burning. A slightly opened window is sufficient for the purpose. If you also have a fireplace in your home, a downdraft may be created by your Hampton Stove causing a draft down your chimney. If this occurs, slightly open a window near your unit.

CAUTION: If the body of your unit, flue baffle or any part of the chimney connector starts to glow, you are overfiring. Stop loading fuel immediately and close the draft control until the glow has completely subsided.

- 14) Green or wet wood is not recommended for your unit. If you must add wet or green fuel, open the draft control fully until all moisture has been dispersed by the intense fire. Once all moisture has been removed, the draft control may be adjusted to maintain the fire.
- 15) If you have been burning your stove on a low draft, use caution when opening the door. After opening the damper, open the door a crack, and allow the fire to adjust before fully opening the door.
- 16) The controls of your unit or the air supply passages should not be altered to increase firing for any reason.
- 17) If you burn the unit too slowly or at too low a setting your unit will not be operating as efficiently as it can. An easy rule of thumb says that if your glass is clean, then your flue is clean and your exhaust is clean. Burn the stove hot enough to keep your glass clean and you won't need to clean your flue as often.



SAFETY GUIDELINES AND WARNINGS

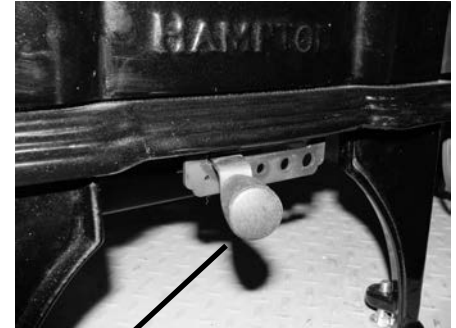
- 1) Never use gasoline, gasoline type lantern fuels, kerosene, charcoal lighter fuel, or similar liquids to start or 'freshen up' a fire in your heater. Keep all such liquids well away from the heater while it is in use.
- 2) Keep the door closed during operation and maintain all seals in good condition.
- 3) Do not burn any quantities of paper, garbage, and never burn flammable fluids such as gasoline, naphtha or engine oil in your stove.
- 4) If you have smoke detectors, prevent smoke spillage as this may set off a false alarm.
- 5) **Do not overfire heater.** Attempts to achieve heat output rates that exceed heater design specifications can result in permanent damage to the heater. If the chimney connector, flue baffle or the stove top begin to glow, you are overfiring. Stop adding fuel and close the draft control. Overfiring can cause extensive damage to your stove including warpage and premature steel corrosion. Overfiring will void your warranty.
- 6) Do not permit creosote or soot build-up in the chimney system. Check and clean chimney at regular intervals. Failure to do so can result in a serious chimney fire.
- 7) Your Hampton stove can be very hot. You may be seriously burned if you touch the stove while it is operating, keep children, clothing and furniture away. Warn children of the burn hazard.
- 8) The stove consumes air while operating, provide adequate ventilation with an air duct or open a window while the stove is in use.
- 9) Do not connect this unit to a chimney flue serving another appliance.
- 10) Do not use grates or andirons or other methods for supporting fuel. Burn directly on the bricks.
- 11) Open the draft control fully for 10 to 15 seconds prior to slowly opening the door when refuelling the fire.
- 12) Do not connect your unit to any air distribu-

tion duct.

- 13) Your woodstove should burn dry, standard firewood only. The use of cut lumber, plywood, "mill ends", etc. is not allowed as this fuel can easily overheat your woodstove. Evidence of excessive overheating will void your warranty. As well, a large portion of sawmill waste is chemically treated lumber, which is illegal to burn in many areas. Salt drift wood and chemically treated fire logs also must not be burned in your woodstoves.
- 14) Do not store any fuel closer than 2 feet from your unit. Do not place wood, paper, furniture, drapes or other combustibles near the appliance.
- 15) **WARNING: Do not operate without the Ash Plug properly seated.**
- 16) Do not operate with broken glass.

DRAFT CONTROL

Both the primary and air wash drafts are controlled by the control handle located on the right side of the unit (when facing the unit). To increase your draft - push lever to the back, and to decrease - pull lever to the front. All units have a secondary draft system that continually allows combustion air to the induction ports at the bottom of the firebox, just below the rear cover.



Front - Closed

Back - Open

WARNING: To build a fire with disregard to the information contained in this section can cause serious permanent damage to the unit and void your warranty.

ASH DISPOSAL

During constant use, ashes should be removed every few days. The Ash Drawer features a convenient ash drawer for easy removal of ashes.

Safety Precautions

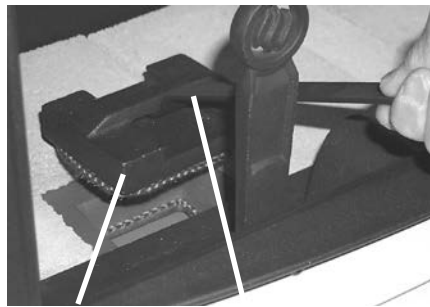
- 1) Do not allow ashes to build up to the loading doors! Only remove ashes when the fire has died down. Even then, expect to find a few hot embers.
- 2) Please take care to prevent the build-up of ash around the start-up air housing located inside the stove box, near the pilot.
- 3) Never start a fire if the ash plug and ash drawer are not in place. This will cause overfiring which can cause excessive warping of the stove. Evidence of overfiring can void the warranty on your stove.
- 4) The firebricks are brittle and can be damaged if the plug is replaced carelessly or pieces that are too large are forced through the hole.

Optional Ash Drawer Operating Guideline

- 1) Only clean ashes out of the stove when the unit has cooled down. Remove the plug by lifting on the handle using the tool provided. The plug may still be warm, use caution. Push the ashes down the hole into the ash drawer, the large pieces can be left in the firebox and burned during the next fire or removed through the door opening.



Ash Plug Tool

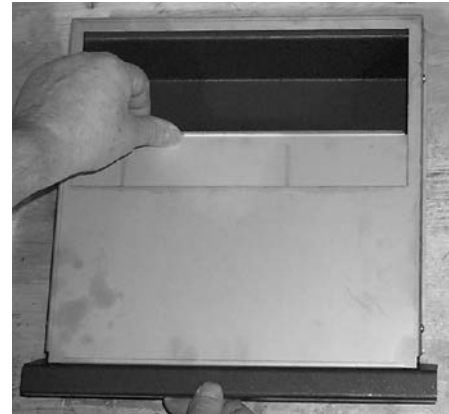


Ash Plug Ash Plug Tool

- 2) Always leave 1/2 to 1 inch of ash in the bottom of the firebox. This helps in easier starting and a more uniform burn of your fire.
- 3) To remove the drawer, slide it out. When the drawer is completely out, slide the cover plate over the ash drawer and carry away.



Pull out Ash Drawer



Slide cover plate over Ash Drawer.

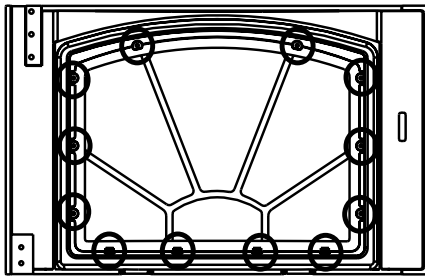
- 4) When emptying the ash drawer, make sure the ashes have **cooled down completely**. Ashes should be placed in a metal container with a tight fitting lid. The closed container of ashes should be placed on a non-combustible floor or on the ground, well away from all combustible materials, pending final disposal. If the ashes are disposed of by burial in soil or otherwise locally dispersed, they should be retained in the closed container until all cinders have thoroughly cooled. Other waste should not be placed in the ash container.
- 5) Before putting the ash drawer back in, ensure that the ash plug is back in place.

MAINTENANCE

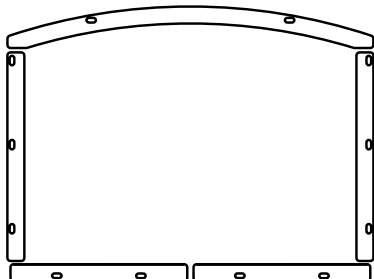
It is very important to carefully maintain your stove, including burning seasoned wood and maintaining a clean stove and chimney system. Have the chimney cleaned before the burning season and as necessary during the season, as creosote deposits may build up rapidly. Moving parts of your stove require no lubrication.

GLASS INSTALLATION/RE-PLACEMENT

- 1) Remove door from unit.
- 2) To replace the glass remove the 12 screws highlighted in the diagram below.
- 3) Lift off the glass retainer and carefully remove glass.
- 4) Place new glass in the door, make sure that the glass gasketing will properly seal your unit.
- 5) Position the glass retainer back on. Ensure that it rests on the gasket and not the glass.
- 6) Secure glass retainer using the 12 screws. Do not wrench down on the glass as this may cause the glass to break.
- 7) Place door back on unit.



Remove 12 screws.



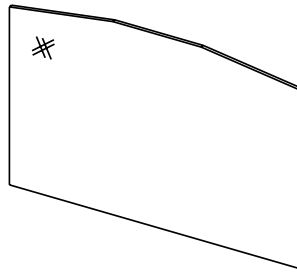
Glass Retainer

GLASS MAINTENANCE

Your Hampton stove is supplied with 5 mm Neoceram ceramic glass (Part #940-345) that will withstand the highest heat that your unit will produce. In the event that you break your glass by impact, purchase your replacement from an authorized Hampton dealer only, and follow our step-by-step Glass Installation/Replacement instructions (refer to previous section).

It will be necessary to clean carbon and fly ash off of the glass at times. If carbon and fly ash remain on the glass for an extended period of time, the glass could eventually become etched and cloudy.

- 1) Allow the stove to cool down completely before cleaning the glass, do not clean the glass when it is hot.
- 2) Use cleaners specifically designed for this glass cleaning. Do not use abrasive cleaners.
- 3) Ensure the glass is dry before burning your stove.



CREOSOTE

When wood is burned slowly, it produces tar and other organic vapours, which when combined with moisture, form creosote. The creosote vapours condense in the relatively cool chimney flue of a slow burning fire. As a result, creosote residue accumulates on the flue lining. When ignited, this creosote can result in an extremely hot fire.

WARNING: Things to remember in case of a chimney fire:

1. Close all draft and damper controls.
2. CALL THE FIRE DEPARTMENT.

Ways to Prevent and Keep Unit Free of Creosote

- 1) Burn stove with the draft control wide open for about 10-15 minutes every morning during burning season.
- 2) Burn stove with draft control wide open for about 10 - 15 minutes every time you apply fresh wood. This allows the wood to achieve the charcoal stage faster and burns up any unburned gas vapours which might otherwise be deposited within the system.
- 3) **Only burn seasoned wood!** Avoid burning wet or green wood. Seasoned wood has been dried at least one year.
- 4) A small hot fire is preferable to a large smouldering one that can deposit creosote within the system.
- 5) The chimney and chimney connector should be inspected at least once every two months during the heating season to determine if a creosote buildup has occurred.
- 6) **Have chimney system and unit cleaned by competent chimney sweeps twice a year during the first year of use and at least once a year thereafter or when a significant layer of creosote has accumulated (3mm/1/8" or more) it should be removed to reduce the risk of a chimney fire.**

WOOD STORAGE

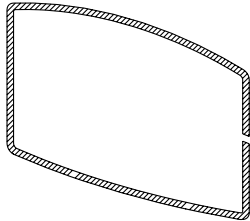
Store wood under cover, such as in a shed, or covered with a tarp, plastic, tar paper, sheets of scrap plywood, etc., as uncovered wood can absorb water from rain or snow, delaying the seasoning process.



Cleaning & Maintaining Your Wood Stove

FRONT DOOR GASKET

If the front door gasket requires replacement 5/8" diameter material must be used. Hampton uses a 5/8" diameter gasket (Part# 846-530). A proper high temperature gasket adhesive is required. See your Hampton Dealer.



Front Door Handle Shown

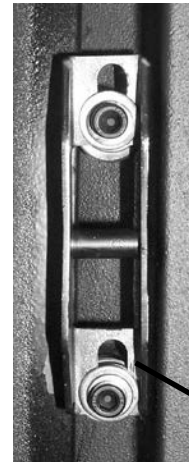


Secure using 7/16" socket wrench.

If position of bracketry needs to be changed after adjustment:

The bracketry should start from the highest point, as seen below. If needed, bring the bracketry down 1/16" each time, until finding the best locking position. The door latch will catch best in this way.

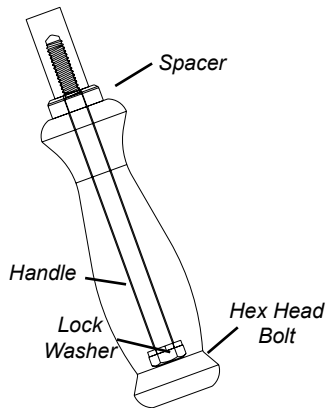
(Listen for a double click sound when the door is locked).



HANDLE REPLACEMENT

- 1) Remove handle (front or side) by undoing the hex head bolt using a 7/16" socket wrench.
- 2) Fit new door handle over latch and secure.

Assembly shown below.

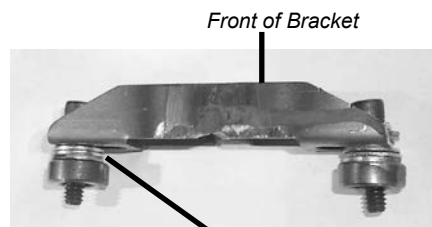


LATCH ADJUSTMENT METHOD

The door bracketry may require adjustment as the door gasket material compresses after a few fires. Removal of the spacer washer will allow the latch to be moved closer to the door frame, causing a tighter seal.

Relocate the washer removed from the back of the bracket to the front. This will allow the same screw to be used.

Use the 3/16" allen key enclosed in the packaged manual to make this adjustment.



Remove spacer washers behind screws.



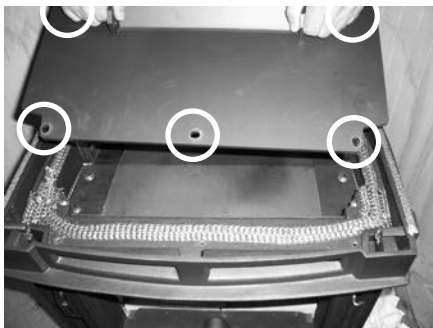
Allen Key

TOP BAFFLE REPLACEMENT

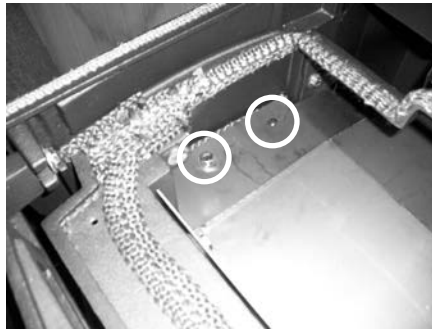
- 1) Lift the Top Hob off the top of the stove.



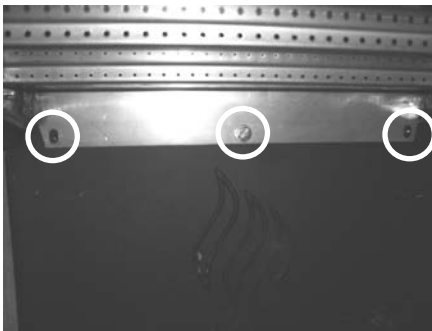
- 2) Remove the five (7/16) socket 1/4 x 1" hex bolts from the Firebox Top Assembly and lift off.



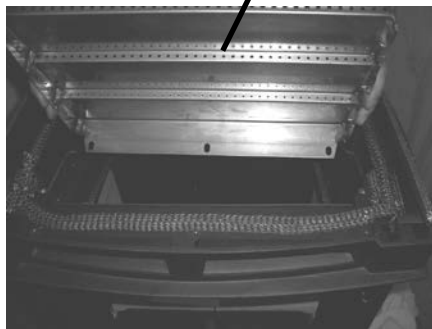
- 3) Remove the left and right baffle caps by removing the 2 bolts (7/16) socket 1/4-20 x 1/2" hex head on each side and lift out.



- 4) Remove the three (7/16) socket 1/4-20 x 1/2" stainless steel hex bolts inside the firebox holding the top baffle assembly and remove.



Top Baffle Removed

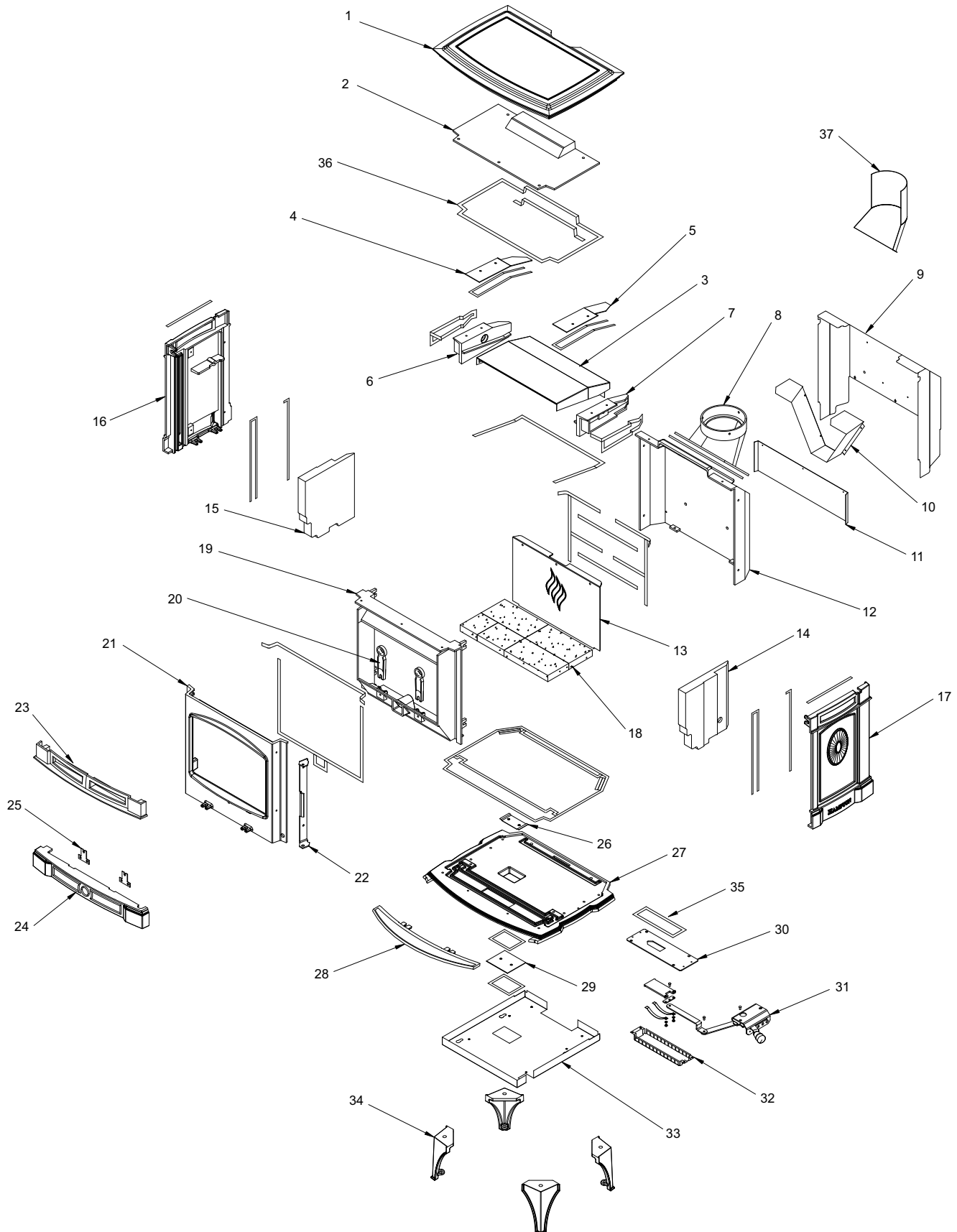


- 5) Replace the Top Baffle
- 6) Reverse steps 4 to 1.

Annual Maintenance	
Completely clean out entire unit	Annually
Inspect air tubes, baffles and bricks	Replace any damaged parts.
Adjust door catch / latch	If unable to obtain a tight seal on the door - replace door gasket seal. Readjust latch after new gasket installed.
Inspect condition and seal of: Glass Gasket Door Gasket	Perform paper test - replace gasket if required
Paper Test	Test the seal on the loading door with a paper bill. Place a paper bill in the gasketed area of the door on a cold stove—close the door. Try to remove the paper by pulling. The paper should not pull out easily, if it does, try adjusting the door latch, if that doesn't solve the problem replace the door gasket.
Check and lubricate door hinge + latch	Use only high temperature anti seize lube. (ie. never seize)
Check glass for cracks	Replace if required.
Clean blower motor	Disconnect power supply. Remove and clean blower. *DO NOT LUBRICATE*
Inspect and clean chimney	Annual professional chimney cleaning recommended.

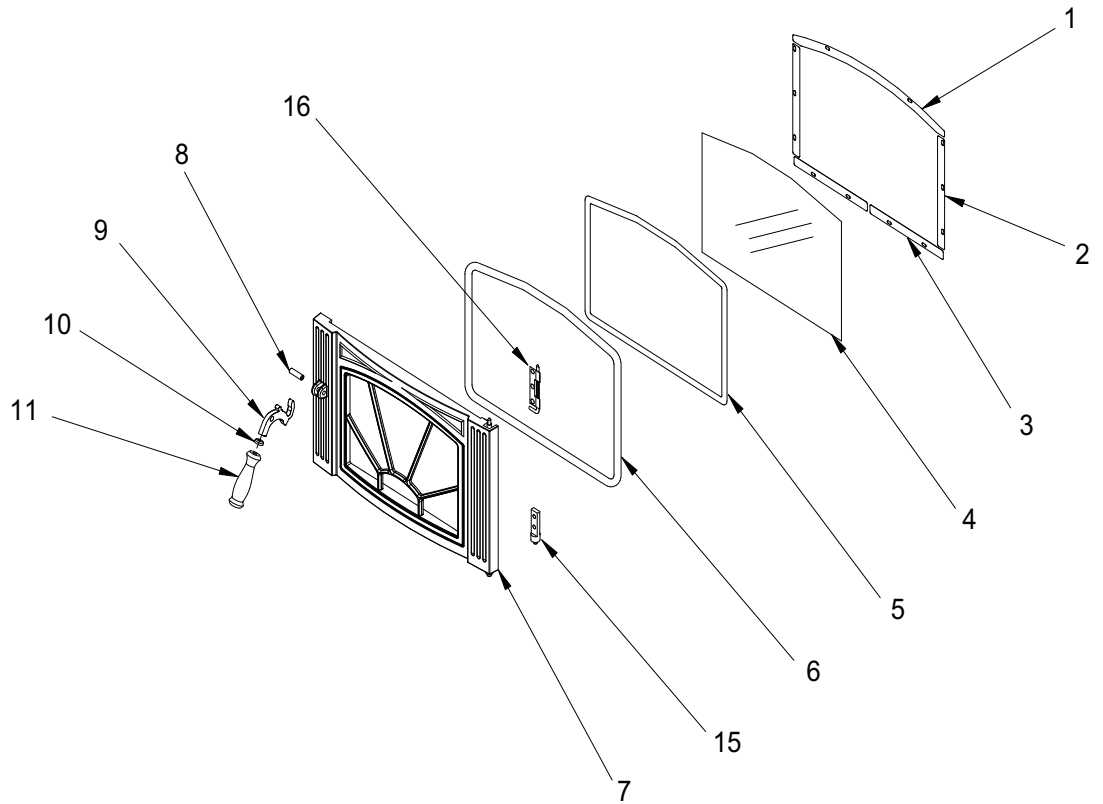
H200 MAIN ASSEMBLY

PART #	DESCRIPTION	PART#	DESCRIPTION
1) 200-301	TOP CHARCOAL GREY	26) 820-376	RETAINER PLATE
200-305	TOP TIMBERLINE BROWN	27) 200-391	BASE CHARCOAL GREY
2) 200-522	FIREBOX TOP ASSEMBLY	200-395	BASE TIMBERLINE BROWN
3) 200-514	BAFFLE ASSEMBLY	28) 200-401	ASH LIP CHARCOAL GREY
4) 200-203	BAFFLE CAP LEFT	200-405	ASH LIP TIMBERLINE BROWN
5) 200-204	BAFFLE CAP RIGHT	29) 820-375F	ASH HOLE COVER PLATE
6) 200-140	LH BAFFLE RETENTION	30) 200-206F	PRIMARY AIR PROFILE PLATE
7) 200-150	RH BAFFLE RETENTION	31) 200-518	DRAFT LEVER CONTROL ASSEMBLY
8) 220-431	45 DEGREE EXHAUST	32) 200-205	PRIMARY AIR SLIDE GUIDE
9) 200-224	BACK SHIELD	33) 200-211	SUB BASE
10) 200-225	AIR DEFLECTOR	34) 200-411	LEG CHARCOAL GREY
11) 200-230	FAN OPENING COVER	200-415	LEG TIMBERLINE BROWN
12) 200-000	MAIN BACK	35) 936-236	1/2" GRAPHITE GASKET
13) 200-130	FIREBOX BACK	36) 936-299	GASKET (3/8" WIDE X 3/16" THICK)
14) 902-580	VERMICULITE RIGHT	37) 220-538	REAR HEAT SHIELD
15) 902-579	VERMICULITE LEFT		
16) 200-351	LH SIDE CHARCOAL GREY		
200-355	LH SIDE TIMBERLINE BROWN		
17) 200-341	RH SIDE CHARCOAL GREY		
200-345	RH SIDE TIMBERLINE BROWN		
18) 200-960	BRICK SET		
19) 200-110	FIREBOX FRONT		
20) 200-160	ANDIRON (X2)		
21) 200-120	FIREBOX INNER		
22) 200-217	BRACKET HINGE		
23) 200-361	FRONT VENTS CHARCOAL GREY		
200-365	FRONT VENTS TIMBERLINE BROWN		
24) 200-381	FRONT SKIRT CHARCOAL GREY		
200-385	FRONT SKIRT TIMBERLINE BROWN		
25) 220-042	SKIRT BRACKET (X2)		



H200 DOOR ASSEMBLY

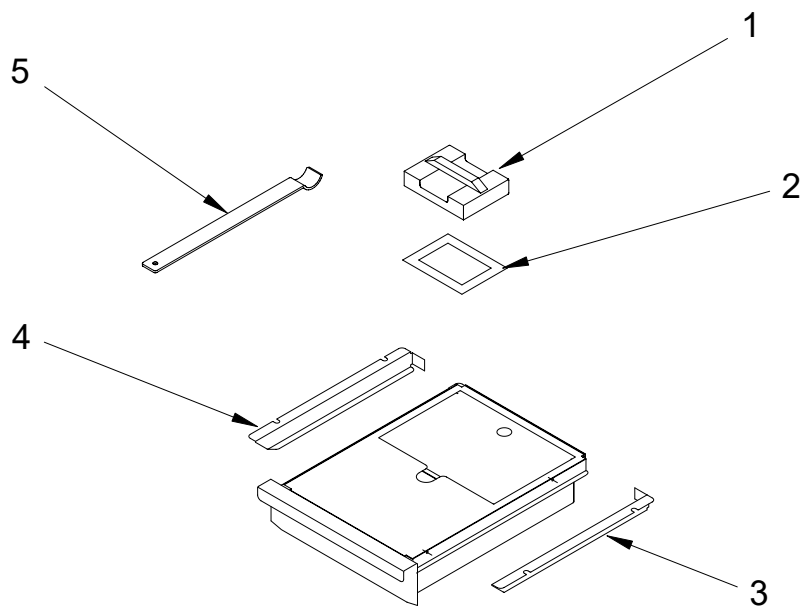
PART#	DESCRIPTION
1) 200-218F	GLASS RETENTION TOP
2) 200-219F	GLASS RETENTION SIDE (x2)
3) 200-220F	GLASS RETENTION BOTTOM (x2)
4) 940-345/P	GLASS 5mm NEOCERAM
5) 936-243	GLASS GASKET
6) 936-232	5/8" GRAPHITE DOOR GASKET
7) 200-371	DOOR CHARCOAL GREY
200-375	DOOR TIMBERLINE BROWN
220-546	DOOR HANDLE ASSEMBLY
8) 948-158	SLOTTED SPRING TENSION PIN
9) 220-089N	DOOR LATCH
10) 220-046N	SPACER
11) 948-178	BROWN VARNISH WOODEN HANDLE (TIMBERLINE BROWN UNITS)
948-179	BLACK VARNISH WOODEN HANDLE (CHARCOAL UNITS)
15) 948-155	HINGE PIN
16) 948-163	CANE BOLT LATCH (LH)



H200 ASH DRAWER ASSEMBLY

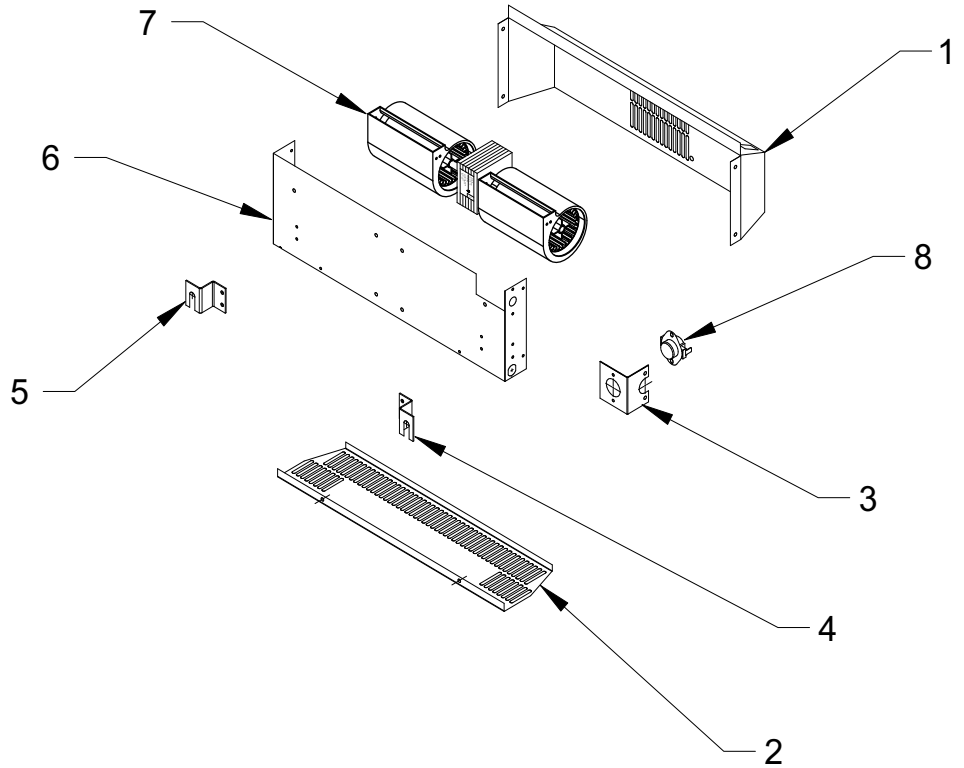
PART# DESCRIPTION

- 200-911 ASH DRAWER PACKAGE
- 1) 942-110 ASH PLUG
- 2) 936-236 1/2" ROPE GASKET
- 3) 200-232 ASH DRAWER GUIDE RIGHT
- 4) 200-231 ASH DRAWER GUIDE LEFT
- 5) 820-249 ASH PLUG TOOL HANDLE



H200 FAN ASSEMBLY

PART#	DESCRIPTION
200-917	FAN ASSEMBLY PACKAGE
1) 220-026	FAN HOUSING FRONT
2) 220-022	FAN HOUSING BOTTOM
3) 220-036	SENSOR MOUNT
4) 200-227	FAN BRACKET RIGHT HAND
5) 200-228	FAN BRACKET LEFT HAND
6) 200-229	FAN HOUSING BACK
7) 910-157/P	FAN
8) 910-142	THERMODISC
N/S 910-138	MANUAL/AUTO FAN SWITCH
N/S 910-140	HI/OFF/LOW FAN SWITCH



Limited Lifetime Warranty

FPI Fireplace Products International Ltd. (for Canadian customers) and Fireplace Products U.S., Inc. (for U.S. customers) (collectively referred to herein as “FPI”) extends this Limited Lifetime Warranty to the original purchaser of this appliance provided the product remains in the original place of installation. The items covered by this limited warranty and the period of such coverage is set forth in the table below.

Some conditions apply (see below).

The policy is not transferable, amendable or negotiable under any circumstances.

Wood Products	Component Coverage					Labor Coverage
	Lifetime	5 years	2 years	1 year	Warranty	(Years)
Welded Firebox Steel	✓					5
All Stainless Steel Components, Smoke Deflectors, Heat Shields etc.	✓					3
Air Tubes	✓					3
Airmate	✓					3
Door handle and latch assembly, all hardware	✓					3
Glass Thermal Breakage Only	✓					3
Steel Faceplates, Accessory Housings	✓					3
All Plating	✓					3
Ash Drawer, Heatshields, Pedestal	✓					
All Baffles, Steel, Ceramic, Vermiculite	✓					
All castings, firebox, surrounds, doors, panels etc.		✓				3
All Electrical, Blower, wiring, switches etc.			✓			2
Glass - Crazing				✓		1
Catalyst Assembly					6 Years Prorated	3
Venting/Chimney				✓		1
Screens				✓		1

Conditions:

Warranty protects against defect in manufacture or FPI factory assembled components only, unless herein specified otherwise.

Any part(s) found to be defective during the warranty period as outlined above will be repaired or replaced at FPI’s option through an accredited distributor, dealer or pre-approved and assigned agent provided that the defective part is returned to the distributor, dealer or agent for inspection if requested by FPI. Alternatively, FPI may at its own discretion fully discharge all of its obligations under the warranty by refunding the verified purchase price of the product to the original purchaser. The purchase price must be confirmed by the original Bill of Sale.

The authorized selling dealer, or an alternative authorized FPI dealer if pre-approved by FPI, is responsible for all in-field diagnosis and service work related to all warranty claims. FPI is not responsible for results or costs of workmanship of unauthorized FPI dealers or agents in the negligence of their service work.

At all times FPI reserves the right to inspect reported complaints on location in the field claimed to be defective prior to processing or authorizing of any claim. Failure to allow this upon request will void the warranty.

All warranty claims must be submitted by the dealer servicing the claim, including a copy of the Bill of Sale (proof of purchase by you). All claims must be complete and provide full details as requested by FPI to receive consideration for evaluation. Incomplete claims may be rejected.

Replacement units are limited to one per warranty term. Airtube and baffle replacements are limited to one replacement per term.

Unit must be installed according to all manufacturers' instructions as per the manual.

All Local and National required codes must be met.

The installer is responsible to ensure the unit is operating as designed at the time of installation.

The original purchaser is responsible for annual maintenance of the unit, as outlined in the owner's manual. As outlined below, the warranty may be voided due to problems caused by lack of maintenance.

Repair/replacement parts purchased by the consumer from FPI after the original coverage has expired on the unit will carry a 90 day warranty, valid with a receipt only. Any item shown to be defective will be repaired or replaced at our discretion. No labor coverage is included with these parts

Exclusions:

This Limited Lifetime Warranty does not extend to paint, rust or corrosion of any kind due to a lack of maintenance or improper venting, combustion air provision, corrosive chemicals (i.e. chlorine, salt, air, etc.), firebrick (rear, sides or bottom), door or glass gasketing, or any other additional factory fitted gasketing.

Malfunction, damage or performance based issues as a result of environmental conditions, location, chemical damages, downdrafts, installation error, installation by an unqualified installer, incorrect chimney components (including but not limited to cap size or type), operator error, abuse, misuse, use of improper fuels (such as unseasoned cordwood, mill-ends, construction lumber or debris, off-cuts, treated or painted lumber, metal or foil, plastics, garbage, solvents, cardboard, coal or coal products, oil based products, waxed cartons, compressed pre-manufactured logs), lack of regular maintenance and upkeep, acts of God, weather related problems from hurricanes, tornados, earthquakes, floods, lightning strikes/bolts or acts of terrorism or war, which result in malfunction of the appliance are not covered under the terms of this Limited Lifetime Warranty.

FPI has no obligation to enhance or modify any unit once manufactured (i.e. as products evolve, field modifications or upgrades will not be performed on existing appliances).

This warranty does not cover dealer travel costs for diagnostic or service work. All labor rates paid to authorized dealers are subsidized, pre-determined rates. Dealers may charge homeowner for travel and additional time beyond their subsidy.

Any unit showing signs of neglect or misuse will not be covered under the terms of this warranty policy and may void this warranty. This includes units with rusted or corroded fireboxes which have not been reported as rusted or corroded within three (3) months of installation/purchase.

Units which show evidence of being operated while damaged, or with problems known to the purchaser and causing further damages will void this warranty.

Units where the serial no. has been altered, deleted, removed or made illegible will void this warranty.

Minor movement, expansion and contraction of the steel is normal and is not covered under the terms of this warranty.

Freight damages for products or parts are not covered under the terms of the warranty.

Products made or provided by other manufacturers and used in conjunction with the FPI appliance without prior authorization from FPI may void this warranty.

Limitations of Liability:

The original purchaser's exclusive remedy under this warranty, and FPI's sole obligation under this warranty, express or implied, in contract or in tort, shall be limited to replacement, repair, or refund, as outlined above. IN NO EVENT WILL FPI BE LIABLE UNDER THIS WARRANTY FOR ANY INCIDENTAL OR CONSEQUENTIAL COMMERCIAL DAMAGES OR DAMAGES TO PROPERTY. TO THE EXTENT PERMITTED BY APPLICABLE LAW, FPI MAKES NO EXPRESS WARRANTIES OTHER THAN THE WARRANTY SPECIFIED HEREIN. THE DURATION OF ANY IMPLIED WARRANTY IS LIMITED TO DURATION OF THE EXPRESSED WARRANTY SPECIFIED ABOVE. IF IMPLIED WARRANTIES CANNOT BE DISCLAIMED, THEN SUCH WARRANTIES ARE LIMITED IN DURATION TO THE DURATION OF THIS WARRANTY.

Some U.S. states do not allow limitations on how long an implied warranty lasts, or allow exclusion or limitation of incidental or consequential damages, so the above limitations or exclusions may not apply to you.

Customers located outside the U.S. should consult their local, provincial or national legal codes for additional terms which may be applicable to this warranty.

How to Obtain Warranty Service:

Customers should contact the authorized selling dealer to obtain warranty service. In the event the authorized selling dealer is unable to provide warranty service, please contact FPI by mail at the address listed below. Please include a brief description of the problem and your address, email and telephone contact information. A representative will contact you to make arrangements for an inspection and/or warranty service.

Canadian Warrantor:

FPI Fireplace Products International Ltd.
6988 Venture St.
Delta, British Columbia
Canada, V4G 1H4

U.S. Warrantor:

Fireplace Products U.S., Inc.
PO Box 2189 PMB 125
Blaine, WA
United States, 98231

Or contact the Regency Customer Care Centre at 1-800-442-7432 (phone) / 604-946-4349 (fax)

Product Registration and Customer Support:

Thank you for choosing a Regency Fireplace. Regency strives to be a world leader in the design, manufacture, and marketing of hearth products. To provide the best support for your product, we request that you complete a product registration form at <http://www.regency-fire.com/Customer-Care/Warranty-Registration.aspx> within ninety (90) days of purchase.



Product Registration and Customer Support:

Thank you for choosing a Regency Fireplace. Regency strives to be a world leader in the design, manufacture, and marketing of hearth products. To provide the best support for your product, we request that you complete a product registration form found on our Web Site under Customer Care within ninety (90) days of purchase.

For purchases made in **CANADA or the UNITED STATES:**

<http://www.regency-fire.com/Customer-Care/Warranty-Registration.aspx>

For purchases made in **AUSTRALIA:**

<http://www.regency-fire.com.au/Customer-Care/Warranty-Registration.aspx>

You may also complete the warranty registration form below to register your Regency Fireplace Product and mail and/or fax it back to us, and we will register the warranty for you. It is important you provide us with all the information below in order for us to serve you better.

Warranty Registration Form (or Register online immediately at the above Web Site):

Warranty Details	
Serial Number (required):	
Purchase Date (required) (mm/dd/yyyy):	
Product Details	
Product Model (required):	
Dealer Details	
Dealer Name (required):	
Dealer Address:	
Dealer Phone #:	
Installer:	
Date Installed (mm/dd/yyyy):	
Your Contact Details (required)	
Name:	
Address:	
Phone:	
Email:	

For purchases made in **CANADA:**

FPI Fireplace Products International Ltd.
6988 Venture St.
Delta, British Columbia
Canada, V4G 1H4

Phone: 604-946-5155
Fax: 604-946-4349

For purchases made in the **UNITED STATES:**

Fireplace Products U.S., Inc.
PO Box 2189 PMB 125
Blaine, WA
United States, 98231

Phone: 604-946-5155
Fax: 604-946-4349

For purchases made in **AUSTRALIA:**

Fireplace Products Australia Pty Ltd
1- 3 Conquest Way
Hallam, VIC
Australia, 3803

Phone: +61 3 9799 7277
Fax: +61 3 9799 7822

For fireplace care and tips and answers to most common questions please visit our Customer Care section on our Web Site. Please feel free to contact your selling dealer if you have any questions about your Regency product.

Installer: Please complete the following information

Dealer Name & Address: _____

Installer: _____

Phone #: _____

Date Installed: _____

Serial No.: _____