

# Linear

SERIES



EXPERIENCE THE  
NEW **V-CLASS** BURNER.



Radiant  
Gas Fireplaces



# THE SCIENCE OF WARMTH™

Since 1890, we've been pioneering and perfecting radiant heat technology that generates constant, comfortable warmth within your home.

## RADIANT HEAT

We put radiant warmth into every fire. You can feel it.

## ENHANCED FLAME

Our fires create realistic, soothing flames and ambient glowing embers that radiate heat.

## SAFETY

Our fires are put through rigorous safety testing in our in-house CSA approved lab.

## ALUMINIZED STEEL

Lightweight, high temperature aluminized steel firebox and heat exchanger deliver efficient warmth.

BIRCH LOGS

## V-CLASS BURNER

New high temperature precision stainless steel burner creates a new level of radiant fire and aesthetics.

ON COVER AND THIS PAGE:

L3  
BIRCH 1800BLK  
REFLECTIVE GLASS LINER 1825RGL  
1" TRIM 1875LFB

PROUDLY MADE  
IN NORTH AMERICA





### HEATSHIFT SYSTEM

Valued artwork, a TV or construction materials stay cooler despite the heat of our fireplaces.

### ADJUSTABLE HEAT

Our remote controls provide adjustable flame for constant, even warmth without having to cycle the fire on and off.

### EFFICIENCY

Radiant heat gas fireplaces are up to 30% more efficient than central forced air systems.

### REALISTIC LOGS

High definition, low mass fiber ceramic logs heat up and glow quickly, radiating warmth.

### CERAMIC GLASS WINDOW

Durable and robust ceramic glass improves radiant performance.





**L1 SEE THRU 40" X 2 VIEW**  
LONG BEACH DRIFTWOOD 1505DWK  
FLUTED BLACK LINER 1615FBL  
1" ADJUSTABLE TRIM 1575LFB



# 1 FIREPLACES

We pride ourselves in beautiful linear fireplaces that also naturally provide the comfort of radiant and convective heat. All viewing areas are 14½" tall.

L1 40" VIEW



L2 50" VIEW







 OUTDOOR  
COMPATIBLE

L3 64" VIEW







## 2 FIRE BEDS

We design our expertly crafted media as realistic-looking as possible, and engineer them to harness radiant heat from the flames and glowing embers.

Each media set in each fireplace has its own unique appeal. View our firebed videos at [valorfireplaces.com/fireplace-media](http://valorfireplaces.com/fireplace-media)

**BIRCH** NEW



**LONG BEACH DRIFTWOOD** IMPROVED







**L1 40" VIEW**  
**MURANO GLASS** 1500DGM  
**REFLECTIVE LINER** 1525RGL  
**1" ADJUSTABLE TRIM** 1575LFB



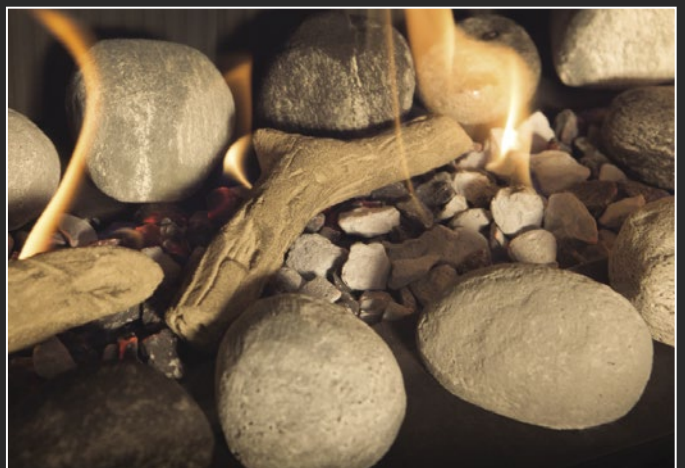
#### MURANO GLASS



#### SPLITWOOD



#### ROCKS AND SHALE (NOT AVAILABLE ON L3)







3

## LINERS

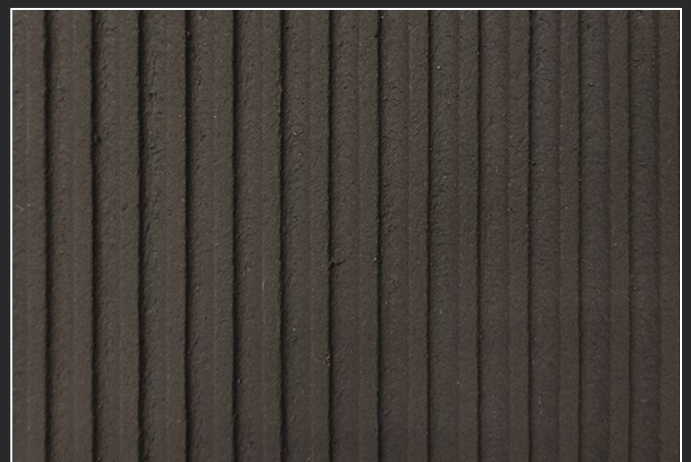
Selecting a liner is an important choice, particularly in linear fireplaces where the liner features prominently.

Choose a liner that complements your logs as well as your fireplace's surround. Liners can appear quite different, depending on if the fire is on or off.

Visit a Valor dealer to see a sample in person; or for online examples, go to [valorfireplaces.com/liner](http://valorfireplaces.com/liner)

### FLUTED BLACK

Provides a graphic contrast, defining the lighter fuel bed and fire.



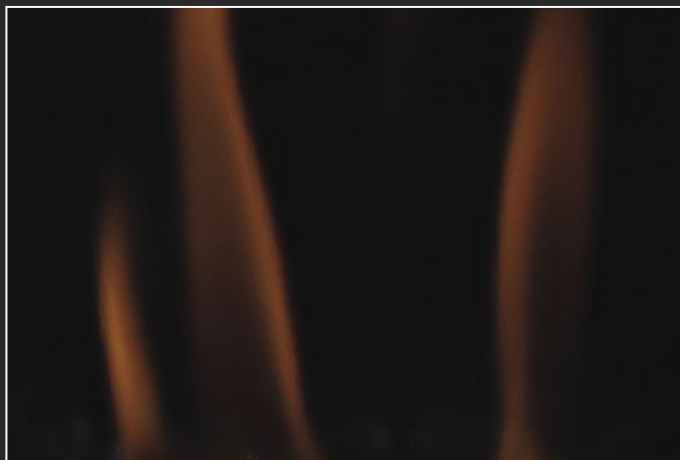




L2 50" VIEW  
ROCK AND SHALE 1714RSS  
REFLECTIVE LINER 1725RGL  
CLEAN-INSTALL KIT 1730CIK

#### REFLECTIVE BLACK GLASS

High definition glass contrasts and enhances the appearance of the firebed and flames.



#### STACKSTONE **NEW**

Warms the fireplace, and adds textured detail to the overall look of the fire.





L3 64" VIEW  
LONG BEACH DRIFTWOOD 1800DWK  
FLUTED BLACK LINER 1815FBL  
1" ADJUSTABLE TRIM 1875LFB



## 4 TRIMS

We've created two minimalist trims, each with unique attributes to suit your particular installation.

### 1" ADJUSTABLE TRIM

The 1" trim can be inset but often sits proud of the fireplace wall. This trim's regular mesh lets out 12% more radiant heat and allows more light to escape for a brighter fire.

HeatShift *recommended.*





L3 64" VIEW  
BIRCH 1800BLK  
REFLECTIVE LINER 1825RGL  
**CLEAN INSTALL KIT** 1830CIK



Speak with your local Valor Dealer or go to [valorfireplaces.com](http://valorfireplaces.com) to find out more about our types of trim.



**CLEAN INSTALL KIT**  
(1½ depth") **NEW**

The CIK makes it easier to finish flush up to the tile for a clean finish. Our finer mesh, on the CIK only, is barely visible.

HeatShift **required.**





Do everything you can do with your Valor 10 remote—and more—with our Valor 10 app.

Child Proof your remote for safety and ease.

Accurately knows the current temperature of your room.

Set the timer to turn the fireplace off up to 9 hours ahead.

Set the temperature for specific times of the day.

Program your fireplace to turn on and off when you want at the temperature you want.



STANDARD WITH ALL OUR LINEAR FIREPLACES.

## 5 VALOR 10: REMOTE

VALOR 10 REMOTE CONTROL NEW

Standard throughout the Linear Series, Valor's new interactive remote control has up-to-the-moment information on the state of your fireplace, such as temperature, and other customizable settings. To find out more, go to [valorfireplaces.com/remote](http://valorfireplaces.com/remote)





### TAKE COMPLETE CONTROL

Increase or decrease flame height to find the perfect ambiance. Use the color wheel to find the ideal temperature setting.



### PROGRAM ON THE GO

Program days, times and temperature settings to match your lifestyle.

Set a countdown timer so your fireplace shuts off automatically.

### CONTROL FEATURES

If you have a fan, set the speed of the fan from low to high.

### SAVE ON ENERGY COSTS

Save energy while enjoying a changing, realistic flame with ECO mode.



Choose time and the percentage of energy saved is shown in the circle/leaf.

# VALOR 10: APP

## VALOR 10 APP NEW

The Valor 10 remote pairs with the Valor 10 App so you can control your linear fireplace with your smartphone. To find out more, go to [valorfireplaces.com/valor10](http://valorfireplaces.com/valor10)





## ZONE HEATING

Looking to heat other areas in your home? HeatShift's optional Remote Blower helps manage your heat effectively by distributing warmth to other areas of your home—such as bedrooms, hallways or utility rooms.



## 6 HEATSHIFT™

### KEEPS WALL COOLER

Pioneered by Valor, our unique HeatShift System naturally circulates up to 125 cubic feet of convective heat per minute through hidden ducts and back into the room—avoiding surface areas above the fireplace.

So valued artwork, a TV or construction materials stay cooler—ideal for wood cladding.

### IMPROVES PERFORMANCE

Harnessing convective warmth, up to 60% of fireplace heat rises and flows through HeatShift and

back into the room. The remaining radiant heat emanates from the fireplace, keeping you warm.

### DESIGN FLEXIBILITY

- Run standard finishing materials right up to the fireplace surround, including drywall, wood, tile, and stone.
- Install mantels lower than usual at a one-to-one ratio of depth to height from the fireplace surround when using HeatShift.
- Several flexible options for construction and design

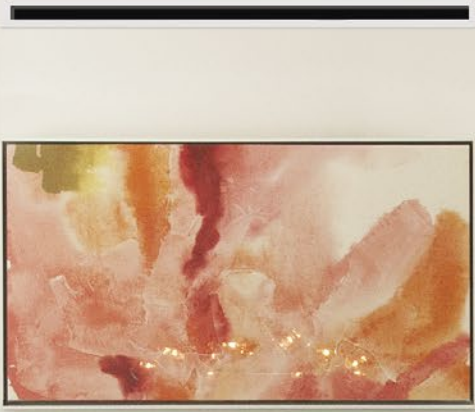
### CONSTRUCTION MADE EASY

Unlike many competing products, HeatShift is built and designed in North America for North American homes, meeting building code requirements.

### NO ELECTRICITY REQUIRED

- Heatshift circulates heat naturally using gravity and Valor product ingenuity—no need for a fan or electricity. No power—no problem.
- Valor fully ducts HeatShift for clean, safe air quality.





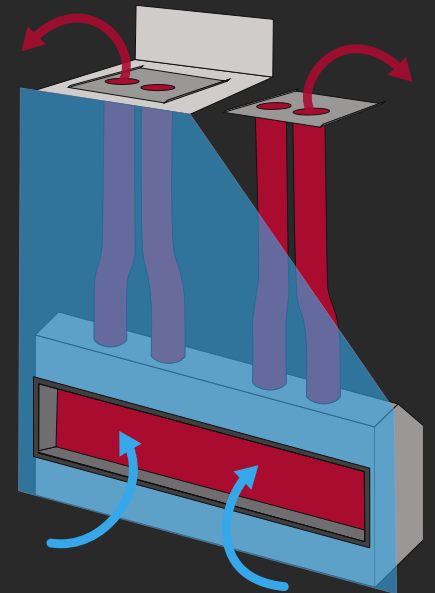
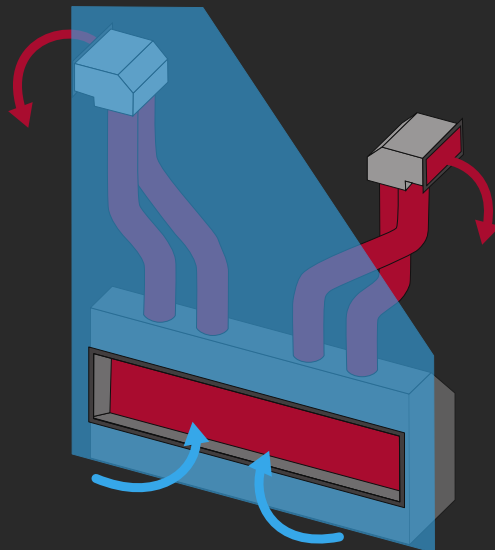
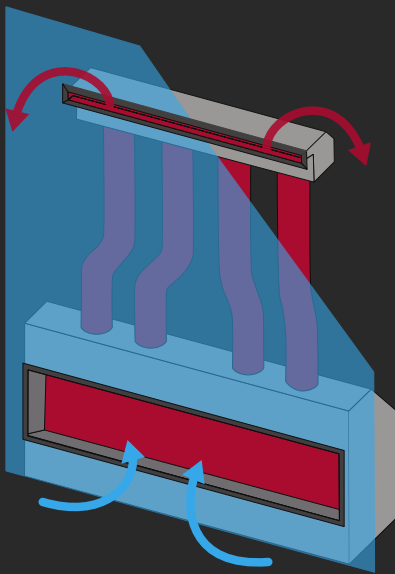
**L1**  
BIRCH 1505BLKV2  
FLUTED BLACK LINER 1515FBL  
CLEAN INSTALL KIT 1530CIK



FRONT OUTLET

SIDE OUTLETS

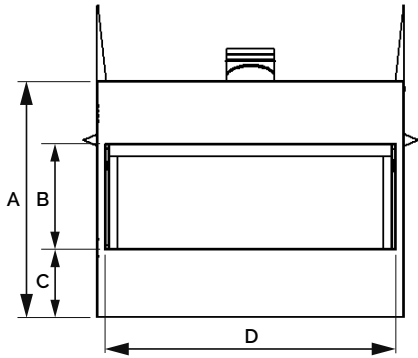
TOP HIDDEN VALANCE





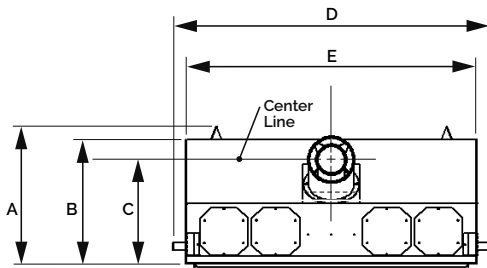
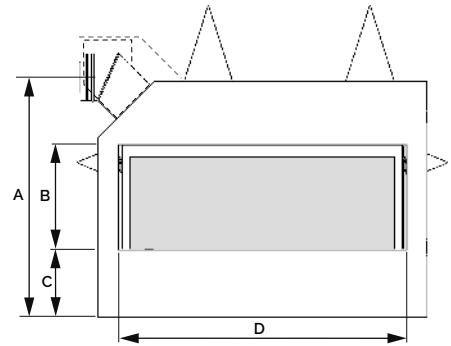
# DIMENSIONS

## L1

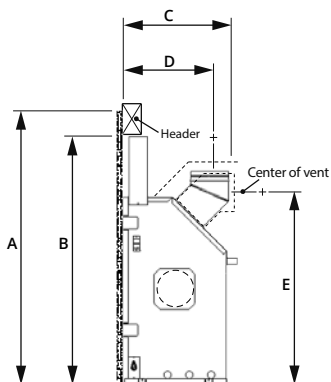
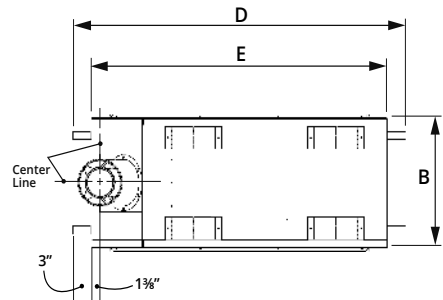


	<u>L1</u>	<u>L1 S-T</u>
A	32 <sup>3</sup> / <sub>8</sub>	33 <sup>1</sup> / <sub>8</sub>
B	14 <sup>1</sup> / <sub>2</sub>	14 <sup>1</sup> / <sub>2</sub>
C	9 <sup>3</sup> / <sub>8</sub>	9 <sup>3</sup> / <sub>8</sub>
D	39 <sup>1</sup> / <sub>16</sub>	39 <sup>1</sup> / <sub>16</sub>

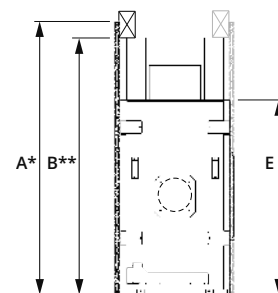
## L1 SEE-THRU



	<u>L1</u>	<u>L1 S-T</u>
A	19 <sup>7</sup> / <sub>8</sub>	—
B	18	18 <sup>1</sup> / <sub>2</sub>
C	15 <sup>1</sup> / <sub>16</sub>	—
D	46	51
E	42	45 <sup>1</sup> / <sub>4</sub>



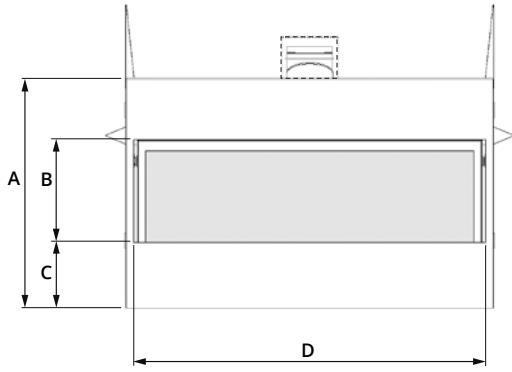
	<u>L1</u>	<u>L1 S-T</u>
A	44 <sup>1</sup> / <sub>2</sub> *	44 <sup>1</sup> / <sub>2</sub> *
B	43**	43**
C	18 <sup>1</sup> / <sub>2</sub>	—
D	15 <sup>1</sup> / <sub>16</sub>	—
E	33 <sup>3</sup> / <sub>8</sub>	32 <sup>5</sup> / <sub>8</sub>



\*minimum to top of cement board  
 \*\*minimum to underside of header

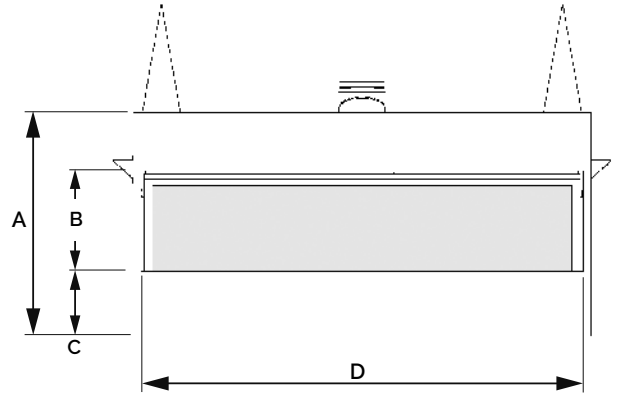


**L2**

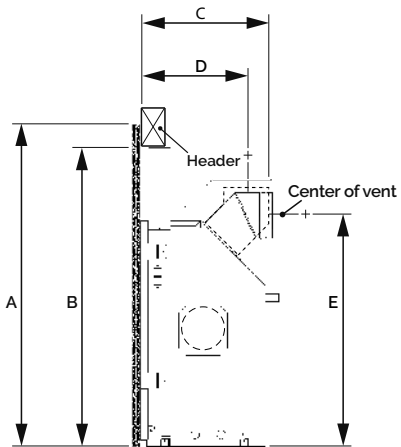
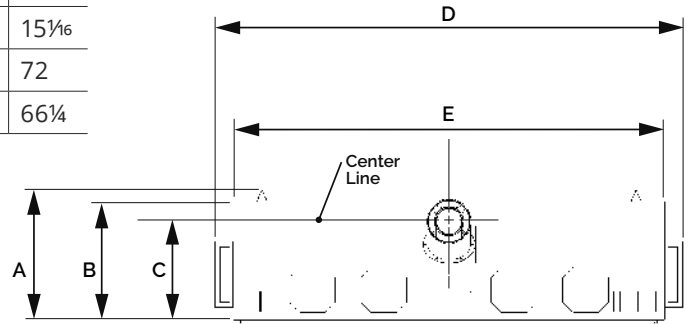
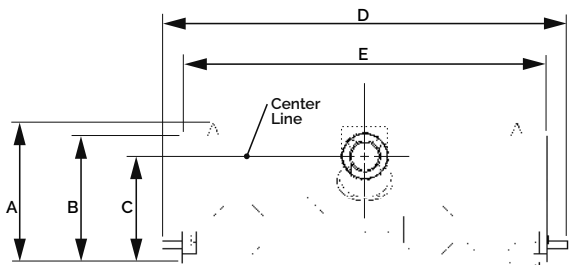


	<b>L2</b>	<b>L3</b>
A	32 $\frac{3}{8}$	32 $\frac{3}{8}$
B	14 $\frac{1}{2}$	14 $\frac{1}{2}$
C	9 $\frac{3}{8}$	9 $\frac{3}{8}$
D	49 $\frac{1}{16}$	64

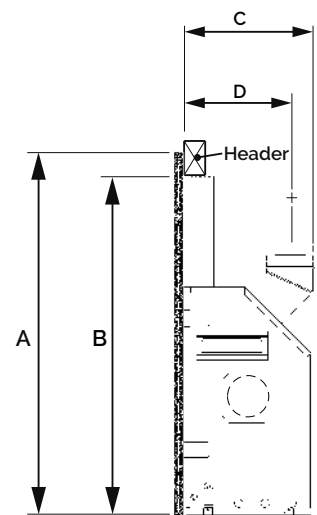
**L3**



	<b>L2</b>	<b>L3</b>
A	19 $\frac{7}{8}$	20
B	18	18
C	15 $\frac{1}{16}$	15 $\frac{1}{16}$
D	57 $\frac{3}{4}$	72
E	52	66 $\frac{1}{4}$



	<b>L2</b>	<b>L3</b>
A	44 $\frac{1}{2}$ *	49 $\frac{3}{8}$ *
B	43**	48**
C	18 $\frac{1}{2}$	18 $\frac{5}{8}$
D	15 $\frac{1}{16}$	15 $\frac{1}{16}$
E	33 $\frac{1}{8}$	—



\*minimum to top of cement board  
 \*\*minimum to underside of header



# SPECIFICATIONS

<b>1</b> <u>ENGINES DIRECT VENT</u>	<u>L1</u>	<u>L1 S-T</u>	<u>L2</u>	<u>L3</u>
Natural Gas	1500KN	1600KN	1700KN	1800KN
Propane	1500KP	1600KP	1700KP	1800KP

<b>2</b> <u>FUEL BEDS</u>				
Birch <b>NEW</b>	1505BLKV2	1500BLK	1700BLK	1800BLK
Long Beach Driftwood	1505DWK	2100DWK	1705DWK	1800DWKV2
Decorative Rock, optional*	1506DRK	1506DRK	1506DRK	1506DRK
Splitwood	1500SWK	1500SWK	1700SWK	1800SWK
Murano Glass	1500DGM	1500DGM	1700DGM	1800DGMV2
Rock and Shale	1514RSS	1514RSS	1714RSS	—

\*for use with Long Beach Driftwood

<b>3</b> <u>LINERS</u>				
Fluted Black	1515FBL	1615FBL	1715FBL	1815FBL
Reflective Glass	1525RGL	1625RGL	1725RGL	1825RGL
Stackstone <b>NEW</b>	1540SSL	—	1740SSL	1840SSL

<b>4</b> <u>TRIMS</u>				
1" Adjustable Trim Black	1575LFB	1575LFB	1775LFB	1875LFB
Clean Install kit** <b>NEW</b>	1530CIK	1530CIK	1730CIK	1830CIK
3½" Black	1550LSBV2	1550LSBV2	—	—
5¼" Black	—	—	1750LSBV2	1850LSB

\*\*requires HeatShift

## 5 REMOTE CONTROL

Valor 10 Remote <b>NEW</b>	GV60	<i>standard</i>
Valor 10 app <b>NEW</b>	GV60VM + GV60WiFi	<i>optional</i>
Remote Battery and Wall Switch	RBWSK	<i>standard</i>

## 6 HEATSHIFT

Front plenum, 48"	LDK1
Front plenum, 38"	LKD4
Side wall grilles, two, 14"	LKD3
Top valance, hidden	LDK7

## OPTIONAL

Outdoor Conversion Kit	GV60CKO
Remote Blower	1270RBK
Circulating Fan (for GV60VM)	1595CFKV2

## EFFICIENCY

BTU/Hour	Maximum Input	Minimum Input	Max. Output w/out fan	EnerGuide*
1500KN	30,000	19,000	21,705	66.3%
1500KP	30,000	21,000	20,409	67%
1600KN	30,000	19,000	22,116	69%
1600KP	30,000	21,000	19,198	69%
1700KN	36,000	21,000	25,916	67%
1700KP	36,000	22,500	25,347	70%
1800KN/KP	42,000	23,000	30,484	66.5%

Use this table to determine the level of efficiency and performance of your fireplace. Rating are based on Valor's top performing fireplaces in each of the column's categories.

\* EnerGuide Ratings and outputs have been determined without a fan/blower, using the CSA P4.1-15 test method.

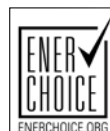
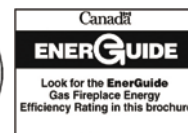
Certified to ANSI Z21.88-2017/CSA 2.33 Vented Gas Fireplace Heater American National Standard. CGA-2.17-91 Gas Fired Appliances for use at High Altitudes.

### ⚠ WARNING

This product can expose you to chemicals including Benzene, which is known to the State of California to cause cancer and birth defects or other reproductive harm.

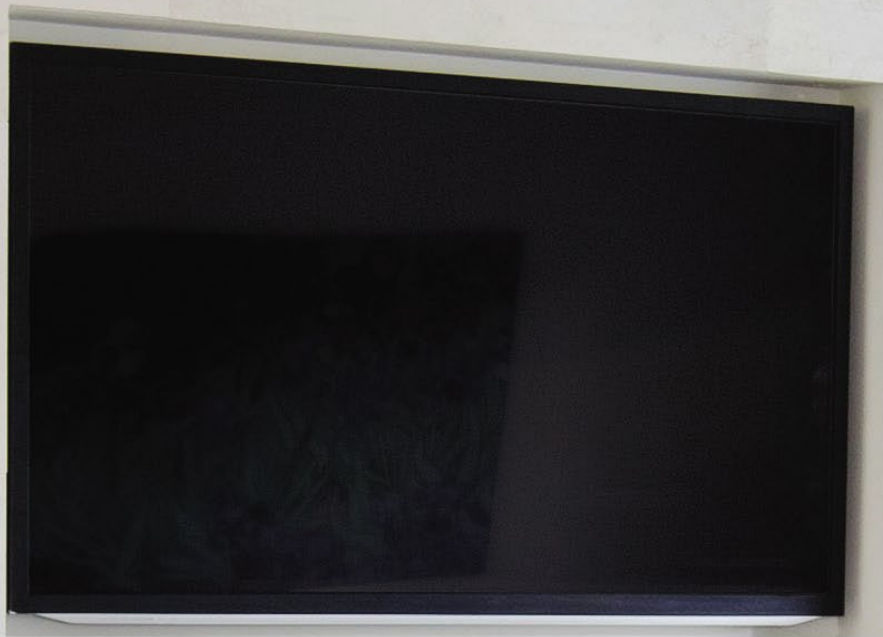
For more information go to [www.P65Warnings.ca.gov](http://www.P65Warnings.ca.gov)

Note: Natural gas, in its original state, contains Benzene.





Limited stock available of  
the 3½" linear trim in Black  
or Brushed Nickel.



**L2**  
BIRCH 1700BLK **NEW**  
STACKSTONE 1740SSL **NEW**  
CLEAN INSTALL KIT 1730CIK



BRLIN21E JULY

[valorfireplaces.com](http://valorfireplaces.com)

**valor**  
Radiant  
Gas Fireplaces