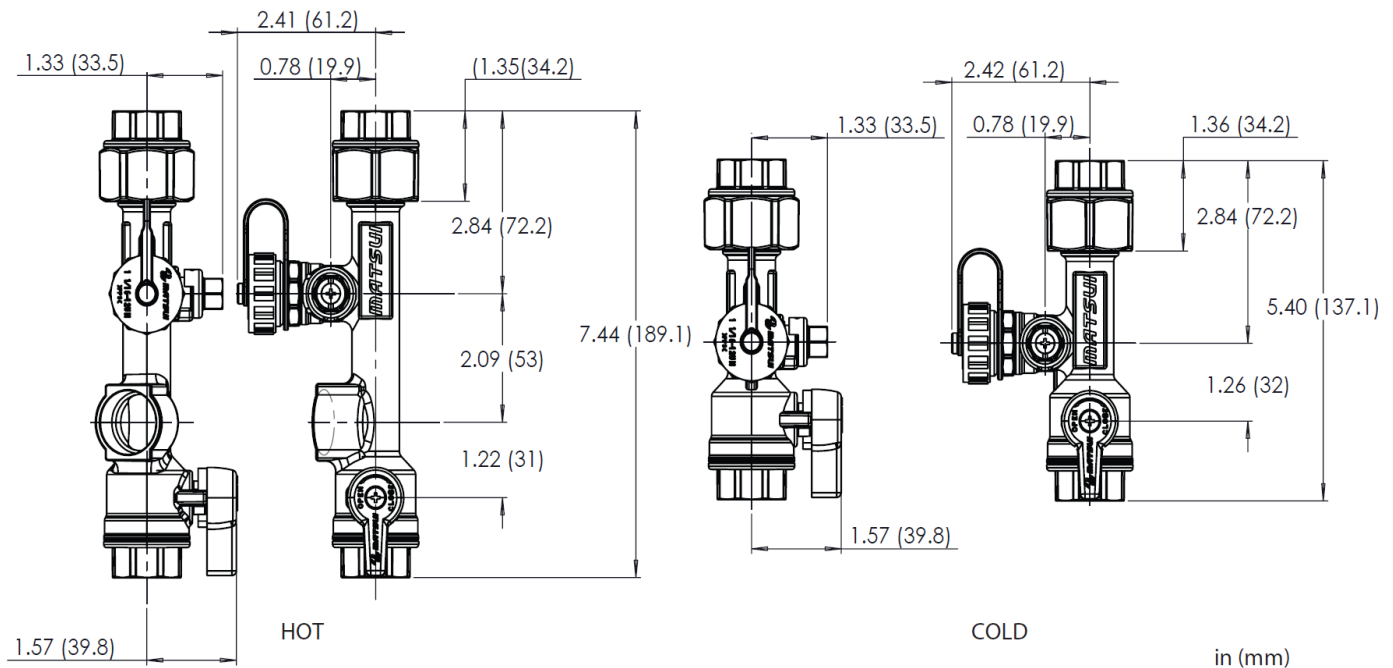


# Rinnai Water Heater Isolation Valves and Pressure Relief Valve

Matsui Isolation Valve Kit (part number MIVK-T-LW). The hot and cold water isolation valves provide the ability to isolate the water heater from the structure's plumbing. This will allow quick access for maintenance, service, and testing.

Features:

- Quicker Installation
- Heavy duty forged brass construction
- Color coded valve handles for easy identification of hot and cold valves
- Compact design for easy fit with recess box/pipe cover
- 100% leak tested
- Complies with Lead Plumbing Law
- Meets NSF/ANSI 61
- Pressure relief valve included (150 psi / 200,000 btuh)
- 3/4" female NPT unions for connection to water heater
- 3/4" female NPT threaded connections to plumbing



Rinnai America Corporation • 103 International Drive, Peachtree City, GA 30269

Toll-Free: 1-800-621-9419 • Phone: 678-829-1700 • www.rinnai.us

©2015 Rinnai America Corporation. Rinnai is continually updating and improving products; therefore, specifications are subject to change without prior notice. Local, state, provincial, federal and national fuel gas codes must be adhered to prior to and upon installation.