

H-Series



H36-PV NG Traditional Logset



Redefine Your Home Experience

Enjoy the expanded sense of space and the comfort of a unique modern fireplace. With hundreds of traditional and contemporary options to fit your style, the Montigo H Series is truly the most versatile suite in the industry

Versatility

With dozens of possible configurations, the H-Series fireplace can become the centerpiece of any space.

Burner Technology

A flame viewing experience unlike any other. Multiple burner and burner media options are available to achieve that perfect ambience.

Our Guarantee

Rest assured our uncompromising quality and long-term reliability is backed by our limited 10-year warranty.



HW38DFLI LP Wildfire with porcelain panel kit



HL38PRNI-2 NG Panorama



HL38PFNI-2 NG Peninsula



HL38CL-2 NG Corner Left/Corner Right



H38FSDNI NG See-Through

Burner Options[‡]

Not all burner options shown



H34 Traditional Burner



HC34 Traditional Burner



HLB34 Linear Burner



H38 Traditional Burner



HL38 Linear Burner



HW38 Wildfire Burner



H36PV Traditional Burner



H42 Traditional Burner



HL42 Linear Burner



HW42 Wildfire Burner



H38ST Traditional Burner



HL38DF PRC Linear Burner



HL38DF PFC Linear Burner



HL38 Linear Burner Corner Left



H38 Traditional Burner Corner Right



H38DF PRC Traditional Burner

Model	Traditional Burner	Linear Burner	Wildfire Burner	River Rock Burner	Remote Control	Fans
H*34DF	✓	✓	N/A	✓	Optional	Optional
H*38DF	✓	✓	✓	✓	Optional†	Optional
H*42DF	✓	✓	✓	✓	Optional†	Optional
H38DF-ST	✓	N/A	N/A	N/A	Optional	Optional
H42DF-ST	✓	N/A	N/A	N/A	Optional	Optional
H*38DF-PFC	✓	✓	N/A	N/A	Standard	N/A
H*38DF-PRC	✓	✓	N/A	N/A	Standard	N/A
H*38DF-CL/CR	✓	✓	N/A	N/A	Standard	N/A
H36PV	✓	N/A	N/A	N/A	Optional	N/A

The * in the model number denotes burner type:

- HL - Linear Burner (IE: HL34DF)
- HW - Wildfire Burner (IE: HW38DF)

† Remote Control standard on HW Models with electronic ignition, CL/CR, PRC, and PFC

‡ Log sets and Media may not be exactly as shown

H*34 electronic ignition units come standard with SIT Proflame 2 BASIC system

Background Options



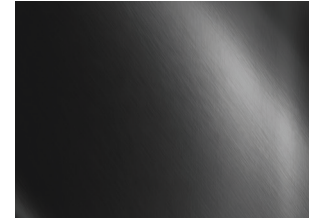
Black Satin



Colonial Fibre Brick



Rustic Fibre Brick Red



Porcelain



Herring Bone Fibre Brick



Heritage Fibre Brick



Rustic Fibre Brick Brown



Reflective Glass*

Model	Black Satin	Colonial Fibre Brick White	Rustic Fibre Brick Red	Porcelain	Herring Bone Fibre Brick	Heritage Fibre Brick Brown	Rustic Fibre Brick Brown	Reflective Glass*
H34DF†	Standard	✓	✓		✓	✓	✓	✓
H38DF†	Standard	✓			✓	✓		✓
H42DF†	Standard	✓			✓	✓		✓
HW38DF**				✓	Standard			
HW42DF					Standard			✓
H38DF-ST†						Standard		
H42DF-ST†						Standard		
H38DF-PFC†						Standard		
H38DF-PRC†						Standard		
H38DF-CL/CR†						Standard		
H36PV					Standard			

*Coming soon

† Linear models come with standard Black Satin and cannot be substituted

**HW38 models come standard with ceramic glass door

Remote Controls



Standing Pilot Remote
RX40 On/Off



Standing Pilot Remote
RX60 On/Off with Thermostat



Standing Pilot Remote
RX82 NG/LP
Proflame 1



IPI Remote
RX200 NG/LP
PF2RK Proflame 2
RX100 NG/LP

Burner Media Accessories - Firestones



White, Silver, Opaque DGB01 (Order Code: HW1082)



Opal DGB04 (Order Code: HW1106)



Sapphire DGB08 (Order Code: HW1108)



Frost DGB10 (Order Code: HW1112)



Ebony DGB03 (Order Code: HW1091)



Ivory DGB09 (Order Code: HW1111)

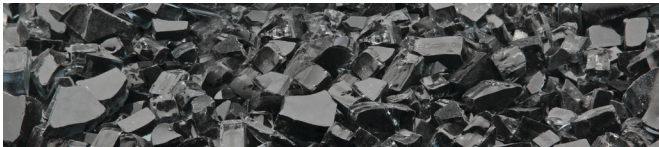


Diamond Glazier (Order Code: HW1219B)



Melon DGB07 (Order Code: HW1109)

Burner Media Accessories - Fireglass



Black Ice DGM21 (Order Code: HW1113)



Platinum Ice DGM24 (Order Code: HW1144)



Copper Ice DGM23 (Order Code: HW1143)



Star Ice DGM25 (Order Code: HW1157)

Burner Media Accessories - Cultured Rocks



Assorted Colors (L38RRL)



Beige (RR20BEIG)



Grey (RR20GREY)



Charcoal (RR20BLA)



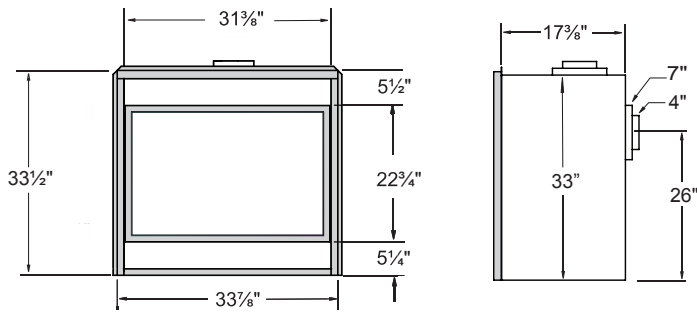
Speckled Stones (Order Codes: RR***SS)



River Rock Kit (Order Codes: RBHR**R)

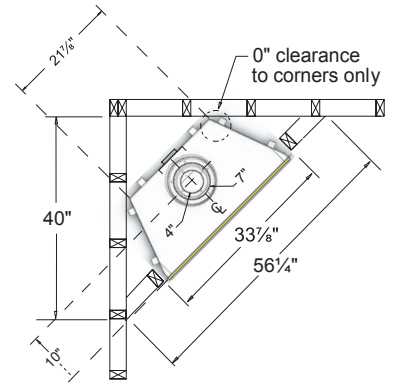
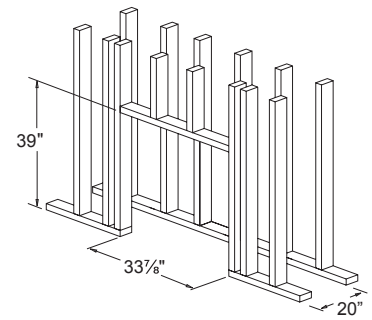
H*34DF Series Single Sided Specifications

Unit Dimensions



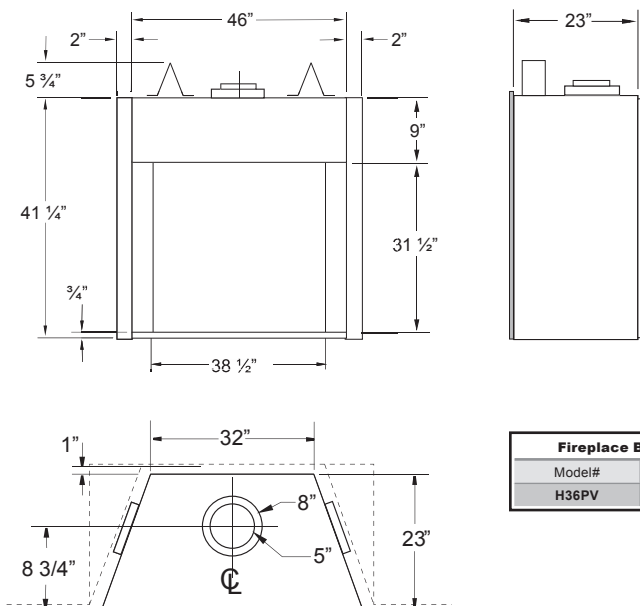
Fireplace BTU/H Input		
Model#	Natural Gas	Liquid Propane
H34DF	18,000	18,000
HL34DF	20,000	20,000
HC34DF	22,000	22,000

Framing Dimensions



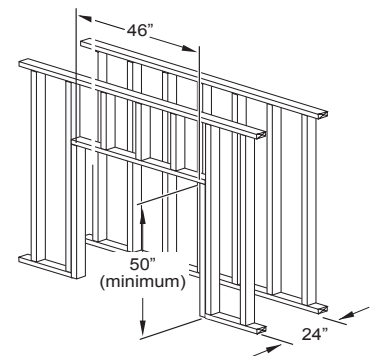
H36PVN Single Sided Specifications

Unit Dimensions



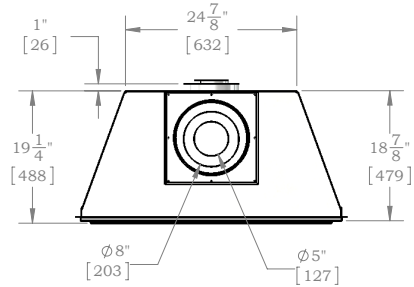
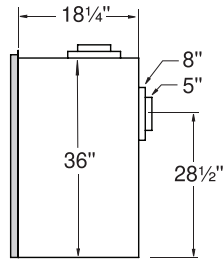
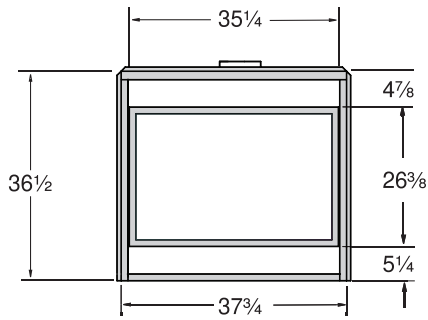
Fireplace BTU/H Input	
Model#	Natural Gas
H36PV	55,000

Framing Dimensions



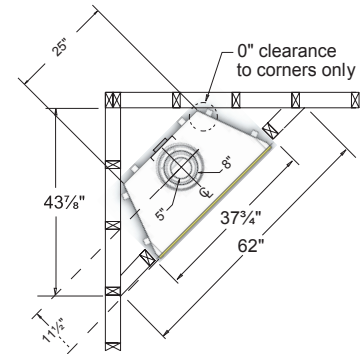
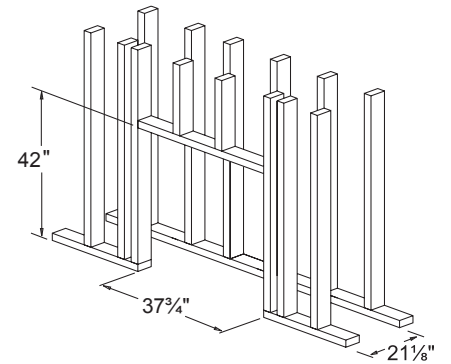
H*38DF Single Sided Specifications

Unit Dimensions



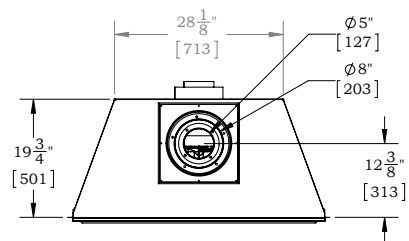
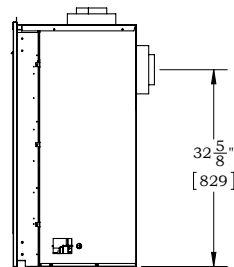
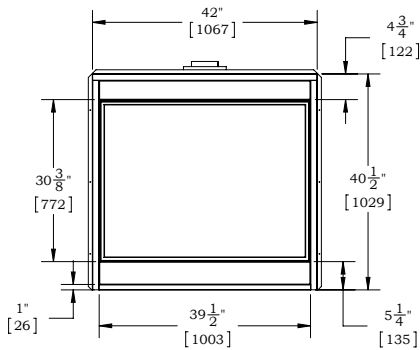
Fireplace BTU/H Input		
Model#	Natural Gas	Liquid Propane
H38DF	26,000	26,000
HL38DF	25,000	25,000
HW38DF	34,000	30,000

Framing Dimensions



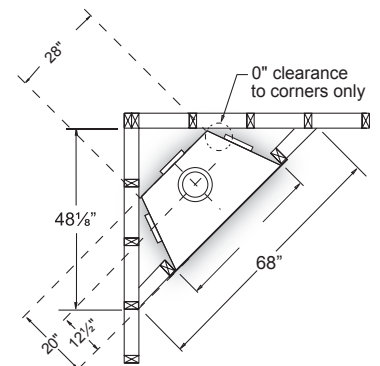
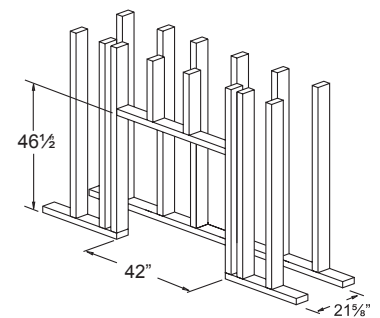
H*42DF Single Sided Specifications

Unit Dimensions



Fireplace BTU/H Input		
Model#	Natural Gas	Liquid Propane
H42DF	34,000	32,000
HL42DF	34,000	32,000
HW42DF	34,000	N/A

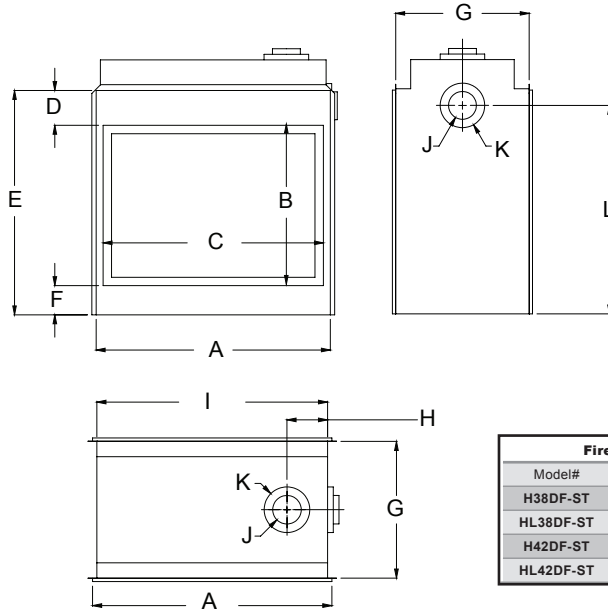
Framing Dimensions



H Series See Through Specifications

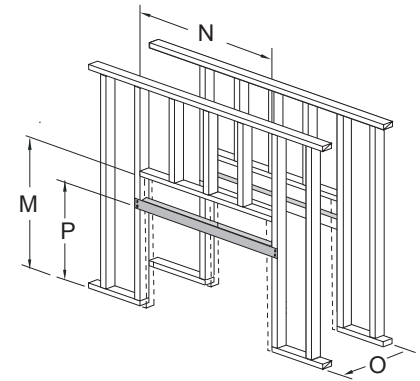
Unit Dimensions

Unit Dimensions												
	A	B	C	D	E	F	G	H	I	J	K	L
H38DF-ST	37 $\frac{3}{4}$ "	25"	35 $\frac{1}{4}$ "	6 $\frac{1}{4}$ "	36 $\frac{1}{2}$ "	5 $\frac{1}{4}$ "	24"	7 $\frac{1}{4}$ "	36 $\frac{1}{4}$ "	5"	8"	33 $\frac{1}{2}$ "
H42DF-ST	42"	28 $\frac{3}{4}$ "	39 $\frac{1}{2}$ "	6 $\frac{1}{4}$ "	40 $\frac{1}{4}$ "	5 $\frac{1}{4}$ "	24"	7 $\frac{1}{4}$ "	40 $\frac{1}{2}$ "	5"	8"	37 $\frac{1}{2}$ "



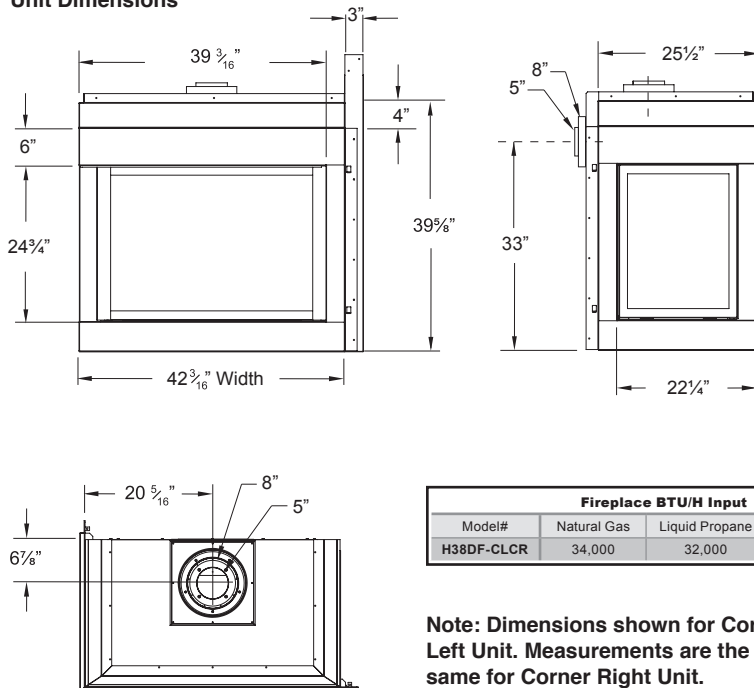
Framing Dimensions

Framing Dimensions				
	M	N	O	P
H(L)38DF-ST	42 $\frac{1}{2}$ "	41 $\frac{1}{4}$ "	23 $\frac{3}{4}$ "	N/A
H(L)42DF-ST	49 $\frac{1}{2}$ "	45"	23 $\frac{3}{4}$ "	46 $\frac{1}{2}$ "



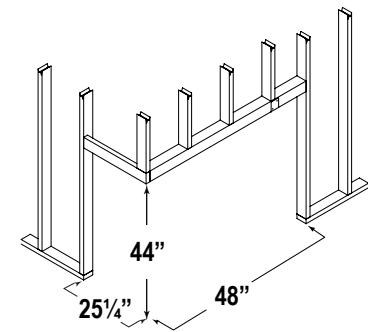
H Series Corner Left / Corner Right Specifications

Unit Dimensions



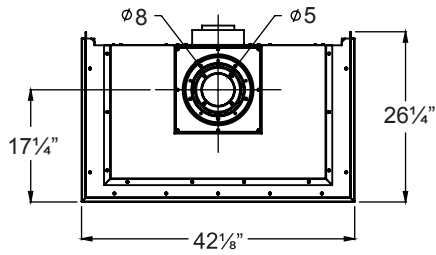
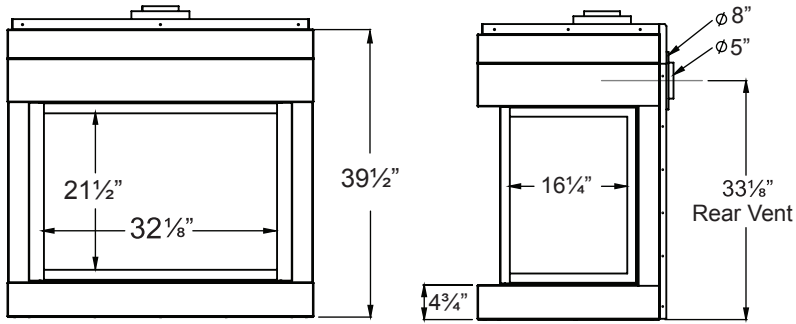
Note: Dimensions shown for Corner Left Unit. Measurements are the same for Corner Right Unit.

Framing Dimensions



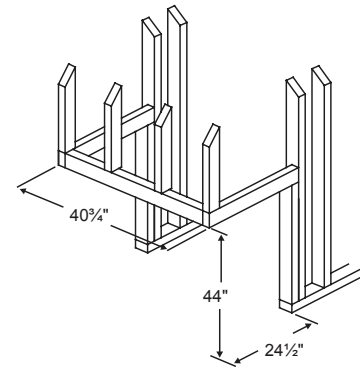
H Series Panorama Specifications

Unit Dimensions



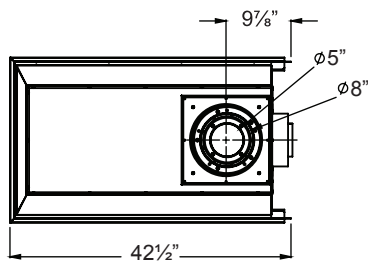
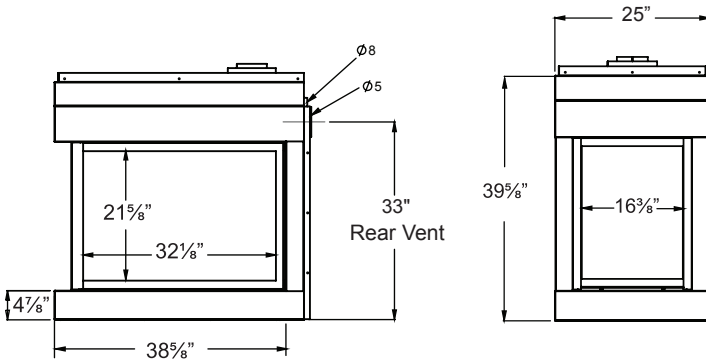
Fireplace BTU/H Input		
Model#	Natural Gas	Liquid Propane
HP38DF-PRC	34,000	32,000
HL38DF-PRC	34,000	32,000

Framing Dimensions



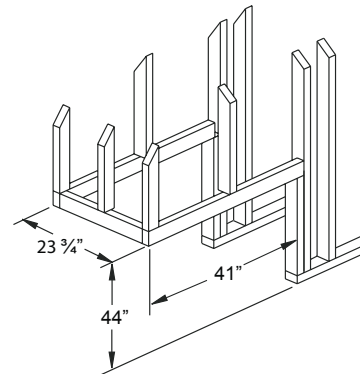
H Series Peninsula Specifications

Unit Dimensions



Fireplace BTU/H Input		
Model#	Natural Gas	Liquid Propane
HP38DF-PFC	34,000	32,000
HL38DF-PFC	34,000	32,000

Framing Dimensions



H-Series



H38 NG with River Rock kit

Consult the owner's manual for complete installation instructions, product dimensions and proper clearances to combustible surfaces prior to installing fireplace.
All specifications, framing dimensions, product designs, materials and colors are subject to change without notice. The actual flame pattern and color may vary slightly from the illustrations. Diagrams and illustrations are not to scale.
Options & accessories may have an associated surcharge.

Available at:

For more inspiration go to:
www.montigo.com



P/N XB2212

101816