



MDV31/39

DIRECT VENT MULTI-SIDED SEE-THROUGH FIREPLACE



THE ULTIMATE IN DESIGN, ENGINEERING & QUALITY

Model MDVR31N Multi-Sided Direct Vent Fireplace in natural gas, LOGC31 Log Set – Seven Piece Cast Split Oak, M30SK See Through Kit, Z36CVCK Designer Clean View Circulating Kit (2).



MDV31/39

DIRECT VENT MULTI-SIDED PENINSULA FIREPLACE



THE ULTIMATE IN DESIGN, ENGINEERING & QUALITY

Model MDVR31N Multi-Sided Direct Vent Fireplace in natural gas, LOGC31 Log Set – Seven Piece Cast Split Oak, M30PK Peninsula Kit, MGPKBL Grill Kit – Black, optional MDV38RLE Refractory Liner.

There's nothing like the magic of fire to add comfort and beauty to not just one room – but two! Discover its stylish appeal that is perfectly suited as a divider in large multi-purpose rooms such as a great room or lower level.

Model	MDV31N / MDV31NE	MDV39N / MDV39NE	MDV31LP / MDV31LPE
Fuel	Natural	Natural	Propane
Input Max.	30,000 BTU	39,000 BTU	30,000 BTU
Input Min.	22,500 BTU	26,000 BTU	25,000 BTU
Glass Type	Tempered	Ceramic	Tempered
Bedroom Approved	*Yes	*Yes	*Yes
FE (P.4.1-15)	60.9% / 63.4%	56.5% / 57.8%	53.5% / 55.7%

*Must be installed with listed thermostat, in Canada. Check local jurisdiction in USA.

STANDARD FEATURES

- Hi/low Millivolt or IPI valve with variable adjustment of flame and BTU
- A flame sensor that constantly monitors the pilot flame and provides 100% gas shut off if pilot is not sensed
- A triple burner with seven piece cast split oak log set with glowing ember bed and decorative ash bed
- Safety Screen Barrier



Safety Screen Barrier

OPTIONAL FEATURES

Grills

Available in Black

Surround Wide (See Through Louvered only)

Available in Black

Fan Kit

Thermostatically controlled for automatic On/Off operation and variable speed control

Brick Refractory Liners

End Panel

Thermostat

Wall Mount Millivolt or Programmable Thermostat

Remote Control

On/Off, Thermostat On/Off, Thermostat On/Off modulating, Thermostat On/Off modulating and fan control



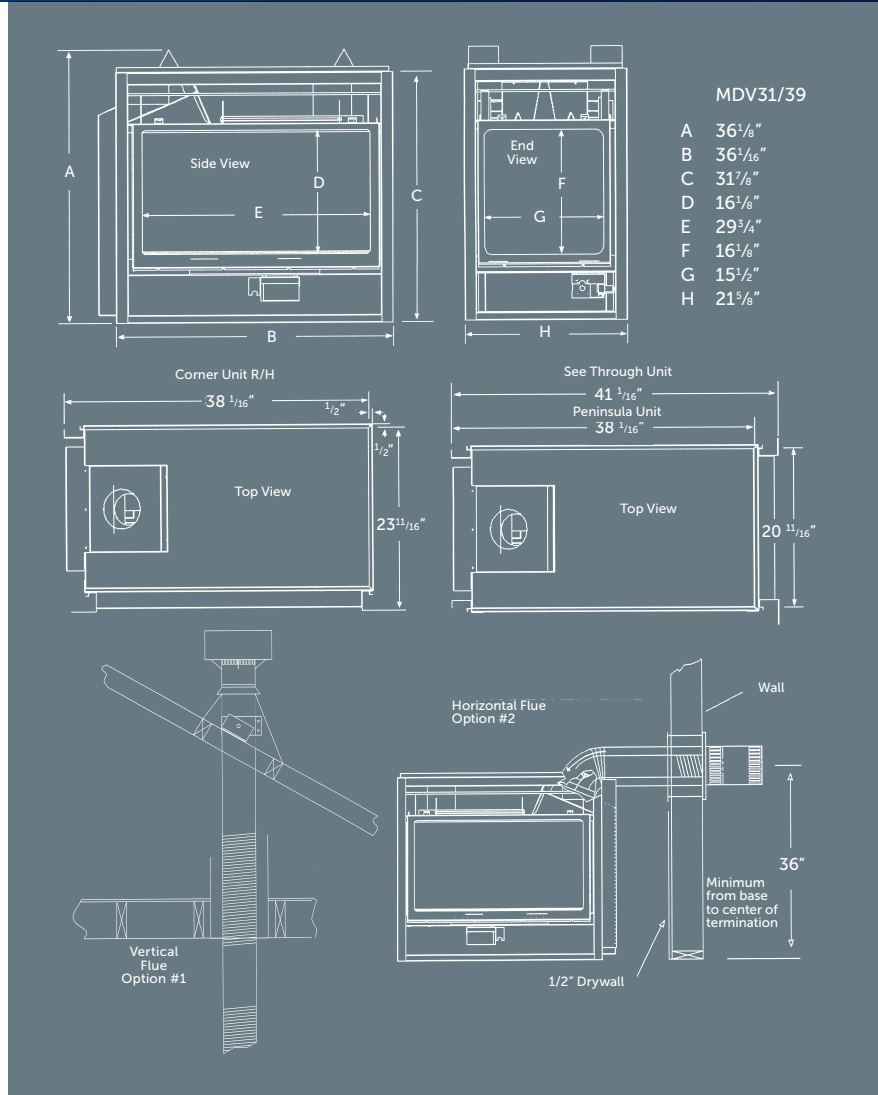
Designer Clean View Circulating Kit

No louvers required

Two Clean views required for installation

Clean View Framing

42 1/2" H x 46 1/8" W x 25 5/8" D



UNIT AND FRAMING SPECIFICATIONS (IN.)

LOUVERED MODEL	Height Framing	Width Framing	Depth Framing
CORNER	37"	38 1/8"	23 3/4"
PENINSULA	37"	38 1/8"	20 5/8"
SEE-THROUGH	37"	41 1/8"	20 5/8"

Minimum 42" height for combustible enclosure, with insulation sleeve.



2340 Logan Avenue
Winnipeg, Manitoba, Canada R2R 2V3
Phone: (204) 632-1962 Fax: (204) 632-1960
www.kingsmanfireplaces.com

MDV31/39

DIRECT VENT MULTI-SIDED CORNER FIREPLACE



Canada
ENERGUIDE
Look for the **EnerGuide**
Gas Fireplace Energy
Efficiency Rating in this brochure
Based on CSA P.4.1-15

Model MDVL31N Multi-Sided Direct Vent Fireplace in natural gas, LOGC31 Log Set – Seven Piece Cast Split Oak, M30CK Corner Kit, MGCKBL Grill Kit – Black, optional Refractory Liners MDV38RLE – End and MDV38RLS – Side.



*Components may have to be ordered separately to create a complete unit. Discuss with your local Kingsman dealer for clarification.

Kingsman Fireplaces maintains a program of continuous testing, refinement and improvements of all its products. Some aspect of units shown here may be changed at any time without notice or obligation. Certification: The models are certified for USA and Canada. Certified to: ANSI Z21.50-2014, CSA 2.22-2014, CGA 2.17-M91 (R2009) as a Vented Gas Fireplace.



CRAFTED ENTIRELY IN CANADA, EACH KINGSMAN FIREPLACE IS BUILT TO THE HIGHEST STANDARDS AND MADE TO LAST.

Printed in Canada
12/17 – B089