



Heating and Air Conditioning

## TECHNICAL GUIDE

### R-410A

### AFFINITY™ SERIES

### DEZ/DEQ/DEX MODELS

### 2 - 5 TON

### 60 Hertz

## Description

These York® Affinity™ packaged air conditioners are designed for outdoor installation. Only utility and duct connections are required at the point of installation.

Field-installed electric heater accessories are available to provide electric heat, if required.



Tested in accordance with:

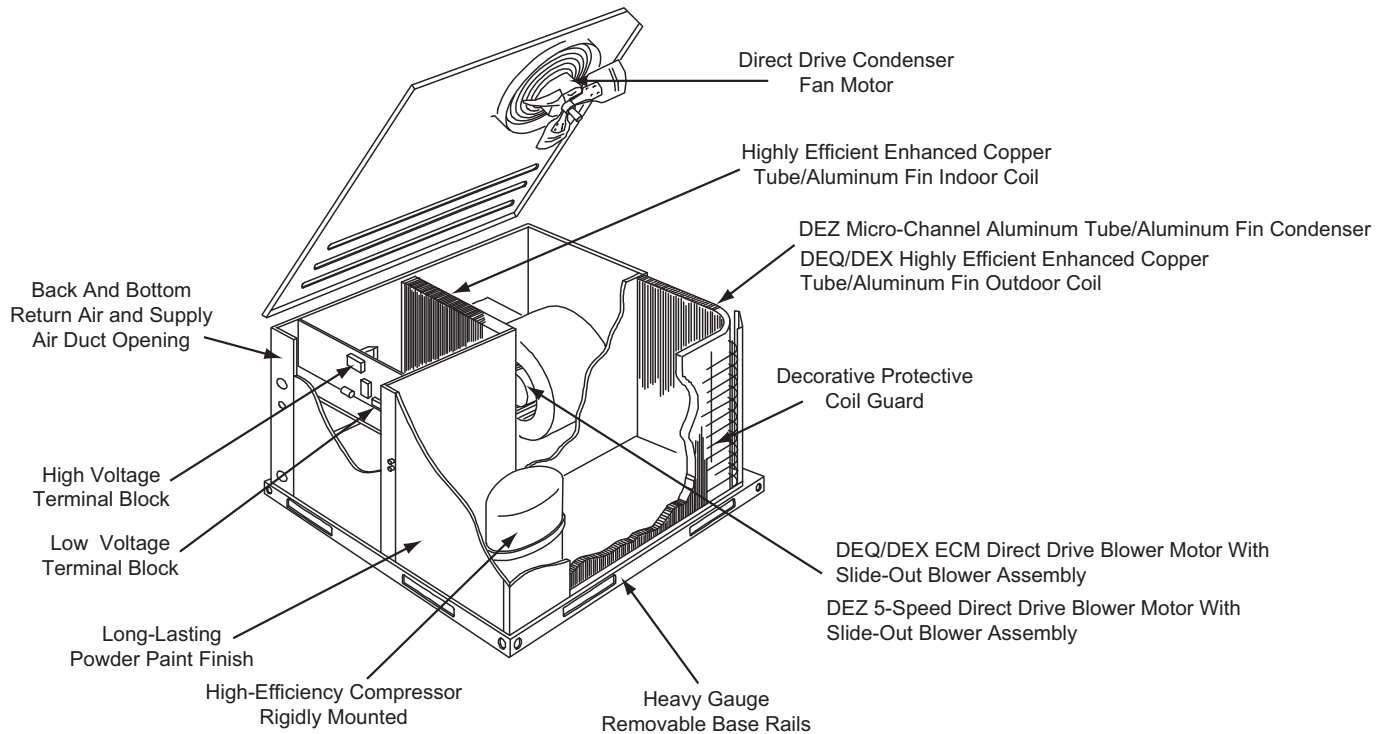


## Table of Contents

Description .....	1
Table of Contents .....	2
Component Location .....	2
Nomenclature .....	3
Features and Benefits .....	3
Guide Specifications .....	5
Physical Data .....	6
Capacity Performance .....	10
Airflow Performance .....	39
Sound Performance .....	47
Electrical Data .....	49
Typical Wiring Diagrams .....	52
DEX/DEQ/DEX Weights and Dimensions .....	65

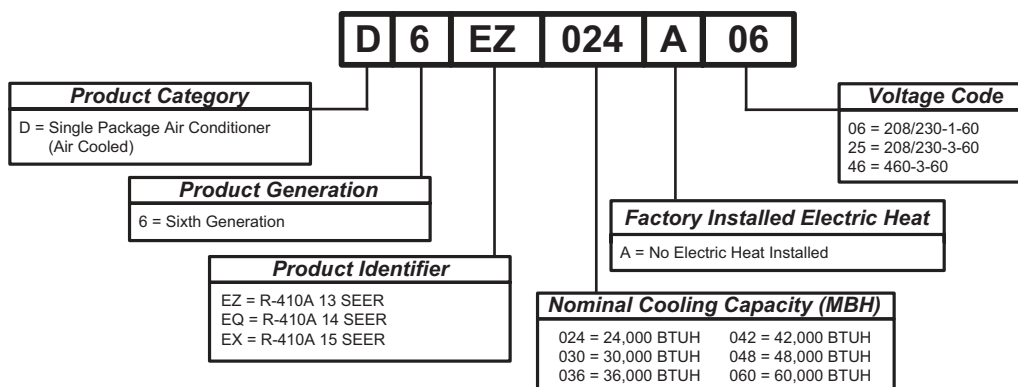
## Component Location

### Cooling Only



## Nomenclature

### Cooling Only



## Features and Benefits

### Standard Features

- Operating Efficiency** - All DEZ air conditioners provide operating efficiencies of 13 SEER. All DEQ air conditioners provide operating efficiencies of 14 SEER. All DEX air conditioners provide operating efficiencies of 15 SEER. All efficiencies exceed legislated minimum levels.
- On Site Flexibility** - All model sizes share a common, compact design cabinet in a single footprint. The installer has the flexibility of setting one curb and placing the proper tonnage unit on that curb after the internal load has been determined. Field convertible duct connections from side shot to down shot allows the installer to have greater flexibility with less inventory.
- Lower Installation Cost** - Installation time and costs are reduced by easy power and control wiring connections. The small base dimension means less space is required on the ground or roof, plus, the installer can fit this unit between the wheel wells of full size pick-up truck. All units are completely wired, charged with R-410A and tested prior to shipment. Unique test stations using a new state of the art computerized process system are used to insure product quality. Refrigerant charge and component part numbers are verified via computers at assembly. Vital run test statistics such as system pressure, motor currents, air velocity and temperature, unit vibration, and gas system safeties are monitored and recorded by the system to insure unit performance. Equal size, side supply and return duct connections allows easy hook-up of ducts to match low crawl spaces without transition pieces.
- Utility Connections Made Easy** - Electric utility knockouts are provided through the bottom as well as the side of the unit. Utility connections can be made quickly and with a minimum amount of field labor. A field supplied and field installed electrical disconnect switch must be installed.
- Convertible Airflow Design** - The bottom duct openings are covered when they leave the factory ready to be used for a side supply/side return application. If a bottom supply/bottom return application is desired, you simply remove the two panels from the bottom of the unit and place them in the side supply/side return duct openings.
- Condensate Pan** - A non-corrosive, long-lasting, water-tight pan is positioned below the evaporator coil to collect and drain all condensate. Less collection of stagnate condensate will build-up. The condensate pan conforms to ASHRAE 62-89 standards (Ventilation for Acceptable Indoor Air Quality).
- Condensate Drain** - The heavy duty, 3/4 inch NPTI copper connection is more durable over time. The connection is rigidly mounted to assure proper fit and leak tight seal.
- Durable Finish** - The cabinet is made of pre-painted steel. The pre-treated galvanized steel provides a better paint to steel bond, which resists corrosion and rust creep. Special primer formulas and matted-textured finish insure less fading when exposed to sunlight.
- Full Perimeter Base Rails** - The easily removable base rails provide a solid foundation for the entire unit and protects the unit during shipment. The rails provide fork lift access from all sides, and rigging holes are also provided so that an overhead crane can be used to place the units on a roof. On applications where the unit is placed on a pad, the base will keep the unit off the pad to deter corrosion. On applications where height is limited, the inch high base rails may be removed on location.
- More Attractive Appearance** - A single piece Water Shed top cover containing a top discharge condenser fan arrangement requires less square footage on installation and provides a wider variety of installations. The one piece design adds greater water integrity. Rounded corners with water drip edges add to the attractive appearance. The cabinet panels have a non-fibrous insulation that will not release insulation fibers into conditioned area.
- Top Discharge** - The top discharge condenser fan does not disrupt neighboring areas or dry-out vegetation surrounding the unit. The warm air from the top mounted fan is blown up away from the structure and any landscaping. This allows compact location on multi-unit applications.
- Condenser Coil Grille** - All DEZ models utilize a decorative "Wire-Form" coil guard to provide impact protection against large objects. All DEQ/DEX models utilize a stamped "Louvered" design which provides

No panel cutting is required and no accessory panel is necessary. Convertible airflow design allows maximum field flexibility and minimum inventory.

superior impact protection against smaller objects during transit and after installation.

- **Low Operating Sound Level** - The upward air flow carries the normal operating noise up and away from the living area. The rigid top panel effectively isolates any motor sound. Isolator mounted compressor and the rippled fins of the condenser coil muffle the normal fan motor and compressor operating sounds. The unique formed base pan also aids in sound alterations with it's Super-Structure design. This design strategically places embossments in the pan for optimum strength and rigidity.
- **Fan System** - All models operate over a wide range of design conditions with an electrically commutated fan motor. These units easily match all types of applications and provide greater on site flexibility to match comfort requirement. The cooling speed is factory set and can be field adjusted to a second speed. The heating speed is factory set but can be field adjusted. This allows maximum comfort conditions.
- **Simple Control Circuit** - A low voltage printed circuit board contains a diagnostic indicator light and a low voltage terminal strip. An additional set of pin connectors is also provided to simplify the field interface of external controls. Mate-n-lock plug connectors are used. The electrical control box is not located in the compressor compartment. The controls are mounted on a Control-Tilt control panel to allow the access cover to be removed for trouble shooting and maintenance without affecting the normal system operating pressures. All wiring internal to the unit is color/number coded.
- **Protected Compressor** - The compressor is internally protected against high pressure and temperature. This is accomplished by the simultaneous operation of high pressure relief valve and a temperature sensor which protect the compressor if undesirable operating conditions occur.
- **Pressure Switches** - High pressure and low pressure/loss of charge switches standard in all units. When abnormal conditions are sensed through the pressure switches, the unit will lock out preventing any further operation until reset or problem is corrected.
- **Exclusive Coil Design** - Grooved copper tubes and enhanced aluminum fin construction improves heat transfer for maximum efficiency and durability.
- **Self Diagnostic Fan Control Module** - Due to this self diagnostic control, less on site time is required to trouble shoot these units.
- **Low Maintenance** - Long life, permanently lubricated condenser and evaporator fan motor bearings need no annual maintenance adding greater reliability to the unit. Blower assembly can be easily cleaned by the unique Slip-Track slide-out blower assembly.
- **Secured Service Access Ports** - Protected, externally mounted, re-usable service access ports are provided on both the high and low lines for ease of evacuating and charging the system. No final field mounting required.
- **Easy Service Access** - A large, single panel covers the electrical controls to make servicing easy. The blower compartment has an additional large panel with a built-in handle tab. Removing this panel will allow the blower assembly to slide-out for easy removal for maintenance and ease of trouble shooting.

- **Replacement Parts** - The installer requires no special training to replace any of the components of these units and does not need to maintain an inventory of unique parts.
- **System Integration** - Each unit has the internal ability to integrate an electronic air cleaner or humidifier to work in conjunction with the base unit.

### Field Installed Accessories

- **Economizer Down Discharge/Supply Kit** - Modulating integrated economizer provides simultaneous operation between the mechanical cooling and economizer operation. Independent blade design insures proper control and less than 1% leak rate. Includes hood and mesh bird screen filter integrated into the hood, dry bulb sensor and relief damper. Separate field accessories of single enthalpy and dual enthalpy are also available. A built-in barometric relief of 25% is provided.
- **Single Enthalpy Sensor** - Sensor replaces dry bulb sensor standard in economizer kit. Provides improved economizer operation by sensing the dry bulb temperature from outdoors plus the enthalpy content of the outdoor air.
- **Dual Enthalpy Sensor** - Additional sensor to single enthalpy sensor. Sensor senses both the return air temperature dry bulb and humidity in conjunction with the single enthalpy to determine the most economical mix. Single Enthalpy sensor also required.
- **Hail Guard Kit** - Kit contains protective grilles made of expanded aluminum with full perimeter frame. Sloped hoods are also included to assure maximum protection.
- **Filter/Frame Kit (Single Phase Only)** - Kit contains the necessary hardware to field install return air filters into the base unit. Pre-cut filter racks and appropriate cleanable standard size filters are shipped in one kit. The filter rack is suitable for either 1" or 2" filters. (1" filter is supplied) This kit is available for single phase horizontal or vertical duct application only. Standard in all 3 Phase models.
- **Motorized Fresh Air Damper** - Designed for duct mounted side supply/return and unit mounted down supply/return applications. Damper capable of providing 0% through 50% of outdoor air (field supplied). Closes on power loss, includes hood and screen assembly.
- **Rectangle To Round Adapters** - Kit includes one supply and one return air rectangle to round duct adapter. Adapters are preformed and designed to fit over current duct openings on the base unit. Transition is from side square duct opening to 14" round duct opening.
- **Roof Curbs** - NRCA approved curbs provide proper fit to base unit for rooftop installations. Curbs are designed to be assembled through hinge pins in each corner. Kit also provides seal strip to assure a water tight seal. 8 and 14 inch high roof curbs are available.
- **Manual Outdoor Damper** - Provides 0% through 50% outdoor air capability (field adjustable). Designed for duct mounted side supply/return applications. Includes hood and screen assembly.
- **Wall Thermostat** - The units are designed to operate with 24-volt electronic and electro-mechanical thermostats. All units can operate with single stage heat/single stage cool thermostats - with or without the economizer.

- **Low Ambient Kit** - Kit provides necessary hardware to convert unit to operate in cooling cycle down to 0° F. Standard unit operation 45° F.
- **Transformer Kit** - Kit provides necessary hardware to provide single phase models from factory furnished 40 VA transformer capability to 75 VA transformer capability. (Required on installations with economizer or motorized damper.)

## Guide Specifications

### General

Units shall be manufactured by Johnson Controls Unitary Products in an ISO 9001 certified facility. YORK's Affinity™ package units give you the flexibility and choices you need in today's market. These packaged air conditioners are designed for outdoor installation. Only utility and duct connections are required at the point of installation.

### Description

Units shall be factory-assembled, single packaged, Electric Cooling units, designed for outdoor mounted installation. For SEER ratings, refer to technical literature. They shall have built in, equal size, field convertible duct connections for down discharge supply/return or horizontal discharge supply/return. The units shall be factory wired, piped, charged with R-410A Refrigerant and factory tested prior to shipment. All unit wiring shall be both numbered and color coded. All units shall be manufactured in a facility certified to ISO 9001 standards, and the cooling performance shall be rated in accordance with DOE and AHRI test procedures. Units shall be CSA listed and classified to ANSI Z21.47/CAN/CSA 2.3 standards and UL 1995/CAN/CSA No. 236-M90 conditions.

### Unit Cabinet

Unit cabinet shall be constructed of G-90, pre-paint textured steel, certified at 500 hours salt spray test per ASTM-B117 standards. The unit top shall be a single piece "Water Shed" design, with drip edges and no-seam corners to provide optimum water integrity. Unit shall have a rigidly mounted condenser coil guard to provide protection from objects and personnel after installation. Indoor blower section shall be insulated with up to 3/4" thick, aluminum, foil faced insulation, fastened to prevent insulation from entering the air stream. Cabinet panels shall be "large" size, easily removable for servicing and maintenance, with built-in lift handles. Unit shall be built on a formed, "Super-Structure" design base pan, with embossments at critical points to add strength, rigidity and aid in minimizing sound. Full perimeter base rails shall be provided to assure reliable transit of equipment, overhead rigging, for truck access and proper sealing on roof curb applications. Base rails shall be removable, when required, to lower unit height. Filters shall be furnished and be accessible through a removable access door, sealed airtight. Units vertical discharge and return duct configuration shall be designed to fit between standard 24" O.C. beams without modification to building structure, duct work and base unit. Condensate pan shall be internally sloped and conform to ASHRAE 62-89 self-draining standards, with 3/4" NPTI copper, ridged mount connection.

### Indoor (Evaporator) Fan Assembly

Fan shall be direct drive design. Fan wheel shall be double-inlet type with forward-curved blades, dynamically balanced to operate smoothly throughout the entire range of operation. Airflow design shall be constant air volume. Bearings shall be sealed and permanently lubricated for longer life and no maintenance. Fan assembly shall be "Slip Track" (slide-out) design for easy removal and cleaning.

### Outdoor (Condenser) Fan Assembly

The outdoor fan shall be of the direct-driven propeller type, discharge air vertically, have aluminum blades riveted to corrosion resistant steel spider bracket and shall be statically balanced for smooth operation. The outdoor fan motor shall be totally enclosed with permanently lubricated bearings and internally protected against overload conditions.

### Refrigerant Components

#### Compressors:

- Shall be fully hermetic type, direct drive, internally protected with internal high-pressure relief and over temperature protection. The hermetic motor shall be suction gas cooled and have a voltage range of +/- 10% of the unit nameplate voltage.
- Shall have internal isolation and sound muffling to minimize vibration and noise, and be externally isolated on a dedicated, independent mounting.

#### Coils:

- Evaporator coils shall have aluminum plate fins mechanically bonded to seamless internally enhanced copper tubes with all joints brazed.
- Evaporator coil shall be of the direct expansion, draw through design.
- Condenser coils shall have aluminum plate fins mechanically bonded to seamless internally enhanced copper tubes with all joints brazed or Micro-Channel aluminum tube, aluminum fins.
- Condenser coil shall be draw through design.

Refrigerant Circuit and Refrigerant Safety Components shall include:

- Independent fixed orifice expansion devices.
- Filter/strainer to eliminate any foreign matter.

### Electric Heating Section (Field Install Accessory)

An electric heating section, with nickel chromium elements, shall be provided in a range of 5 thru 25 KW. The heating section shall have a primary limit control(s) (automatic reset) to prevent the heating element system from operating at an excessive temperature. The Heating Section assembly shall slide out of the unit for easy maintenance and service. Units with Electric Heating Sections shall be wired for a single point power supply with branch circuit fusing (where required).

## Physical Data

### DEZ Physical Data

Component	Models					
	DEZ024	DEZ030	DEZ036	DEZ042	DEZ048	DEZ060
Nominal Tonnage	2.0	2.5	3.0	3.5	4.0	5.0
<b>AHRI COOLING PERFORMANCE</b>						
Gross Capacity @ AHRI A point (MBH)	24.4	30.7	35.3	42.8	49.5	59.2
AHRI net capacity (MBH)	24.0	30.0	34.5	41.5	48.0	57.5
EER	12.6	11.55	11.35	11.80	11.90	11.05
SEER	13.0	13.0	13.0	13.0	13.0	13.0
Nominal CFM	780	1050	1200	1450	1500	1550
System power (KW)	1.90	2.60	3.04	3.52	4.03	5.21
Refrigerant type	R-410A	R-410A	R-410A	R-410A	R-410A	R-410A
Refrigerant charge (lb-oz)	3-2	3-7	3-6	4-4	4-0	4-8
<b>DIMENSIONS (inches)</b>						
Length	49 1/8	49 1/8	49 1/8	49 1/8	49 1/8	49 1/8
Width	47 1/4	47 1/4	47 1/4	47 1/4	47 1/4	47 1/4
Height	33 1/2	33 1/2	33 1/2	33 1/2	41 1/2	41 1/2
<b>OPERATING WT. (lbs.)</b>						
Unit Weight (lbs.)	374	375	379	400	401	405
<b>COMPRESSOR</b>						
Type	Recip	Recip	Recip	Recip	Recip	Scroll
<b>CONDENSER COIL DATA</b>						
Face area (Sq. Ft.)	11.9	11.9	11.9	11.9	15	15
Rows	1	1	1	1	1	1
Fins per inch	23	23	23	23	23	23
Tube diameter (in.)	0.71/18	0.71/18	0.71/18	0.71/18	0.71/18	0.71/18
Circuitry Type	2-pass Microchannel	2-pass Microchannel	2-pass Microchannel	2-pass Microchannel	2-pass Microchannel	2-pass Microchannel
<b>EVAPORATOR COIL DATA</b>						
Face area (Sq. Ft.)	4.38	4.38	4.38	5.63	5.63	5.63
Rows	2	2	2	3	2	3
Fins per inch	15	15	15	15	16	16
Tube diameter	3/8	3/8	3/8	3/8	3/8	3/8
Circuitry Type	Interlaced	Interlaced	Interlaced	Interlaced	Interlaced	Interlaced
Refrigerant control	Orifice	Orifice	Orifice	Orifice	Orifice	Orifice
<b>CONDENSER FAN DATA</b>						
Fan diameter (Inch)	22	22	22	22	22	22
Type	Prop	Prop	Prop	Prop	Prop	Prop
Drive type	Direct	Direct	Direct	Direct	Direct	Direct
No. speeds	1	1	1	1	1	1
Motor HP	1/4	1/4	1/4	1/3	1/3	1/3
RPM	850	850	850	1120	1120	1100
Nominal total CFM	1800	1800	2400	3000	3000	3000
<b>DIRECT DRIVE EVAP FAN DATA</b>						
Fan Size (Inch)	10 x 8	10 x 8	11 x 10	11 x 10	11 x 10	11 x 10
Type	Centrifugal	Centrifugal	Centrifugal	Centrifugal	Centrifugal	Centrifugal
No. speeds	5	5	5	5	5	5
Motor HP	1/2	1/2	1/2	3/4	3/4	1
RPM	Variable	Variable	Variable	Variable	Variable	Variable
Frame size	48	48	48	48	48	48
<b>FILTERS</b>						
Quantity - Size	2 - 22 x 14 x 1	2 - 22 x 14 x 1	2 - 22 x 14 x 1	2 - 22 x 14 x 1	2 - 22 x 14 x 1	2 - 22 x 14 x 1

## DEQ Physical Data

Component	Models					
	DEQ024	DEQ030	DEQ036	DEQ042	DEQ048	DEQ060
Nominal Tonnage	2.0	2.5	3.0	3.5	4.0	5.0
<b>AHRI COOLING PERFORMANCE</b>						
Gross Capacity @ AHRI A point (MBH)	23.3	32.3	36.9	43.5	49.0	58.0
AHRI net capacity (MBH)	23.0	31.0	36.0	42.0	47.0	56.0
EER	12.0	12.0	12.0	12.1	12.0	12.0
SEER	14.3	14.1	14.0	14.0	14.0	14.0
Nominal CFM	800	900	1150	1400	1500	1550
System power (KW)	1.92	2.58	3.00	3.47	3.92	4.67
Refrigerant type	R-410A	R-410A	R-410A	R-410A	R-410A	R-410A
Refrigerant charge (lb-oz)	5-0	7-8	8-2	7-12	10-10	10-4
<b>DIMENSIONS (inches)</b>						
Length	49 1/8	49 1/8	49 1/8	49 1/8	49 1/8	49 1/8
Width	47 1/4	47 1/4	47 1/4	47 1/4	47 1/4	47 1/4
Height	33 1/2	33 1/2	33 1/2	41 1/2	41 1/2	41 1/2
<b>OPERATING WT. (lbs.)</b>						
Unit Weight (lbs.)	346	386	396	406	440	452
<b>COMPRESSOR</b>						
Type	Recip	Recip	Recip	Recip	Scroll	Scroll
<b>CONDENSER COIL DATA</b>						
Face area (Sq. Ft.)	11.7	11.7	11.7	16.4	16.4	16.4
Rows	1	2	2	1	2	2
Fins per inch	20	20	20	20	20	20
Tube diameter (in.)	3/8	3/8	3/8	3/8	3/8	3/8
Circuitry Type	Interlaced	Interlaced	Interlaced	Interlaced	Interlaced	Interlaced
<b>EVAPORATOR COIL DATA</b>						
Face area (Sq. Ft.)	4.38	4.38	4.38	5.63	5.63	5.63
Rows	2	2	3	3	3	3
Fins per inch	15	15	15	16	16	16
Tube diameter	3/8	3/8	3/8	3/8	3/8	3/8
Circuitry Type	Interlaced	Interlaced	Interlaced	Interlaced	Interlaced	Interlaced
Refrigerant control	Orifice	Orifice	Orifice	Orifice	Orifice	TX Valve
<b>CONDENSER FAN DATA</b>						
Fan diameter (Inch)	22	22	22	22	22	22
Type	Prop	Prop	Prop	Prop	Prop	Prop
Drive type	Direct	Direct	Direct	Direct	Direct	Direct
No. speeds	1	1	1	1	1	1
Motor HP	1/4	1/4	1/4	1/4	1/3	1/3
RPM	850	850	850	1100	1100	1100
Nominal total CFM	1800	1800	2400	3000	3000	3000
<b>DIRECT DRIVE EVAP FAN DATA</b>						
Fan Size (Inch)	10 x 8	10 x 8	10 x 8	11 x 10	11 x 10	11 x 10
Type	Centrifugal	Centrifugal	Centrifugal	Centrifugal	Centrifugal	Centrifugal
No. speeds	1	1	1	1	1	1
Motor HP	1/2	1/2	1/2	3/4	3/4	1
RPM	Variable	Variable	Variable	Variable	Variable	Variable
Frame size	48	48	48	48	48	48
<b>FILTERS</b>						
Quantity - Size	2 - 22 x 14 x 1	2 - 22 x 14 x 1	2 - 22 x 14 x 1	2 - 22 x 14 x 1	2 - 22 x 14 x 1	2 - 22 x 14 x 1

**DEX Physical Data**

Component	Models				
	DEX024	DEX030	DEX036	DEX042	DEX048
Nominal Tonnage	2.0	2.5	3.0	3.5	4.0
<b>AHRI COOLING PERFORMANCE</b>					
Gross Capacity @ AHRI A point (MBH)	23.5	29.2	36.8	44.5	50.8
AHRI net capacity (MBH)	23.2	28.6	36.0	43.5	49.0
EER	12.35	12.25	12.3	12.3	12.3
SEER	15.1	15.2	15.2	15.4	15.2
Nominal CFM	800	1000	1150	1400	1600
System power (KW)	1.9	2.3	2.9	3.5	4.0
Refrigerant type	R-410A	R-410A	R-410A	R-410A	R-410A
Refrigerant charge (lb-oz)	5-0	8-0	8-0	7-8	10-0
<b>DIMENSIONS (inches)</b>					
Length	49 1/8	49 1/8	49 1/8	49 1/8	49 1/8
Width	47 1/4	47 1/4	47 1/4	47 1/4	47 1/4
Height	33 1/2	33 1/2	33 1/2	41 1/2	41 1/2
<b>OPERATING WT. (lbs.)</b>					
Unit Weight (lbs.)	355	390	400	410	440
<b>COMPRESSOR</b>					
Type	Scroll 2-spd	Scroll 2-spd	Scroll 2-spd	Scroll 2-spd	Scroll 2-spd
<b>CONDENSER COIL DATA</b>					
Face area (Sq. Ft.)	11.7	11.7	11.7	16.4	16.4
Rows	1	2	2	1	2
Fins per inch	20	20	20	20	20
Tube diameter (in.)	3/8	3/8	3/8	3/8	3/8
Circuitry Type	Interlaced	Interlaced	Interlaced	Interlaced	Interlaced
<b>EVAPORATOR COIL DATA</b>					
Face area (Sq. Ft.)	4.38	4.38	4.38	5.63	5.63
Rows	2	2	3	3	3
Fins per inch	15	15	15	16	16
Tube diameter	3/8	3/8	3/8	3/8	3/8
Circuitry Type	Interlaced	Interlaced	Interlaced	Interlaced	Interlaced
Refrigerant control	TX Valve	TX Valve	TX Valve	TX Valve	TX Valve
<b>CONDENSER FAN DATA</b>					
Fan diameter (Inch)	22	22	22	22	22
Type	Prop.	Prop.	Prop.	Prop.	Prop.
Drive type	Direct	Direct	Direct	Direct	Direct
No. speeds	1	1	1	1	1
Motor HP	1/4	1/4	1/4	1/4	1/3
RPM	850	850	850	1100	1100
Nominal total CFM	1800	1800	2400	3000	3000
<b>DIRECT DRIVE EVAP FAN DATA</b>					
Fan Size (Inch)	10 x 8	10 x 8	10 x 8	11 x 10	11 x 10
Type	Centrifugal	Centrifugal	Centrifugal	Centrifugal	Centrifugal
No. speeds	2	2	2	2	2
Motor HP	1/2	1/2	1/2	3/4	3/4
RPM	Variable	Variable	Variable	Variable	Variable
Frame size	48	48	48	48	48
<b>FILTERS</b>					
Quantity - Size	2 - 22 x 14 x 1	2 - 22 x 14 x 1	2 - 22 x 14 x 1	2 - 22 x 14 x 1	2 - 22 x 14 x 1



**DEZ/DEQ Unit Limitations**

Model (Tons)	Unit Voltage	Unit Limitations		
		Applied Voltage		Outdoor DB Temp Max (°F)
		Min	Max	
DEZ/DEQ 024 (2.0)	208/230-1-60	187	252	125
DEZ/DEQ 030 (2.5)	208/230-1-60	187	252	125
DEZ/DEQ 036 (3.0)	208/230-1-60	187	252	125
	208/230-3-60	187	252	125
	460-3-60	432	504	125
DEZ/DEQ 042 (3.5)	208/230-1-60	187	252	125
	208/230-3-60	187	252	125
	460-3-60	432	504	125
DEZ/DEQ 048 (4.0)	208/230-1-60	187	252	115
	208/230-3-60	187	252	115
	460-3-60	432	504	115
DEZ/DEQ 060 (5.0)	208/230-1-60	187	252	115
	208/230-3-60	187	252	115
	460-3-60	432	504	115

**DEX Unit Limitations**

Model (Tons)	Unit Voltage	Unit Limitations		
		Applied Voltage		Outdoor DB Temp Max (°F)
		Min	Max	
DEX024 (2.0)	208/230-1-60	187	252	115
DEX030 (2.5)	208/230-1-60	187	252	115
DEX036 (3.0)	208/230-1-60	187	252	115
	208/230-3-60	187	252	115
	460-3-60	432	504	115
DEX042 (3.5)	208/230-1-60	187	252	115
	208/230-3-60	187	252	115
	460-3-60	432	504	115
DEX048 (4.0)	208/230-1-60	187	252	115
	208/230-3-60	187	252	115
	460-3-60	432	504	115

# Capacity Performance

## DEZ024-060 Cooling Capacities

### DEZ024 (2.0 Ton)

Air on Evaporator Coil		Temperature of Air on Condenser Coil															
CFM	WB (°F)	Net Capacity <sup>1</sup> (MBh)	Total Input (kW) <sup>2</sup>	Sensible Capacity (MBh)						Net Capacity <sup>1</sup> (MBh)	Total Input (kW) <sup>2</sup>	Sensible Capacity (MBh)					
				Return Dry Bulb (°F)								Return Dry Bulb (°F)					
				90	85	80	75	70	65			90	85	80	75	70	65
				75°F						85°F							
600	77	30.3	1.2	8.6	6.3	4.0	-	-	-	28.6	1.6	10.7	8.3	6.0	-	-	-
	72	28.5	1.4	15.0	12.7	10.4	8.1	-	-	26.4	1.7	15.6	13.2	10.9	8.5	-	-
	67	26.6	1.6	21.4	19.1	16.8	14.5	12.2	-	24.2	1.8	20.5	18.1	15.8	13.5	11.1	-
	62	24.1	1.4	23.8	19.1	16.2	13.9	11.6	9.3	21.8	1.6	21.7	19.3	17.0	14.6	12.3	9.9
	57	23.5	1.4	23.5	20.1	17.6	15.3	13.0	10.7	21.8	1.6	21.8	20.1	17.8	15.4	13.1	10.7
700	77	31.8	1.3	10.5	7.7	5.2	-	-	-	30.0	1.6	12.4	9.6	7.0	-	-	-
	72	29.8	1.5	17.9	15.4	12.9	10.4	-	-	27.7	1.7	18.0	15.4	12.7	10.1	-	-
	67	27.9	1.7	25.4	23.1	20.6	18.1	15.6	-	25.4	1.8	23.6	21.1	18.5	15.9	13.2	-
	62	25.3	1.5	25.1	22.8	20.1	17.6	15.1	12.6	22.9	1.7	22.9	21.7	19.9	17.2	14.6	12.0
	57	24.7	1.5	24.7	23.0	21.7	19.2	16.7	14.2	22.9	1.7	22.9	22.1	20.8	18.2	15.5	12.9
800	77	33.2	1.4	12.4	9.1	6.3	-	-	-	31.5	1.7	14.1	10.9	8.0	-	-	-
	72	31.2	1.6	20.8	18.1	15.4	12.7	-	-	29.1	1.8	20.4	17.5	14.6	11.7	-	-
	67	29.2	1.8	29.2	27.1	24.4	21.7	19.0	-	26.7	1.9	26.7	24.1	21.2	18.3	15.4	-
	62	26.4	1.6	26.4	26.4	24.0	21.3	18.6	15.9	24.0	1.7	24.0	24.0	22.7	19.8	17.0	14.1
	57	25.8	1.6	25.8	25.8	23.1	20.4	17.7	-	24.1	1.7	24.1	24.1	23.8	20.9	18.0	15.1
900	72	31.8	1.8	21.0	17.8	14.6	11.4	-	-	29.4	1.9	21.1	17.8	14.6	11.3	-	-
	67	29.7	2.0	29.7	26.6	23.4	20.3	17.1	-	27.0	2.0	27.0	24.4	21.2	17.9	14.7	-
	62	26.9	1.7	26.9	26.9	23.9	20.7	17.5	14.3	24.3	1.8	24.3	24.3	22.7	19.5	16.2	13.0
	57	26.3	1.7	26.3	26.3	25.5	22.3	19.1	16.0	24.3	1.8	24.3	24.3	23.8	20.5	17.3	14.0
	72	32.4	1.9	21.2	17.5	13.9	10.2	-	-	29.7	2.0	21.8	18.2	14.6	11.0	-	-
1000	67	30.3	2.1	30.3	26.1	22.5	18.8	15.2	-	27.2	2.1	27.2	24.8	21.2	17.6	13.9	-
	62	27.4	1.9	27.4	27.4	23.7	20.1	16.4	12.8	24.6	1.9	24.6	24.6	22.7	19.1	15.5	11.9
	57	26.8	1.9	26.8	26.8	25.2	21.5	17.9	14.2	24.6	1.9	24.6	24.6	23.8	20.2	16.6	12.9
	72	32.4	1.9	21.2	17.5	13.9	10.2	-	-	29.7	2.0	21.8	18.2	14.6	11.0	-	-
	67	30.3	2.1	30.3	26.1	22.5	18.8	15.2	-	27.2	2.1	27.2	24.8	21.2	17.6	13.9	-
				95°F						105°F							
600	77	26.8	2.0	12.8	10.4	8.0	-	-	-	24.6	2.1	12.5	9.6	7.2	-	-	-
	72	24.3	1.9	16.2	13.8	11.4	9.0	-	-	21.9	2.1	15.3	12.9	10.5	8.0	-	-
	67	21.8	1.9	19.6	17.2	14.8	12.4	10.0	-	19.2	2.0	18.1	16.2	13.8	11.3	8.9	-
	62	19.5	1.9	19.5	19.5	17.7	15.3	12.9	10.5	18.3	2.0	18.3	18.3	16.3	13.8	11.4	9.0
	57	20.1	1.9	20.1	20.1	17.9	15.6	13.2	10.8	18.6	2.0	18.6	18.5	16.2	13.7	11.3	8.9
700	77	28.3	1.9	14.3	11.6	8.8	-	-	-	25.5	2.1	14.7	10.9	7.9	-	-	-
	72	25.6	1.9	18.1	15.3	12.6	9.9	-	-	22.7	2.1	17.0	14.3	11.5	8.7	-	-
	67	22.9	1.9	21.8	19.1	16.3	13.6	10.9	-	19.9	2.0	19.3	17.6	15.1	12.4	9.6	-
	62	20.6	1.9	20.6	20.6	19.6	16.9	14.1	11.4	18.9	2.0	18.9	18.9	17.9	15.1	12.4	9.6
	57	21.2	1.9	21.2	21.2	19.9	17.1	14.4	11.7	19.3	2.0	19.3	19.2	17.8	15.0	12.3	9.5
800	77	29.7	1.9	15.8	12.8	9.7	-	-	-	26.4	2.1	16.9	12.3	8.6	-	-	-
	72	26.9	1.9	20.0	16.9	13.8	10.7	-	-	23.5	2.1	18.8	15.7	12.5	9.4	-	-
	67	24.1	1.9	24.1	21.0	17.9	14.8	11.8	-	20.6	2.0	20.6	19.1	16.5	13.4	10.3	-
	62	21.6	1.9	21.6	21.6	21.5	18.4	15.3	12.3	19.6	2.0	19.6	19.6	19.5	16.4	13.3	10.2
	57	22.3	1.9	22.3	22.3	21.8	18.7	15.6	12.6	19.9	2.0	19.9	19.9	19.4	16.3	13.2	10.1
900	72	27.0	2.0	21.2	17.9	14.6	11.2	-	-	23.9	2.1	20.1	16.7	13.3	10.0	-	-
	67	24.2	2.0	24.1	22.2	18.9	15.6	12.2	-	20.9	2.1	20.9	19.9	17.6	14.2	10.8	-
	62	21.7	1.9	21.7	21.7	21.6	18.3	15.0	11.7	19.9	2.1	19.9	19.9	19.9	16.5	13.1	9.7
	57	22.3	1.9	22.3	22.3	22.1	18.8	15.4	12.1	20.3	2.1	20.3	20.3	20.0	16.6	13.2	9.8
	72	27.0	2.1	22.5	18.9	15.3	11.7	-	-	24.2	2.2	21.4	17.8	14.1	10.5	-	-
1000	67	24.2	2.1	24.2	23.4	19.9	16.3	12.7	-	21.2	2.2	21.2	20.8	18.6	14.9	11.3	-
	62	21.8	2.0	21.8	21.8	21.8	18.2	14.6	11.0	20.2	2.2	20.2	20.2	20.2	16.6	12.9	9.3
	57	22.4	2.0	22.4	22.4	22.4	18.8	15.2	11.7	20.6	2.2	20.6	20.6	20.6	16.9	13.3	9.6
	72	27.0	2.1	22.5	18.9	15.3	11.7	-	-	24.2	2.2	21.4	17.8	14.1	10.5	-	-
	67	24.2	2.1	24.2	23.4	19.9	16.3	12.7	-	21.2	2.2	21.2	20.8	18.6	14.9	11.3	-

## DEZ024 (2.0 Ton) (Continued)

Air on Evaporator Coil		Temperature of Air on Condenser Coil																	
CFM	WB (°F)	Net Capacity <sup>1</sup> (MBh)	Total Input (kW) <sup>2</sup>	Sensible Capacity (MBh)								Net Capacity <sup>1</sup> (MBh)	Total Input (kW) <sup>2</sup>	Sensible Capacity (MBh)					
				Return Dry Bulb (°F)										Return Dry Bulb (°F)					
				90	85	80	75	70	65	90	85			80	75	70	65		
				<b>115°F</b>								<b>125°F</b>							
600	77	22.4	2.3	12.3	8.8	6.3	-	-	-	20.1	2.4	13.1	8.2	5.5	-	-	-		
	72	19.5	2.2	14.4	12.0	9.5	7.1	-	-	17.0	2.4	13.5	11.1	8.6	6.1	-	-		
	67	16.6	2.2	16.6	15.2	12.7	10.3	7.9	-	13.9	2.3	13.9	13.9	11.7	9.3	6.8	-		
	62	17.0	2.2	17.0	17.0	14.8	12.4	9.9	7.5	15.7	2.3	15.7	15.7	13.4	10.9	8.4	6.0		
57	17.0	2.2	17.0	16.8	14.4	11.9	9.5	7.0	15.5	2.3	15.5	15.2	12.6	10.1	7.7	5.2			
700	77	22.8	2.3	15.2	10.3	6.9	-	-	-	20.0	2.4	16.1	10.5	6.0	-	-	-		
	72	19.8	2.2	16.0	13.2	10.4	7.6	-	-	16.9	2.4	15.0	12.1	9.3	6.5	-	-		
	67	16.8	2.2	16.8	16.2	13.9	11.1	8.3	-	13.8	2.3	13.8	13.8	12.7	9.9	7.1	-		
	62	17.2	2.1	17.2	17.2	16.2	13.4	10.6	7.8	15.6	2.3	15.6	15.6	14.5	11.6	8.8	6.0		
57	17.3	2.1	17.3	17.2	15.7	12.9	10.1	7.3	15.4	2.3	15.4	15.2	13.6	10.8	8.0	5.2			
800	77	23.1	2.3	18.0	11.7	7.5	-	-	-	19.9	2.4	19.1	12.8	6.4	-	-	-		
	72	20.1	2.2	17.6	14.4	11.3	8.2	-	-	16.7	2.3	16.4	13.2	10.0	6.9	-	-		
	67	17.1	2.2	17.1	17.1	15.1	12.0	8.8	-	13.6	2.3	13.6	13.6	13.6	10.5	7.3	-		
	62	17.5	2.1	17.5	17.5	17.5	14.4	11.3	8.1	15.5	2.3	15.5	15.5	15.5	12.4	9.2	6.0		
57	17.6	2.1	17.6	17.6	17.0	13.9	10.7	7.6	15.3	2.3	15.3	15.3	14.7	11.5	8.3	5.1			
900	72	20.8	2.3	19.0	15.6	12.1	8.7	-	-	17.7	2.4	17.7	14.4	10.9	7.4	-	-		
	67	17.7	2.2	17.7	17.7	16.2	12.8	9.3	-	14.4	2.4	14.4	14.4	14.4	11.4	7.9	-		
	62	18.1	2.2	18.1	18.1	18.1	14.7	11.2	7.8	16.3	2.4	16.3	16.3	16.3	12.9	9.4	5.9		
	57	18.2	2.2	18.2	18.2	17.9	14.5	11.0	7.6	16.1	2.4	16.1	16.1	15.8	12.3	8.8	5.3		
1000	72	21.4	2.4	20.4	16.7	13.0	9.2	-	-	18.6	2.5	18.6	15.6	11.8	8.0	-	-		
	67	18.2	2.3	18.2	18.2	17.3	13.6	9.9	-	15.2	2.5	15.2	15.2	15.2	12.3	8.4	-		
	62	18.7	2.3	18.7	18.7	18.7	14.9	11.2	7.5	17.1	2.5	17.1	17.1	17.1	13.3	9.5	5.7		
	57	18.8	2.3	18.8	18.8	18.8	15.0	11.3	7.6	17.0	2.4	17.0	17.0	17.0	13.2	9.3	5.5		

1. These capacities are Net Capacities.

2. These ratings include the compressor, condenser fan and supply air blower motors.

**DEZ030 (2.5 Ton)**

Air on Evaporator Coil		Temperature of Air on Condenser Coil															
CFM	WB (°F)	Net Capacity <sup>1</sup> (MBh)	Total Input (kW) <sup>2</sup>	Sensible Capacity (MBh)						Net Capacity <sup>1</sup> (MBh)	Total Input (kW) <sup>2</sup>	Sensible Capacity (MBh)					
				Return Dry Bulb (°F)								Return Dry Bulb (°F)					
				90	85	80	75	70	65			90	85	80	75	70	65
				<b>75°F</b>						<b>85°F</b>							
750	77	35.0	2.5	16.1	13.5	11.0	-	-	-	33.8	2.7	15.7	13.0	10.4	-	-	-
	72	33.6	2.4	20.8	18.2	15.6	13.1	-	-	31.9	2.6	20.2	17.5	14.9	12.2	-	-
	67	32.2	2.4	25.5	22.9	20.3	17.8	15.2	-	30.0	2.6	24.6	22.0	19.4	16.7	14.1	-
	62	29.9	2.4	29.9	26.9	24.3	21.7	19.2	16.6	27.5	2.5	27.5	25.9	23.3	20.6	18.0	15.3
	57	29.9	2.4	29.9	29.9	28.1	25.6	23.0	20.4	27.8	2.5	27.8	27.8	25.9	23.3	20.6	18.0
875	77	35.9	2.5	17.4	14.5	11.6	-	-	-	34.8	2.7	17.1	14.1	11.1	-	-	-
	72	34.5	2.4	22.4	19.5	16.6	13.7	-	-	32.9	2.6	21.9	18.9	15.9	12.9	-	-
	67	33.1	2.4	27.4	24.5	21.6	18.7	15.8	-	30.9	2.6	26.7	23.7	20.7	17.7	14.8	-
	62	30.7	2.4	30.7	29.2	25.8	22.9	20.0	17.2	28.4	2.5	28.4	27.6	24.9	21.9	18.9	15.9
	57	30.7	2.3	30.7	30.7	29.9	27.0	24.1	21.2	28.6	2.5	28.6	28.6	27.7	24.7	21.8	18.8
1000	77	36.8	2.4	18.7	15.5	12.3	-	-	-	35.9	2.7	18.4	15.1	11.8	-	-	-
	72	35.4	2.4	24.0	20.8	17.6	14.4	-	-	33.9	2.6	23.6	20.2	16.9	13.6	-	-
	67	34.0	2.4	29.3	26.1	22.9	19.7	16.5	-	31.9	2.6	28.7	25.4	22.0	18.7	15.4	-
	62	31.5	2.3	31.5	31.5	27.3	24.1	20.9	17.7	29.2	2.5	29.2	29.2	26.5	23.2	19.9	16.6
	57	31.5	2.3	31.5	31.5	31.5	28.5	25.3	22.0	29.5	2.5	29.5	29.5	29.5	26.2	22.9	19.6
1125	72	35.9	2.5	25.0	21.7	18.3	15.0	-	-	34.2	2.7	24.6	21.1	17.6	14.2	-	-
	67	34.4	2.4	30.8	27.2	23.8	20.5	17.2	-	32.2	2.6	29.9	26.4	23.0	19.5	16.0	-
	62	31.9	2.4	31.9	31.9	28.7	25.4	22.0	18.7	29.5	2.6	29.5	29.5	27.6	24.1	20.6	17.2
	57	32.0	2.4	32.0	32.0	28.7	25.3	22.0	-	29.8	2.6	29.8	29.8	29.8	26.3	22.9	19.4
	72	36.4	2.5	26.0	22.6	19.1	15.6	-	-	34.6	2.7	25.6	22.0	18.4	14.7	-	-
1250	67	34.9	2.5	32.2	28.3	24.8	21.3	17.8	-	32.5	2.7	31.2	27.5	23.9	20.2	16.6	-
	62	32.4	2.4	32.4	32.4	30.1	26.6	23.2	19.7	29.8	2.6	29.8	29.8	28.7	25.1	21.4	17.8
	57	32.4	2.4	32.4	32.4	32.4	28.9	25.4	22.0	30.1	2.6	30.1	30.1	30.1	26.5	22.8	19.2
					<b>95°F</b>						<b>105°F</b>						
	750	77	32.5	2.9	15.2	12.5	9.8	-	-	-	30.8	3.1	14.8	12.0	9.2	-	-
72		30.1	2.8	19.5	16.8	14.1	11.4	-	-	27.9	3.0	18.9	16.1	13.3	10.5	-	-
67		27.7	2.8	23.8	21.1	18.4	15.7	12.9	-	25.1	2.9	23.1	20.3	17.5	14.7	11.9	-
62		25.1	2.7	25.1	24.9	22.2	19.5	16.8	14.1	22.7	2.9	22.7	22.6	20.3	17.5	14.7	11.9
57		25.6	2.7	25.6	25.6	23.7	21.0	18.3	15.5	23.8	2.9	23.8	23.8	21.8	19.0	16.2	13.4
875	77	33.7	2.9	16.7	13.6	10.6	-	-	-	31.5	3.1	16.7	12.9	9.8	-	-	-
	72	31.2	2.8	21.3	18.3	15.2	12.1	-	-	28.6	3.0	20.5	17.4	14.2	11.1	-	-
	67	28.8	2.8	25.9	22.9	19.8	16.7	13.7	-	25.8	2.9	24.3	21.8	18.7	15.6	12.4	-
	62	26.0	2.7	26.0	25.9	23.9	20.9	17.8	14.7	23.3	2.9	23.3	23.2	21.8	18.6	15.5	12.3
	57	26.6	2.7	26.6	26.6	25.5	22.5	19.4	16.3	24.4	2.9	24.4	24.4	23.3	20.2	17.1	13.9
1000	77	34.9	2.9	18.1	14.7	11.3	-	-	-	32.3	3.1	18.7	13.9	10.4	-	-	-
	72	32.4	2.8	23.1	19.7	16.3	12.9	-	-	29.3	3.0	22.1	18.7	15.2	11.7	-	-
	67	29.8	2.7	28.0	24.6	21.2	17.8	14.4	-	26.4	2.9	25.5	23.4	19.9	16.4	13.0	-
	62	27.0	2.7	27.0	27.0	25.6	22.2	18.8	15.4	23.8	2.9	23.8	23.8	23.2	19.7	16.2	12.8
	57	27.5	2.7	27.5	27.5	27.4	24.0	20.5	17.1	25.0	2.9	25.0	25.0	24.9	21.4	17.9	14.5
1125	72	32.5	2.9	24.2	20.6	16.9	13.3	-	-	29.8	3.0	23.4	19.7	16.0	12.3	-	-
	67	29.9	2.8	29.1	25.7	22.1	18.5	14.9	-	26.8	3.0	26.4	24.5	21.0	17.2	13.5	-
	62	27.1	2.7	27.1	27.1	26.5	22.9	19.2	15.6	24.2	2.9	24.2	24.2	23.9	20.2	16.5	12.8
	57	27.7	2.7	27.7	27.7	27.6	24.0	20.4	16.8	25.4	2.9	25.4	25.4	25.3	21.6	17.9	14.2
	72	32.7	2.9	25.3	21.4	17.6	13.8	-	-	30.3	3.1	24.7	20.7	16.8	12.8	-	-
1250	67	30.1	2.8	30.1	26.8	23.0	19.2	15.3	-	27.2	3.0	27.2	25.6	22.0	18.1	14.1	-
	62	27.3	2.8	27.3	27.3	27.3	23.5	19.6	15.8	24.6	3.0	24.6	24.6	24.6	20.7	16.7	12.7
	57	27.8	2.8	27.8	27.8	27.8	24.0	20.2	16.4	25.8	3.0	25.8	25.8	25.8	21.9	17.9	13.9

## DEZ030 (2.5 Ton) (Continued)

Air on Evaporator Coil		Temperature of Air on Condenser Coil															
		Net Capacity <sup>1</sup> (MBh)	Total Input (kW) <sup>2</sup>	Sensible Capacity (MBh)						Net Capacity <sup>1</sup> (MBh)	Total Input (kW) <sup>2</sup>	Sensible Capacity (MBh)					
				Return Dry Bulb (°F)								Return Dry Bulb (°F)					
				90	85	80	75	70	65			90	85	80	75	70	65
<b>115°F</b>										<b>125°F</b>							
750	77	29.0	3.3	14.3	11.4	8.5	-	-	-	27.2	3.5	15.5	10.8	7.9	-	-	-
	72	25.7	3.2	18.3	15.4	12.5	9.6	-	-	23.5	3.4	17.7	14.7	11.7	8.8	-	-
	67	22.5	3.1	22.3	19.4	16.5	13.7	10.8	-	19.9	3.3	19.9	18.6	15.6	12.7	9.7	-
	62	20.3	3.1	20.3	20.3	18.4	15.6	12.7	9.8	17.9	3.3	17.9	17.9	16.6	13.6	10.6	7.6
57	22.0	3.1	22.0	22.0	19.9	17.0	14.1	11.3	20.2	3.3	20.2	20.2	18.0	15.1	12.1	9.1	-
875	77	29.3	3.3	16.8	12.3	9.0	-	-	-	27.1	3.5	18.1	12.2	8.3	-	-	-
	72	26.0	3.2	19.7	16.5	13.3	10.1	-	-	23.4	3.4	18.9	15.7	12.4	9.1	-	-
	67	22.8	3.1	22.7	20.8	17.6	14.4	11.1	-	19.8	3.3	19.8	19.7	16.5	13.2	9.9	-
	62	20.5	3.1	20.5	20.5	19.6	16.4	13.2	10.0	17.7	3.2	17.7	17.7	17.4	14.1	10.8	7.6
57	22.2	3.1	22.2	22.2	21.2	17.9	14.7	11.5	20.1	3.3	20.1	20.1	19.0	15.7	12.4	9.1	-
1000	77	29.6	3.3	19.3	13.1	9.6	-	-	-	27.0	3.5	20.7	13.5	8.7	-	-	-
	72	26.3	3.2	21.2	17.6	14.1	10.5	-	-	23.3	3.4	20.2	16.6	13.0	9.4	-	-
	67	23.0	3.1	23.0	22.1	18.6	15.1	11.5	-	19.6	3.3	19.6	19.6	17.3	13.7	10.1	-
	62	20.7	3.0	20.7	20.7	20.7	17.2	13.7	10.1	17.6	3.2	17.6	17.6	17.6	14.7	11.1	7.5
57	22.5	3.1	22.5	22.5	22.4	18.9	15.3	11.8	20.0	3.2	20.0	20.0	19.9	16.3	12.7	9.1	-
1125	72	27.1	3.2	22.6	18.8	15.0	11.2	-	-	24.4	3.4	21.9	17.9	14.0	10.1	-	-
	67	23.7	3.1	23.7	23.2	19.8	16.0	12.2	-	20.6	3.3	20.6	20.6	18.7	14.8	10.9	-
	62	21.3	3.1	21.3	21.3	21.3	17.5	13.7	9.9	18.4	3.3	18.4	18.4	14.9	10.9	7.0	-
	57	23.1	3.1	23.1	23.1	23.1	19.3	15.5	11.7	20.9	3.3	20.9	20.9	20.8	16.9	13.0	9.1
1250	72	27.8	3.3	24.1	20.0	15.9	11.8	-	-	25.4	3.5	23.5	19.3	15.1	10.9	-	-
	67	24.4	3.2	24.4	24.4	21.0	17.0	12.9	-	21.5	3.4	21.5	21.5	20.1	15.8	11.6	-
	62	21.9	3.1	21.9	21.9	21.9	17.8	13.8	9.7	19.3	3.3	19.3	19.3	19.3	15.0	10.8	6.6
	57	23.8	3.2	23.8	23.8	23.8	19.7	15.6	11.5	21.8	3.4	21.8	21.8	21.8	17.5	13.3	9.1

1. These capacities are Net Capacities.

2. These ratings include the compressor, condenser fan and supply air blower motors.

**DEZ036 (3.0 Ton)**

Air on Evaporator Coil		Temperature of Air on Condenser Coil															
CFM	WB (°F)	Net Capacity <sup>1</sup> (MBh)	Total Input (kW) <sup>2</sup>	Sensible Capacity (MBh)						Net Capacity <sup>1</sup> (MBh)	Total Input (kW) <sup>2</sup>	Sensible Capacity (MBh)					
				Return Dry Bulb (°F)								Return Dry Bulb (°F)					
				90	85	80	75	70	65			90	85	80	75	70	65
				<b>75°F</b>						<b>85°F</b>							
900	77	43.2	2.5	19.7	16.7	13.7	-	-	-	41.2	2.7	19.1	16.1	13.0	-	-	-
	72	40.7	2.5	25.6	22.6	19.7	16.7	-	-	38.4	2.7	24.8	21.7	18.7	15.6	-	-
	67	38.2	2.4	31.5	28.5	25.6	22.6	19.6	-	35.6	2.6	30.4	27.4	24.3	21.3	18.2	-
	62	35.5	2.4	35.5	32.5	31.4	28.5	25.5	22.5	33.3	2.6	33.3	33.2	30.1	27.1	24.0	21.0
	57	35.6	2.4	35.6	35.6	33.7	30.7	27.7	24.7	33.3	2.6	33.3	33.3	31.4	28.3	25.3	22.2
1050	77	44.2	2.6	21.1	17.8	14.5	-	-	-	42.2	2.8	20.6	17.2	13.8	-	-	-
	72	41.7	2.6	27.3	24.0	20.7	17.4	-	-	39.3	2.8	26.5	23.1	19.7	16.4	-	-
	67	39.1	2.5	33.6	30.3	27.0	23.7	20.4	-	36.4	2.7	32.5	29.1	25.7	22.3	18.9	-
	62	36.4	2.5	36.4	36.2	33.1	29.8	26.5	23.3	34.1	2.7	34.1	34.0	31.8	28.5	25.1	21.7
	57	36.5	2.5	36.5	36.5	35.5	32.2	28.9	25.6	34.1	2.7	34.1	34.1	33.2	29.8	26.4	23.0
1200	77	45.3	2.7	22.5	18.9	15.2	-	-	-	43.2	2.9	22.0	18.2	14.5	-	-	-
	72	42.7	2.6	29.0	25.4	21.8	18.2	-	-	40.3	2.9	28.3	24.5	20.8	17.1	-	-
	67	40.0	2.6	35.6	32.0	28.4	24.7	21.1	-	37.3	2.8	34.6	30.8	27.1	23.4	19.6	-
	62	37.2	2.6	37.2	37.2	34.9	31.2	27.6	24.0	34.9	2.8	34.9	34.9	33.6	29.8	26.1	22.4
	57	37.3	2.6	37.3	37.3	37.3	33.7	30.1	26.5	34.9	2.8	34.9	34.9	34.9	31.2	27.5	23.8
1300	72	42.7	2.7	29.5	25.8	22.0	18.2	-	-	40.3	2.9	29.0	25.1	21.1	17.2	-	-
	67	40.1	2.7	36.7	32.4	28.6	24.8	21.0	-	37.3	2.9	35.4	31.5	27.5	23.6	19.6	-
	62	37.2	2.6	37.2	37.2	35.6	31.8	28.0	24.2	35.0	2.8	35.0	35.0	34.1	30.1	26.2	22.3
	57	37.4	2.6	37.4	37.4	37.4	33.6	29.8	26.0	35.0	2.9	35.0	35.0	35.0	31.1	27.1	23.2
	72	42.7	2.8	30.1	26.1	22.1	18.2	-	-	40.4	3.0	29.7	25.6	21.4	17.3	-	-
1400	67	40.1	2.8	37.8	32.8	28.8	24.8	20.9	-	37.4	3.0	36.2	32.1	27.9	23.8	19.6	-
	62	37.3	2.7	37.3	37.3	36.4	32.4	28.5	24.5	35.0	2.9	35.0	35.0	34.6	30.4	26.3	22.1
	57	37.4	2.7	37.4	37.4	37.4	33.4	29.5	25.5	35.0	2.9	35.0	35.0	35.0	30.9	26.8	22.6
					<b>95°F</b>						<b>105°F</b>						
	900	77	39.3	3.0	18.6	15.5	12.3	-	-	-	36.3	3.2	17.5	14.3	11.1	-	-
72		36.1	2.9	24.0	20.8	17.7	14.6	-	-	33.0	3.1	22.7	19.5	16.3	13.2	-	-
67		32.9	2.8	29.3	26.2	23.1	20.0	16.8	-	29.7	3.0	27.9	24.7	21.6	18.4	15.2	-
62		31.1	2.8	31.1	31.1	28.8	25.7	22.6	19.4	28.2	3.0	28.2	28.2	25.8	22.7	19.5	16.3
57		31.1	2.8	31.1	31.1	29.1	25.9	22.8	19.7	28.1	3.0	28.1	28.1	25.9	22.8	19.6	16.4
1050	77	40.2	3.1	20.0	16.6	13.1	-	-	-	37.2	3.3	19.9	15.4	11.9	-	-	-
	72	37.0	3.0	25.7	22.3	18.8	15.3	-	-	33.8	3.2	24.6	21.0	17.5	13.9	-	-
	67	33.7	2.9	31.4	28.0	24.5	21.0	17.5	-	30.4	3.1	29.3	26.6	23.0	19.5	15.9	-
	62	31.9	2.9	31.9	31.9	30.5	27.1	23.6	20.1	28.9	3.1	28.9	28.9	27.6	24.1	20.5	16.9
	57	31.8	2.9	31.8	31.8	30.8	27.3	23.9	20.4	28.8	3.1	28.8	28.8	27.7	24.2	20.6	17.0
1200	77	41.2	3.2	21.5	17.6	13.8	-	-	-	38.1	3.4	22.3	16.6	12.7	-	-	-
	72	37.8	3.1	27.5	23.7	19.8	16.0	-	-	34.6	3.3	26.5	22.5	18.6	14.7	-	-
	67	34.5	3.0	33.5	29.7	25.9	22.0	18.2	-	31.1	3.2	30.6	28.5	24.5	20.6	16.7	-
	62	32.6	3.0	32.6	32.6	32.3	28.4	24.6	20.8	29.6	3.2	29.6	29.6	29.4	25.5	21.5	17.6
	57	32.5	3.0	32.5	32.5	32.5	28.7	24.9	21.0	29.5	3.2	29.5	29.5	29.5	25.6	21.6	17.7
1300	72	37.9	3.2	28.5	24.4	20.3	16.2	-	-	34.7	3.4	27.4	23.3	19.1	14.9	-	-
	67	34.6	3.1	34.1	30.5	26.5	22.4	18.3	-	31.2	3.3	30.9	29.0	25.1	21.0	16.8	-
	62	32.7	3.1	32.7	32.7	32.5	28.4	24.4	20.3	29.6	3.3	29.6	29.6	29.5	25.3	21.1	16.9
	57	32.6	3.1	32.6	32.6	32.6	28.5	24.5	20.4	29.5	3.3	29.5	29.5	29.5	25.3	21.1	17.0
	72	38.0	3.3	29.4	25.1	20.8	16.4	-	-	34.7	3.5	28.4	24.0	19.5	15.1	-	-
1400	67	34.7	3.2	34.7	31.4	27.1	22.7	18.4	-	31.2	3.4	31.2	29.6	25.7	21.3	16.8	-
	62	32.8	3.1	32.8	32.8	32.8	28.5	24.1	19.8	29.6	3.3	29.6	29.6	29.6	25.2	20.8	16.3
	57	32.7	3.1	32.7	32.7	32.7	28.4	24.0	19.7	29.6	3.3	29.6	29.6	29.6	25.1	20.7	16.2

## DEZ036 (3.0 Ton) (Continued)

Air on Evaporator Coil		Temperature of Air on Condenser Coil															
CFM	WB (°F)	Net Capacity <sup>1</sup> (MBh)	Total Input (kW) <sup>2</sup>	Sensible Capacity (MBh)						Net Capacity <sup>1</sup> (MBh)	Total Input (kW) <sup>2</sup>	Sensible Capacity (MBh)					
				Return Dry Bulb (°F)								Return Dry Bulb (°F)					
				90	85	80	75	70	65			90	85	80	75	70	65
				<b>115°F</b>						<b>125°F</b>							
900	77	33.4	3.4	16.4	13.1	9.9	-	-	-	30.4	3.6	17.0	12.0	8.7	-	-	-
	72	29.9	3.3	21.4	18.2	15.0	11.7	-	-	26.8	3.5	20.1	16.8	13.6	10.3	-	-
	67	26.4	3.2	26.4	23.2	20.0	16.8	13.6	-	23.2	3.4	23.2	21.7	18.5	15.2	11.9	-
	62	25.3	3.2	25.3	25.3	22.9	19.6	16.4	13.2	22.3	3.4	22.3	22.3	19.9	16.6	13.3	10.1
	57	25.2	3.2	25.2	25.2	22.8	19.6	16.3	13.1	22.3	3.4	22.3	22.3	19.6	16.4	13.1	9.8
1050	77	34.2	3.5	19.8	14.3	10.7	-	-	-	31.2	3.7	20.8	14.1	9.5	-	-	-
	72	30.7	3.4	23.4	19.8	16.2	12.5	-	-	27.5	3.6	22.3	18.6	14.9	11.1	-	-
	67	27.1	3.3	27.1	25.3	21.6	18.0	14.4	-	23.8	3.5	23.8	23.8	20.2	16.5	12.8	-
	62	25.9	3.3	25.9	25.9	24.7	21.1	17.4	13.8	22.9	3.5	22.9	22.9	21.8	18.1	14.3	10.6
	57	25.8	3.3	25.8	25.8	24.6	21.0	17.4	13.7	22.8	3.5	22.8	22.8	21.5	17.8	14.1	10.4
1200	77	35.1	3.6	23.2	15.6	11.5	-	-	-	32.0	3.9	24.6	16.2	10.4	-	-	-
	72	31.4	3.5	25.5	21.4	17.4	13.3	-	-	28.2	3.7	24.5	20.3	16.1	12.0	-	-
	67	27.8	3.4	27.8	27.3	23.2	19.2	15.1	-	24.4	3.6	24.4	24.4	21.9	17.8	13.6	-
	62	26.5	3.4	26.5	26.5	26.5	22.5	18.4	14.4	23.5	3.6	23.5	23.5	23.5	19.5	15.4	11.2
	57	26.5	3.4	26.5	26.5	26.5	22.4	18.4	14.3	23.4	3.6	23.4	23.4	23.4	19.3	15.1	10.9
1300	72	31.4	3.6	26.4	22.1	17.8	13.5	-	-	28.1	3.8	25.4	21.0	16.6	12.2	-	-
	67	27.7	3.5	27.7	27.5	23.8	19.5	15.2	-	24.3	3.7	24.3	24.3	22.5	18.1	13.7	-
	62	26.5	3.5	26.5	26.5	26.5	22.2	17.9	13.6	23.4	3.7	23.4	23.4	23.4	19.1	14.7	10.3
		57	26.4	3.5	26.4	26.4	26.4	22.1	17.8	13.5	23.4	3.7	23.4	23.4	23.4	18.9	14.5
1400	72	31.4	3.7	27.4	22.8	18.3	13.7	-	-	28.0	3.9	26.4	21.7	17.0	12.3	-	-
	67	27.7	3.6	27.7	27.7	24.4	19.9	15.3	-	24.2	3.8	24.2	24.2	23.1	18.4	13.8	-
	62	26.5	3.6	26.5	26.5	26.5	21.9	17.4	12.8	23.4	3.8	23.4	23.4	23.4	18.7	14.0	9.3
		57	26.4	3.6	26.4	26.4	26.4	21.9	17.3	12.7	23.3	3.8	23.3	23.3	23.3	18.6	13.9

1. These capacities are Net Capacities.

2. These ratings include the compressor, condenser fan and supply air blower motors.

**DEZ042 (3.5 Ton)**

Air on Evaporator Coil		Temperature of Air on Condenser Coil																		
CFM	WB (°F)	Net Capacity <sup>1</sup> (MBh)	Total Input (kW) <sup>2</sup>	Sensible Capacity (MBh)						Net Capacity <sup>1</sup> (MBh)	Total Input (kW) <sup>2</sup>	Sensible Capacity (MBh)								
				Return Dry Bulb (°F)								Return Dry Bulb (°F)								
				90	85	80	75	70	65			90	85	80	75	70	65			
				<b>75°F</b>								<b>85°F</b>								
1050	77	52.2	3.2	23.4	19.2	15.0	-	-	-	48.8	3.4	22.6	18.3	14.1	-	-	-			
	72	48.2	3.1	29.9	25.7	21.5	17.2	-	-	44.8	3.3	28.9	24.6	20.3	16.0	-	-			
	67	44.2	3.0	36.4	32.2	27.9	23.7	19.5	-	40.7	3.3	35.1	30.8	26.5	22.3	18.0	-			
	62	40.5	3.0	40.5	39.1	33.6	29.3	25.1	20.9	37.0	3.2	37.0	36.3	32.0	27.7	23.4	19.2			
	57	37.5	3.0	37.5	37.5	34.2	29.9	25.7	21.5	35.2	3.2	35.2	35.2	32.0	27.7	23.5	19.2			
1225	77	54.7	3.2	25.7	21.3	16.5	-	-	-	51.3	3.4	25.3	20.4	15.5	-	-	-			
	72	50.5	3.1	33.2	28.4	23.6	18.8	-	-	47.1	3.4	32.2	27.3	22.4	17.5	-	-			
	67	46.3	3.0	40.7	35.6	30.8	26.0	21.2	-	42.8	3.3	39.1	34.2	29.3	24.4	19.5	-			
	62	42.5	3.0	42.5	41.8	37.0	32.2	27.4	22.6	38.9	3.3	38.9	38.5	35.4	30.5	25.6	20.7			
	57	39.3	3.0	39.3	39.3	37.7	32.9	28.1	23.3	36.9	3.2	36.9	36.9	35.4	30.5	25.6	20.7			
1400	77	57.3	3.2	28.1	23.4	18.0	-	-	-	53.8	3.4	28.1	22.5	17.0	-	-	-			
	72	52.9	3.1	36.5	31.2	25.8	20.5	-	-	49.4	3.4	35.6	30.1	24.6	19.1	-	-			
	67	48.5	3.0	45.0	39.0	33.6	28.3	22.9	-	44.9	3.3	43.2	37.6	32.1	26.6	21.1	-			
	62	44.5	3.0	44.5	44.5	40.4	35.0	29.7	24.3	40.8	3.3	40.8	40.8	38.7	33.2	27.7	22.2			
	57	41.1	3.0	41.1	41.1	41.1	35.8	30.4	25.1	38.7	3.3	38.7	38.7	38.7	33.2	27.7	22.2			
1550	72	53.1	3.2	38.3	32.6	26.8	21.0	-	-	49.5	3.5	37.5	31.6	25.6	19.7	-	-			
	67	48.7	3.1	47.0	40.7	34.9	29.1	23.3	-	45.0	3.4	44.1	39.5	33.5	27.6	21.6	-			
	62	44.7	3.1	44.7	44.7	42.7	36.9	31.1	25.3	40.9	3.4	40.9	40.9	39.9	33.9	28.0	22.0			
	57	41.3	3.1	41.3	41.3	41.3	35.6	29.8	24.0	38.9	3.3	38.9	38.9	38.9	32.9	27.0	21.0			
	72	53.4	3.3	40.1	33.9	27.7	21.6	-	-	49.6	3.6	39.5	33.1	26.7	20.3	-	-			
1700	67	48.9	3.2	48.9	42.3	36.1	29.9	23.7	-	45.1	3.5	45.1	41.3	34.9	28.5	22.1	-			
	62	44.9	3.2	44.9	44.9	44.9	38.7	32.5	26.3	41.0	3.5	41.0	41.0	41.0	34.6	28.2	21.8			
	57	41.5	3.2	41.5	41.5	41.5	35.4	29.2	23.0	39.0	3.4	39.0	39.0	39.0	32.6	26.2	19.8			
					<b>95°F</b>								<b>105°F</b>							
	1050	77	45.5	3.6	21.8	17.5	13.2	-	-	-	41.7	3.9	21.6	16.3	12.0	-	-	-		
72		41.4	3.6	27.8	23.5	19.2	14.8	-	-	37.3	3.8	26.3	22.0	17.7	13.4	-	-			
67		37.3	3.5	33.8	29.5	25.2	20.8	16.5	-	32.8	3.7	31.1	27.7	23.4	19.1	14.8	-			
62		33.4	3.5	33.4	33.4	30.4	26.1	21.8	17.5	30.1	3.7	30.1	30.1	27.3	23.0	18.7	14.4			
57		32.8	3.5	32.8	32.8	29.8	25.5	21.2	16.9	29.7	3.7	29.7	29.7	26.9	22.6	18.3	13.9			
1225	77	48.0	3.7	24.9	19.6	14.6	-	-	-	44.1	3.9	25.7	18.6	13.4	-	-	-			
	72	43.6	3.6	31.2	26.2	21.3	16.3	-	-	39.4	3.8	29.8	24.8	19.8	14.8	-	-			
	67	39.3	3.6	37.5	32.9	27.9	22.9	17.9	-	34.7	3.8	33.9	30.9	26.2	21.2	16.2	-			
	62	35.2	3.5	35.2	35.2	33.7	28.7	23.7	18.7	31.8	3.7	31.8	31.8	30.4	25.4	20.4	15.5			
	57	34.6	3.5	34.6	34.6	33.1	28.1	23.1	18.1	31.4	3.7	31.4	31.4	30.0	25.0	20.0	15.0			
1400	77	50.4	3.7	28.1	21.7	16.0	-	-	-	46.4	4.0	29.8	20.9	14.8	-	-	-			
	72	45.9	3.6	34.7	29.0	23.3	17.7	-	-	41.5	3.9	33.2	27.5	21.8	16.2	-	-			
	67	41.3	3.6	41.3	36.3	30.6	25.0	19.3	-	36.6	3.8	36.6	34.1	28.9	23.2	17.5	-			
	62	37.0	3.5	37.0	37.0	37.0	31.4	25.7	20.0	33.6	3.7	33.6	33.6	33.6	27.9	22.2	16.6			
	57	36.3	3.5	36.3	36.3	36.3	30.7	25.0	19.3	33.1	3.7	33.1	33.1	33.1	27.4	21.7	16.1			
1550	72	45.9	3.7	36.7	30.6	24.5	18.4	-	-	41.5	4.0	35.3	29.2	23.0	16.8	-	-			
	67	41.3	3.7	41.3	38.3	32.1	26.0	19.9	-	36.6	3.9	36.6	35.1	30.4	24.2	18.1	-			
	62	37.1	3.6	37.1	37.1	37.1	30.9	24.8	18.7	33.6	3.8	33.6	33.6	33.6	27.4	21.2	15.1			
	57	36.4	3.6	36.4	36.4	36.4	30.2	24.1	18.0	33.1	3.8	33.1	33.1	33.1	26.9	20.8	14.6			
	72	45.9	3.8	38.8	32.2	25.6	19.0	-	-	41.6	4.1	37.5	30.8	24.2	17.5	-	-			
1700	67	41.3	3.7	41.3	40.2	33.6	27.1	20.5	-	36.6	4.0	36.6	36.1	31.9	25.3	18.6	-			
	62	37.1	3.7	37.1	37.1	37.1	30.5	23.9	17.3	33.6	3.9	33.6	33.6	33.6	26.9	20.3	13.6			
	57	36.4	3.7	36.4	36.4	36.4	29.8	23.2	16.6	33.1	3.9	33.1	33.1	33.1	26.4	19.8	13.1			



## DEZ042 (3.5 Ton) (Continued)

Air on Evaporator Coil		Temperature of Air on Condenser Coil															
		Net Capacity <sup>1</sup> (MBh)	Total Input (kW) <sup>2</sup>	Sensible Capacity (MBh)						Net Capacity <sup>1</sup> (MBh)	Total Input (kW) <sup>2</sup>	Sensible Capacity (MBh)					
				Return Dry Bulb (°F)								Return Dry Bulb (°F)					
				90	85	80	75	70	65			90	85	80	75	70	65
<b>115°F</b>										<b>125°F</b>							
1050	77	37.8	4.2	21.3	15.2	10.9	-	-	-	34.0	4.4	22.8	14.3	9.8	-	-	-
	72	33.1	4.0	24.9	20.6	16.3	12.0	-	-	29.0	4.3	23.4	19.1	14.9	10.6	-	-
	67	28.4	3.9	28.4	26.0	21.7	17.4	13.1	-	24.0	4.1	24.0	24.0	20.0	15.7	11.5	-
	62	26.8	3.9	26.8	26.8	24.1	19.8	15.5	11.2	23.5	4.1	23.5	23.5	21.0	16.7	12.4	8.1
57	26.5	3.9	26.5	26.5	23.9	19.6	15.3	11.0	23.4	4.1	23.4	23.4	20.9	16.6	12.4	8.1	
1225	77	40.2	4.2	26.4	17.7	12.2	-	-	-	36.3	4.5	28.0	18.1	11.1	-	-	-
	72	35.2	4.1	28.3	23.3	18.3	13.3	-	-	30.9	4.3	26.8	21.8	16.9	11.9	-	-
	67	30.2	4.0	30.2	29.0	24.4	19.4	14.4	-	25.6	4.2	25.6	25.6	22.7	17.7	12.7	-
	62	28.4	3.9	28.4	28.4	27.1	22.1	17.1	12.2	25.0	4.1	25.0	25.0	23.8	18.8	13.8	8.9
57	28.2	3.9	28.2	28.2	26.8	21.9	16.9	11.9	25.0	4.2	25.0	25.0	23.7	18.7	13.8	8.8	
1400	77	42.5	4.2	31.5	20.1	13.6	-	-	-	38.5	4.5	33.2	21.8	12.4	-	-	-
	72	37.2	4.1	31.7	26.0	20.3	14.7	-	-	32.9	4.4	30.2	24.5	18.9	13.2	-	-
	67	31.9	4.0	31.9	31.9	27.1	21.4	15.7	-	27.2	4.2	27.2	27.2	25.3	19.6	14.0	-
	62	30.1	4.0	30.1	30.1	30.1	24.4	18.7	13.1	26.6	4.2	26.6	26.6	26.6	20.9	15.2	9.6
57	29.8	4.0	29.8	29.8	29.8	24.1	18.4	12.8	26.5	4.2	26.5	26.5	26.5	20.8	15.2	9.5	
1550	72	37.2	4.2	33.9	27.7	21.5	15.3	-	-	32.9	4.5	32.5	26.3	20.1	13.8	-	-
	67	31.9	4.1	31.9	31.9	28.7	22.5	16.3	-	27.2	4.3	27.2	27.2	26.9	20.7	14.4	-
	62	30.1	4.1	30.1	30.1	30.1	23.9	17.7	11.5	26.6	4.3	26.6	26.6	26.6	20.4	14.1	7.9
	57	29.8	4.1	29.8	29.8	29.8	23.6	17.4	11.2	26.5	4.3	26.5	26.5	26.5	20.3	14.0	7.8
1700	72	37.2	4.3	36.2	29.4	22.7	16.0	-	-	32.9	4.6	32.9	28.1	21.3	14.4	-	-
	67	31.9	4.2	31.9	31.9	30.2	23.5	16.8	-	27.2	4.5	27.2	27.2	27.2	21.7	14.9	-
	62	30.1	4.2	30.1	30.1	30.1	23.4	16.6	9.9	26.6	4.4	26.6	26.6	26.6	19.8	13.0	6.2
	57	29.8	4.2	29.8	29.8	29.8	23.1	16.3	9.6	26.5	4.4	26.5	26.5	26.5	19.7	12.9	6.1

1. These capacities are Net Capacities.

2. These ratings include the compressor, condenser fan and supply air blower motors.

**DEZ048 (4.0 Ton)**

Air on Evaporator Coil		Temperature of Air on Condenser Coil																	
CFM	WB (°F)	Net Capacity <sup>1</sup> (MBh)	Total Input (kW) <sup>2</sup>	Sensible Capacity (MBh)								Net Capacity <sup>1</sup> (MBh)	Total Input (kW) <sup>2</sup>	Sensible Capacity (MBh)					
				Return Dry Bulb (°F)										Return Dry Bulb (°F)					
				90	85	80	75	70	65	90	85			80	75	70	65		
		<b>75°F</b>								<b>85°F</b>									
1200	77	59.7	3.6	26.9	22.8	18.7	-	-	-	57.6	3.9	25.7	21.5	17.2	-	-	-		
	72	57.1	3.5	34.5	30.4	26.3	22.2	-	-	54.2	3.9	33.3	29.1	24.9	20.6	-	-		
	67	54.5	3.5	42.1	38.0	33.9	29.8	25.7	-	50.9	3.8	41.0	36.7	32.5	28.3	24.0	-		
	62	49.7	3.5	49.7	43.2	39.1	35.0	30.9	26.8	47.0	3.8	47.0	43.1	38.9	34.7	30.4	26.2		
	57	51.4	3.5	51.4	50.3	46.2	42.1	37.9	33.8	48.4	3.8	48.4	47.3	43.1	38.8	34.6	30.3		
1400	77	61.0	3.6	29.0	24.5	19.9	-	-	-	58.7	3.9	27.8	23.1	18.4	-	-	-		
	72	58.3	3.6	37.1	32.6	28.1	23.5	-	-	55.2	3.9	35.9	31.2	26.5	21.8	-	-		
	67	55.7	3.5	45.3	40.7	36.2	31.7	27.1	-	51.8	3.8	44.0	39.4	34.7	30.0	25.3	-		
	62	50.7	3.5	50.7	47.5	41.8	37.2	32.7	28.2	47.9	3.8	47.9	45.9	41.5	36.8	32.1	27.5		
	57	52.5	3.5	52.5	52.0	49.3	44.8	40.2	35.7	49.3	3.8	49.3	48.8	45.9	41.3	36.6	31.9		
1600	77	62.3	3.6	31.1	26.1	21.2	-	-	-	59.8	3.9	29.8	24.7	19.5	-	-	-		
	72	59.6	3.6	39.7	34.8	29.8	24.9	-	-	56.3	3.9	38.5	33.3	28.2	23.1	-	-		
	67	56.9	3.5	48.4	43.4	38.5	33.6	28.6	-	52.8	3.8	47.1	42.0	36.8	31.7	26.6	-		
	62	51.8	3.5	51.8	51.8	44.4	39.5	34.6	29.6	48.7	3.8	48.7	48.7	44.1	39.0	33.9	28.7		
	57	53.6	3.5	53.6	53.6	52.4	47.5	42.6	37.6	50.2	3.8	50.2	50.2	48.8	43.7	38.6	33.4		
1700	72	59.4	3.7	40.3	35.2	30.1	25.0	-	-	56.4	4.0	39.2	33.9	28.6	23.3	-	-		
	67	56.7	3.6	49.0	43.9	38.9	33.8	28.7	-	52.9	3.9	48.0	42.7	37.4	32.0	26.7	-		
	62	51.7	3.6	51.7	51.7	44.8	39.8	34.7	29.6	48.8	3.9	48.8	48.8	44.7	39.4	34.1	28.8		
	57	53.5	3.6	53.5	53.5	52.9	47.9	42.8	37.7	50.3	3.9	50.3	50.3	49.5	44.2	38.9	33.6		
	1800	72	59.2	3.7	40.9	35.6	30.4	25.2	-	-	56.4	4.1	39.9	34.5	29.0	23.5	-	-	
67		56.6	3.7	49.7	44.5	39.2	34.0	28.8	-	52.9	4.0	48.8	43.3	37.9	32.4	26.9	-		
62		51.5	3.7	51.5	51.5	45.2	40.0	34.8	29.5	48.9	4.0	48.9	48.9	45.3	39.8	34.3	28.9		
57		53.3	3.7	53.3	53.3	53.3	48.2	43.0	37.8	50.4	4.0	50.4	50.4	50.2	44.7	39.2	33.7		
		<b>95°F</b>								<b>105°F</b>									
1200	77	55.5	4.2	24.5	20.1	15.8	-	-	-	54.4	4.6	24.3	19.9	15.4	-	-	-		
	72	51.3	4.2	32.2	27.8	23.4	19.1	-	-	48.5	4.5	31.2	26.8	22.3	17.8	-	-		
	67	47.2	4.1	39.8	35.4	31.1	26.7	22.4	-	42.6	4.4	38.1	33.6	29.2	24.7	20.3	-		
	62	44.3	4.0	44.3	43.0	38.7	34.3	30.0	25.6	41.3	4.3	41.3	40.6	36.1	31.7	27.2	22.7		
	57	45.4	4.1	45.4	44.3	39.9	35.6	31.2	26.9	41.7	4.3	41.7	41.1	36.6	32.2	27.7	23.3		
1400	77	56.4	4.3	26.5	21.7	16.8	-	-	-	54.5	4.6	27.4	21.3	16.4	-	-	-		
	72	52.1	4.2	34.7	29.8	25.0	20.1	-	-	48.6	4.5	33.6	28.6	23.7	18.7	-	-		
	67	47.9	4.1	42.8	38.0	33.1	28.3	23.5	-	42.7	4.4	39.8	35.9	31.0	26.0	21.1	-		
	62	45.0	4.1	45.0	44.4	41.2	36.4	31.6	26.7	41.4	4.4	41.4	41.1	38.4	33.4	28.5	23.5		
	57	46.1	4.1	46.1	45.5	42.6	37.7	32.9	28.0	41.9	4.4	41.9	41.5	38.9	34.0	29.0	24.0		
1600	77	57.3	4.3	28.5	23.2	17.9	-	-	-	54.7	4.6	30.5	22.8	17.3	-	-	-		
	72	53.0	4.2	37.2	31.9	26.5	21.2	-	-	48.8	4.5	36.0	30.5	25.1	19.6	-	-		
	67	48.7	4.1	45.8	40.5	35.2	29.9	24.5	-	42.9	4.5	41.5	38.3	32.8	27.4	21.9	-		
	62	45.7	4.1	45.7	45.7	43.8	38.5	33.1	27.8	41.6	4.4	41.6	41.6	40.6	35.2	29.7	24.3		
	57	46.8	4.1	46.8	46.8	45.2	39.9	34.6	29.2	42.0	4.4	42.0	42.0	41.2	35.8	30.3	24.8		
1700	72	53.3	4.3	38.1	32.6	27.0	21.5	-	-	49.7	4.6	37.2	31.5	25.8	20.1	-	-		
	67	49.0	4.2	46.9	41.4	35.8	30.3	24.8	-	43.7	4.6	42.7	39.5	33.7	28.0	22.3	-		
	62	46.0	4.2	46.0	46.0	44.6	39.1	33.5	28.0	42.4	4.5	42.4	42.4	41.7	36.0	30.3	24.6		
	57	47.1	4.2	47.1	47.1	46.0	40.5	35.0	29.4	42.8	4.5	42.8	42.8	42.3	36.6	30.9	25.2		
	1800	72	53.7	4.4	39.0	33.3	27.5	21.8	-	-	50.7	4.7	38.5	32.5	26.5	20.5	-	-	
67		49.3	4.3	48.0	42.2	36.5	30.7	25.0	-	44.5	4.7	43.9	40.7	34.7	28.7	22.7	-		
62		46.3	4.3	46.3	46.3	45.4	39.7	33.9	28.2	43.2	4.6	43.2	43.2	42.8	36.8	30.8	24.9		
57		47.4	4.3	47.4	47.4	46.9	41.1	35.4	29.6	43.7	4.6	43.7	43.7	43.4	37.4	31.5	25.5		

## DEZ048 (4.0 Ton) (Continued)

Air on Evaporator Coil		Temperature of Air on Condenser Coil															
		Net Capacity <sup>1</sup> (MBh)	Total Input (kW) <sup>2</sup>	Sensible Capacity (MBh)						Net Capacity <sup>1</sup> (MBh)	Total Input (kW) <sup>2</sup>	Sensible Capacity (MBh)					
				Return Dry Bulb (°F)								Return Dry Bulb (°F)					
				90	85	80	75	70	65			90	85	80	75	70	65
		<b>115°F</b>								<b>125°F</b>							
1200	77	53.3	4.9	24.2	19.6	15.1	-	-	-	52.2	5.2	25.3	19.3	14.7	-	-	-
	72	45.6	4.8	30.3	25.7	21.1	16.6	-	-	42.8	5.1	29.3	24.7	20.0	15.3	-	-
	67	37.9	4.7	36.4	31.8	27.2	22.7	18.1	-	33.3	5.0	33.3	30.0	25.3	20.7	16.0	-
	62	38.4	4.6	38.4	38.1	33.5	29.0	24.4	19.9	35.4	4.9	35.4	35.4	31.0	26.3	21.6	17.0
	57	38.1	4.6	38.1	37.9	33.3	28.8	24.2	19.7	34.5	4.9	34.5	34.5	30.0	25.4	20.7	16.0
1400	77	52.7	4.9	28.4	21.0	15.9	-	-	-	50.9	5.3	30.6	21.9	15.5	-	-	-
	72	45.1	4.8	32.5	27.5	22.4	17.3	-	-	41.6	5.1	31.5	26.3	21.1	15.9	-	-
	67	37.5	4.7	36.7	33.9	28.8	23.8	18.7	-	32.3	5.0	32.3	31.9	26.7	21.5	16.3	-
	62	37.9	4.7	37.9	37.8	35.5	30.4	25.3	20.3	34.4	5.0	34.4	34.4	32.6	27.4	22.2	17.0
	57	37.7	4.7	37.7	37.6	35.3	30.2	25.1	20.0	33.5	4.9	33.5	33.5	31.6	26.4	21.2	16.0
1600	77	52.1	5.0	32.6	22.4	16.8	-	-	-	49.5	5.3	36.0	24.5	16.3	-	-	-
	72	44.6	4.9	34.8	29.2	23.6	18.0	-	-	40.4	5.2	33.6	27.9	22.2	16.4	-	-
	67	37.1	4.8	37.1	36.0	30.4	24.8	19.2	-	31.3	5.1	31.3	31.3	28.0	22.3	16.6	-
	62	37.5	4.7	37.5	37.5	37.5	31.9	26.3	20.7	33.4	5.0	33.4	33.4	33.4	28.6	22.8	17.1
	57	37.2	4.7	37.2	37.2	37.2	31.6	26.0	20.4	32.4	5.0	32.4	32.4	32.4	27.5	21.8	16.0
1700	72	46.2	5.0	36.4	30.5	24.6	18.7	-	-	42.6	5.3	35.5	29.4	23.3	17.3	-	-
	67	38.4	4.9	38.4	37.5	31.6	25.8	19.9	-	33.1	5.2	33.1	33.1	29.6	23.5	17.4	-
	62	38.8	4.8	38.8	38.8	38.8	32.9	27.0	21.1	35.2	5.1	35.2	35.2	29.8	23.8	17.7	-
	57	38.6	4.8	38.6	38.6	38.6	32.7	26.8	20.9	34.3	5.1	34.3	34.3	34.3	28.8	22.7	16.6
1800	72	47.8	5.1	37.9	31.7	25.5	19.3	-	-	44.9	5.4	37.4	30.9	24.5	18.1	-	-
	67	39.7	5.0	39.7	39.1	32.9	26.7	20.5	-	35.0	5.3	35.0	35.0	31.1	24.6	18.2	-
	62	40.2	4.9	40.2	40.2	40.2	34.0	27.8	21.6	37.1	5.2	37.1	37.1	37.1	31.1	24.7	18.3
	57	39.9	4.9	39.9	39.9	39.9	33.7	27.5	21.3	36.2	5.2	36.2	36.2	36.2	30.0	23.6	17.2

1. These capacities are Net Capacities.

2. These ratings include the compressor, condenser fan and supply air blower motors.

DEZ060 (5.0 Ton)

Air on Evaporator Coil		Temperature of Air on Condenser Coil															
CFM	WB (°F)	Net Capacity <sup>1</sup> (MBh)	Total Input (kW) <sup>2</sup>	Sensible Capacity (MBh)						Net Capacity <sup>1</sup> (MBh)	Total Input (kW) <sup>2</sup>	Sensible Capacity (MBh)					
				Return Dry Bulb (°F)								Return Dry Bulb (°F)					
				90	85	80	75	70	65			90	85	80	75	70	65
				75°F						85°F							
1500	77	71.2	3.5	29.9	24.6	19.3	-	-	-	67.2	4.0	32.2	26.7	21.2	-	-	-
	72	65.3	3.4	39.6	34.3	29.0	23.8	-	-	61.8	4.0	40.5	35.0	29.5	24.0	-	-
	67	59.3	3.4	49.2	44.0	38.7	33.4	28.2	-	56.4	3.9	48.8	43.3	37.8	32.3	26.7	-
	62	55.1	3.3	55.1	52.0	44.1	38.9	33.6	28.3	52.7	3.8	52.7	51.1	45.6	40.1	34.6	29.1
	57	55.9	3.3	55.9	54.4	46.3	41.1	35.8	30.5	52.7	3.8	52.7	52.0	46.5	40.9	35.4	29.9
1625	77	72.2	3.5	32.3	26.8	21.3	-	-	-	68.1	4.0	34.3	28.4	22.6	-	-	-
	72	66.1	3.5	42.8	37.4	31.9	26.4	-	-	62.7	4.0	43.1	37.3	31.4	25.6	-	-
	67	60.1	3.4	53.4	47.9	42.4	36.9	31.4	-	57.2	3.9	51.9	46.1	40.3	34.4	28.6	-
	62	55.9	3.3	55.9	54.3	48.5	43.0	37.5	32.0	53.5	3.8	53.5	52.7	48.6	42.8	36.9	31.1
	57	56.6	3.4	56.6	55.9	50.8	45.3	39.8	34.4	53.5	3.8	53.5	53.1	49.5	43.7	37.9	32.0
1750	77	73.2	3.5	34.7	29.0	23.3	-	-	-	69.1	4.1	36.3	30.1	24.0	-	-	-
	72	67.0	3.5	46.1	40.4	34.7	29.0	-	-	63.6	4.0	45.7	39.5	33.4	27.2	-	-
	67	60.9	3.5	57.5	51.8	46.1	40.4	34.7	-	58.0	3.9	55.1	48.9	42.7	36.6	30.4	-
	62	56.6	3.3	56.6	56.6	52.8	47.1	41.4	35.7	54.2	3.8	54.2	54.2	51.6	45.5	39.3	33.2
	57	57.4	3.4	57.4	57.4	55.3	49.6	43.9	38.2	54.3	3.8	54.3	54.3	52.6	46.4	40.3	34.1
1875	72	67.6	3.5	46.1	40.0	33.9	27.8	-	-	63.9	4.0	46.3	39.8	33.4	27.0	-	-
	67	61.5	3.4	57.5	51.2	45.1	39.0	33.0	-	58.3	3.9	55.7	49.2	42.8	36.3	29.9	-
	62	57.1	3.3	57.1	57.1	52.2	46.1	40.0	33.9	54.5	3.8	54.5	54.5	51.7	45.2	38.8	32.3
	57	57.9	3.4	57.9	57.9	54.8	48.7	42.6	36.5	54.5	3.9	54.5	54.5	52.6	46.2	39.7	33.3
2000	72	68.3	3.4	46.1	39.6	33.2	26.7	-	-	64.2	4.0	46.9	40.1	33.4	26.7	-	-
	67	62.0	3.4	57.4	50.7	44.2	37.7	31.2	-	58.6	3.9	56.3	49.5	42.8	36.1	29.4	-
	62	57.7	3.3	57.7	57.7	51.6	45.1	38.6	32.1	54.8	3.8	54.8	54.8	51.7	45.0	38.2	31.5
	57	58.5	3.3	58.5	58.5	54.2	47.7	41.3	34.8	54.8	3.9	54.8	54.8	52.7	45.9	39.2	32.5
				95°F						105°F							
1500	77	63.1	4.6	34.6	28.8	23.0	-	-	-	58.3	5.0	32.0	25.4	19.5	-	-	-
	72	58.3	4.5	41.5	35.7	29.9	24.2	-	-	53.5	4.9	39.1	33.2	27.3	21.4	-	-
	67	53.5	4.3	48.4	42.6	36.8	31.1	25.3	-	48.8	4.9	46.2	41.0	35.0	29.1	23.2	-
	62	50.3	4.3	50.3	50.3	47.1	41.3	35.6	29.8	46.4	4.8	46.4	46.4	42.3	36.4	30.4	24.5
	57	49.6	4.3	49.6	49.6	46.6	40.8	35.1	29.3	46.4	4.8	46.4	46.3	41.7	35.8	29.9	24.0
1625	77	64.1	4.6	36.2	30.0	23.8	-	-	-	59.5	5.0	35.2	27.0	20.6	-	-	-
	72	59.2	4.5	43.3	37.2	31.0	24.8	-	-	54.6	4.9	41.6	35.2	28.9	22.5	-	-
	67	54.3	4.3	50.5	44.3	38.1	31.9	25.8	-	49.8	4.9	47.9	43.5	37.1	30.8	24.4	-
	62	51.1	4.3	51.1	51.1	48.7	42.6	36.4	30.2	47.4	4.8	47.4	47.4	44.7	38.4	32.0	25.7
	57	50.4	4.3	50.4	50.4	48.2	42.0	35.9	29.7	47.4	4.8	47.4	47.3	44.1	37.8	31.4	25.1
1750	77	65.1	4.6	37.8	31.2	24.6	-	-	-	60.7	5.0	38.4	28.5	21.7	-	-	-
	72	60.1	4.5	45.2	38.6	32.0	25.4	-	-	55.8	4.9	44.0	37.2	30.4	23.7	-	-
	67	55.1	4.3	52.6	46.0	39.4	32.8	26.2	-	50.8	4.9	49.5	46.0	39.2	32.4	25.6	-
	62	51.8	4.3	51.8	51.8	50.4	43.8	37.2	30.6	48.4	4.8	48.4	48.4	47.1	40.4	33.6	26.8
	57	51.1	4.3	51.1	51.1	49.8	43.2	36.6	30.0	48.4	4.8	48.4	48.4	46.5	39.8	33.0	26.2
1875	72	60.1	4.5	46.4	39.6	32.9	26.1	-	-	55.8	5.0	45.0	38.0	30.9	23.9	-	-
	67	55.1	4.4	53.9	47.2	40.4	33.6	26.8	-	50.9	4.9	50.2	46.8	39.8	32.7	25.7	-
	62	51.8	4.3	51.8	51.8	51.1	44.3	37.5	30.7	48.4	4.8	48.4	48.4	47.6	40.6	33.5	26.5
	57	51.1	4.3	51.1	51.1	50.5	43.7	36.9	30.1	48.4	4.8	48.4	48.4	47.0	39.9	32.9	25.8
2000	72	60.1	4.5	47.7	40.7	33.7	26.7	-	-	55.9	5.0	46.0	38.7	31.4	24.1	-	-
	67	55.1	4.4	55.1	48.4	41.5	34.5	27.5	-	50.9	4.9	50.9	47.6	40.4	33.1	25.8	-
	62	51.8	4.4	51.8	51.8	51.8	44.9	37.9	30.9	48.5	4.8	48.5	48.5	48.1	40.8	33.5	26.1
	57	51.1	4.4	51.1	51.1	51.1	44.1	37.2	30.2	48.5	4.9	48.5	48.5	47.4	40.1	32.7	25.4

## DEZ060 (5.0 Ton) (Continued)

Air on Evaporator Coil		Temperature of Air on Condenser Coil															
CFM	WB (°F)	Net Capacity <sup>1</sup> (MBh)	Total Input (kW) <sup>2</sup>	Sensible Capacity (MBh)						Net Capacity <sup>1</sup> (MBh)	Total Input (kW) <sup>2</sup>	Sensible Capacity (MBh)					
				Return Dry Bulb (°F)								Return Dry Bulb (°F)					
				90	85	80	75	70	65			90	85	80	75	70	65
				<b>115°F</b>						<b>125°F</b>							
1500	77	53.5	5.4	29.5	22.1	16.0	-	-	-	48.7	5.8	29.5	18.7	12.5	-	-	-
	72	48.8	5.4	36.8	30.7	24.6	18.5	-	-	44.0	5.9	34.4	28.2	22.0	15.7	-	-
	67	44.1	5.4	44.1	39.3	33.2	27.1	21.1	-	39.4	5.9	39.4	37.7	31.4	25.2	18.9	-
	62	42.6	5.3	42.6	42.6	37.5	31.4	25.3	19.2	38.7	5.8	38.7	38.7	32.6	26.4	20.2	13.9
	57	43.2	5.3	43.2	42.9	36.9	30.8	24.7	18.6	40.0	5.8	40.0	39.6	32.0	25.8	19.5	13.3
1625	77	54.9	5.4	34.3	23.9	17.4	-	-	-	50.4	5.8	35.2	22.7	14.2	-	-	-
	72	50.1	5.4	39.8	33.3	26.7	20.2	-	-	45.6	5.9	38.0	31.3	24.6	17.9	-	-
	67	45.3	5.4	45.3	42.6	36.1	29.6	23.1	-	40.8	5.9	40.8	40.8	35.1	28.4	21.7	-
	62	43.7	5.3	43.7	43.7	40.7	34.2	27.7	21.1	40.1	5.8	40.1	40.1	36.7	30.0	23.3	16.6
	57	44.4	5.3	44.4	44.3	40.0	33.5	27.0	20.5	41.4	5.8	41.4	41.2	36.0	29.3	22.6	15.9
1750	77	56.4	5.4	39.0	25.7	18.8	-	-	-	52.1	5.8	40.9	26.6	15.8	-	-	-
	72	51.4	5.4	42.8	35.8	28.9	21.9	-	-	47.1	5.9	41.5	34.4	27.3	20.2	-	-
	67	46.5	5.4	46.5	45.9	39.0	32.0	25.1	-	42.2	5.9	42.2	42.2	38.7	31.6	24.5	-
	62	44.9	5.3	44.9	44.9	43.9	37.0	30.0	23.1	41.4	5.8	41.4	41.4	40.7	33.6	26.4	19.3
	57	45.6	5.3	45.6	45.6	43.2	36.3	29.3	22.4	42.8	5.8	42.8	42.8	39.9	32.8	25.7	18.5
1875	72	51.6	5.4	43.6	36.3	29.0	21.7	-	-	47.3	5.9	42.2	34.6	27.1	19.5	-	-
	67	46.6	5.4	46.6	46.3	39.1	31.8	24.5	-	42.3	5.9	42.3	42.3	38.5	30.9	23.4	-
	62	45.0	5.3	45.0	45.0	44.1	36.8	29.5	22.2	41.6	5.8	41.6	41.6	40.6	33.1	25.5	18.0
		57	45.7	5.3	45.7	45.7	43.4	36.1	28.8	21.5	43.0	5.8	43.0	43.0	39.9	32.3	24.8
2000	72	51.7	5.4	44.4	36.8	29.1	21.5	-	-	47.5	5.9	42.8	34.8	26.9	18.9	-	-
	67	46.7	5.4	46.7	46.7	39.3	31.7	24.0	-	42.5	5.9	42.5	42.5	38.3	30.3	22.3	-
	62	45.1	5.3	45.1	45.1	44.3	36.7	29.0	21.4	41.8	5.8	41.8	41.8	40.6	32.6	24.6	16.6
		57	45.8	5.3	45.8	45.8	43.6	36.0	28.3	20.7	43.2	5.8	43.2	43.2	39.9	31.9	23.9

1. These capacities are Net Capacities.

2. These ratings include the compressor, condenser fan and supply air blower motors.

**DEQ024-060 Cooling Capacities**

**DEQ024 (2.0 Ton)**

Air on Evaporator Coil		Temperature of Air on Condenser Coil															
CFM	WB (°F)	Net Capacity <sup>1</sup> (MBh)	Total Input (kW) <sup>2</sup>	Sensible Capacity (MBh)						Net Capacity <sup>1</sup> (MBh)	Total Input (kW) <sup>2</sup>	Sensible Capacity (MBh)					
				Return Dry Bulb (°F)								Return Dry Bulb (°F)					
				90	85	80	75	70	65			90	85	80	75	70	65
		<b>75°F</b>								<b>85°F</b>							
600	77	27.3	1.5	10.8	8.5	6.2	-	-	-	25.8	1.7	11.7	9.4	7.1	-	-	-
	72	26.2	1.5	16.0	13.7	11.4	9.1	-	-	24.4	1.7	16.0	13.7	11.4	9.1	-	-
	67	25.2	1.5	21.2	18.9	16.6	14.4	12.1	-	22.9	1.7	20.3	18.0	15.7	13.4	11.1	-
	62	23.5	1.5	23.5	21.6	17.9	15.6	13.3	11.0	21.2	1.6	21.2	20.2	17.9	15.6	13.3	11.0
	57	22.6	1.5	22.6	22.6	19.7	17.4	15.1	12.8	20.7	1.6	20.7	20.7	18.9	16.6	14.3	11.9
700	77	28.6	1.5	12.1	9.7	7.2	-	-	-	27.1	1.7	13.1	10.4	7.8	-	-	-
	72	27.5	1.5	18.1	15.5	13.0	10.5	-	-	25.6	1.7	17.8	15.2	12.6	9.9	-	-
	67	26.3	1.5	24.1	21.4	18.9	16.4	13.9	-	24.0	1.7	22.6	19.9	17.3	14.7	12.0	-
	62	24.6	1.5	24.6	23.7	20.4	17.9	15.4	12.9	22.2	1.6	22.2	21.7	19.7	17.1	14.5	11.8
	57	23.6	1.5	23.6	23.6	22.4	19.8	17.3	14.8	21.8	1.6	21.8	21.8	20.8	18.2	15.5	12.9
800	77	29.8	1.5	13.3	10.8	8.1	-	-	-	28.3	1.7	14.5	11.5	8.5	-	-	-
	72	28.7	1.5	20.1	17.4	14.6	11.9	-	-	26.7	1.7	19.7	16.7	13.7	10.8	-	-
	67	27.5	1.5	26.9	23.9	21.2	18.4	15.7	-	25.1	1.7	24.8	21.9	18.9	15.9	13.0	-
	62	25.8	1.5	25.8	25.8	22.9	20.2	17.4	14.7	23.2	1.6	23.2	23.2	21.6	18.6	15.6	12.7
	57	24.7	1.5	24.7	24.7	24.7	22.3	19.6	16.8	22.8	1.6	22.8	22.8	22.8	19.8	16.8	13.9
900	72	30.4	1.5	19.1	15.8	12.5	9.2	-	-	28.4	1.7	20.4	17.1	13.7	10.4	-	-
	67	29.1	1.5	27.0	21.7	18.4	15.1	11.8	-	26.7	1.7	25.6	22.2	18.9	15.6	12.2	-
	62	27.3	1.5	27.3	27.3	20.6	17.3	14.0	10.7	24.7	1.6	24.7	24.7	21.6	18.2	14.9	11.6
	57	26.1	1.5	26.1	26.1	23.0	19.7	16.4	13.2	24.1	1.6	24.1	24.1	22.8	19.4	16.1	12.7
			<b>95°F</b>								<b>105°F</b>						
600	77	24.3	1.9	12.6	10.3	7.9	-	-	-	22.1	2.0	12.7	9.5	7.2	-	-	-
	72	22.5	1.8	16.0	13.7	11.3	9.0	-	-	20.1	2.0	15.1	12.8	10.4	8.1	-	-
	67	20.7	1.8	19.4	17.1	14.7	12.4	10.1	-	18.1	1.9	17.5	16.0	13.7	11.4	9.0	-
	62	18.8	1.8	18.8	18.8	17.9	15.6	13.2	10.9	16.7	1.9	16.7	16.7	16.0	13.7	11.3	9.0
	57	18.9	1.8	18.9	18.9	18.1	15.8	13.4	11.1	17.1	1.9	17.1	17.1	16.3	13.9	11.6	9.3
700	77	25.6	1.9	14.1	11.2	8.4	-	-	-	23.2	2.0	14.6	10.6	7.7	-	-	-
	72	23.7	1.8	17.6	14.8	12.1	9.3	-	-	21.1	2.0	16.7	13.9	11.1	8.4	-	-
	67	21.7	1.8	21.1	18.5	15.7	12.9	10.2	-	19.0	1.9	18.7	17.2	14.6	11.8	9.1	-
	62	19.8	1.8	19.8	19.8	19.1	16.3	13.5	10.8	17.6	1.9	17.6	17.6	17.1	14.3	11.5	8.8
	57	19.9	1.8	19.9	19.9	19.3	16.5	13.8	11.0	17.9	1.9	17.9	17.9	17.3	14.6	11.8	9.0
800	77	26.8	1.9	15.6	12.1	9.0	-	-	-	24.3	2.0	16.6	11.6	8.1	-	-	-
	72	24.8	1.8	19.2	16.0	12.8	9.6	-	-	22.1	2.0	18.2	15.0	11.8	8.6	-	-
	67	22.8	1.8	22.8	19.8	16.6	13.5	10.3	-	19.9	1.9	19.9	18.4	15.5	12.3	9.1	-
	62	20.7	1.8	20.7	20.7	20.2	17.0	13.8	10.7	18.4	1.9	18.4	18.4	18.1	14.9	11.7	8.5
	57	20.8	1.8	20.8	20.8	20.5	17.3	14.1	10.9	18.8	1.9	18.8	18.8	18.4	15.2	12.0	8.8
900	72	26.4	1.8	21.7	18.3	14.9	11.5	-	-	23.6	2.0	20.7	17.2	13.8	10.4	-	-
	67	24.2	1.8	24.2	22.8	19.4	16.0	12.6	-	21.2	2.0	21.2	20.5	18.1	14.7	11.2	-
	62	22.0	1.8	22.0	22.0	22.6	19.2	15.8	12.4	19.6	1.9	19.6	19.6	19.9	16.4	13.0	9.6
	57	22.1	1.8	22.1	22.1	22.5	19.1	15.7	12.3	20.0	1.9	20.0	20.0	20.4	16.9	13.5	10.1

**DEQ024 (2.0 Ton) (Continued)**

Air on Evaporator Coil		Temperature of Air on Condenser Coil															
		Net Capacity <sup>1</sup> (MBh)	Total Input (kW) <sup>2</sup>	Sensible Capacity (MBh)						Net Capacity <sup>1</sup> (MBh)	Total Input (kW) <sup>2</sup>	Sensible Capacity (MBh)					
				Return Dry Bulb (°F)								Return Dry Bulb (°F)					
				90	85	80	75	70	65			90	85	80	75	70	65
		<b>115°F</b>								<b>125°F</b>							
600	77	19.9	2.2	12.8	8.8	6.5	-	-	-	17.7	2.4	13.6	8.9	5.7	-	-	-
	72	17.7	2.1	14.2	11.9	9.6	7.2	-	-	15.3	2.3	13.3	11.0	8.7	6.4	-	-
	67	15.5	2.1	15.5	15.0	12.6	10.3	8.0	-	13.0	2.2	13.0	13.0	11.6	9.3	7.0	-
	62	14.7	2.1	14.7	14.7	14.1	11.8	9.5	7.2	12.6	2.2	12.6	12.6	12.2	9.9	7.6	5.3
	57	15.3	2.1	15.3	15.3	14.4	12.1	9.8	7.5	13.5	2.2	13.5	13.5	12.5	10.2	7.9	5.6
700	77	20.8	2.2	15.2	10.0	6.9	-	-	-	18.5	2.4	16.0	10.5	6.1	-	-	-
	72	18.5	2.1	15.7	13.0	10.2	7.4	-	-	16.0	2.3	14.8	12.0	9.3	6.5	-	-
	67	16.3	2.1	16.3	16.0	13.5	10.7	8.0	-	13.5	2.2	13.5	13.5	12.4	9.6	6.9	-
	62	15.3	2.1	15.3	15.3	15.0	12.3	9.5	6.8	13.1	2.2	13.1	13.1	13.0	10.3	7.5	4.8
	57	16.0	2.1	16.0	16.0	15.4	12.6	9.9	7.1	14.0	2.2	14.0	14.0	13.4	10.7	7.9	5.2
800	77	21.7	2.2	17.5	11.1	7.3	-	-	-	19.2	2.4	18.5	12.1	6.5	-	-	-
	72	19.4	2.1	17.2	14.0	10.8	7.6	-	-	16.6	2.3	16.3	13.1	9.9	6.6	-	-
	67	17.0	2.1	17.0	17.0	14.3	11.1	7.9	-	14.1	2.2	14.1	14.1	13.2	10.0	6.8	-
	62	16.0	2.1	16.0	16.0	16.0	12.8	9.6	6.4	13.6	2.2	13.6	13.6	13.6	10.7	7.5	4.3
	57	16.7	2.1	16.7	16.7	16.3	13.1	9.9	6.7	14.6	2.2	14.6	14.6	14.3	11.1	7.9	4.7
900	72	20.7	2.2	19.6	16.1	12.7	9.2	-	-	17.9	2.3	18.2	15.1	11.6	8.1	-	-
	67	18.2	2.1	18.2	18.2	16.8	13.3	9.8	-	15.2	2.2	15.2	15.2	15.4	11.9	8.4	-
	62	17.2	2.1	17.2	17.2	17.2	13.7	10.2	6.8	14.7	2.2	14.7	14.7	14.7	10.9	7.4	3.9
	57	17.9	2.1	17.9	17.9	18.2	14.8	11.3	7.8	15.8	2.2	15.8	15.8	16.1	12.6	9.1	5.6

1. These capacities are Net Capacities.
2. These ratings include the compressor, condenser fan and supply air blower motors.

**DEQ030 (2.5 Ton)**

Air on Evaporator Coil		Temperature of Air on Condenser Coil															
CFM	WB (°F)	Net Capacity <sup>1</sup> (MBh)	Total Input (kW) <sup>2</sup>	Sensible Capacity (MBh)						Net Capacity <sup>1</sup> (MBh)	Total Input (kW) <sup>2</sup>	Sensible Capacity (MBh)					
				Return Dry Bulb (°F)								Return Dry Bulb (°F)					
				90	85	80	75	70	65			90	85	80	75	70	65
				<b>75°F</b>						<b>85°F</b>							
925	77	38.7	2.1	18.3	14.9	11.5	-	-	-	37.1	2.4	17.9	14.4	10.9	-	-	-
	72	38.6	2.1	25.0	21.7	18.3	14.9	-	-	36.4	2.3	24.4	20.9	17.5	14.0	-	-
	67	38.6	2.1	31.8	28.4	25.0	21.7	18.3	-	35.7	2.3	31.0	27.5	24.0	20.6	17.1	-
	62	34.8	2.1	34.8	33.8	30.3	26.9	23.6	20.2	31.8	2.3	31.8	31.2	28.6	25.1	21.7	18.2
	57	33.1	2.1	33.1	33.1	32.5	29.3	25.9	22.5	30.9	2.3	30.9	30.9	30.0	26.5	23.0	19.6
1000	77	38.5	2.1	18.7	15.2	11.8	-	-	-	37.0	2.4	18.4	14.8	11.2	-	-	-
	72	38.5	2.1	25.6	22.1	18.7	15.2	-	-	36.3	2.4	25.2	21.6	18.0	14.4	-	-
	67	38.4	2.1	32.5	29.0	25.5	22.1	18.6	-	35.6	2.3	31.9	28.3	24.7	21.1	17.5	-
	62	34.6	2.1	34.6	34.6	30.9	27.5	24.0	20.5	31.7	2.3	31.7	31.7	29.4	25.8	22.2	18.6
	57	32.9	2.1	32.9	32.9	32.9	29.8	26.4	22.9	30.8	2.3	30.8	30.8	30.8	27.2	23.6	20.0
1075	77	38.3	2.1	19.1	15.6	12.0	-	-	-	36.9	2.4	19.0	15.3	11.6	-	-	-
	72	38.3	2.1	26.1	22.6	19.0	15.5	-	-	36.2	2.4	25.9	22.2	18.5	14.7	-	-
	67	38.2	2.1	33.2	29.6	26.0	22.5	18.9	-	35.5	2.3	32.8	29.1	25.4	21.6	17.9	-
	62	34.4	2.1	34.4	35.4	31.5	28.0	24.4	20.9	31.6	2.3	31.6	32.2	30.2	26.5	22.7	19.0
	57	32.8	2.1	32.8	32.8	33.4	30.4	26.8	23.3	30.7	2.3	30.7	30.7	31.6	27.9	24.2	20.5
1150	72	38.8	2.1	26.9	23.1	19.4	15.6	-	-	36.7	2.4	26.5	22.6	18.7	14.8	-	-
	67	38.8	2.1	34.4	30.2	26.5	22.8	19.0	-	36.0	2.3	33.5	29.6	25.7	21.7	17.8	-
	62	34.9	2.1	34.9	34.9	32.3	28.6	24.9	21.1	32.1	2.3	32.1	32.1	30.6	26.7	22.7	18.8
	57	33.3	2.1	33.3	33.3	33.3	29.7	25.9	22.2	31.2	2.3	31.2	31.2	31.2	27.2	23.3	19.4
					<b>95°F</b>						<b>105°F</b>						
925	77	35.4	2.6	17.5	13.9	10.3	-	-	-	33.0	2.8	17.7	13.1	9.5	-	-	-
	72	34.1	2.6	23.8	20.2	16.7	13.1	-	-	31.1	2.8	22.7	19.1	15.5	11.9	-	-
	67	32.8	2.5	30.1	26.6	23.0	19.4	15.9	-	29.3	2.7	27.7	25.1	21.5	18.0	14.4	-
	62	28.8	2.5	28.8	28.5	26.9	23.4	19.8	16.2	25.7	2.7	25.7	25.6	24.3	20.7	17.2	13.6
	57	28.7	2.5	28.7	28.5	27.3	23.8	20.2	16.6	26.0	2.7	26.0	25.9	24.8	21.2	17.6	14.0
1000	77	35.4	2.6	18.2	14.4	10.7	-	-	-	33.0	2.8	18.8	13.7	9.9	-	-	-
	72	34.1	2.6	24.7	21.0	17.3	13.5	-	-	31.1	2.8	23.7	19.9	16.1	12.4	-	-
	67	32.8	2.5	31.3	27.6	23.8	20.1	16.4	-	29.3	2.7	28.5	26.2	22.4	18.6	14.9	-
	62	28.8	2.5	28.8	28.8	27.9	24.2	20.4	16.7	25.7	2.7	25.7	25.7	25.3	21.5	17.8	14.0
	57	28.7	2.5	28.7	28.7	28.3	24.6	20.9	17.1	26.0	2.7	26.0	26.0	25.8	22.0	18.2	14.5
1075	77	35.5	2.6	18.9	15.0	11.1	-	-	-	33.0	2.9	20.0	14.2	10.3	-	-	-
	72	34.2	2.6	25.7	21.8	17.9	14.0	-	-	31.1	2.8	24.6	20.7	16.7	12.8	-	-
	67	32.8	2.6	32.5	28.6	24.7	20.8	16.9	-	29.3	2.7	29.3	27.2	23.2	19.3	15.0	-
	62	28.8	2.5	28.8	29.1	28.9	25.0	21.1	17.2	25.7	2.7	25.7	25.9	26.2	22.3	17.7	13.7
	57	28.7	2.5	28.7	28.8	29.3	25.4	21.5	17.6	26.0	2.7	26.0	26.1	26.7	22.8	18.1	14.1
1150	72	34.6	2.6	26.2	22.1	18.0	13.9	-	-	31.5	2.8	25.2	21.1	16.9	12.7	-	-
	67	33.3	2.5	32.7	29.0	24.8	20.7	16.6	-	29.7	2.7	29.4	27.3	23.4	19.3	15.1	-
	62	29.2	2.5	29.2	29.2	28.8	24.7	20.6	16.5	26.1	2.7	26.1	26.1	25.9	21.7	17.6	13.4
	57	29.1	2.5	29.1	29.1	28.9	24.8	20.7	16.6	26.4	2.7	26.4	26.4	26.3	22.1	17.9	13.8



## DEQ030 (2.5 Ton) (Continued)

Air on Evaporator Coil		Temperature of Air on Condenser Coil															
		Net Capacity <sup>1</sup> (MBh)	Total Input (kW) <sup>2</sup>	Sensible Capacity (MBh)						Net Capacity <sup>1</sup> (MBh)	Total Input (kW) <sup>2</sup>	Sensible Capacity (MBh)					
Return Dry Bulb (°F)						Return Dry Bulb (°F)											
90	85			80	75	70	65	90	85			80	75	70	65		
		<b>115°F</b>									<b>125°F</b>						
925	77	30.5	3.0	17.9	12.3	8.7	-	-	-	28.0	3.3	18.8	12.3	7.9	-	-	-
	72	28.1	3.0	21.6	18.0	14.4	10.8	-	-	25.1	3.2	20.5	16.9	13.3	9.6	-	-
	67	25.7	2.9	25.4	23.7	20.1	16.5	12.9	-	22.2	3.1	22.2	21.8	18.6	15.0	11.4	-
	62	22.7	2.8	22.7	22.7	21.7	18.1	14.5	10.9	19.6	3.0	19.6	19.6	19.0	15.5	11.9	8.3
	57	23.4	2.8	23.4	23.3	22.3	18.7	15.0	11.4	20.7	3.0	20.7	20.7	19.7	16.1	12.5	8.8
1000	77	30.5	3.1	19.5	12.9	9.1	-	-	-	28.0	3.3	20.9	13.2	8.2	-	-	-
	72	28.1	3.0	22.6	18.8	15.0	11.2	-	-	25.1	3.2	21.5	17.7	13.9	10.1	-	-
	67	25.7	2.9	25.7	24.7	21.0	17.2	13.4	-	22.2	3.1	22.2	22.2	19.5	15.7	11.9	-
	62	22.7	2.9	22.7	22.7	22.7	18.9	15.1	11.3	19.6	3.0	19.6	19.6	19.6	16.2	12.4	8.6
	57	23.4	2.9	23.4	23.4	23.2	19.4	15.6	11.8	20.7	3.0	20.7	20.7	20.7	16.9	13.0	9.2
1075	77	30.5	3.1	21.0	13.4	9.4	-	-	-	28.0	3.3	22.9	14.1	8.6	-	-	-
	72	28.1	3.0	23.6	19.6	15.6	11.7	-	-	25.1	3.2	22.5	18.5	14.5	10.5	-	-
	67	25.7	2.9	26.1	25.8	21.8	17.8	13.9	-	22.2	3.1	22.2	22.6	20.4	16.4	12.0	-
	62	22.7	2.9	22.7	22.7	23.6	19.6	15.7	11.7	19.6	3.1	19.6	19.6	20.3	17.0	12.0	7.9
	57	23.4	2.9	23.4	23.4	24.2	20.2	16.2	12.3	20.7	3.1	20.7	20.7	21.6	17.6	12.7	8.7
1150	72	28.5	3.0	24.2	20.0	15.8	11.6	-	-	25.4	3.2	23.2	18.9	14.7	10.4	-	-
	67	26.1	2.9	26.1	25.7	22.0	17.8	13.6	-	22.5	3.1	22.5	22.5	20.6	16.3	12.1	-
	62	23.0	2.9	23.0	23.0	23.0	18.8	14.5	10.3	19.9	3.0	19.9	19.9	19.9	15.8	11.5	7.2
		57	23.7	2.9	23.7	23.7	23.6	19.4	15.2	11.0	21.0	3.1	21.0	21.0	21.0	16.7	12.4

1. These capacities are Net Capacities.

2. These ratings include the compressor, condenser fan and supply air blower motors.

**DEQ036 (3.0 Ton)**

Air on Evaporator Coil		Temperature of Air on Condenser Coil																	
CFM	WB (°F)	Net Capacity <sup>1</sup> (MBh)	Total Input (kW) <sup>2</sup>	Sensible Capacity (MBh)						Net Capacity <sup>1</sup> (MBh)	Total Input (kW) <sup>2</sup>	Sensible Capacity (MBh)							
				Return Dry Bulb (°F)								Return Dry Bulb (°F)							
				90	85	80	75	70	65			90	85	80	75	70	65		
				<b>75°F</b>								<b>85°F</b>							
1000	77	46.0	2.3	23.9	20.3	16.4	-	-	-	43.4	2.6	22.3	18.1	13.9	-	-	-		
	72	44.1	2.3	29.4	25.6	21.7	17.9	-	-	41.2	2.5	28.3	24.1	19.9	15.7	-	-		
	67	42.2	2.3	34.9	30.9	27.0	23.1	19.3	-	38.9	2.5	34.3	30.1	25.9	21.7	17.5	-		
	62	39.0	2.3	39.0	38.3	34.5	30.7	26.8	23.0	35.4	2.5	35.4	35.1	31.7	27.5	23.3	19.1		
	57	32.9	2.3	32.9	32.9	32.6	28.7	24.9	21.0	30.6	2.5	30.6	30.6	29.3	25.1	20.9	16.7		
1100	77	46.5	2.3	24.9	21.0	16.7	-	-	-	43.9	2.6	23.3	18.8	14.4	-	-	-		
	72	44.6	2.3	30.6	26.3	22.1	17.8	-	-	41.7	2.5	29.5	25.0	20.6	16.1	-	-		
	67	42.6	2.3	36.3	31.6	27.4	23.1	18.8	-	39.4	2.5	35.7	31.3	26.8	22.3	17.9	-		
	62	39.4	2.3	39.4	39.1	35.0	30.8	26.5	22.2	35.8	2.5	35.8	35.7	32.8	28.4	23.9	19.4		
	57	33.3	2.3	33.3	33.3	33.1	28.8	24.6	20.3	31.0	2.5	31.0	31.0	30.3	25.8	21.4	16.9		
1200	77	47.0	2.3	25.8	21.7	17.1	-	-	-	44.4	2.6	24.3	19.6	14.9	-	-	-		
	72	45.0	2.3	31.8	27.1	22.4	17.7	-	-	42.1	2.5	30.8	26.0	21.3	16.5	-	-		
	67	43.1	2.3	37.7	32.4	27.7	23.0	18.3	-	39.9	2.5	37.2	32.4	27.7	23.0	18.2	-		
	62	39.8	2.3	39.8	39.8	35.6	30.9	26.2	21.5	36.3	2.5	36.3	36.3	33.9	29.2	24.5	19.7		
	57	33.6	2.3	33.6	33.6	33.6	28.9	24.3	19.6	31.3	2.5	31.3	31.3	31.3	26.6	21.9	17.1		
1300	72	44.7	2.3	34.1	29.0	24.0	18.9	-	-	42.1	2.6	32.5	27.4	22.3	17.2	-	-		
	67	42.8	2.3	41.5	34.8	29.8	24.7	19.7	-	39.9	2.5	39.2	34.1	29.0	23.9	18.8	-		
	62	39.6	2.3	39.6	39.6	38.1	33.1	28.0	23.0	36.3	2.5	36.3	36.3	35.5	30.4	25.3	20.2		
	57	33.4	2.3	33.4	33.4	33.4	28.4	23.3	18.3	31.3	2.5	31.3	31.3	31.3	26.2	21.1	16.0		
					<b>95°F</b>								<b>105°F</b>						
1000	77	40.8	2.8	20.6	15.9	11.3	-	-	-	37.9	3.1	21.3	15.6	11.1	-	-	-		
	72	38.2	2.8	27.1	22.6	18.0	13.5	-	-	34.7	3.0	25.8	21.4	17.0	12.6	-	-		
	67	35.7	2.8	33.6	29.3	24.8	20.2	15.7	-	31.4	3.0	30.4	27.3	23.0	18.6	14.2	-		
	62	31.9	2.7	31.9	31.9	28.9	24.4	19.9	15.3	28.8	2.9	28.8	28.8	26.4	22.0	17.6	13.2		
	57	28.3	2.7	28.3	28.3	26.0	21.4	16.9	12.4	26.6	2.9	26.6	26.6	24.6	20.2	15.8	11.4		
1100	77	41.3	2.8	21.7	16.7	12.0	-	-	-	38.3	3.1	23.1	16.5	11.7	-	-	-		
	72	38.7	2.8	28.4	23.8	19.1	14.5	-	-	35.1	3.0	27.2	22.6	18.0	13.3	-	-		
	67	36.2	2.8	35.1	30.9	26.2	21.6	16.9	-	31.8	3.0	31.3	28.7	24.2	19.6	15.0	-		
	62	32.3	2.7	32.3	32.3	30.6	26.0	21.3	16.6	29.1	2.9	29.1	29.1	27.9	23.2	18.6	14.0		
	57	28.7	2.7	28.7	28.7	27.5	22.8	18.2	13.5	26.9	2.9	26.9	26.9	25.9	21.3	16.7	12.1		
1200	77	41.9	2.8	22.9	17.5	12.7	-	-	-	38.8	3.1	25.0	17.3	12.3	-	-	-		
	72	39.3	2.8	29.8	25.0	20.2	15.4	-	-	35.5	3.0	28.6	23.7	18.9	14.0	-	-		
	67	36.6	2.8	36.6	32.5	27.7	22.9	18.1	-	32.2	3.0	32.2	30.1	25.4	20.6	15.8	-		
	62	32.7	2.7	32.7	32.7	32.3	27.5	22.7	18.0	29.5	2.9	29.5	29.5	29.3	24.4	19.6	14.7		
	57	29.0	2.7	29.0	29.0	29.0	24.2	19.5	14.7	27.3	2.9	27.3	27.3	27.3	22.4	17.6	12.7		
1300	72	39.6	2.8	30.9	25.7	20.6	15.4	-	-	35.8	3.1	30.3	25.0	19.8	14.6	-	-		
	67	36.9	2.8	36.9	33.4	28.2	23.0	17.9	-	32.5	3.0	32.5	30.7	26.7	21.5	16.3	-		
	62	33.0	2.7	33.0	33.0	32.9	27.8	22.6	17.5	29.8	2.9	29.8	29.8	29.7	24.5	19.3	14.1		
	57	29.3	2.7	29.3	29.3	29.3	24.1	19.0	13.8	27.5	3.0	27.5	27.5	27.5	22.3	17.1	11.9		

## DEQ036 (3.0 Ton) (Continued)

Air on Evaporator Coil		Temperature of Air on Condenser Coil															
		Net Capacity <sup>1</sup> (MBh)	Total Input (kW) <sup>2</sup>	Sensible Capacity (MBh)						Net Capacity <sup>1</sup> (MBh)	Total Input (kW) <sup>2</sup>	Sensible Capacity (MBh)					
Return Dry Bulb (°F)						Return Dry Bulb (°F)											
90	85			80	75	70	65	90	85			80	75	70	65		
		<b>115°F</b>								<b>125°F</b>							
1000	77	35.0	3.3	22.0	15.3	10.9	-	-	-	32.1	3.6	23.7	15.7	10.7	-	-	-
	72	31.1	3.3	24.6	20.3	16.0	11.8	-	-	27.5	3.5	23.3	19.2	15.0	10.9	-	-
	67	27.2	3.2	27.2	25.3	21.2	16.9	12.7	-	22.9	3.4	22.9	22.8	19.4	15.3	11.2	-
	62	25.7	3.1	25.7	25.7	24.0	19.7	15.4	11.2	22.6	3.3	22.6	22.6	21.5	17.3	13.2	9.1
	57	25.0	3.1	25.0	25.0	23.3	19.0	14.8	10.5	23.3	3.3	23.3	23.3	22.0	17.8	13.7	9.6
1100	77	35.3	3.3	24.5	16.2	11.4	-	-	-	32.3	3.6	26.4	17.4	11.1	-	-	-
	72	31.4	3.3	26.0	21.4	16.8	12.2	-	-	27.7	3.5	24.7	20.2	15.6	11.1	-	-
	67	27.4	3.2	27.4	26.5	22.2	17.6	13.0	-	23.1	3.4	23.1	23.1	20.2	15.6	11.1	-
	62	26.0	3.1	26.0	26.0	25.1	20.5	15.9	11.3	22.8	3.3	22.8	22.8	22.3	17.8	13.2	8.7
	57	25.2	3.1	25.2	25.2	24.4	19.8	15.2	10.6	23.5	3.3	23.5	23.5	22.8	18.3	13.7	9.2
1200	77	35.7	3.4	27.0	17.2	11.9	-	-	-	32.6	3.6	29.1	19.2	11.5	-	-	-
	72	31.7	3.3	27.4	22.5	17.6	12.7	-	-	27.9	3.5	26.2	21.2	16.3	11.3	-	-
	67	27.7	3.2	27.7	27.7	23.2	18.3	13.4	-	23.3	3.4	23.3	23.3	21.0	16.0	11.0	-
	62	26.2	3.1	26.2	26.2	26.2	21.3	16.4	11.5	23.0	3.4	23.0	23.0	23.0	18.2	13.2	8.3
	57	25.5	3.1	25.5	25.5	25.5	20.6	15.7	10.8	23.7	3.4	23.7	23.7	23.7	18.8	13.8	8.8
1300	72	32.1	3.3	29.6	24.4	19.1	13.8	-	-	28.4	3.6	28.4	23.7	18.4	13.0	-	-
	67	28.1	3.2	28.1	28.1	25.2	19.9	14.7	-	23.7	3.4	23.7	23.7	23.7	18.4	13.1	-
	62	26.6	3.2	26.6	26.6	26.6	21.3	16.0	10.7	23.4	3.4	23.4	23.4	23.4	18.0	12.7	7.4
		57	25.8	3.2	25.8	25.8	25.8	20.6	15.3	10.0	24.1	3.4	24.1	24.1	18.8	13.4	8.1

1. These capacities are Net Capacities.

2. These ratings include the compressor, condenser fan and supply air blower motors.

**DEQ042 (3.5 Ton)**

Air on Evaporator Coil		Temperature of Air on Condenser Coil																	
CFM	WB (°F)	Net Capacity <sup>1</sup> (MBh)	Total Input (kW) <sup>2</sup>	Sensible Capacity (MBh)						Net Capacity <sup>1</sup> (MBh)	Total Input (kW) <sup>2</sup>	Sensible Capacity (MBh)							
				Return Dry Bulb (°F)								Return Dry Bulb (°F)							
				90	85	80	75	70	65			90	85	80	75	70	65		
				<b>75°F</b>						<b>85°F</b>									
1200	77	58.6	2.9	27.7	23.2	17.8	-	-	-	54.9	3.2	27.8	22.3	16.7	-	-	-		
	72	54.7	2.8	36.7	31.3	25.8	20.4	-	-	50.8	3.1	35.5	29.9	24.4	-	-	-		
	67	50.8	2.8	45.7	39.3	33.9	28.4	23.0	-	46.7	3.0	43.1	37.6	32.0	26.5	20.9	-		
	62	46.3	2.7	46.3	46.2	42.8	37.3	31.9	26.5	42.8	2.9	42.8	42.7	39.3	33.7	28.2	22.6		
	57	45.4	2.6	45.4	45.4	43.0	37.5	32.1	26.7	42.3	2.9	42.3	42.3	39.9	34.3	28.8	23.2		
1300	77	58.7	2.9	27.9	23.9	18.3	-	-	-	55.0	3.2	28.8	23.0	17.2	-	-	-		
	72	54.8	2.8	37.7	32.1	26.6	21.0	-	-	50.9	3.1	36.7	30.9	25.2	19.4	-	-		
	67	50.9	2.7	47.6	40.4	34.8	29.2	23.6	-	46.8	3.0	44.6	38.8	33.1	27.3	21.5	-		
	62	46.3	2.7	46.3	46.3	44.0	38.4	32.8	27.2	42.9	2.9	42.9	42.8	40.6	34.8	29.0	23.2		
	57	45.4	2.5	45.4	45.4	44.2	38.6	33.0	27.4	42.4	2.8	42.4	42.4	41.2	35.4	29.6	23.8		
1400	77	58.7	2.9	28.1	24.5	18.8	-	-	-	55.1	3.2	29.8	23.8	17.8	-	-	-		
	72	54.8	2.8	38.8	33.0	27.3	21.5	-	-	51.0	3.1	38.0	32.0	25.9	19.9	-	-		
	67	50.9	2.7	49.4	41.5	35.8	30.0	24.3	-	46.8	3.0	46.1	40.1	34.1	28.1	22.1	-		
	62	46.3	2.7	46.3	46.3	45.2	39.4	33.7	27.9	42.9	2.9	42.9	42.9	41.9	35.8	29.8	23.8		
	57	45.4	2.5	45.4	45.4	45.4	39.7	33.9	28.2	42.5	2.8	42.5	42.5	42.5	36.5	30.5	24.5		
1500	72	55.8	2.8	41.3	35.1	28.9	22.8	-	-	51.5	3.1	39.8	33.4	27.0	20.5	-	-		
	67	51.8	2.8	51.1	44.1	38.0	31.8	25.7	-	47.4	3.0	47.0	41.8	35.4	29.0	22.6	-		
	62	47.2	2.7	47.2	47.2	46.6	40.5	34.3	28.2	43.4	2.9	43.4	43.4	42.9	36.5	30.0	23.6		
	57	46.2	2.5	46.2	46.2	46.2	40.1	33.9	27.8	43.0	2.8	43.0	43.0	43.0	36.6	30.1	23.7		
					<b>95°F</b>						<b>105°F</b>								
1200	77	51.2	3.4	27.9	21.3	15.6	-	-	-	46.6	3.7	28.1	20.0	14.1	-	-	-		
	72	46.8	3.3	34.2	28.6	22.9	17.2	-	-	42.2	3.6	32.5	26.8	21.2	15.5	-	-		
	67	42.5	3.2	40.6	35.8	30.1	24.5	18.8	-	37.8	3.5	36.9	33.7	28.3	22.6	16.9	-		
	62	39.3	3.2	39.3	39.2	35.8	30.1	24.4	18.8	34.7	3.4	34.7	34.7	31.7	26.1	20.4	14.7		
	57	39.3	3.1	39.3	39.3	36.8	31.1	25.4	19.7	35.2	3.4	35.2	35.2	33.0	27.3	21.7	16.0		
1300	77	51.3	3.4	29.7	22.2	16.2	-	-	-	46.9	3.7	30.4	21.1	14.6	-	-	-		
	72	47.0	3.3	35.7	29.7	23.7	17.8	-	-	42.5	3.6	34.0	28.0	22.0	16.1	-	-		
	67	42.7	3.2	41.7	37.3	31.3	25.3	19.3	-	38.1	3.4	37.6	35.0	29.5	23.5	17.5	-		
	62	39.4	3.2	39.4	39.4	37.2	31.2	25.2	19.2	34.9	3.4	34.9	34.9	33.0	27.1	21.1	15.1		
	57	39.5	3.1	39.5	39.5	38.2	32.2	26.2	20.3	35.5	3.4	35.5	35.5	34.4	28.4	22.4	16.4		
1400	77	51.5	3.4	31.5	23.1	16.8	-	-	-	47.2	3.7	32.7	22.1	15.2	-	-	-		
	72	47.2	3.3	37.2	30.9	24.6	18.3	-	-	42.8	3.6	35.5	29.2	22.9	16.6	-	-		
	67	42.8	3.2	42.8	38.7	32.4	26.2	19.9	-	38.4	3.4	38.4	36.3	30.6	24.3	18.1	-		
	62	39.5	3.1	39.5	39.5	38.5	32.3	26.0	19.7	35.2	3.4	35.2	35.2	34.4	28.1	21.8	15.5		
	57	39.6	3.1	39.6	39.6	39.6	33.3	27.0	20.8	35.7	3.4	35.7	35.7	35.7	29.4	23.2	16.9		
1500	72	47.3	3.3	38.3	31.6	25.0	18.3	-	-	42.6	3.6	36.4	29.7	23.0	16.3	-	-		
	67	42.9	3.2	42.9	39.6	32.9	26.2	19.6	-	38.2	3.4	38.2	36.5	30.7	24.0	17.3	-		
	62	39.6	3.1	39.6	39.6	39.1	32.4	25.8	19.1	35.0	3.4	35.0	35.0	34.5	27.8	21.1	14.4		
	57	39.7	3.1	39.7	39.7	39.7	33.0	26.4	19.7	35.6	3.4	35.6	35.6	35.6	28.9	22.2	15.5		

## DEQ042 (3.5 Ton) (Continued)

Air on Evaporator Coil		Temperature of Air on Condenser Coil															
		Net Capacity <sup>1</sup> (MBh)	Total Input (kW) <sup>2</sup>	Sensible Capacity (MBh)						Net Capacity <sup>1</sup> (MBh)	Total Input (kW) <sup>2</sup>	Sensible Capacity (MBh)					
Return Dry Bulb (°F)						Return Dry Bulb (°F)											
90	85			80	75	70	65	90	85			80	75	70	65		
		<b>115°F</b>								<b>125°F</b>							
1200	77	42.0	4.0	28.4	18.7	12.5	-	-	-	37.4	4.2	29.6	18.3	11.0	-	-	-
	72	37.6	3.8	30.8	25.1	19.5	13.8	-	-	32.9	4.0	29.0	23.4	17.7	-	-	-
	67	33.2	3.7	33.2	31.5	26.4	20.7	15.1	-	28.5	3.9	28.5	28.5	24.5	18.9	13.2	-
	62	30.1	3.6	30.1	30.1	27.6	22.0	16.3	10.7	25.5	3.8	25.5	25.5	23.5	17.9	12.3	6.6
	57	31.2	3.6	31.2	31.2	29.2	23.5	17.9	12.2	27.1	3.9	27.1	27.1	25.4	19.7	14.1	8.5
1300	77	42.4	4.0	31.1	19.9	13.1	-	-	-	38.0	4.2	32.2	20.3	11.5	-	-	-
	72	38.0	3.8	32.3	26.3	20.3	14.4	-	-	33.5	4.0	30.6	24.6	18.7	12.7	-	-
	67	33.5	3.7	33.5	32.7	27.6	21.6	15.7	-	29.0	3.9	29.0	29.0	25.8	19.8	13.8	-
	62	30.4	3.6	30.4	30.4	28.9	22.9	16.9	11.0	26.0	3.8	26.0	26.0	24.8	18.8	12.8	6.8
	57	31.5	3.6	31.5	31.5	30.5	24.5	18.6	12.6	27.5	3.9	27.5	27.5	26.7	20.7	14.7	8.8
1400	77	42.9	4.0	33.8	21.2	13.7	-	-	-	38.6	4.2	34.9	22.3	12.1	-	-	-
	72	38.4	3.8	33.9	27.5	21.2	14.9	-	-	34.0	4.1	32.2	25.9	19.6	13.2	-	-
	67	33.9	3.7	33.9	33.9	28.8	22.5	16.2	-	29.5	3.9	29.5	29.5	27.0	20.7	14.4	-
	62	30.8	3.6	30.8	30.8	30.2	23.9	17.6	11.3	26.4	3.8	26.4	26.4	26.0	19.7	13.4	7.0
	57	31.9	3.6	31.9	31.9	31.9	25.6	19.3	13.0	28.0	3.9	28.0	28.0	28.0	21.7	15.4	9.0
1500	72	38.0	3.8	34.5	27.8	21.0	14.3	-	-	33.3	4.0	32.6	25.8	19.1	12.3	-	-
	67	33.5	3.7	33.5	33.5	28.5	21.8	15.1	-	28.8	3.9	28.8	28.8	26.4	19.6	12.8	-
	62	30.4	3.6	30.4	30.4	29.9	23.1	16.4	9.7	25.9	3.8	25.9	25.9	25.3	18.5	11.8	5.0
		57	31.5	3.6	31.5	31.5	31.5	24.8	18.1	11.3	27.4	3.9	27.4	27.4	27.4	20.7	13.9

1. These capacities are Net Capacities.

2. These ratings include the compressor, condenser fan and supply air blower motors.

**DEQ048 (4.0 Ton)**

Air on Evaporator Coil		Temperature of Air on Condenser Coil																	
CFM	WB (°F)	Net Capacity <sup>1</sup> (MBh)	Total Input (kW) <sup>2</sup>	Sensible Capacity (MBh)						Net Capacity <sup>1</sup> (MBh)	Total Input (kW) <sup>2</sup>	Sensible Capacity (MBh)							
				Return Dry Bulb (°F)								Return Dry Bulb (°F)							
				90	85	80	75	70	65			90	85	80	75	70	65		
				<b>75°F</b>								<b>85°F</b>							
1400	77	58.8	2.6	31.6	26.4	20.6	-	-	-	56.2	3.0	31.9	25.9	20.1	-	-	-		
	72	55.0	2.6	40.1	34.3	28.5	22.7	-	-	52.6	3.0	39.6	33.8	27.9	22.0	-	-		
	67	51.2	2.6	48.6	42.2	36.4	30.6	24.8	-	49.0	3.0	47.3	41.6	35.7	29.8	24.0	-		
	62	45.7	2.6	45.7	45.7	44.3	38.6	32.8	27.0	45.7	2.9	45.7	45.7	43.2	37.3	31.5	25.6		
	57	45.6	2.5	45.6	45.6	41.7	35.9	30.2	24.4	44.2	2.9	44.2	44.2	40.7	34.8	29.0	23.1		
1500	77	58.8	2.6	32.5	27.5	21.2	-	-	-	56.0	3.0	33.2	26.8	20.5	-	-	-		
	72	55.0	2.6	41.9	35.6	29.4	23.2	-	-	52.4	3.0	41.0	34.8	28.5	22.3	-	-		
	67	51.2	2.6	51.2	43.8	37.6	31.4	25.2	-	48.8	3.0	48.8	42.8	36.5	30.3	24.0	-		
	62	45.7	2.6	45.7	45.7	45.7	39.6	33.4	27.2	45.5	3.0	45.5	45.5	44.2	38.0	31.7	25.5		
	57	45.6	2.5	45.6	45.6	43.1	36.9	30.7	24.5	44.1	2.9	44.1	44.1	41.6	35.4	29.1	22.9		
1650	72	55.0	2.6	44.3	37.6	30.9	24.2	-	-	52.0	3.0	43.4	36.7	29.9	23.2	-	-		
	67	51.2	2.6	51.2	46.7	39.5	32.8	26.1	-	48.5	3.0	48.5	45.1	38.3	31.6	24.8	-		
	62	45.7	2.6	45.7	45.7	45.7	39.1	32.4	25.7	45.2	3.0	45.2	45.2	44.5	37.8	31.0	24.2		
	57	45.6	2.5	45.6	45.6	44.3	37.6	30.9	24.2	43.8	2.9	43.8	43.8	42.5	35.8	29.0	22.2		
1800	72	54.9	2.6	46.7	39.6	32.4	25.2	-	-	51.6	3.0	45.9	38.6	31.3	24.0	-	-		
	67	51.1	2.6	51.1	49.7	41.4	34.2	27.0	-	48.1	3.0	48.1	47.4	40.1	32.8	25.6	-		
	62	45.7	2.6	45.7	45.7	45.7	38.5	31.4	24.2	44.8	2.9	44.8	44.8	44.8	37.6	30.3	23.0		
	57	45.6	2.5	45.6	45.6	45.6	38.4	31.2	24.0	43.4	2.9	43.4	43.4	43.4	36.2	28.9	21.6		
				<b>95°F</b>								<b>105°F</b>							
1400	77	53.5	3.4	32.2	25.5	19.6	-	-	-	50.4	3.8	32.6	24.5	18.5	-	-	-		
	72	50.2	3.3	39.2	33.2	27.3	21.4	-	-	47.3	3.8	38.3	32.2	26.2	20.2	-	-		
	67	46.8	3.3	46.1	41.0	35.0	29.1	23.1	-	44.3	3.8	43.9	40.0	34.0	27.9	21.9	-		
	62	45.6	3.3	45.6	45.6	42.1	36.1	30.2	24.3	43.6	3.7	43.6	43.2	39.0	33.0	27.0	20.9		
	57	42.9	3.3	42.9	42.9	39.6	33.7	27.8	21.8	42.5	3.7	42.5	42.1	38.0	32.0	26.0	20.0		
1500	77	53.1	3.4	33.9	26.1	19.8	-	-	-	49.9	3.8	35.2	25.2	18.8	-	-	-		
	72	49.8	3.3	40.2	33.9	27.6	21.4	-	-	46.8	3.8	39.5	33.1	26.7	20.3	-	-		
	67	46.4	3.3	46.4	41.7	35.5	29.2	22.9	-	43.8	3.7	43.8	41.0	34.6	28.2	21.8	-		
	62	45.2	3.3	45.2	45.2	42.6	36.3	30.1	23.8	43.1	3.7	43.1	43.1	39.7	33.3	26.9	20.5		
	57	42.5	3.3	42.5	42.5	40.1	33.9	27.6	21.3	42.0	3.7	42.0	42.0	38.7	32.3	25.9	19.5		
1650	72	49.1	3.3	42.6	35.8	28.9	22.1	-	-	45.8	3.8	41.3	34.7	27.8	20.9	-	-		
	67	45.7	3.3	45.7	43.4	37.1	30.3	23.5	-	42.8	3.7	42.8	41.4	36.0	29.1	22.1	-		
	62	44.6	3.3	44.6	44.6	43.3	36.5	29.6	22.8	42.2	3.7	42.2	42.2	40.4	33.5	26.6	19.6		
	57	41.9	3.3	41.9	41.9	40.7	33.9	27.1	20.3	41.1	3.7	41.1	41.1	39.4	32.5	25.5	18.6		
1800	72	48.3	3.3	45.0	37.6	30.2	22.9	-	-	44.8	3.8	43.1	36.4	28.9	21.5	-	-		
	67	45.1	3.3	45.1	45.1	38.8	31.5	24.1	-	41.9	3.7	41.9	41.9	37.5	30.0	22.5	-		
	62	44.0	3.3	44.0	44.0	44.0	36.6	29.2	21.8	41.2	3.7	41.2	41.2	41.2	33.7	26.3	18.8		
	57	41.3	3.3	41.3	41.3	41.3	33.9	26.6	19.2	40.1	3.7	40.1	40.1	40.1	32.6	25.2	17.7		

## DEQ048 (4.0 Ton) (Continued)

Air on Evaporator Coil		Temperature of Air on Condenser Coil															
		Net Capacity <sup>1</sup> (MBh)	Total Input (kW) <sup>2</sup>	Sensible Capacity (MBh)						Net Capacity <sup>1</sup> (MBh)	Total Input (kW) <sup>2</sup>	Sensible Capacity (MBh)					
				Return Dry Bulb (°F)								Return Dry Bulb (°F)					
				90	85	80	75	70	65			90	85	80	75	70	65
<b>115°F</b>										<b>125°F</b>							
1400	77	47.2	4.2	32.9	23.5	17.4	-	-	-	44.1	4.6	33.6	23.0	16.4	-	-	-
	72	44.5	4.2	37.4	31.3	25.2	19.1	-	-	41.7	4.6	36.4	30.3	24.1	17.9	-	-
	67	41.8	4.2	41.8	39.0	32.9	26.8	20.7	-	39.3	4.6	39.3	38.0	31.8	25.6	19.5	-
	62	41.5	4.2	41.5	40.8	35.9	29.8	23.7	17.6	39.5	4.6	39.5	38.5	32.8	26.6	20.5	14.3
57	42.0	4.2	42.0	41.4	36.4	30.3	24.2	18.1	41.6	4.6	41.6	40.6	34.8	28.6	22.5	16.3	
1500	77	46.6	4.2	36.4	24.4	17.9	-	-	-	43.4	4.6	37.7	24.3	16.9	-	-	-
	72	43.9	4.2	38.8	32.3	25.8	19.2	-	-	41.0	4.6	38.2	31.5	24.8	18.2	-	-
	67	41.2	4.2	41.2	40.2	33.7	27.1	20.6	-	38.6	4.6	38.6	38.6	32.8	26.1	19.4	-
	62	41.0	4.1	41.0	41.0	36.8	30.2	23.7	17.2	38.8	4.6	38.8	38.8	33.8	27.2	20.5	13.8
57	41.5	4.1	41.5	41.5	37.3	30.8	24.2	17.7	41.0	4.6	41.0	41.0	35.9	29.2	22.5	15.9	
1650	72	42.6	4.2	40.0	33.7	26.7	19.6	-	-	39.3	4.6	38.7	32.7	25.6	18.4	-	-
	67	39.9	4.2	39.9	39.4	34.9	27.8	20.8	-	37.0	4.6	37.0	37.0	33.7	26.6	19.4	-
	62	39.7	4.2	39.7	39.7	37.6	30.5	23.5	16.4	37.3	4.6	37.3	37.3	34.8	27.6	20.4	13.3
	57	40.2	4.1	40.2	40.2	38.1	31.1	24.0	17.0	39.3	4.6	39.3	39.3	36.8	29.6	22.5	15.3
1800	72	41.2	4.2	41.2	35.2	27.6	20.1	-	-	37.6	4.6	37.6	34.0	26.3	18.6	-	-
	67	38.7	4.2	38.7	38.7	36.1	28.5	21.0	-	35.4	4.6	35.4	35.4	34.7	27.1	19.4	-
	62	38.4	4.2	38.4	38.4	38.4	30.9	23.3	15.7	35.7	4.6	35.7	35.7	35.7	28.0	20.4	12.7
	57	38.9	4.2	38.9	38.9	38.9	31.4	23.8	16.2	37.7	4.6	37.7	37.7	37.7	30.1	22.4	14.7

1. These capacities are Net Capacities.

2. These ratings include the compressor, condenser fan and supply air blower motors.

**DEQ060 (5.0 Ton)**

Air on Evaporator Coil		Temperature of Air on Condenser Coil																		
CFM	WB (°F)	Net Capacity <sup>1</sup> (MBh)	Total Input (kW) <sup>2</sup>	Sensible Capacity (MBh)						Net Capacity <sup>1</sup> (MBh)	Total Input (kW) <sup>2</sup>	Sensible Capacity (MBh)								
				Return Dry Bulb (°F)								Return Dry Bulb (°F)								
				90	85	80	75	70	65			90	85	80	75	70	65			
				<b>75°F</b>						<b>85°F</b>										
1500	77	78.3	3.4	36.3	30.3	24.2	-	-	-	72.6	3.8	34.7	28.6	22.6	-	-	-			
	72	71.4	3.3	45.4	39.3	33.3	27.2	-	-	66.6	3.8	43.8	37.7	31.7	25.6	-	-			
	67	64.4	3.2	54.4	48.4	42.3	36.3	30.3	-	60.6	3.7	52.9	46.8	40.8	34.7	28.6	-			
	62	59.1	3.2	59.1	58.9	51.7	45.7	39.7	33.6	55.9	3.7	55.9	55.8	49.7	43.7	37.6	31.6			
	57	57.4	3.7	57.4	57.4	53.4	47.4	41.3	35.3	56.8	3.7	56.8	56.8	51.7	45.6	39.6	33.5			
1650	77	79.0	3.4	38.2	31.7	25.2	-	-	-	73.0	3.8	36.5	30.0	23.5	-	-	-			
	72	72.0	3.3	47.6	41.1	34.6	28.1	-	-	67.0	3.8	45.9	39.4	32.9	26.4	-	-			
	67	65.0	3.2	57.1	50.6	44.1	37.6	31.1	-	61.0	3.7	55.3	48.8	42.3	35.8	29.3	-			
	62	59.6	3.2	59.6	59.5	53.8	47.3	40.8	34.3	56.2	3.7	56.2	56.2	51.6	45.1	38.6	32.1			
	57	57.9	3.7	57.9	57.9	55.6	49.1	42.6	36.1	57.2	3.7	57.2	57.2	53.7	47.2	40.7	34.2			
1800	77	79.7	3.4	40.1	33.2	26.2	-	-	-	73.5	3.8	38.3	31.3	24.3	-	-	-			
	72	72.6	3.3	49.9	43.0	36.0	29.0	-	-	67.4	3.8	48.0	41.1	34.1	27.2	-	-			
	67	65.6	3.3	59.7	52.8	45.8	38.8	31.9	-	61.4	3.7	57.8	50.9	43.9	36.9	30.0	-			
	62	60.2	3.2	60.2	60.2	56.0	49.0	42.0	35.1	56.6	3.7	56.6	56.6	53.6	46.6	39.7	32.7			
	57	58.5	3.7	58.5	58.5	57.8	50.8	43.8	36.9	57.5	3.7	57.5	57.5	55.7	48.7	41.8	34.8			
1900	72	73.3	3.3	51.4	44.2	37.0	29.8	-	-	67.8	3.8	49.5	42.3	35.1	27.9	-	-			
	67	66.2	3.2	62.4	54.2	47.0	39.9	32.7	-	61.7	3.7	59.5	52.3	45.1	37.9	30.7	-			
	62	60.8	3.2	60.8	60.8	58.1	50.9	43.7	36.5	56.9	3.7	56.9	56.9	55.1	47.9	40.7	33.5			
	57	59.1	3.7	59.1	59.1	58.7	51.5	44.4	37.2	57.8	3.7	57.8	57.8	56.9	49.7	42.5	35.3			
	72	74.1	3.3	52.8	45.4	38.0	30.6	-	-	68.1	3.8	50.9	43.4	36.0	28.6	-	-			
2000	67	66.9	3.2	65.2	55.7	48.3	40.9	33.5	-	62.0	3.7	61.2	53.8	46.3	38.9	31.5	-			
	62	61.4	3.2	61.4	61.4	60.2	52.8	45.3	37.9	57.2	3.7	57.2	57.2	56.6	49.1	41.7	34.3			
	57	59.7	3.7	59.7	59.7	52.3	44.9	37.5	-	58.1	3.7	58.1	58.1	50.7	43.3	35.8	-			
					<b>95°F</b>						<b>105°F</b>									
	1500	77	66.8	4.3	33.1	27.0	20.9	-	-	-	61.8	4.8	31.1	25.1	19.1	-	-	-		
72		61.8	4.3	42.2	36.1	30.1	24.0	-	-	57.1	4.8	40.2	34.1	28.1	22.1	-	-			
67		56.9	4.2	51.3	45.3	39.2	33.1	27.0	-	52.3	4.7	49.2	43.2	37.2	31.1	25.1	-			
62		52.6	4.2	52.6	52.6	47.7	41.6	35.6	29.5	48.8	4.7	48.8	48.8	44.6	38.6	32.5	26.5			
57		56.2	3.7	56.2	56.0	49.9	43.9	37.8	31.7	51.5	4.5	51.5	51.4	45.6	39.6	33.5	27.5			
1650	77	67.0	4.3	34.7	28.2	21.7	-	-	-	61.9	4.8	33.8	26.3	19.8	-	-	-			
	72	62.0	4.3	44.2	37.7	31.2	24.6	-	-	57.2	4.8	42.2	35.7	29.2	22.7	-	-			
	67	57.1	4.2	53.6	47.1	40.6	34.1	27.6	-	52.4	4.7	50.5	45.1	38.6	32.1	25.6	-			
	62	52.8	4.2	52.8	52.8	49.4	42.9	36.4	29.9	48.9	4.7	48.9	48.9	46.3	39.8	33.4	26.9			
	57	56.4	3.7	56.4	56.3	51.8	45.2	38.7	32.2	51.5	4.5	51.5	51.5	47.4	40.9	34.4	27.9			
1800	77	67.2	4.3	36.4	29.4	22.5	-	-	-	62.0	4.8	36.5	27.5	20.5	-	-	-			
	72	62.3	4.2	46.2	39.2	32.2	25.3	-	-	57.2	4.8	44.2	37.2	30.3	23.3	-	-			
	67	57.3	4.2	55.9	49.0	42.0	35.1	28.1	-	52.5	4.7	51.8	47.0	40.0	33.1	26.2	-			
	62	53.0	4.2	53.0	53.0	51.2	44.2	37.3	30.3	49.0	4.7	49.0	49.0	48.1	41.1	34.2	27.2			
	57	56.6	3.7	56.6	56.6	53.6	46.6	39.7	32.7	51.6	4.5	51.6	51.6	49.1	42.2	35.3	28.3			
1900	72	62.2	4.3	47.5	40.3	33.2	26.0	-	-	57.0	4.8	45.4	38.3	31.1	23.9	-	-			
	67	57.2	4.2	56.6	50.4	43.2	36.0	28.8	-	52.2	4.7	51.9	48.1	41.1	33.9	26.8	-			
	62	53.0	4.2	53.0	53.0	52.1	44.9	37.7	30.5	48.7	4.7	48.7	48.7	48.3	41.1	33.9	26.8			
	57	56.5	3.7	56.5	56.5	55.0	47.9	40.7	33.5	51.4	4.5	51.4	51.4	50.1	43.0	35.8	28.6			
	72	62.2	4.3	48.9	41.5	34.1	26.6	-	-	56.7	4.8	46.7	39.3	31.9	24.5	-	-			
2000	67	57.2	4.2	57.2	51.8	44.4	37.0	29.5	-	52.0	4.7	52.0	49.3	42.2	34.8	27.4	-			
	62	52.9	4.2	52.9	52.9	52.9	45.5	38.1	30.6	48.5	4.7	48.5	48.5	48.5	41.1	33.7	26.3			
	57	56.5	3.7	56.5	56.5	56.5	49.1	41.7	34.2	51.1	4.5	51.1	51.1	51.1	43.7	36.3	28.9			



## DEQ060 (5.0 Ton) (Continued)

Air on Evaporator Coil		Temperature of Air on Condenser Coil															
CFM	WB (°F)	Net Capacity <sup>1</sup> (MBh)	Total Input (kW) <sup>2</sup>	Sensible Capacity (MBh)						Net Capacity <sup>1</sup> (MBh)	Total Input (kW) <sup>2</sup>	Sensible Capacity (MBh)					
				Return Dry Bulb (°F)								Return Dry Bulb (°F)					
				90	85	80	75	70	65			90	85	80	75	70	65
				<b>115°F</b>						<b>125°F</b>							
1500	77	56.8	5.3	29.2	23.2	17.2	-	-	-	51.8	5.8	28.9	21.2	15.3	-	-	-
	72	52.3	5.3	38.1	32.1	26.1	20.1	-	-	47.5	5.8	36.1	30.1	24.2	18.2	-	-
	67	47.8	5.3	47.1	41.1	35.1	29.1	23.1	-	43.2	5.8	43.2	39.0	33.1	27.1	21.2	-
	62	45.0	5.2	45.0	45.0	41.5	35.5	29.5	23.5	41.2	5.7	41.2	41.2	38.4	32.4	26.4	20.5
	57	46.7	5.3	46.7	46.7	41.3	35.3	29.3	23.3	42.0	6.0	42.0	42.0	36.9	31.0	25.0	19.1
1650	77	56.8	5.3	32.9	24.3	17.9	-	-	-	51.7	5.8	33.1	22.4	16.0	-	-	-
	72	52.3	5.3	40.1	33.7	27.2	20.8	-	-	47.4	5.8	38.1	31.7	25.3	18.8	-	-
	67	47.8	5.2	47.4	43.0	36.6	30.1	23.7	-	43.1	5.8	43.1	41.0	34.6	28.1	21.7	-
	62	45.0	5.2	45.0	45.0	43.2	36.7	30.3	23.8	41.0	5.7	41.0	41.0	40.1	33.7	27.2	20.8
	57	46.7	5.2	46.7	46.7	43.0	36.5	30.1	23.6	41.9	6.0	41.9	41.9	38.6	32.2	25.8	19.3
1800	77	56.8	5.3	36.6	25.5	18.6	-	-	-	51.5	5.8	37.3	23.6	16.7	-	-	-
	72	52.2	5.3	42.2	35.2	28.3	21.4	-	-	47.2	5.8	40.2	33.3	26.4	19.4	-	-
	67	47.7	5.2	47.7	45.0	38.0	31.1	24.2	-	43.0	5.7	43.0	43.0	36.0	29.1	22.2	-
	62	44.9	5.2	44.9	44.9	44.9	38.0	31.1	24.2	40.9	5.7	40.9	40.9	40.9	34.9	28.0	21.1
	57	46.7	5.2	46.7	46.7	44.7	37.8	30.9	24.0	41.7	6.0	41.7	41.7	40.3	33.4	26.5	19.6
1900	72	51.7	5.3	43.3	36.2	29.0	21.9	-	-	46.5	5.8	41.2	34.1	27.0	19.8	-	-
	67	47.3	5.2	47.3	45.9	39.0	31.9	24.7	-	42.3	5.7	42.3	42.3	36.9	29.8	22.7	-
	62	44.5	5.2	44.5	44.5	44.5	37.3	30.2	23.1	40.2	5.7	40.2	40.2	40.2	33.6	26.5	19.3
		57	46.2	5.2	46.2	46.2	45.2	38.1	30.9	23.8	41.0	6.0	41.0	41.0	40.3	33.2	26.1
2000	72	51.2	5.2	44.5	37.1	29.7	22.4	-	-	45.7	5.7	42.2	34.9	27.6	20.2	-	-
	67	46.8	5.2	46.8	46.8	40.0	32.6	25.2	-	41.6	5.7	41.6	41.6	37.7	30.4	23.1	-
	62	44.0	5.2	44.0	44.0	44.0	36.7	29.3	21.9	39.6	5.7	39.6	39.6	39.6	32.3	24.9	17.6
		57	45.7	5.2	45.7	45.7	45.7	38.4	31.0	23.7	40.4	6.0	40.4	40.4	40.4	33.0	25.7

1. These capacities are Net Capacities.

2. These ratings include the compressor, condenser fan and supply air blower motors.

**DEX024-048 Cooling Capacities**

**DEX024 (2.0 Ton)**

Air on Evaporator Coil		Temperature of Air on Condenser Coil															
CFM	WB (°F)	Net Capacity <sup>1</sup> (MBh)	Total Input (kW) <sup>2</sup>	Sensible Capacity (MBh)						Net Capacity <sup>1</sup> (MBh)	Total Input (kW) <sup>2</sup>	Sensible Capacity (MBh)					
				Return Dry Bulb (°F)								Return Dry Bulb (°F)					
				90	85	80	75	70	65			90	85	80	75	70	65
				<b>75°F</b>						<b>85°F</b>							
600	77	21.5	1.1	7.5	7.8	6.8	-	-	-	21.6	1.3	9.8	8.3	6.9	-	-	
	72	21.3	1.1	14.3	12.7	11.0	9.3	-	-	20.7	1.3	14.8	12.8	10.8	8.9	-	
	67	21.2	1.1	21.2	17.6	15.2	12.9	10.6	-	19.7	1.3	19.7	17.3	14.8	12.2	9.7	
	62	20.2	1.1	20.2	20.2	19.9	15.6	11.4	7.1	18.4	1.3	18.4	18.4	18.3	14.0	9.8	
	57	19.4	1.1	19.4	19.4	19.4	15.1	10.9	6.6	18.2	1.3	18.2	18.2	18.2	13.9	9.6	
800	77	30.1	1.6	13.1	12.3	10.2	-	-	-	28.9	1.8	13.9	11.7	9.6	-	-	
	72	28.4	1.6	19.9	17.3	14.8	12.2	-	-	26.9	1.8	19.4	16.8	14.1	11.4	-	
	67	26.7	1.5	26.7	22.4	19.3	16.2	13.1	-	24.9	1.7	24.9	21.8	18.6	15.4	12.2	
	62	24.0	1.5	24.0	24.0	24.0	20.6	17.1	13.7	22.7	1.7	22.7	22.7	22.7	19.2	15.7	
	57	24.4	1.5	24.4	24.4	24.4	20.8	17.3	13.7	23.0	1.7	23.0	23.0	23.0	19.5	15.9	
				<b>95°F</b>						<b>105°F</b>							
600	77	21.8	1.4	12.1	8.8	7.0	-	-	-	20.2	1.6	12.7	8.7	6.5	-	-	
	72	20.0	1.4	15.2	13.0	10.7	8.4	-	-	18.4	1.6	14.7	12.4	10.1	7.8	-	
	67	18.3	1.4	18.3	17.1	14.3	11.6	8.8	-	16.6	1.6	16.6	16.0	13.6	10.3	6.9	
	62	16.6	1.4	16.6	16.6	16.6	12.4	8.2	3.9	15.4	1.6	15.4	15.4	15.4	11.2	7.1	
	57	17.0	1.4	17.0	17.0	17.0	12.7	8.3	4.0	15.5	1.6	15.5	15.5	15.5	12.0	8.4	
800	77	27.8	2.0	14.7	11.2	9.0	-	-	-	25.8	2.3	15.2	10.6	8.3	-	-	
	72	25.5	1.9	18.9	16.2	13.4	10.7	-	-	23.6	2.2	18.3	15.5	12.7	9.9	-	
	67	23.2	1.9	23.2	21.2	17.9	14.6	11.3	-	21.4	2.2	21.4	20.4	17.1	13.8	10.5	
	62	21.4	1.9	21.4	21.4	21.4	17.9	14.4	10.9	19.9	2.1	19.9	19.9	19.9	16.4	12.9	
	57	21.6	1.8	21.6	21.6	21.6	18.1	14.6	11.1	20.0	2.1	20.0	20.0	20.0	16.5	13.0	
				<b>115°F</b>													
600	77	18.7	1.8	13.2	8.5	6.0	-	-	-								
	72	16.8	1.8	14.1	11.8	9.4	7.1	-	-								
	67	15.0	1.8	15.0	15.0	12.9	9.0	5.1	-								
	62	14.2	1.8	14.2	14.2	14.2	10.1	6.0	1.9								
	57	14.1	1.8	14.1	14.1	14.1	11.3	8.4	5.6								
800	77	23.7	2.5	15.7	10.1	7.6	-	-	-								
	72	21.7	2.4	17.6	14.8	11.9	9.1	-	-								
	67	19.6	2.3	19.6	19.5	16.2	13.0	9.7	-								
	62	18.4	2.3	18.4	18.4	18.4	15.0	11.5	8.0								
	57	18.3	2.3	18.3	18.3	18.3	14.8	11.3	7.8								

1. These capacities are Net Capacities.
2. These ratings include the compressor, condenser fan and supply air blower motors.

**DEX030 (2.5 Ton)**

Air on Evaporator Coil		Temperature of Air on Condenser Coil															
CFM	WB (°F)	Net Capacity <sup>1</sup> (MBh)	Total Input (kW) <sup>2</sup>	Sensible Capacity (MBh)						Net Capacity <sup>1</sup> (MBh)	Total Input (kW) <sup>2</sup>	Sensible Capacity (MBh)					
				Return Dry Bulb (°F)								Return Dry Bulb (°F)					
				90	85	80	75	70	65			90	85	80	75	70	65
				<b>75°F</b>						<b>85°F</b>							
675	77	29.5	1.3	14.1	12.0	9.9	-	-	-	27.9	1.5	13.4	11.3	9.2	-	-	-
	72	27.2	1.3	18.6	16.2	13.7	11.3	-	-	25.7	1.5	17.9	15.5	13.1	10.6	-	-
	67	25.0	1.3	23.0	20.3	17.5	14.8	12.0	-	23.5	1.5	22.5	19.7	16.9	14.1	11.3	-
	62	22.8	1.4	22.8	22.8	21.4	17.3	13.3	9.2	21.5	1.5	21.5	20.7	16.5	12.4	8.3	-
	57	20.1	1.4	20.1	20.1	20.3	15.8	11.2	6.6	20.0	1.5	20.0	20.0	20.2	15.8	11.4	7.0
1000	77	37.4	2.1	16.7	14.7	12.0	-	-	-	37.2	2.3	17.4	14.7	12.0	-	-	-
	72	36.3	2.1	24.7	21.5	18.3	15.1	-	-	34.6	2.2	24.0	20.8	17.6	14.4	-	-
	67	35.3	2.1	32.7	28.3	24.5	20.8	17.0	-	32.0	2.2	30.7	26.9	23.2	19.4	15.7	-
	62	31.0	1.9	31.0	31.0	28.8	24.8	20.7	16.6	29.2	2.1	29.2	28.0	23.9	19.8	15.7	-
	57	30.5	1.9	30.5	30.5	30.5	26.3	22.1	17.9	28.9	2.1	28.9	28.9	28.8	24.7	20.5	16.3
				<b>95°F</b>						<b>105°F</b>							
675	77	26.3	1.7	12.6	10.6	8.6	-	-	-	24.3	2.0	12.7	9.3	7.8	-	-	-
	72	24.2	1.7	17.3	14.8	12.4	10.0	-	-	22.2	2.0	16.4	14.0	11.6	9.2	-	-
	67	22.0	1.7	21.9	19.1	16.2	13.4	10.6	-	20.2	2.0	20.1	18.7	15.4	12.1	8.8	-
	62	20.2	1.7	20.2	20.2	20.0	15.7	11.5	7.3	18.3	2.0	18.3	18.3	18.3	14.1	10.0	5.8
	57	19.9	1.7	19.9	19.9	20.2	15.9	11.6	7.4	18.3	2.0	18.3	18.3	18.6	14.9	11.1	7.4
1000	77	37.1	2.7	18.1	14.7	12.0	-	-	-	34.0	2.9	17.7	13.6	10.9	-	-	-
	72	32.9	2.5	23.4	20.1	16.9	13.7	-	-	30.5	2.8	22.4	19.2	16.0	12.8	-	-
	67	28.6	2.3	28.6	25.5	21.8	18.0	14.3	-	27.1	2.7	27.1	24.8	21.1	17.4	13.6	-
	62	27.5	2.4	27.5	27.5	27.1	23.0	18.9	14.8	25.6	2.7	25.6	25.6	25.4	21.3	17.3	13.2
	57	27.3	2.4	27.3	27.3	27.2	23.1	18.9	14.8	25.5	2.7	25.5	25.5	25.4	21.3	17.2	13.1
				<b>115°F</b>													
675	77	22.3	2.2	12.8	8.1	7.1	-	-	-								
	72	20.3	2.2	15.5	13.2	10.8	8.5	-	-								
	67	18.3	2.2	18.3	18.3	14.6	10.8	7.1	-								
	62	16.5	2.2	16.5	16.5	16.7	12.5	8.4	4.2								
	57	16.8	2.2	16.8	16.8	17.0	13.8	10.6	7.4								
1000	77	30.8	3.1	17.4	12.5	9.8	-	-	-								
	72	28.2	3.1	21.5	18.3	15.1	11.9	-	-								
	67	25.6	3.0	25.6	24.1	20.4	16.7	12.9	-								
	62	23.8	2.9	23.8	23.8	23.7	19.7	15.6	11.5								
	57	23.7	2.9	23.7	23.7	23.7	19.6	15.5	11.4								

1. These capacities are Net Capacities.
2. These ratings include the compressor, condenser fan and supply air blower motors.

**DEX036 (3.0 Ton)**

Air on Evaporator Coil		Temperature of Air on Condenser Coil															
CFM	WB (°F)	Net Capacity <sup>1</sup> (MBh)	Total Input (kW) <sup>2</sup>	Sensible Capacity (MBh)						Net Capacity <sup>1</sup> (MBh)	Total Input (kW) <sup>2</sup>	Sensible Capacity (MBh)					
				Return Dry Bulb (°F)								Return Dry Bulb (°F)					
				90	85	80	75	70	65			90	85	80	75	70	65
				<b>75°F</b>						<b>85°F</b>							
800	77	36.6	1.5	17.4	15.3	12.6	-	-	-	34.0	1.7	17.2	14.4	11.7	-	-	-
	72	31.9	1.5	21.9	18.9	15.9	12.9	-	-	30.1	1.7	21.6	18.5	15.4	12.3	-	-
	67	27.2	1.5	26.5	22.6	19.2	15.7	12.3	-	26.3	1.7	25.9	22.5	19.1	15.7	12.3	-
	62	26.6	1.5	26.6	26.6	25.4	21.2	17.0	12.8	25.1	1.7	25.1	25.1	24.2	20.1	15.9	11.8
	57	23.8	1.5	23.8	23.8	24.0	19.8	15.5	11.2	23.6	1.7	23.6	23.6	23.6	19.4	15.2	11.0
1150	77	48.0	2.4	23.1	19.5	15.9	-	-	-	46.1	2.7	22.2	18.7	15.1	-	-	-
	72	44.5	2.4	30.7	26.6	22.5	18.4	-	-	42.3	2.7	29.7	25.6	21.5	17.5	-	-
	67	41.1	2.4	38.3	33.7	29.1	24.5	19.9	-	38.5	2.6	37.1	32.6	28.0	23.4	18.8	-
	62	37.5	2.3	37.5	37.5	36.4	31.4	26.4	21.4	35.7	2.5	35.7	35.7	34.7	29.7	24.7	19.7
	57	37.6	2.3	37.6	37.6	37.8	32.6	27.4	22.3	35.7	2.5	35.7	35.7	35.7	30.5	25.4	20.3
				<b>95°F</b>						<b>105°F</b>							
800	77	31.4	1.9	16.9	13.6	10.7	-	-	-	28.7	2.2	16.5	12.0	9.5	-	-	-
	72	28.4	1.9	21.2	18.0	14.9	11.8	-	-	26.1	2.2	20.0	16.9	13.9	10.8	-	-
	67	25.4	1.9	25.4	22.5	19.1	15.7	12.3	-	23.5	2.2	23.5	21.9	18.2	14.6	11.0	-
	62	23.5	1.9	23.5	23.5	23.1	19.0	14.9	10.8	21.6	2.2	21.6	21.6	21.4	17.3	13.3	9.2
	57	23.5	1.9	23.5	23.5	23.2	19.0	14.9	10.7	21.9	2.2	21.9	21.9	21.7	17.8	13.9	10.0
1150	77	44.2	3.2	21.3	17.8	14.3	-	-	-	41.1	3.4	21.3	16.5	13.0	-	-	-
	72	40.1	3.1	28.6	24.6	20.6	16.5	-	-	37.4	3.3	27.5	23.5	19.4	15.4	-	-
	67	36.0	2.9	36.0	31.4	26.8	22.3	17.7	-	33.8	3.2	33.8	30.5	25.9	21.4	16.8	-
	62	33.9	2.9	33.9	33.9	32.9	28.0	23.0	18.0	31.5	3.2	31.5	31.5	31.1	26.2	21.3	16.5
	57	33.7	2.9	33.7	33.7	33.5	28.5	23.4	18.3	31.7	3.1	31.7	31.7	31.5	26.6	21.6	16.6
				<b>115°F</b>													
800	77	26.1	2.4	16.2	10.5	8.3	-	-	-								
	72	23.8	2.4	18.9	15.8	12.8	9.8	-	-								
	67	21.6	2.4	21.6	21.2	17.3	13.5	9.6	-								
	62	19.8	2.4	19.8	19.8	19.8	15.7	11.6	7.6								
	57	20.3	2.4	20.3	20.3	20.1	16.5	12.9	9.3								
1150	77	38.0	3.8	21.2	15.2	11.7	-	-	-								
	72	34.8	3.8	26.4	22.4	18.3	14.3	-	-								
	67	31.6	3.7	31.6	29.6	25.0	20.5	15.9	-								
	62	29.2	3.6	29.2	29.2	29.2	24.4	19.7	14.9								
	57	29.6	3.6	29.6	29.6	29.5	24.7	19.8	15.0								

1. These capacities are Net Capacities.
2. These ratings include the compressor, condenser fan and supply air blower motors.

**DEX042 (3.5 Ton)**

Air on Evaporator Coil		Temperature of Air on Condenser Coil															
CFM	WB (°F)	Net Capacity <sup>1</sup> (MBh)	Total Input (kW) <sup>2</sup>	Sensible Capacity (MBh)						Net Capacity <sup>1</sup> (MBh)	Total Input (kW) <sup>2</sup>	Sensible Capacity (MBh)					
				Return Dry Bulb (°F)								Return Dry Bulb (°F)					
				90	85	80	75	70	65			90	85	80	75	70	65
				<b>75°F</b>						<b>85°F</b>							
925	77	40.2	1.9	21.0	17.4	13.7	-	-	-	37.3	2.2	19.2	15.7	12.2	-	-	-
	72	37.1	1.9	26.3	22.4	18.5	14.7	-	-	34.5	2.1	24.8	20.9	17.1	13.3	-	-
	67	34.0	1.9	31.6	27.5	23.3	19.2	15.1	-	31.6	2.1	30.3	26.2	22.1	18.0	13.8	-
	62	30.5	1.9	30.5	30.5	27.7	23.2	18.8	14.3	28.1	2.1	28.1	28.1	26.5	22.0	17.6	13.2
	57	29.4	1.8	29.4	29.4	29.4	24.8	20.1	15.5	27.5	2.1	27.5	27.5	27.5	22.9	18.3	13.7
1400	77	61.7	3.4	29.1	24.8	20.4	-	-	-	56.7	3.3	27.2	22.8	18.4	-	-	-
	72	55.5	3.1	37.9	32.7	27.6	22.4	-	-	51.6	3.3	36.1	31.0	25.8	20.7	-	-
	67	49.4	3.1	46.7	40.7	34.7	28.8	22.8	-	46.5	3.3	45.0	39.1	33.3	27.5	21.7	-
	62	44.5	3.0	44.5	44.5	42.4	36.2	30.1	23.9	41.8	3.2	41.8	41.8	40.8	34.6	28.4	22.3
	57	46.0	2.9	46.0	46.0	45.5	39.2	32.8	26.4	42.9	3.1	42.9	42.9	42.7	36.4	30.1	23.8
				<b>95°F</b>						<b>105°F</b>							
925	77	34.4	2.4	17.5	14.0	10.6	-	-	-	31.7	2.6	17.7	12.8	9.6	-	-	-
	72	31.8	2.3	23.3	19.5	15.7	11.9	-	-	29.0	2.6	21.9	18.3	14.6	10.9	-	-
	67	29.2	2.3	29.1	24.9	20.8	16.7	12.6	-	26.3	2.6	26.2	23.8	19.6	15.5	11.4	-
	62	25.7	2.4	25.7	25.7	25.3	20.9	16.5	12.1	23.5	2.6	23.5	23.5	23.3	18.9	14.5	10.1
	57	25.6	2.4	25.6	25.6	25.6	21.0	16.5	11.9	23.6	2.7	23.6	23.6	23.5	19.1	14.7	10.4
1400	77	51.7	3.8	25.3	20.8	16.3	-	-	-	47.4	4.1	24.9	18.7	14.5	-	-	-
	72	47.6	3.7	34.3	29.2	24.1	19.0	-	-	43.5	4.0	32.2	27.3	22.4	17.5	-	-
	67	43.5	3.5	43.3	37.6	31.9	26.2	20.5	-	39.5	3.9	39.4	35.9	30.3	24.7	19.1	-
	62	39.2	3.5	39.2	39.2	39.2	33.0	26.8	20.7	36.2	3.8	36.2	36.2	36.2	30.1	24.0	17.9
	57	39.8	3.5	39.8	39.8	39.8	33.6	27.4	21.2	36.7	3.8	36.7	36.7	36.8	30.7	24.6	18.5
				<b>115°F</b>													
925	77	28.9	2.9	17.9	11.5	8.6	-	-	-								
	72	26.2	2.9	20.6	17.1	13.5	9.9	-	-								
	67	23.4	2.9	23.4	22.6	18.4	14.3	10.1	-								
	62	21.3	2.9	21.3	21.3	21.3	16.9	12.6	8.2								
	57	21.5	2.9	21.5	21.5	21.4	17.2	13.0	8.8								
1400	77	43.2	4.5	24.6	16.5	12.6	-	-	-								
	72	39.4	4.4	30.1	25.4	20.7	16.0	-	-								
	67	35.6	4.3	35.6	34.2	28.7	23.3	17.8	-								
	62	33.2	4.2	33.2	33.2	33.3	27.2	21.2	15.2								
	57	33.6	4.2	33.6	33.6	33.8	27.8	21.9	15.9								

1. These capacities are Net Capacities.
2. These ratings include the compressor, condenser fan and supply air blower motors.

**DEX048 (4.0 Ton)**

Air on Evaporator Coil		Temperature of Air on Condenser Coil															
CFM	WB (°F)	Net Capacity <sup>1</sup> (MBh)	Total Input (kW) <sup>2</sup>	Sensible Capacity (MBh)						Net Capacity <sup>1</sup> (MBh)	Total Input (kW) <sup>2</sup>	Sensible Capacity (MBh)					
				Return Dry Bulb (°F)								Return Dry Bulb (°F)					
				90	85	80	75	70	65			90	85	80	75	70	65
				<b>75°F</b>						<b>85°F</b>							
1050	77	47.3	2.2	23.6	19.9	16.0	-	-	-	44.7	2.4	22.6	18.6	14.6	-	-	-
	72	43.7	2.1	30.5	26.1	21.8	17.5	-	-	41.1	2.4	29.4	25.0	20.6	16.2	-	-
	67	40.1	2.1	37.3	32.3	27.6	22.9	18.1	-	37.5	2.4	36.1	31.4	26.6	21.8	17.0	-
	62	35.9	2.1	35.9	35.9	33.2	28.9	24.6	20.3	33.8	2.4	33.8	33.8	32.1	27.7	23.3	18.9
	57	35.5	2.1	35.5	35.5	35.5	30.9	26.3	21.6	33.4	2.4	33.4	33.4	33.4	28.8	24.2	19.7
1600	77	66.0	3.6	30.9	26.5	21.0	-	-	-	62.1	3.8	29.9	24.5	19.1	-	-	-
	72	61.0	3.5	42.4	36.3	30.1	24.0	-	-	57.3	3.7	40.7	34.6	28.5	22.3	-	-
	67	56.0	3.4	53.9	46.0	39.2	32.4	25.7	-	52.5	3.6	51.5	44.7	37.9	31.1	24.3	-
	62	51.7	3.3	51.7	51.7	48.9	41.6	34.2	26.8	48.7	3.5	48.7	48.7	47.2	39.8	32.4	24.9
	57	50.8	3.2	50.8	50.8	50.7	43.0	35.4	27.7	47.8	3.5	47.8	47.8	47.7	40.2	32.6	25.1
				<b>95°F</b>						<b>105°F</b>							
1050	77	42.1	2.7	21.6	17.3	13.2	-	-	-	38.2	3.1	22.1	16.4	12.0	-	-	-
	72	38.5	2.7	28.3	23.8	19.4	14.9	-	-	35.1	3.0	27.0	22.6	18.2	13.7	-	-
	67	35.0	2.7	35.0	30.4	25.6	20.7	15.9	-	31.9	3.0	31.9	28.8	24.3	19.8	15.3	-
	62	31.8	2.7	31.8	31.8	30.9	26.4	22.0	17.5	29.1	3.0	29.1	29.1	28.7	24.2	19.7	15.3
	57	31.3	2.7	31.3	31.3	31.3	26.8	22.2	17.7	29.0	3.0	29.0	29.0	29.0	24.2	19.4	14.6
1600	77	58.1	4.2	29.0	22.5	17.1	-	-	-	53.4	4.5	30.3	21.0	15.7	-	-	-
	72	53.6	4.1	39.0	32.9	26.8	20.7	-	-	49.0	4.4	37.5	31.4	25.3	19.3	-	-
	67	49.0	4.0	49.0	43.4	36.5	29.7	22.9	-	44.6	4.3	44.6	41.8	34.9	28.1	21.2	-
	62	45.6	3.9	45.6	45.6	45.5	38.0	30.5	23.0	41.6	4.2	41.6	41.6	41.6	34.1	26.6	19.2
	57	44.9	3.9	44.9	44.9	44.8	37.4	29.9	22.4	41.4	4.2	41.4	41.4	41.3	34.0	26.7	19.3
				<b>115°F</b>													
1050	77	34.3	3.4	22.6	15.4	10.8	-	-	-								
	72	31.6	3.4	25.7	21.3	16.9	12.6	-	-								
	67	28.9	3.3	28.9	27.2	23.1	18.9	14.7	-								
	62	26.4	3.3	26.4	26.4	26.4	22.0	17.5	13.0								
	57	26.7	3.3	26.7	26.7	26.7	21.6	16.5	11.4								
1600	77	48.7	4.9	31.7	19.6	14.4	-	-	-								
	72	44.4	4.8	36.0	29.9	23.8	17.8	-	-								
	67	40.2	4.8	40.2	40.2	33.3	26.4	19.5	-								
	62	37.7	4.6	37.7	37.7	37.7	30.2	22.8	15.3								
	57	37.9	4.6	37.9	37.9	37.9	30.6	23.4	16.2								

1. These capacities are Net Capacities.
2. These ratings include the compressor, condenser fan and supply air blower motors.

## Airflow Performance

### DEZ Side Duct Application

Model (Tons)	Blower Speed Setting	External Static Pressure (Inches Water Gauge)														
		0.2			0.4			0.6			0.8			1.0		
		CFM	W	RPM	CFM	W	RPM	CFM	W	RPM	CFM	W	RPM	CFM	W	RPM
DEZ024 (2.0)	Low (1)	726	87	632	629	99	739	-	-	-	-	-	-	-	-	-
	Low/Medium (2)	768	97	651	679	110	754	-	-	-	-	-	-	-	-	-
	Medium (3)	883	131	704	812	147	797	736	162	889	651	177	979	-	-	-
	Medium/High (4)	990	170	755	934	187	839	868	202	920	791	216	1000	696	227	1078
	High (5)	-	-	-	-	-	-	985	245	952	913	257	1022	813	261	1090
DEZ030 (2.5)	Low (1)	828	110	673	759	125	771	-	-	-	-	-	-	-	-	-
	Low/Medium (2)	953	153	735	894	172	823	824	189	909	-	-	-	-	-	-
	Medium (3)	1091	214	807	1041	234	883	983	253	958	910	269	1033	785	273	1106
	Medium/High (4)	1189	269	861	1144	288	927	1091	305	994	1027	318	1061	912	316	1132
	High (5)	-	-	-	1235	347	970	1186	360	1028	1125	368	1086	1007	352	1147
DEZ036 (3.0)	Low (1)	966	168	771	890	186	860	-	-	-	-	-	-	-	-	-
	Low/Medium (2)	1148	215	763	1062	237	841	975	259	918	-	-	-	-	-	-
	Medium (3)	1258	255	766	1167	278	839	1075	301	911	980	325	983	-	-	-
	Medium/High (4)	1361	301	778	1267	325	845	1170	349	913	1070	372	981	964	393	1048
	High (5)	1458	354	797	1362	379	859	1262	402	923	1156	423	986	1040	436	1048
DEZ042 (3.5)	Low (1)	1241	221	702	1151	245	778	1058	268	853	-	-	-	-	-	-
	Low/Medium (2)	1406	299	759	1325	324	826	1242	349	893	1158	373	959	1072	396	1025
	Medium (3)	1536	376	808	1461	403	869	1384	427	928	1305	449	988	1223	468	1046
	Medium/High (4)	1656	466	858	1584	492	912	1509	515	966	1430	533	1019	1344	542	1070
	High (5)	-	-	-	1687	590	955	1611	610	1004	1527	620	1051	1428	615	1097
DEZ048 (4.0)	Low (1)	1287	222	695	-	-	-	-	-	-	-	-	-	-	-	-
	Low/Medium (2)	1596	397	817	1513	422	875	1432	447	934	1354	474	995	1276	501	1058
	Medium (3)	1705	476	858	1624	501	911	1545	526	966	1466	549	1021	1386	571	1077
	Medium/High (4)	1806	561	895	1726	587	945	1646	610	995	1564	628	1046	1476	639	1096
	High (5)	1898	652	929	1819	679	977	1736	698	1023	1646	709	1069	1547	706	1112
DEZ060 (5.0)	Low (1)	1580	394	859	1504	420	917	-	-	-	-	-	-	-	-	-
	Low/Medium (2)	1650	448	888	1579	476	945	1499	478	1003	1401	494	1049	-	-	-
	Medium (3)	1854	605	972	1783	629	1020	1703	646	1065	1605	648	1104	1528	659	1146
	Medium/High (4)	2120	856	1073	2021	840	1102	1908	815	1127	1769	772	1148	1567	685	1154
	High (5)	2214	968	1104	2089	918	1121	1949	859	1136	1785	787	1148	1576	689	1154

### DEZ Bottom Duct Application

Model (Tons)	Blower Speed Setting	External Static Pressure (Inches Water Gauge)														
		0.2			0.4			0.6			0.8			1.0		
		CFM	W	RPM	CFM	W	RPM	CFM	W	RPM	CFM	W	RPM	CFM	W	RPM
DEZ024 (2.0)	Low (1)	726	87	632	629	99	739	-	-	-	-	-	-	-	-	-
	Low/Medium (2)	768	97	651	679	110	754	-	-	-	-	-	-	-	-	-
	Medium (3)	883	131	704	812	147	797	736	162	889	651	177	979	-	-	-
	Medium/High (4)	990	170	755	934	187	839	868	202	920	791	216	1000	696	227	1078
	High (5)	-	-	-	-	-	-	985	245	952	913	257	1022	813	261	1090
DEZ030 (2.5)	Low (1)	828	110	673	759	125	771	-	-	-	-	-	-	-	-	-
	Low/Medium (2)	953	153	735	894	172	823	824	189	909	-	-	-	-	-	-
	Medium (3)	1091	214	807	1041	234	883	983	253	958	910	269	1033	785	273	1106
	Medium/High (4)	1189	269	861	1144	288	927	1091	305	994	1027	318	1061	912	316	1132
	High (5)	-	-	-	1235	347	970	1186	360	1028	1125	368	1086	1007	352	1147
DEZ036 (3.0)	Low (1)	966	168	771	890	186	860	-	-	-	-	-	-	-	-	-
	Low/Medium (2)	1148	215	763	1062	237	841	975	259	918	-	-	-	-	-	-
	Medium (3)	1258	255	766	1167	278	839	1075	301	911	980	325	983	-	-	-
	Medium/High (4)	1361	301	778	1267	325	845	1170	349	913	1070	372	981	964	393	1048
	High (5)	1458	354	797	1362	379	859	1262	402	923	1156	423	986	1040	436	1048
DEZ042 (3.5)	Low (1)	1241	221	702	1151	245	778	1058	268	853	-	-	-	-	-	-
	Low/Medium (2)	1406	299	759	1325	324	826	1242	349	893	1158	373	959	1072	396	1025
	Medium (3)	1536	376	808	1461	403	869	1384	427	928	1305	449	988	1223	468	1046
	Medium/High (4)	1656	466	858	1584	492	912	1509	515	966	1430	533	1019	1344	542	1070
	High (5)	-	-	-	1687	590	955	1611	610	1004	1527	620	1051	1428	615	1097
DEZ048 (4.0)	Low (1)	1287	222	695	-	-	-	-	-	-	-	-	-	-	-	-
	Low/Medium (2)	1596	397	817	1513	422	875	1432	447	934	1354	474	995	1276	501	1058
	Medium (3)	1705	476	858	1624	501	911	1545	526	966	1466	549	1021	1386	571	1077
	Medium/High (4)	1806	561	895	1726	587	945	1646	610	995	1564	628	1046	1476	639	1096
	High (5)	1898	652	929	1819	679	977	1736	698	1023	1646	709	1069	1547	706	1112
DEZ060 (5.0)	Low (1)	1580	394	859	1504	420	917	-	-	-	-	-	-	-	-	-
	Low/Medium (2)	1650	448	888	1579	476	945	1499	478	1003	1401	494	1049	-	-	-
	Medium (3)	1854	605	972	1783	629	1020	1703	646	1065	1605	648	1104	1528	659	1146
	Medium/High (4)	2120	856	1073	2021	840	1102	1908	815	1127	1769	772	1148	1567	685	1154
	High (5)	2214	968	1104	2089	918	1121	1949	859	1136	1785	787	1148	1576	689	1154

**DEQ Side Duct Application**

Model (Tons)	Mode	Thermostat Input	Speed Tap	CFM	External Static Pressure (Inch Water Gauge)									
					0.2	0.3	0.4	0.5	0.6	0.7	0.8	0.9	1.0	
					Watts	Watts	Watts	Watts	Watts	Watts	Watts	Watts	Watts	
DEQ024 (2.0)	Cool	Y1	COOL-A	800	99	117	137	156	176	196	217	237	258	
		Y1	COOL-B	600	57	74	91	108	126	143	161	179	197	
		Y1	COOL-C	700	76	94	112	130	148	167	186	205	224	
		Y1	COOL-D	900	126	146	166	187	208	231	253	277	300	
	Heat	W1	HEAT-A	800	99	117	137	156	-	-	-	-	-	
		W1	HEAT-B	720	80	98	116	135	-	-	-	-	-	
W1		HEAT-C	880	120	140	160	180	-	-	-	-	-		
DEQ030 (2.5)	Cool	Y1	COOL-A	1000	159	179	200	222	246	270	296	323	350	
		Y1	COOL-B	925	129	148	169	190	211	233	256	280	304	
		Y1	COOL-C	1075	194	214	236	260	285	312	341	371	403	
		Y1	COOL-D	1150	233	254	277	302	330	360	392	427	463	
	Heat	W1	HEAT-A	1000	159	179	200	222	-	-	-	-	-	
		W1	HEAT-B	900	120	139	159	180	-	-	-	-	-	
		W1	HEAT-C	1100	206	227	249	274	-	-	-	-	-	
		W1	HEAT-D	1000	159	179	200	222	-	-	-	-	-	
DEQ036 (3.0)	Cool	Y1	COOL-A	1200	261	283	306	333	362	394	429	467	507	
		Y1	COOL-B	1000	159	179	200	222	246	270	296	323	350	
		Y1	COOL-C	1100	206	227	249	274	300	328	357	389	422	
		Y1	COOL-D	1300	325	346	372	401	434	471	511	556	604	
	Heat	W1	HEAT-A	1200	261	283	306	333	-	-	-	-	-	
		W1	HEAT-B	1080	196	217	239	263	-	-	-	-	-	
		W1	HEAT-C	1275	308	330	355	383	-	-	-	-	-	
		W1	HEAT-D	1200	261	283	306	333	-	-	-	-	-	
DEQ042 (3.5)	Cool	Y1	COOL-A	1400	338	383	426	468	509	549	589	627	664	
		Y1	COOL-B	1200	245	281	318	354	390	426	462	497	533	
		Y1	COOL-C	1300	290	330	370	409	447	485	523	560	596	
		Y1	COOL-D	1500	391	439	486	532	576	618	660	700	739	
	Heat	W1	HEAT-A	1225	256	293	330	367	-	-	-	-	-	
		W1	HEAT-B	1100	203	237	270	304	-	-	-	-	-	
		W1	HEAT-C	1350	314	356	397	438	-	-	-	-	-	
		W1	HEAT-D	1225	256	293	330	367	-	-	-	-	-	
DEQ048 (4.0)	Cool	Y1	COOL-A	1600	408	461	512	562	610	657	703	747	790	
		Y1	COOL-B	1400	290	334	378	422	465	508	550	592	633	
		Y1	COOL-C	1500	349	397	445	492	537	582	626	669	711	
		Y1	COOL-D	1700	467	524	579	632	683	732	779	825	868	
	Heat	W1	HEAT-A	1600	408	461	512	562	610	657	-	-	-	
		W1	HEAT-B	1440	313	359	405	450	494	537	-	-	-	
		W1	HEAT-C	1760	503	562	619	674	726	777	-	-	-	
		W1	HEAT-D	1600	408	461	512	562	610	657	-	-	-	
DEQ060 (5.0)	Cool	Y1	COOL-A	1500	404	438	475	512	555	597	644	692	728	
		Y1	COOL-B	1650	498	542	588	634	683	732	783	835	888	
		Y1	COOL-C	1800	590	643	696	750	805	860	916	973	1030	
		Y1	COOL-D	1900	654	715	775	836	895	955	1013	1072	-	
	Heat	W1	HEAT-A	1900	654	715	775	836	895	-	-	-	-	
		W1	HEAT-B	1975	703	772	839	904	968	-	-	-	-	
		W1	HEAT-C	2150	823	913	999	1079	1154	-	-	-	-	
		W1	HEAT-D	2070	767	847	923	997	1066	-	-	-	-	



## DEQ Bottom Duct Application

Model (Tons)	Mode	Thermostat Input	Speed Tap	CFM	External Static Pressure (Inch Water Gauge)									
					0.2	0.3	0.4	0.5	0.6	0.7	0.8	0.9	1.0	
					Watts	Watts	Watts	Watts	Watts	Watts	Watts	Watts	Watts	
DEQ024 (2.0)	Cool	Y1	COOL-A	800	99	117	137	156	176	196	217	237	258	
		Y1	COOL-B	600	57	74	91	108	126	143	161	179	197	
		Y1	COOL-C	700	76	94	112	130	148	167	186	205	224	
		Y1	COOL-D	900	126	146	166	187	208	231	253	277	300	
	Heat	W1	HEAT-A	800	99	117	137	156	-	-	-	-	-	
		W1	HEAT-B	720	80	98	116	135	-	-	-	-	-	
		W1	HEAT-C	880	120	140	160	180	-	-	-	-	-	
		W1	HEAT-D	800	99	117	137	156	-	-	-	-	-	
DEQ030 (2.5)	Cool	Y1	COOL-A	1000	159	179	200	222	246	270	296	323	350	
		Y1	COOL-B	925	129	148	169	190	211	233	256	280	304	
		Y1	COOL-C	1075	194	214	236	260	285	312	341	371	403	
		Y1	COOL-D	1150	233	254	277	302	330	360	392	427	463	
	Heat	W1	HEAT-A	1000	159	179	200	222	-	-	-	-	-	
		W1	HEAT-B	900	120	139	159	180	-	-	-	-	-	
		W1	HEAT-C	1100	206	227	249	274	-	-	-	-	-	
		W1	HEAT-D	1000	159	179	200	222	-	-	-	-	-	
DEQ036 (3.0)	Cool	Y1	COOL-A	1200	261	283	306	333	362	394	429	467	507	
		Y1	COOL-B	1000	159	179	200	222	246	270	296	323	350	
		Y1	COOL-C	1100	206	227	249	274	300	328	357	389	422	
		Y1	COOL-D	1300	325	346	372	401	434	471	511	556	604	
	Heat	W1	HEAT-A	1200	261	283	306	333	-	-	-	-	-	
		W1	HEAT-B	1080	196	217	239	263	-	-	-	-	-	
		W1	HEAT-C	1275	308	330	355	383	-	-	-	-	-	
		W1	HEAT-D	1200	261	283	306	333	-	-	-	-	-	
DEQ042 (3.5)	Cool	Y1	COOL-A	1400	338	383	426	468	509	549	589	627	664	
		Y1	COOL-B	1200	245	281	318	354	390	426	462	497	533	
		Y1	COOL-C	1300	290	330	370	409	447	485	523	560	596	
		Y1	COOL-D	1500	391	439	486	532	576	618	660	700	739	
	Heat	W1	HEAT-A	1225	256	293	330	367	-	-	-	-	-	
		W1	HEAT-B	1100	203	237	270	304	-	-	-	-	-	
		W1	HEAT-C	1350	314	356	397	438	-	-	-	-	-	
		W1	HEAT-D	1225	256	293	330	367	-	-	-	-	-	
DEQ048 (4.0)	Cool	Y1	COOL-A	1600	408	461	512	562	610	657	703	747	790	
		Y1	COOL-B	1400	290	334	378	422	465	508	550	592	633	
		Y1	COOL-C	1500	349	397	445	492	537	582	626	669	711	
		Y1	COOL-D	1700	467	524	579	632	683	732	779	825	868	
	Heat	W1	HEAT-A	1600	408	461	512	562	610	657	-	-	-	
		W1	HEAT-B	1440	313	359	405	450	494	537	-	-	-	
		W1	HEAT-C	1760	503	562	619	674	726	777	-	-	-	
		W1	HEAT-D	1600	408	461	512	562	610	657	-	-	-	
DEQ060 (5.0)	Cool	Y1	COOL-A	1500	404	438	475	512	555	597	644	692	728	
		Y1	COOL-B	1650	498	542	588	634	683	732	783	835	888	
		Y1	COOL-C	1800	590	643	696	750	805	860	916	973	1030	
		Y1	COOL-D	1900	654	715	775	836	895	955	1013	1072	-	
	Heat	W1	HEAT-A	1900	654	715	775	836	895	-	-	-	-	
		W1	HEAT-B	1975	703	772	839	904	968	-	-	-	-	
		W1	HEAT-C	2150	823	913	999	1079	1154	-	-	-	-	
		W1	HEAT-D	2070	767	847	923	997	1066	-	-	-	-	

**DEX Side Duct Application**

Model (Tons)	Mode		Thermostat Input	Speed Tap	CFM	External Static Pressure (Inch Water Gauge)								
						0.2	0.3	0.4	0.5	0.6	0.7	0.8	0.9	1.0
						Watts	Watts	Watts	Watts	Watts	Watts	Watts	Watts	Watts
DEX024 (2.0)	Cool	Low	Y1	COOL-A	600	57	74	91	108	126	143	161	179	197
			Y1	COOL-B	450	39	54	69	84	100	117	134	152	171
			Y1	COOL-C	525	47	63	79	95	112	129	146	164	182
			Y1	COOL-D	675	71	88	106	124	142	161	179	198	216
		High	Y1+Y2	COOL-A	800	99	117	137	156	176	196	217	237	258
			Y1+Y2	COOL-B	600	57	74	91	108	126	143	161	179	197
			Y1+Y2	COOL-C	700	76	94	112	130	148	167	186	205	224
			Y1+Y2	COOL-D	900	126	146	166	187	208	231	253	277	300
	Heat	W1	HEAT-A	800	99	117	137	156	-	-	-	-	-	
		W1	HEAT-B	720	80	98	116	135	-	-	-	-	-	
		W1	HEAT-C	880	120	140	160	180	-	-	-	-	-	
		W1	HEAT-D	800	99	117	137	156	-	-	-	-	-	
DEX030 (2.5)	Cool	Low	Y1	COOL-A	670	61	78	95	113	130	148	166	184	201
			Y1	COOL-B	620	54	70	87	104	121	138	156	173	191
			Y1	COOL-C	720	70	88	106	124	142	160	178	197	215
			Y1	COOL-D	770	81	99	118	136	155	174	193	213	232
		High	Y1+Y2	COOL-A	1000	159	179	200	222	246	270	296	323	350
			Y1+Y2	COOL-B	925	129	148	169	190	211	233	256	280	304
			Y1+Y2	COOL-C	1075	194	214	236	260	285	312	341	371	403
			Y1+Y2	COOL-D	1150	233	254	277	302	330	360	392	427	463
	Heat	W1	HEAT-A	1000	159	179	200	222	-	-	-	-	-	
		W1	HEAT-B	900	120	139	159	180	-	-	-	-	-	
		W1	HEAT-C	1100	206	227	249	274	-	-	-	-	-	
		W1	HEAT-D	1000	159	179	200	222	-	-	-	-	-	
DEX036 (3.0)	Cool	Low	Y1	COOL-A	900	120	139	159	180	201	222	244	267	291
			Y1	COOL-B	750	76	94	113	131	150	168	187	206	225
			Y1	COOL-C	830	97	116	135	155	174	194	215	236	256
			Y1	COOL-D	980	150	170	191	213	236	260	285	311	337
		High	Y1+Y2	COOL-A	1200	261	283	306	333	362	394	429	467	507
			Y1+Y2	COOL-B	1000	159	179	200	222	246	270	296	323	350
			Y1+Y2	COOL-C	1100	206	227	249	274	300	328	357	389	422
			Y1+Y2	COOL-D	1300	325	346	372	401	434	471	511	556	604
	Heat	W1	HEAT-A	1200	261	283	306	333	-	-	-	-	-	
		W1	HEAT-B	1080	196	217	239	263	-	-	-	-	-	
		W1	HEAT-C	1275	308	330	355	383	-	-	-	-	-	
		W1	HEAT-D	1200	261	283	306	333	-	-	-	-	-	
DEX042 (3.5)	Cool	Low	Y1	COOL-A	920	139	166	195	224	255	286	319	352	386
			Y1	COOL-B	790	100	124	149	176	205	235	266	299	333
			Y1	COOL-C	850	117	143	170	198	227	257	289	322	356
			Y1	COOL-D	980	159	188	218	249	281	313	346	379	414
		High	Y1+Y2	COOL-A	1400	338	383	426	468	509	549	589	627	664
			Y1+Y2	COOL-B	1200	245	281	318	354	390	426	462	497	533
			Y1+Y2	COOL-C	1300	290	330	370	409	447	485	523	560	596
			Y1+Y2	COOL-D	1500	391	439	486	532	576	618	660	700	739
	Heat	W1	HEAT-A	1225	256	293	330	367	-	-	-	-	-	
		W1	HEAT-B	1100	203	237	270	304	-	-	-	-	-	
		W1	HEAT-C	1350	314	356	397	438	-	-	-	-	-	
		W1	HEAT-D	1225	256	293	330	367	-	-	-	-	-	
DEX048 (4.0)	Cool	Low	Y1	COOL-A	1050	184	216	248	280	313	346	380	414	449
			Y1	COOL-B	920	139	166	195	224	255	286	319	352	386
			Y1	COOL-C	980	159	188	218	249	281	313	346	379	414
			Y1	COOL-D	1120	211	245	279	313	348	382	417	452	486
		High	Y1+Y2	COOL-A	1600	448	500	551	600	647	693	736	779	819
			Y1+Y2	COOL-B	1400	338	383	426	468	509	549	589	627	664
			Y1+Y2	COOL-C	1500	391	439	486	532	576	618	660	700	739
			Y1+Y2	COOL-D	1700	508	565	620	672	723	772	818	863	905
	Heat	W1	HEAT-A	1600	448	500	551	600	647	-	-	-	-	
		W1	HEAT-B	1440	359	405	449	493	535	-	-	-	-	
		W1	HEAT-C	1760	546	606	663	718	771	-	-	-	-	
		W1	HEAT-D	1600	448	500	551	600	647	-	-	-	-	

## DEX Bottom Duct Application

Model (Tons)	Mode		Thermostat Input	Speed Tap	CFM	External Static Pressure (Inch Water Gauge)									
						0.2	0.3	0.4	0.5	0.6	0.7	0.8	0.9	1.0	
						Watts	Watts	Watts	Watts	Watts	Watts	Watts	Watts	Watts	
DEX024 (2.0)	Cool	Low	Y1	COOL-A	600	57	74	91	108	126	143	161	179	197	
			Y1	COOL-B	450	39	54	69	84	100	117	134	152	171	
			Y1	COOL-C	525	47	63	79	95	112	129	146	164	182	
			Y1	COOL-D	675	71	88	106	124	142	161	179	198	216	
		High	Y1+Y2	COOL-A	800	99	117	137	156	176	196	217	237	258	
			Y1+Y2	COOL-B	600	57	74	91	108	126	143	161	179	197	
			Y1+Y2	COOL-C	700	76	94	112	130	148	167	186	205	224	
			Y1+Y2	COOL-D	900	126	146	166	187	208	231	253	277	300	
	Heat	W1	HEAT-A	800	99	117	137	156	-	-	-	-	-		
		W1	HEAT-B	720	80	98	116	135	-	-	-	-	-		
		W1	HEAT-C	880	120	140	160	180	-	-	-	-	-		
		W1	HEAT-D	800	99	117	137	156	-	-	-	-	-		
DEX030 (2.5)	Cool	Low	Y1	COOL-A	670	61	78	95	113	130	148	166	184	201	
			Y1	COOL-B	620	54	70	87	104	121	138	156	173	191	
			Y1	COOL-C	720	70	88	106	124	142	160	178	197	215	
			Y1	COOL-D	770	81	99	118	136	155	174	193	213	232	
		High	Y1+Y2	COOL-A	1000	159	179	200	222	246	270	296	323	350	
			Y1+Y2	COOL-B	925	129	148	169	190	211	233	256	280	304	
			Y1+Y2	COOL-C	1075	194	214	236	260	285	312	341	371	403	
			Y1+Y2	COOL-D	1150	233	254	277	302	330	360	392	427	463	
	Heat	W1	HEAT-A	1000	159	179	200	222	-	-	-	-	-		
		W1	HEAT-B	900	120	139	159	180	-	-	-	-	-		
		W1	HEAT-C	1100	206	227	249	274	-	-	-	-	-		
		W1	HEAT-D	1000	159	179	200	222	-	-	-	-	-		
	DEX036 (3.0)	Cool	Low	Y1	COOL-A	900	120	139	159	180	201	222	244	267	291
				Y1	COOL-B	750	76	94	113	131	150	168	187	206	225
				Y1	COOL-C	830	97	116	135	155	174	194	215	236	256
				Y1	COOL-D	980	150	170	191	213	236	260	285	311	337
High			Y1+Y2	COOL-A	1200	261	283	306	333	362	394	429	467	507	
			Y1+Y2	COOL-B	1000	159	179	200	222	246	270	296	323	350	
			Y1+Y2	COOL-C	1100	206	227	249	274	300	328	357	389	422	
			Y1+Y2	COOL-D	1300	325	346	372	401	434	471	511	556	604	
Heat		W1	HEAT-A	1200	261	283	306	333	-	-	-	-	-		
		W1	HEAT-B	1080	196	217	239	263	-	-	-	-	-		
		W1	HEAT-C	1275	308	330	355	383	-	-	-	-	-		
		W1	HEAT-D	1200	261	283	306	333	-	-	-	-	-		
DEX042 (3.5)		Cool	Low	Y1	COOL-A	920	139	166	195	224	255	286	319	352	386
				Y1	COOL-B	790	100	124	149	176	205	235	266	299	333
				Y1	COOL-C	850	117	143	170	198	227	257	289	322	356
				Y1	COOL-D	980	159	188	218	249	281	313	346	379	414
	High		Y1+Y2	COOL-A	1400	338	383	426	468	509	549	589	627	664	
			Y1+Y2	COOL-B	1200	245	281	318	354	390	426	462	497	533	
			Y1+Y2	COOL-C	1300	290	330	370	409	447	485	523	560	596	
			Y1+Y2	COOL-D	1500	391	439	486	532	576	618	660	700	739	
	Heat	W1	HEAT-A	1225	256	293	330	367	-	-	-	-	-		
		W1	HEAT-B	1100	203	237	270	304	-	-	-	-	-		
		W1	HEAT-C	1350	314	356	397	438	-	-	-	-	-		
		W1	HEAT-D	1225	256	293	330	367	-	-	-	-	-		
	DEX048 (4.0)	Cool	Low	Y1	COOL-A	1050	184	216	248	280	313	346	380	414	449
				Y1	COOL-B	920	139	166	195	224	255	286	319	352	386
				Y1	COOL-C	980	159	188	218	249	281	313	346	379	414
				Y1	COOL-D	1120	211	245	279	313	348	382	417	452	486
High			Y1+Y2	COOL-A	1600	448	500	551	600	647	693	736	779	819	
			Y1+Y2	COOL-B	1400	338	383	426	468	509	549	589	627	664	
			Y1+Y2	COOL-C	1500	391	439	486	532	576	618	660	700	739	
			Y1+Y2	COOL-D	1700	508	565	620	672	723	772	818	863	905	
Heat		W1	HEAT-A	1600	448	500	551	600	647	-	-	-	-		
		W1	HEAT-B	1440	359	405	449	493	535	-	-	-	-		
		W1	HEAT-C	1760	546	606	663	718	771	-	-	-	-		
		W1	HEAT-D	1600	448	500	551	600	647	-	-	-	-		

## DEZ/DEQ Additional Static Resistance

Size (Tons)	CFM	Wet Indoor Coil	Economizer <sup>1</sup>	Filter/Frame Kit	Electric Heat
DEZ/DEQ 024 (2.0)	500	0.01	0.00	0.01	0.02
	600	0.01	0.00	0.02	0.03
	700	0.01	0.00	0.02	0.03
	800	0.01	0.01	0.02	0.03
	900	0.01	0.01	0.02	0.04
	1000	0.02	0.01	0.02	0.04
	1100	0.03	0.01	0.03	0.05
DEZ/DEQ 030 (2.5)	700	0.01	0.00	0.02	0.03
	800	0.01	0.01	0.02	0.03
	900	0.01	0.01	0.02	0.04
	1000	0.02	0.01	0.02	0.04
	1100	0.03	0.01	0.03	0.05
	1200	0.04	0.02	0.03	0.06
DEZ/DEQ 036 (3.0)	700	0.01	0.00	0.02	0.03
	800	0.01	0.01	0.02	0.03
	900	0.01	0.01	0.02	0.04
	1000	0.02	0.01	0.02	0.04
	1100	0.03	0.01	0.03	0.05
	1200	0.04	0.02	0.03	0.06
	1300	0.04	0.03	0.03	0.07
	1400	0.04	0.04	0.03	0.08
DEZ/DEQ 042 (3.5)	1100	0.03	0.01	0.03	0.05
	1200	0.04	0.02	0.03	0.06
	1300	0.04	0.03	0.03	0.07
	1400	0.04	0.04	0.03	0.08
	1500	0.04	0.05	0.04	0.09
	1600	0.04	0.06	0.05	0.10
	1700	0.05	0.07	0.05	0.11
	1800	0.05	0.07	0.06	0.11
	1900	0.06	0.08	0.06	0.11
	2000	0.07	0.08	0.07	0.12
DEZ/DEQ 048 (4.0)	1100	0.03	0.01	0.03	0.05
	1200	0.04	0.02	0.03	0.06
	1300	0.04	0.03	0.03	0.07
	1400	0.04	0.04	0.03	0.08
	1500	0.04	0.05	0.04	0.09
	1600	0.04	0.06	0.05	0.10
	1700	0.05	0.07	0.05	0.11
	1800	0.05	0.07	0.06	0.11
	1900	0.06	0.08	0.06	0.11
	2000	0.07	0.08	0.07	0.12
DEZ/DEQ 060 (5.0)	1100	0.03	0.01	0.03	0.05
	1200	0.04	0.02	0.03	0.06
	1300	0.04	0.03	0.03	0.07
	1400	0.04	0.04	0.03	0.08
	1500	0.04	0.05	0.04	0.09
	1600	0.04	0.06	0.05	0.10
	1700	0.05	0.07	0.05	0.11
	1800	0.05	0.07	0.06	0.11
	1900	0.06	0.08	0.06	0.11
2000	0.07	0.08	0.07	0.12	

1. The pressure drop through the economizer is greater for 100% outdoor air than for 100% return air. If the resistance of the return air duct is less than 0.25 IWG, the unit will deliver less CFM during full economizer operation.

## DEX Additional Static Resistance

Model (Tons)	CFM	Wet Indoor Coil	Economizer <sup>1</sup>	Filter/Frame Kit	Electric Heat
DEX024 (2.0)	500	0.01	0.00	0.01	0.02
	600	0.01	0.00	0.02	0.03
	700	0.01	0.00	0.02	0.03
	800	0.01	0.01	0.02	0.03
	900	0.01	0.01	0.02	0.04
	1000	0.02	0.01	0.02	0.04
	1100	0.03	0.01	0.03	0.05
DEX030 (2.5)	1200	0.04	0.02	0.03	0.06
	700	0.01	0.00	0.02	0.03
	800	0.01	0.01	0.02	0.03
	900	0.01	0.01	0.02	0.04
	1000	0.02	0.01	0.02	0.04
	1100	0.03	0.01	0.03	0.05
DEX036 (3.0)	1200	0.04	0.02	0.03	0.06
	1300	0.04	0.03	0.03	0.07
	1400	0.04	0.04	0.03	0.08
	700	0.01	0.00	0.02	0.03
	800	0.01	0.01	0.02	0.03
	900	0.01	0.01	0.02	0.04
	1000	0.02	0.01	0.02	0.04
	1100	0.03	0.01	0.03	0.05
DEX042 (3.5)	1200	0.04	0.02	0.03	0.06
	1300	0.04	0.03	0.03	0.07
	1400	0.04	0.04	0.03	0.08
	1500	0.05	0.05	0.04	0.09
	1600	0.06	0.06	0.05	0.10
	1100	0.03	0.01	0.03	0.05
DEX048 (4.0)	1200	0.04	0.02	0.03	0.06
	1300	0.04	0.03	0.03	0.07
	1400	0.04	0.04	0.03	0.08
	1500	0.04	0.05	0.04	0.09
	1600	0.04	0.06	0.05	0.10
	1700	0.05	0.07	0.05	0.11
	1800	0.05	0.07	0.06	0.11
	1900	0.06	0.08	0.06	0.11
	2000	0.07	0.08	0.07	0.12

1. The pressure drop through the economizer is greater for 100% outdoor air than for 100% return air. If the resistance of the return air duct is less than 0.25 IWG, the unit will deliver less CFM during full economizer operation.

**DEZ Electric Heat Minimum Supply Air**

Model (Tons)	Voltage	Minimum Supply Air (CFM)					
		Heater kW					
		3.8/5.0	5.6/7.5	7.5/10.0	11.3/15.0	15.0/20.0	18.8/25.0
DEZ024 (2.0)	208/230-1-60	800	800	800	-	-	-
DEZ030 (2.5)	208/230-1-60	800	800	800	1000	-	-
DEZ036 (3.0)	208/230-1-60	1200	1200	1200	1200	-	-
	208/230-3-60	1200	1200	1200	1200	-	-
	460-3-60	1200	1200	1200	1200	-	-
DEZ042 (3.5)	208/230-1-60	1200	1200	1200	1200	-	-
	208/230-3-60	-	-	1200	1200	-	-
	460-3-60	-	-	1200	1200	-	-
DEZ048 (4.0)	208/230-1-60	-	-	1600	1600	1600	1600
	208/230-3-60	-	-	1600	1600	1600	1600
	460-3-60	-	-	1600	1600	1600	1600
DEZ060 (5.0)	208/230-1-60	-	-	1900	1900	1900	1900
	208/230-3-60	-	-	1900	1900	1900	1900
	460-3-60	-	-	1900	1900	1900	1900

**DEQ Electric Heat Minimum Supply Air**

Model (Tons)	Voltage	Minimum Supply Air (CFM)					
		Heater kW					
		5.0	7.5	10.0	15.0	20.0	25.0
DEQ024 (2.0)	208/230-1-60	630	630	800	-	-	-
DEQ030 (2.5)	208/230-1-60	630	630	800	800	-	-
DEQ036 (3.0)	208/230-1-60	1070	1070	1070	1070	-	-
	208/230-3-60	1070	1070	1070	1070	-	-
	460-3-60	1070	1070	1070	1070	-	-
DEQ042 (3.5)	208/230-1-60	1225	1225	1225	1225	-	-
	208/230-3-60	1225	1225	1225	1225	-	-
	460-3-60	1225	1225	1225	1225	-	-
DEQ048 (4.0)	208/230-1-60	-	-	1200	1430	1430	1430
	208/230-3-60	-	-	1200	1430	1430	1430
	460-3-60	-	-	1200	1430	1430	1430
DEQ060 (5.0)	208/230-1-60	-	-	1615	1615	1955	1955
	208/230-3-60	-	-	1615	1615	1955	1955
	460-3-60	-	-	1615	1615	1955	1955

**DEX Electric Heat Minimum Supply Air**

Model (Tons)	Voltage	Minimum Supply Air (CFM)					
		Heater kW					
		5.0	7.5	10.0	15.0	20.0	25.0
DEX024 (2.0)	208/230-1-60	630	630	800	-	-	-
DEX030 (2.5)	208/230-1-60	630	630	800	800	-	-
DEX036 (3.0)	208/230-1-60	1070	1070	1070	1070	-	-
	208/230-3-60	1070	1070	1070	1070	-	-
	460-3-60	1070	1070	1070	1070	-	-
DEX042 (3.5)	208/230-1-60	1225	1225	1225	1225	-	-
	208/230-3-60	1225	1225	1225	1225	-	-
	460-3-60	1225	1225	1225	1225	-	-
DEX048 (4.0)	208/230-1-60	-	-	1200	1430	1430	1430
	208/230-3-60	-	-	1200	1430	1430	1430
	460-3-60	-	-	1200	1430	1430	1430

**DEZ/DEQ/DEX Indoor Blower Specifications**

Size (Tons)	Motor				
	HP	RPM	Eff.	SF	Frame
024 (2.0)	1/2	Variable	0.8	1.0	48
030 (2.5)	1/2	Variable	0.8	1.0	48
036 (3.0)	1/2	Variable	0.8	1.0	48
042 (3.5)	3/4	Variable	0.8	1.0	48
048 (4.0)	3/4	Variable	0.8	1.0	48
060 (5.0)	1	Variable	0.8	1.0	48

**Electric Heat Multipliers**

Voltage		kW Capacity Multipliers <sup>1</sup>
Nominal	Applied	
240	208	0.75
	230	0.92
480	460	0.92

1. Electric heaters are rated at nominal voltage. Use this table to determine the electric heat capacity for heaters applied at lower voltages.

**Sound Performance****DEZ Outdoor Sound Power Levels**

Size (Tons)	Sound Rating <sup>1</sup> dB (A)	Octave Band Centerline Frequency (Hz)						
		125	250	500	1000	2000	4000	8000
DEZ024 (2.0)	80	72	70	65	76	66	72	58
DEZ030 (2.5)	79	66	67	67	76	75	66	57
DEZ036 (3.0)	74	65	64	67	68	67	65	59
DEZ042 (3.5)	74	64	65	68	69	63	59	57
DEZ048 (4.0)	80	71	72	74	73	69	67	62
DEZ060 (5.0)	80	68	71	74	73	72	72	60

1. Rated in accordance with AHRI 270 standard.

**DEQ Outdoor Sound Power Levels**

Size (Tons)	Sound Rating <sup>1</sup> dB (A)	Octave Band Centerline Frequency (Hz)						
		125	250	500	1000	2000	4000	8000
DEQ024 (2.0)	80	72	70	65	76	66	72	58
DEQ030 (2.5)	79	66	67	67	76	75	66	57
DEQ036 (3.0)	74	65	64	67	68	67	65	59
DEQ042 (3.5)	74	64	65	68	69	63	59	57
DEQ048 (4.0)	80	71	72	74	73	69	67	62
DEQ060 (5.0)	80	68	71	74	73	72	72	60

1. Rated in accordance with AHRI 270 standard.

**DEX Outdoor Sound Power Levels**

Size (Tons)	Sound Rating <sup>1</sup> dB (A)	Octave Band Centerline Frequency (Hz)						
		125	250	500	1000	2000	4000	8000
DEX024 (2.0)	73	61.5	64.5	68.5	66.5	62	60	54
DEX030 (2.5)	77	60	62.5	64.5	75.5	62.5	59.5	58.5
DEX036 (3.0)	78	63	65	76	73	64.5	62.5	60
DEX042 (3.5)	76	67.5	68.5	69.5	69	66	63.5	60
DEX048 (4.0)	79	71.5	69.5	71.5	75.5	68	67	62

1. Rated in accordance with AHRI 270 standard.



## Electrical Data

### DEZ Electrical Data

Model (Tons)	Volt	Compressor			OD Fan Motor FLA	Supply Blower Motor FLA	Electric Heat Option				MCA <sup>1</sup> (Amps)	Max Fuse <sup>2</sup> / Breaker <sup>3</sup> Size (Amps)
		RLA	LRA	MCC			Model	kW	Stages	Amps		
DEZ024 (2.0)	208/230-1-60	8.3	43	13	1.3	4.1	None	-	-	-	15.8	20
							2NH04500506	3.8 / 5	1	18.1 / 20.8	27.7 / 31.2	30 / 35
							2NH04500706	5.6 / 7.5	2	27.1 / 31.3	39 / 44.2	40 / 45
							2NH04501006	7.5 / 10	2	36.1 / 41.7	50.3 / 57.2	60 / 60
DEZ030 (2.5)	208/230-1-60	13.1	74	21	1.3	4.1	None	-	-	-	21.8	30
							2NH04500506	3.8 / 5	1	18.1 / 20.8	27.7 / 31.2	30 / 35
							2NH04500706	5.6 / 7.5	2	27.1 / 31.3	39 / 44.2	40 / 45
							2NH04501006	7.5 / 10	2	36.1 / 41.7	50.3 / 57.2	60 / 60
							2NH04501506	11.3 / 15	2	54.2 / 62.5	72.8 / 83.3	80 / 90
DEZ036 (3.0)	208/230-1-60	14.7	74	23	1.3	4.1	None	-	-	-	23.8	30
							2NH04500506	3.8 / 5	1	18.1 / 20.8	27.7 / 31.2	35 / 35
							2NH04500706	5.6 / 7.5	2	27.1 / 31.3	39 / 44.2	40 / 45
							2NH04501006	7.5 / 10	2	36.1 / 41.7	50.3 / 57.2	60 / 60
							2NH04501506	11.3 / 15	2	54.2 / 62.5	72.8 / 83.3	80 / 90
	208/230-3-60	9.1	68	14	1.3	4.1	None	-	-	-	16.8	25
							2NH04501025	7.5 / 10	1	20.8 / 24.1	31.2 / 35.2	35 / 40
							2NH04501525	11.3 / 15	1	31.3 / 36.1	44.2 / 50.2	45 / 60
							None	-	-	-	10.5	15
							2NH04501046	10	1	12	20.2	25
460-3-60	4.5	34	7	0.8	4.1	2NH04501546	15	1	18	27.7	30	
						None	-	-	-	27.3	35	
						2NH04500506	3.8 / 5	1	18.1 / 20.8	30.1 / 33.5	40 / 40	
DEZ042 (3.5)	208/230-1-60	15.7	88	25	1.7	6.0	2NH04500706	5.6 / 7.5	2	27.1 / 31.3	41.4 / 46.6	45 / 50
							2NH04501006	7.5 / 10	2	36.1 / 41.7	52.6 / 59.6	60 / 60
							2NH04501506	11.3 / 15	2	54.2 / 62.5	75.2 / 85.6	80 / 90
							None	-	-	-	19.3	25
							2NH04501025	7.5 / 10	1	20.8 / 24.1	33.6 / 37.6	35 / 40
	208/230-3-60	9.3	68	15	1.7	6.0	2NH04501525	11.3 / 15	1	31.3 / 36.1	46.6 / 52.6	50 / 60
							None	-	-	-	13.6	15
							2NH04501046	10	1	12	22.5	25
	460-3-60	5.1	34	8	1.0	6.0	2NH04501546	15	1	18	30.1	35
							None	-	-	-	28.7	35
2NH04501006							7.5 / 10	2	36.1 / 41.7	52.6 / 59.6	60 / 60	
DEZ048 (4.0)	208/230-1-60	16.8	115	25	1.7	6.0	2NH04501506	11.3 / 15	2	54.2 / 62.5	75.2 / 85.6	80 / 90
							2NH04502006	15 / 20	2	72.2 / 83.3	97.8 / 111.7	100 / 125
							2NH04502506	18.8 / 25	2	90.3 / 104.2	120.3 / 137.7	125 / 150
							None	-	-	-	21.7	30
							2NH04501025	7.5 / 10	1	20.8 / 24.1	33.6 / 37.6	35 / 40
	208/230-3-60	11.2	120	18	1.7	6.0	2NH04501525	11.3 / 15	1	31.3 / 36.1	46.6 / 52.6	50 / 60
							2NH04502025	15 / 20	2	41.7 / 48.1	59.6 / 67.6	60 / 70
							2NH04502525	18.8 / 25	2	52.1 / 60.1	72.7 / 82.7	80 / 90
							None	-	-	-	13.6	15
							2NH04501046	10	1	12	22.5	25
	460-3-60	5.1	50	8	1.0	6.0	2NH04501546	15	1	18	30.1	35
							2NH04502046	20	2	24.1	37.6	40
							2NH04502546	25	2	30.1	45.1	50
None							-	-	-	42.6	50	
DEZ060 (5.0)	208/230-1-60	26.2	150	41	2.2	7.6	2NH04501006	7.5 / 10	2	36.1 / 41.7	54.6 / 61.6	60 / 70
							2NH04501506	11.3 / 15	2	54.2 / 62.5	77.2 / 87.6	80 / 90
							2NH04502006	15 / 20	2	72.2 / 83.3	99.8 / 113.7	100 / 125
							2NH04502506	18.8 / 25	2	90.3 / 104.2	122.3 / 139.7	125 / 150
							None	-	-	-	32.2	40
	208/230-3-60	17.9	120	28	2.2	7.6	2NH04501025	7.5 / 10	1	20.8 / 24.1	35.6 / 39.6	45 / 50
							2NH04501525	11.3 / 15	1	31.3 / 36.1	48.6 / 54.6	50 / 60
							2NH04502025	15 / 20	2	41.7 / 48.1	61.6 / 69.6	70 / 70
							2NH04502525	18.8 / 25	2	52.1 / 60.1	74.7 / 84.7	80 / 90
							None	-	-	-	20.7	25
	460-3-60	9.6	70	15	1.1	7.6	2NH04501046	10	1	12	24.5	30
							2NH04501546	15	1	18	32.1	35
							2NH04502046	20	2	24.1	39.6	40
2NH04502546							25	2	30.1	47.1	50	

1. Minimum Circuit Ampacity.
2. Maximum Over Current Protection per standard UL 1995.
3. Fuse or HACR circuit breaker size installed at factory or field installed.

**DEQ Electrical Data**

Model (Tons)	Volt	Compressor			OD Fan Motor	Supply Blower Motor	Electric Heat Option				MCA <sup>1</sup> (Amps)	Max Fuse <sup>2</sup> / Breaker <sup>3</sup> Size (Amps)
		RLA	LRA	MCC	FLA	FLA	Model	kW	Stages	Amps		
DEQ024 (2.0)	208/230-1-60	8.3	43	13	1.2	4.3	None	-	-	-	15.9	20
							2NH04500506	3.8 / 5	1	18.1 / 20.8	27.9 / 31.4	30 / 35
							2NH04500706	5.6 / 7.5	2	27.1 / 31.3	39.2 / 44.4	40 / 45
DEQ030 (2.5)	208/230-1-60	13.1	74	21	1.2	4.3	None	--	-	--	21.9	30
							2NH04500506	3.8 / 5	1	18.1 / 20.8	27.9 / 31.4	30 / 35
							2NH04500706	5.6 / 7.5	2	27.1 / 31.3	39.2 / 44.4	40 / 45
DEQ036 (3.0)	208/230-1-60	14.7	74	23	1.2	4.3	None	-	-	-	23.9	30
							2NH04500506	3.8 / 5	1	18.1 / 20.8	27.9 / 31.4	35 / 35
							2NH04500706	5.6 / 7.5	2	27.1 / 31.3	39.2 / 44.4	40 / 45
DEQ036 (3.0)	208/230-3-60	9.1	68	14	1.2	4.3	None	-	-	-	16.9	25
							2NH04501006	7.5 / 10	2	36.1 / 41.7	50.5 / 57.5	60 / 60
							2NH04501506	11.3 / 15	2	54.2 / 62.5	73.1 / 83.5	80 / 90
DEQ036 (3.0)	460-3-60	4.5	34	7	0.8	2.2	None	-	-	-	8.6	15
							2NH04501046	10	1	12	17.8	20
							2NH04501546	15	1	18	25.3	30
DEQ042 (3.5)	208/230-1-60	15.7	88	25	1.4	6.8	None	-	-	-	27.8	35
							2NH04500506	3.8 / 5	1	18.1 / 20.8	31.1 / 34.5	40 / 40
							2NH04500706	5.6 / 7.5	2	27.1 / 31.3	42.4 / 47.6	45 / 50
DEQ042 (3.5)	208/230-3-60	9.3	68	15	1.4	6.8	None	-	-	-	19.8	25
							2NH04501006	7.5 / 10	2	36.1 / 41.7	53.6 / 60.6	60 / 70
							2NH04501506	11.3 / 15	2	54.2 / 62.5	76.2 / 86.6	80 / 90
DEQ042 (3.5)	460-3-60	5.1	34	8	0.8	3.4	None	-	-	-	10.6	15
							2NH04501046	10	1	12	19.3	20
							2NH04501546	15	1	18	26.8	30
DEQ048 (4.0)	208/230-1-60	21.8	117	34	1.7	6.8	None	---	---	---	35.8	45
							2NH04501006	7.5 / 10	2	36.1 / 41.7	53.6 / 60.6	60 / 70
							2NH04501506	11.3 / 15	2	54.2 / 62.5	76.2 / 86.6	80 / 90
DEQ048 (4.0)	208/230-3-60	13.7	83	21	1.7	6.8	None	---	---	---	25.6	35
							2NH04502006	15 / 20	2	72.2 / 83.3	98.8 / 112.7	100 / 125
							2NH04502506	18.8 / 25	2	90.3 / 104.2	121.3 / 138.7	125 / 150
DEQ048 (4.0)	460-3-60	6.2	41	10	1.0	3.4	None	---	---	---	12.2	15
							2NH04501046	10	1	12	19.3	20
							2NH04501546	15	1	18	26.8	30
DEQ060 (5.0)	208/230-1-60	25.0	134	39	2.8	9.1	None	-	-	-	43.2	60
							2NH04501006	7.5 / 10	2	36.1 / 41.7	56.5 / 63.5	60 / 70
							2NH04501506	11.3 / 15	2	54.2 / 62.5	79.1 / 89.5	80 / 90
DEQ060 (5.0)	208/230-3-60	20.2	110	25	2.8	9.1	None	-	-	-	37.3	45
							2NH04502006	15 / 20	2	72.2 / 83.3	101.7 / 115.5	110 / 125
							2NH04502506	18.8 / 25	2	90.3 / 104.2	124.2 / 141.6	125 / 150
DEQ060 (5.0)	460-3-60	7.0	52	11	1.4	4.6	None	-	-	-	14.8	20
							2NH04501046	10	1	12	20.8	25
							2NH04501546	15	1	18	28.3	30
DEQ060 (5.0)	460-3-60	7.0	52	11	1.4	4.6	None	-	-	-	14.8	20
							2NH04502046	20	2	24.1	35.8	40
							2NH04502546	25	2	30.1	43.3	45

1. Minimum Circuit Ampacity.
2. Maximum Over Current Protection per standard UL 1995.
3. Fuse or HACR circuit breaker size installed at factory or field installed.

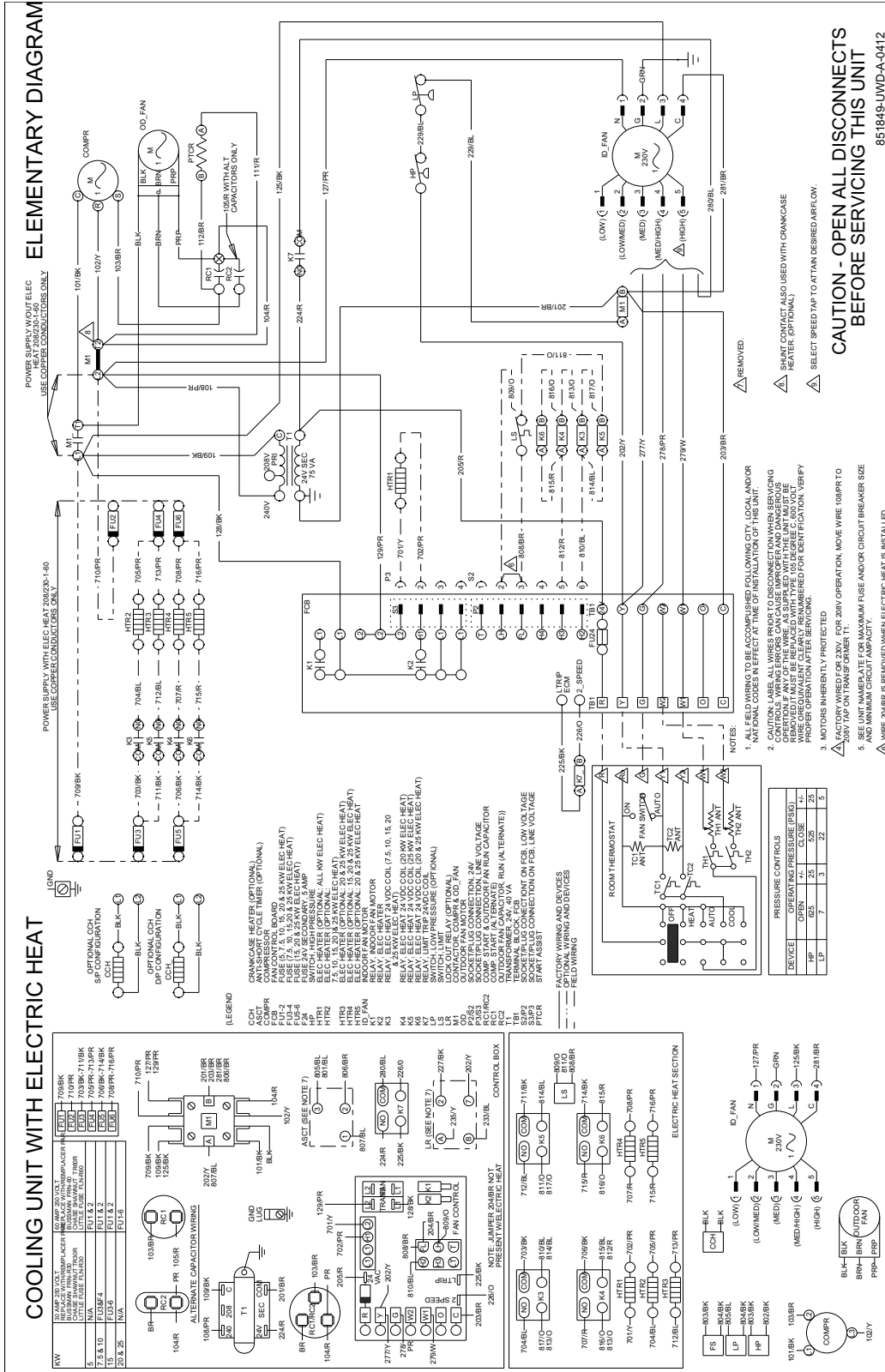
## DEX Electrical Data

Model (Tons)	Volt	Compressor			OD Fan Motor	Supply Blower Motor	Electric Heat Option				MCA <sup>1</sup> (Amps)	Max Fuse <sup>2</sup> / Breaker <sup>3</sup> Size (Amps)
		RLA	LRA	MCC	FLA	FLA	Model	kW	Stages	Amps		
DEX024 (2.0)	208/230-1-60	10.2	52	16	1.2	4.3	None	-	-	-	18.3	25
							2NH04500506	3.8/5	1	18.1/20.8	27.9 / 31.4	30 / 35
							2NH04500706	5.6/7.5	2	27.1/31.3	39.2 / 44.4	40 / 45
							2NH04501006	7.5/10	2	36.1/41.7	50.5 / 57.5	60 / 60
DEX030 (2.5)	208/230-1-60	14.1	70	22	1.2	4.3	None	-	-	-	23.1	30
							2NH04500506	3.8/5	1	18.1/20.8	27.9 / 31.4	35 / 35
							2NH04500706	5.6/7.5	2	27.1/31.3	39.2 / 44.4	40 / 45
							2NH04501006	7.5/10	2	36.1/41.7	50.5 / 57.5	60 / 60
							2NH04501506	11.3/15	2	54.2/62.5	73.1 / 83.5	80 / 90
DEX036 (3.0)	208/230-1-60	16.6	82	26	1.2	4.3	None	-	-	-	26.3	35
							2NH04500506	3.8/5	1	18.1/20.8	27.9 / 31.4	35 / 40
							2NH04500706	5.6/7.5	2	27.1/31.3	39.2 / 44.4	40 / 45
							2NH04501006	7.5/10	2	36.1/41.7	50.5 / 57.5	60 / 60
							2NH04501506	11.3/15	2	54.2/62.5	73.1 / 83.5	80 / 90
	208/230-3-60	11.1	58	17	1.2	4.3	None	-	-	-	19.4	25
							2NH04501025	7.5/10	1	20.8/24.1	31.4 / 35.4	35 / 40
							2NH04501525	11.3/15	1	31.3/36.1	44.5 / 50.5	45 / 60
	460-3-60	4.5	29	7	0.8	4.3	None	-	-	-	10.7	15
							2NH04501046	10	1	12	20.4	25
							2NH04501546	15	1	18	27.9	30
							None	-	-	-	29	35
DEX042 (3.5)	208/230-1-60	16.6	96	26	1.4	6.8	None	-	-	-	25	30
							2NH04500506	3.8/5	1	18.1/20.8	31.1 / 34.5	40 / 45
							2NH04500706	5.6/7.5	2	27.1/31.3	42.4 / 47.6	45 / 50
							2NH04501006	7.5/10	2	36.1/41.7	53.6 / 60.6	60 / 70
							2NH04501506	11.3/15	2	54.2/62.5	76.2 / 86.6	80 / 90
	208/230-3-60	13.4	88	21	1.4	6.8	None	-	-	-	15.4	20
							2NH04501025	7.5/10	1	20.8/24.1	34.6 / 38.6	35 / 40
							2NH04501525	11.3/15	1	31.3/36.1	47.6 / 53.6	50 / 60
	460-3-60	6.1	44	10	0.8	6.8	None	-	-	-	15.4	20
							2NH04501046	10	1	12	23.5	25
							2NH04501546	15	1	18	31.1	35
							None	-	-	-	34.9	45
DEX048 (4.0)	208/230-1-60	21.1	96	33	1.7	6.8	None	-	-	-	25.3	35
							2NH04501006	7.5/10	2	36.1/41.7	53.6 / 60.6	60 / 70
							2NH04501506	11.3/15	2	54.2/62.5	76.2 / 86.6	80 / 90
							2NH04502006	15/20	2	72.2/83.3	98.8 / 112.7	100 / 125
							2NH04502506	18.8/25	2	90.3/104.2	121.3 / 138.7	125 / 150
	208/230-3-60	13.4	88	21	1.7	6.8	None	-	-	-	25.3	35
							2NH04501025	7.5/10	1	20.8/24.1	34.6 / 38.6	35 / 40
							2NH04501525	11.3/15	1	31.3/36.1	47.6 / 53.6	50 / 60
							2NH04502025	15/20	2	41.7/48.1	60.6 / 68.6	70 / 70
							2NH04502525	18.8/25	2	52.1/60.1	73.7 / 83.7	80 / 90
	460-3-60	6.4	41	10	1.0	6.8	None	-	-	-	15.9	20
							2NH04501046	10	1	12	23.5	25
2NH04501546							15	1	18	31.1	35	
2NH04502046							20	2	24.1	38.6	40	
2NH04502546							25	2	30.1	46.1	50	

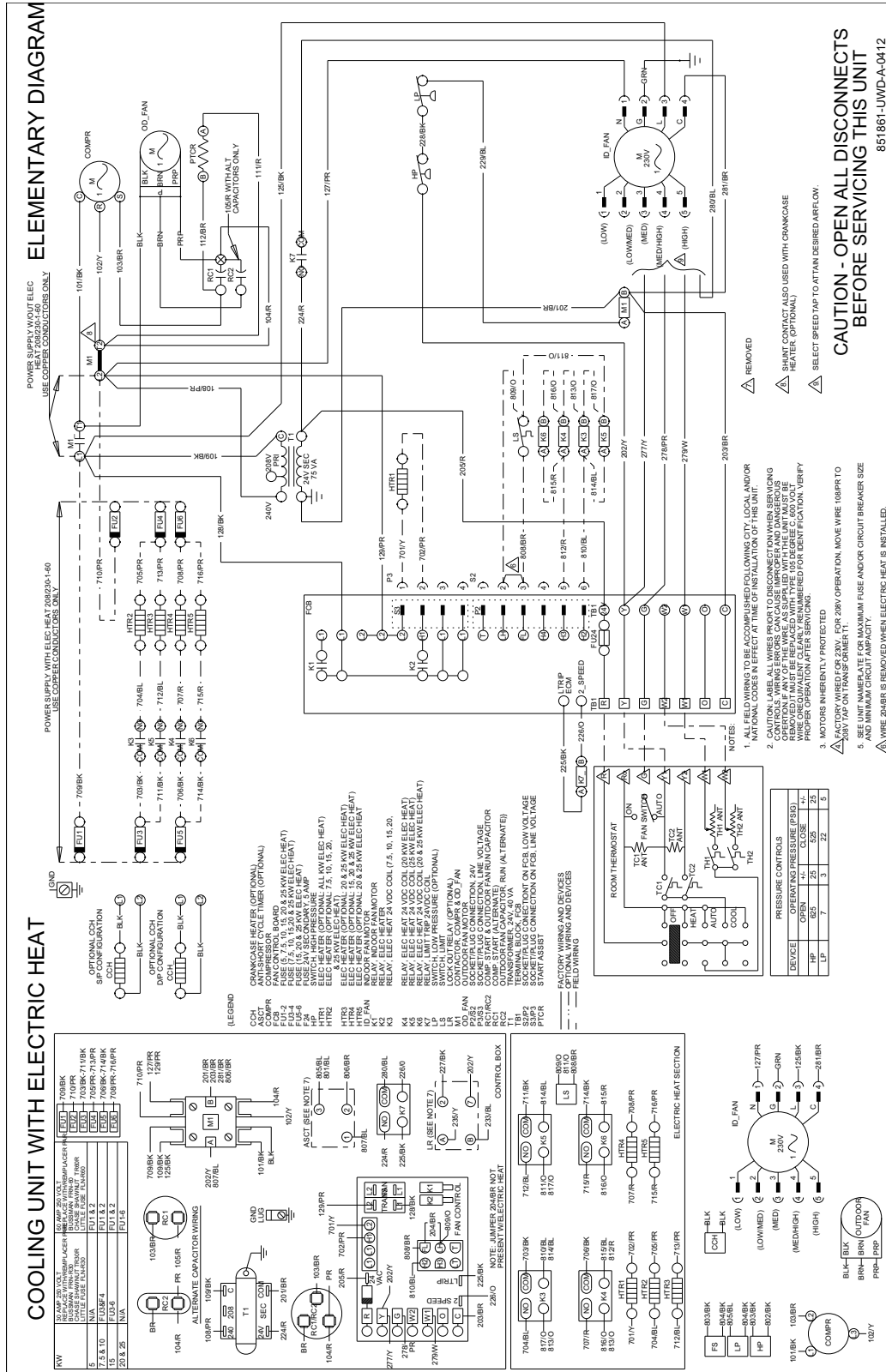
1. Minimum Circuit Ampacity.
2. Maximum Over Current Protection per standard UL 1995.
3. Fuse or HACR circuit breaker size installed at factory or field installed.

# Typical Wiring Diagrams

## Typical DEZ024-042 Cooling Only 208/230-1-60 volt Wiring Diagram

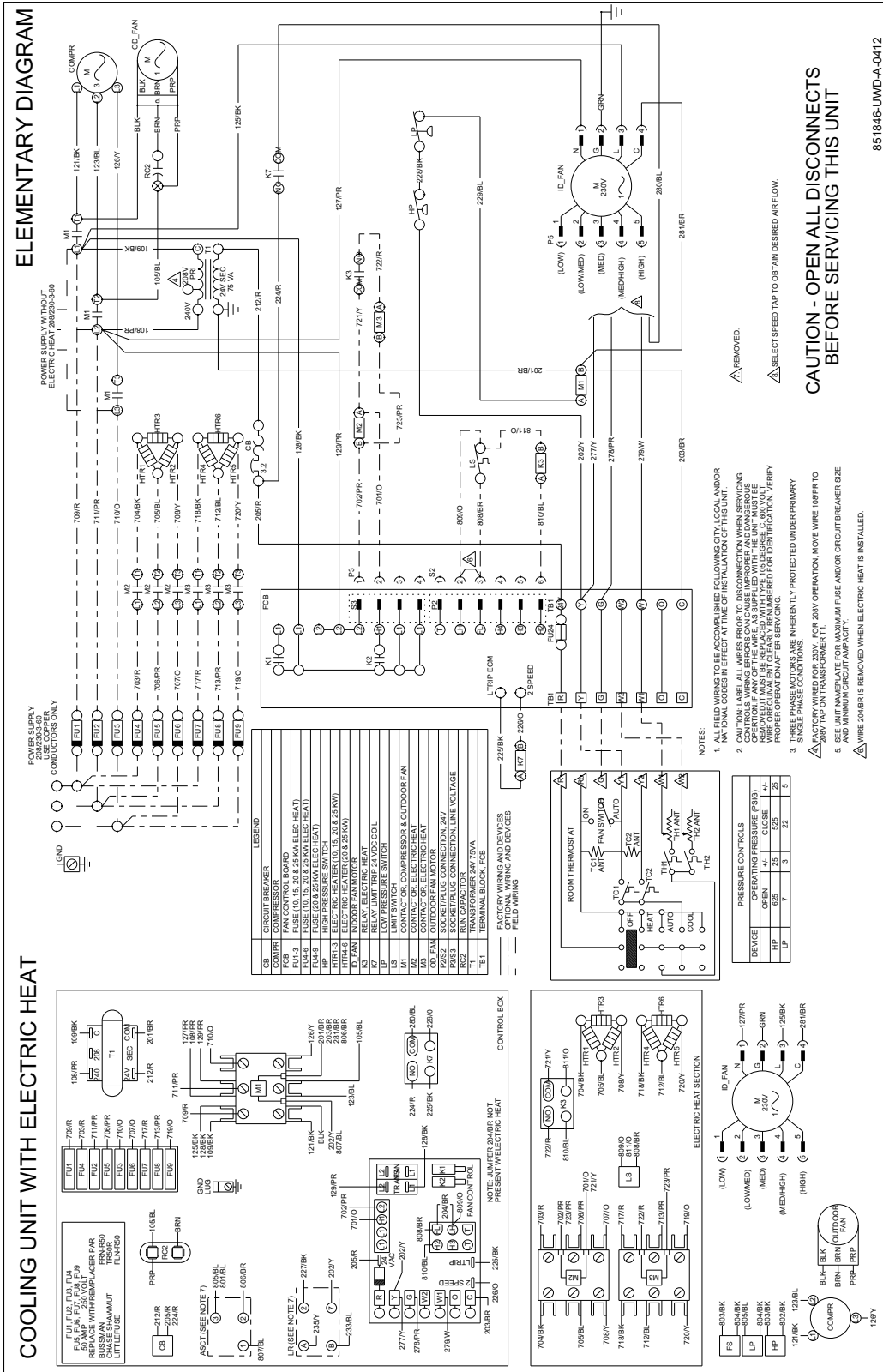


Typical DEZ048 Cooling Only 208/230-1-60 Volt Wiring Diagram

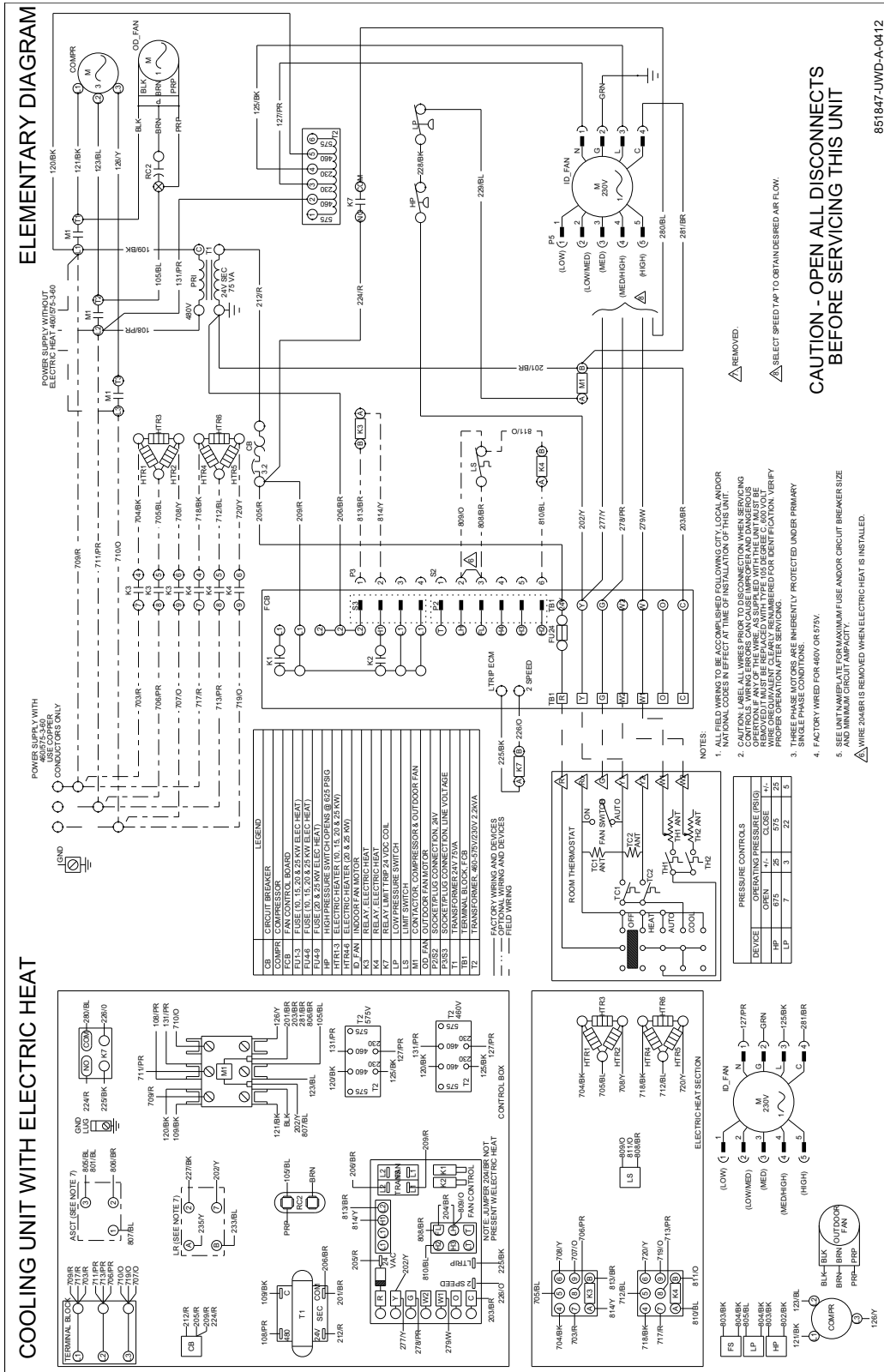




### Typical DEZ036, 060 Cooling Only 208/230-3-60 volt Wiring Diagram

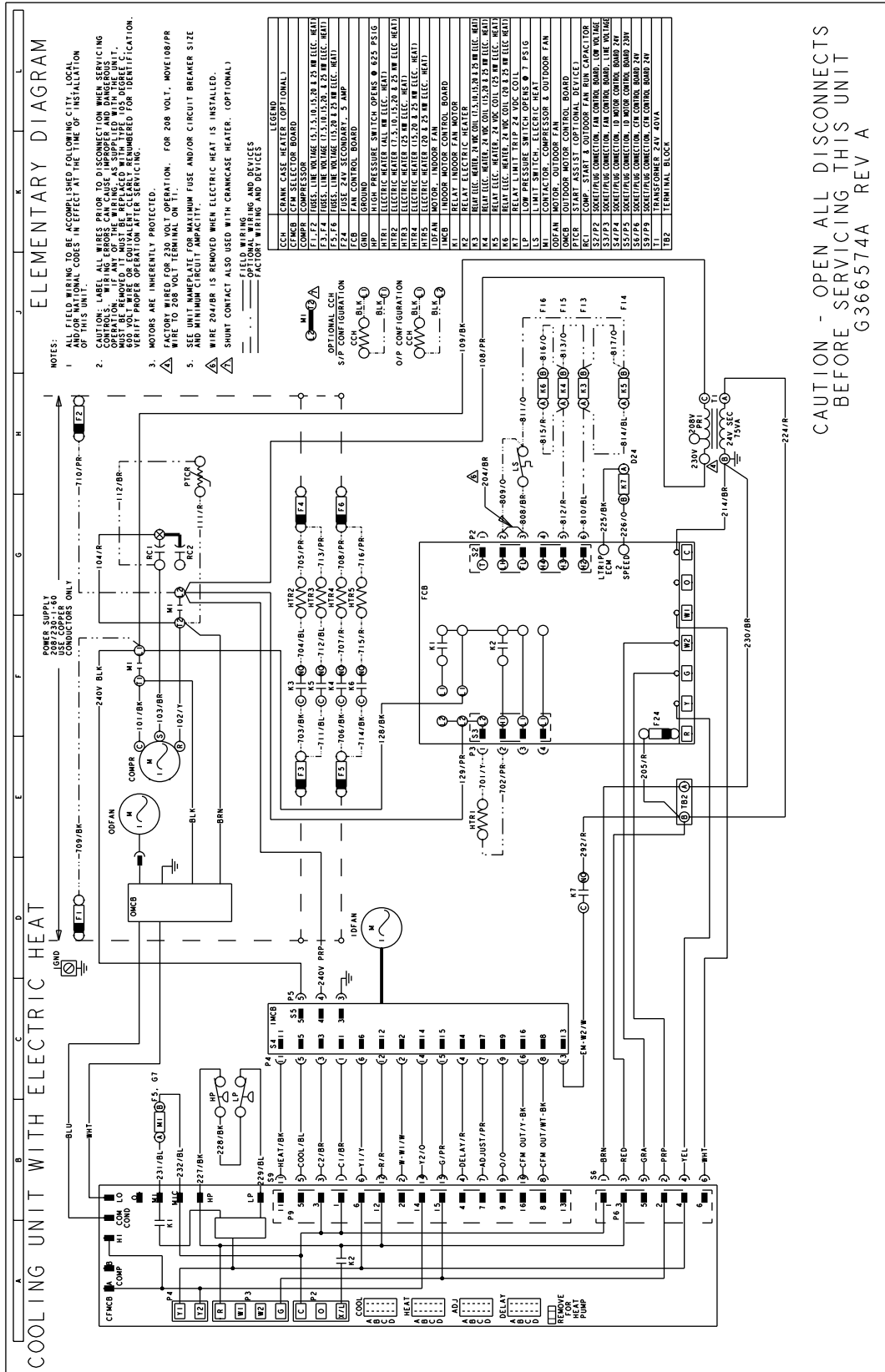


Typical DEZ036, 060 Cooling Only 460-3-60 volt Wiring Diagram



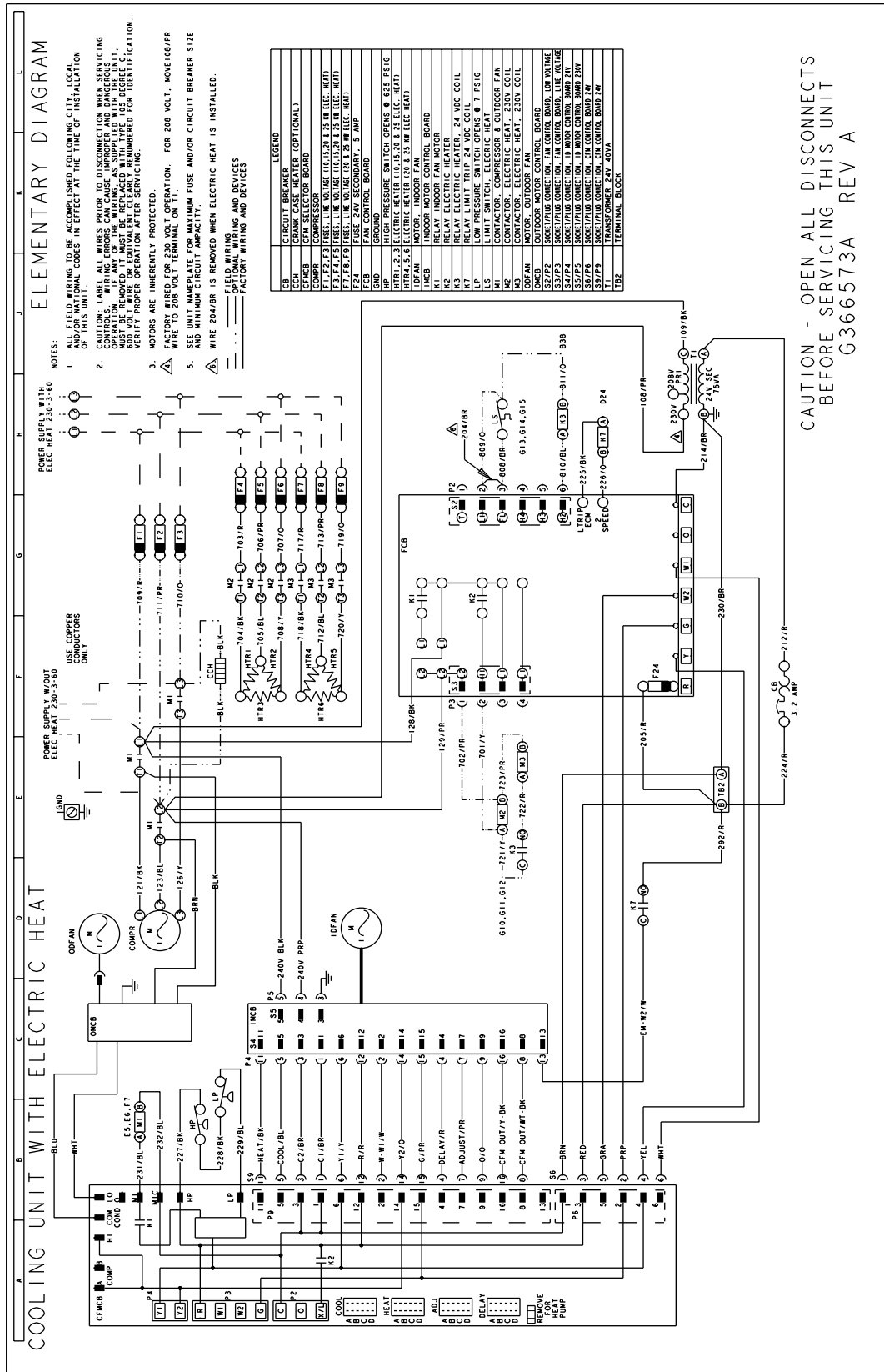


Typical DEQ060 Cooling Only 208/230-1-60 volt Wiring Diagram





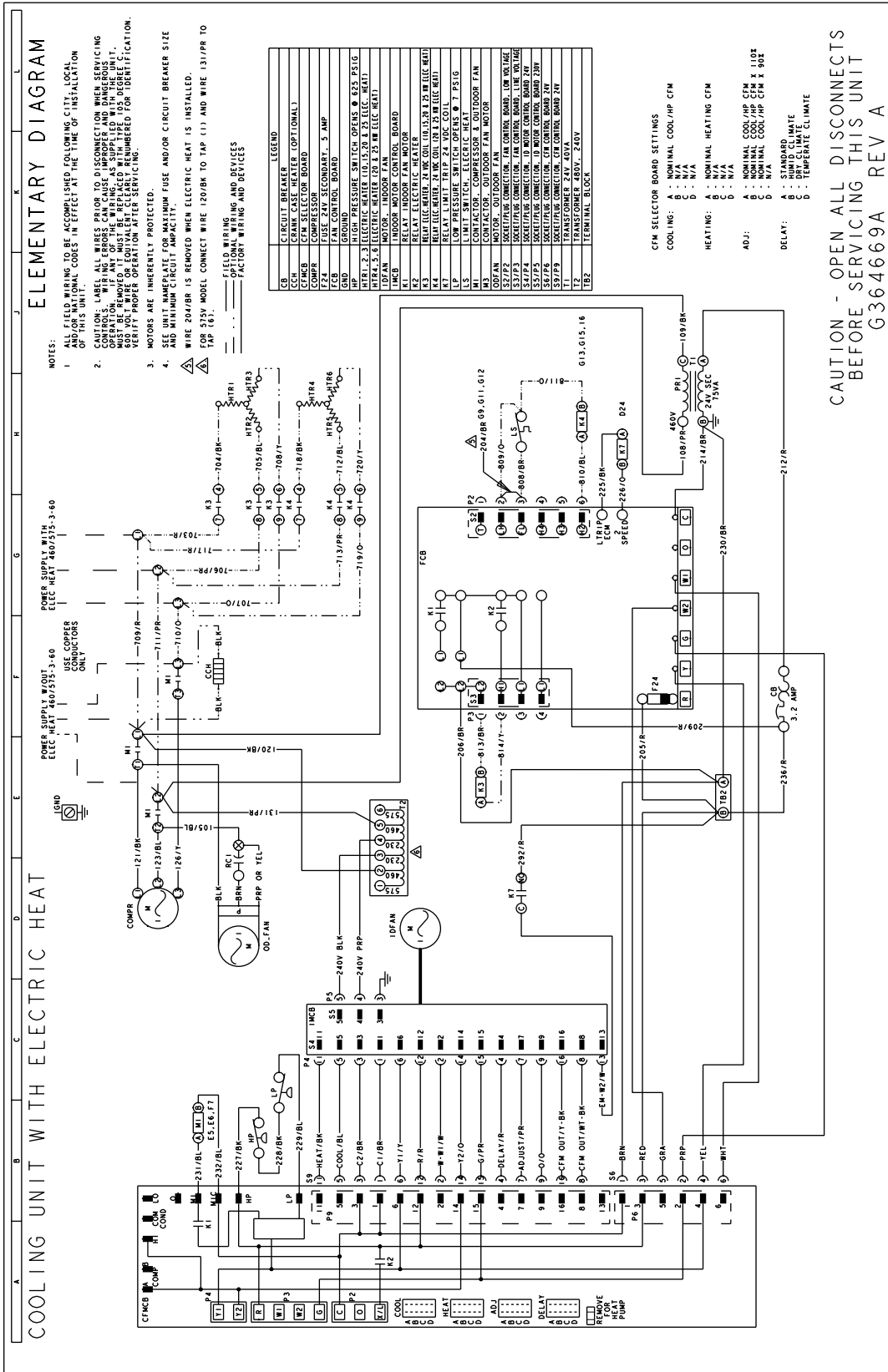
Typical DEQ060 Cooling Only 208/230-3-60 volt Wiring Diagram



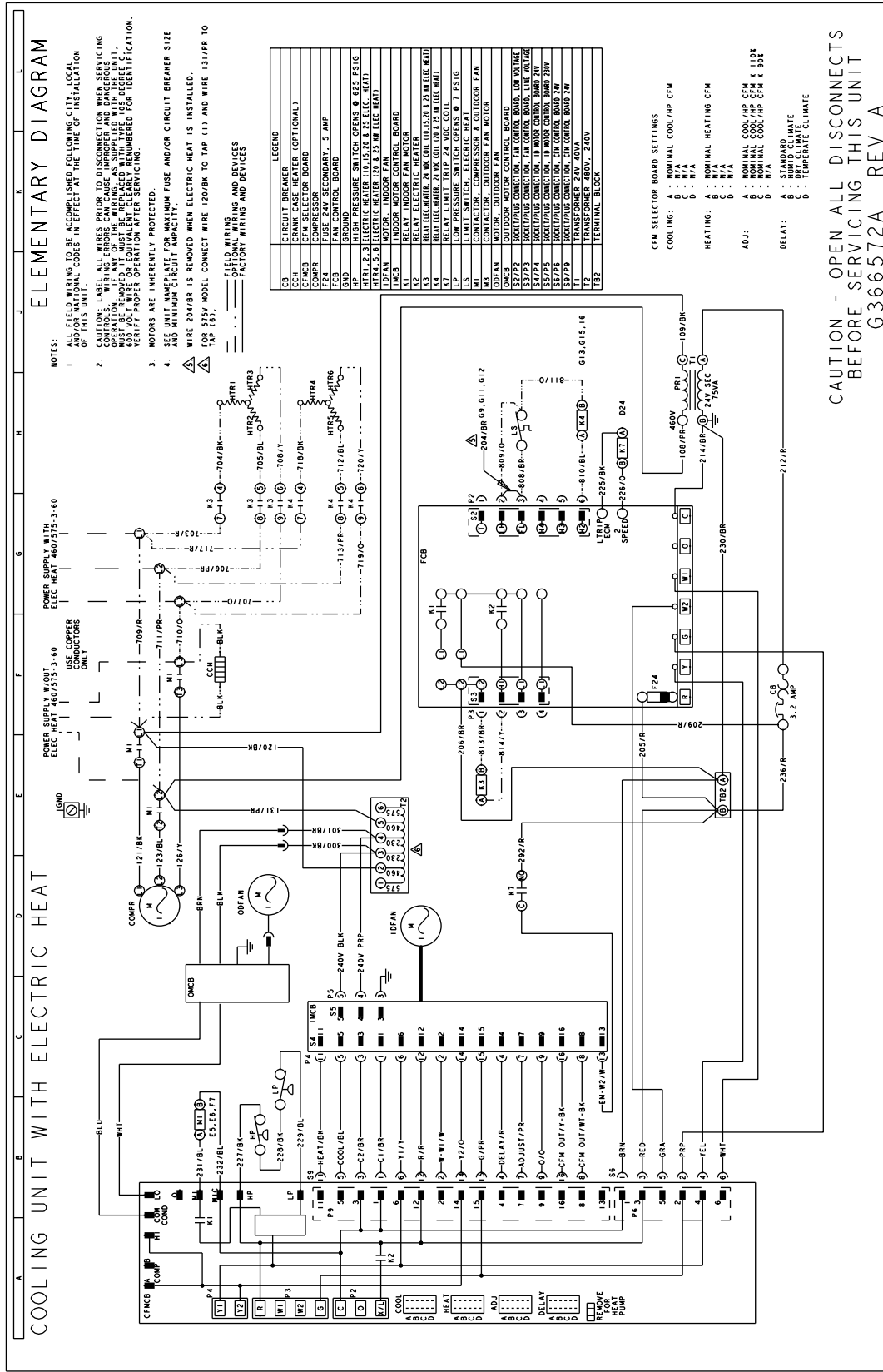
CAUTION - OPEN ALL DISCONNECTS BEFORE SERVICING THIS UNIT

G366573A REV A

Typical DEQ036-048 Cooling Only 460-3-60 volt Wiring Diagram



# Typical DEQ060 Cooling Only 460-3-60 volt Wiring Diagram



## ELEMENTARY DIAGRAM

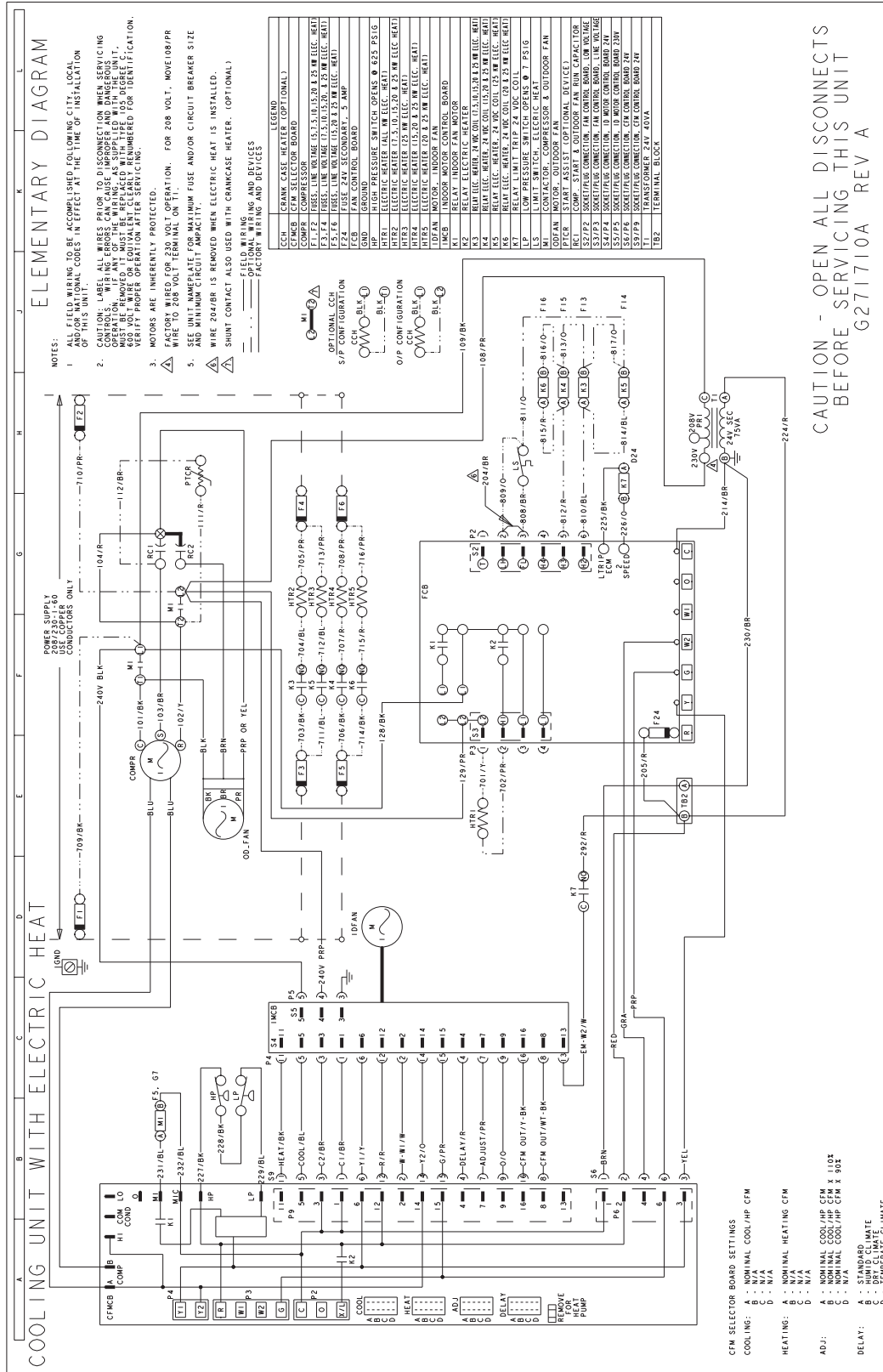
- NOTES:**
1. ALL FIELD WIRING TO BE ACCOMPLISHED FOLLOWING CITY, LOCAL AND FIELD WIRING CODES IN EFFECT AT THE TIME OF INSTALLATION OF THIS UNIT.
  2. CAUTION: LABEL ALL WIRES PRIOR TO DISCONNECTION WHEN SERVICING CONTROLS. WIRING ERRORS CAN CAUSE IMPROPER AND DANGEROUS OPERATION. WIRING MUST BE RECHECKED AFTER SERVICING. WIRING MUST BE REMOVED IF IT MUST BE REPLACED WITH TYPE 105 DEGREE C. WIRING MUST BE IDENTIFIED AND NUMBERED FOR IDENTIFICATION. VERIFY PROPER OPERATION AFTER SERVICING.
  3. MOTORS ARE INHERENTLY PROTECTED.
  4. SEE UNIT NAMEPLATE FOR MAXIMUM FUSE AND/OR CIRCUIT BREAKER SIZE AND MINIMUM CIRCUIT AMPACITY.
- WIRE 204/BR IS REMOVED WHEN ELECTRIC HEAT IS INSTALLED.  
WIRE 204/BR IS REMOVED WHEN WIRE 120/BR TO TAP (1) AND WIRE 131/PR TO TAP (6).
- FIELD WIRING AND DEVICES  
FACTORY WIRING AND DEVICES

TERMINAL	DESCRIPTION
CB	CIRCUIT BREAKER
CCN	CRANK CASE HEATER (OPTIONAL)
CFMB	CFM SELECTOR BOARD
F2A	FUSE 24V SECONDARY, 5 AMP
FCB	FAN CONTROL BOARD
GRND	GROUND
HP	HEAT PUMP
HP2	HEAT PUMP 2
HP3	HEAT PUMP 3
HP4	HEAT PUMP 4
HP5	HEAT PUMP 5
HP6	HEAT PUMP 6
HP7	HEAT PUMP 7
HP8	HEAT PUMP 8
HP9	HEAT PUMP 9
HP10	HEAT PUMP 10
HP11	HEAT PUMP 11
HP12	HEAT PUMP 12
HP13	HEAT PUMP 13
HP14	HEAT PUMP 14
HP15	HEAT PUMP 15
HP16	HEAT PUMP 16
HP17	HEAT PUMP 17
HP18	HEAT PUMP 18
HP19	HEAT PUMP 19
HP20	HEAT PUMP 20
HP21	HEAT PUMP 21
HP22	HEAT PUMP 22
HP23	HEAT PUMP 23
HP24	HEAT PUMP 24
HP25	HEAT PUMP 25
HP26	HEAT PUMP 26
HP27	HEAT PUMP 27
HP28	HEAT PUMP 28
HP29	HEAT PUMP 29
HP30	HEAT PUMP 30
HP31	HEAT PUMP 31
HP32	HEAT PUMP 32
HP33	HEAT PUMP 33
HP34	HEAT PUMP 34
HP35	HEAT PUMP 35
HP36	HEAT PUMP 36
HP37	HEAT PUMP 37
HP38	HEAT PUMP 38
HP39	HEAT PUMP 39
HP40	HEAT PUMP 40
HP41	HEAT PUMP 41
HP42	HEAT PUMP 42
HP43	HEAT PUMP 43
HP44	HEAT PUMP 44
HP45	HEAT PUMP 45
HP46	HEAT PUMP 46
HP47	HEAT PUMP 47
HP48	HEAT PUMP 48
HP49	HEAT PUMP 49
HP50	HEAT PUMP 50
HP51	HEAT PUMP 51
HP52	HEAT PUMP 52
HP53	HEAT PUMP 53
HP54	HEAT PUMP 54
HP55	HEAT PUMP 55
HP56	HEAT PUMP 56
HP57	HEAT PUMP 57
HP58	HEAT PUMP 58
HP59	HEAT PUMP 59
HP60	HEAT PUMP 60
HP61	HEAT PUMP 61
HP62	HEAT PUMP 62
HP63	HEAT PUMP 63
HP64	HEAT PUMP 64
HP65	HEAT PUMP 65
HP66	HEAT PUMP 66
HP67	HEAT PUMP 67
HP68	HEAT PUMP 68
HP69	HEAT PUMP 69
HP70	HEAT PUMP 70
HP71	HEAT PUMP 71
HP72	HEAT PUMP 72
HP73	HEAT PUMP 73
HP74	HEAT PUMP 74
HP75	HEAT PUMP 75
HP76	HEAT PUMP 76
HP77	HEAT PUMP 77
HP78	HEAT PUMP 78
HP79	HEAT PUMP 79
HP80	HEAT PUMP 80
HP81	HEAT PUMP 81
HP82	HEAT PUMP 82
HP83	HEAT PUMP 83
HP84	HEAT PUMP 84
HP85	HEAT PUMP 85
HP86	HEAT PUMP 86
HP87	HEAT PUMP 87
HP88	HEAT PUMP 88
HP89	HEAT PUMP 89
HP90	HEAT PUMP 90
HP91	HEAT PUMP 91
HP92	HEAT PUMP 92
HP93	HEAT PUMP 93
HP94	HEAT PUMP 94
HP95	HEAT PUMP 95
HP96	HEAT PUMP 96
HP97	HEAT PUMP 97
HP98	HEAT PUMP 98
HP99	HEAT PUMP 99
HP100	HEAT PUMP 100

- CFM SELECTOR BOARD SETTINGS**
- COOLING: A : NOMINAL COOL/HP CFM  
          C : N/A  
          D : N/A
- HEATING: A : NOMINAL HEATING CFM  
          C : N/A  
          D : N/A
- ADJ: A : NOMINAL COOL/HP CFM x 110%  
      C : NOMINAL COOL/HP CFM x 90%  
      D : N/A
- DELAY: A : DELAY  
       B : SHUNT CLIMATE  
       C : TEMPERATURE CLIMATE

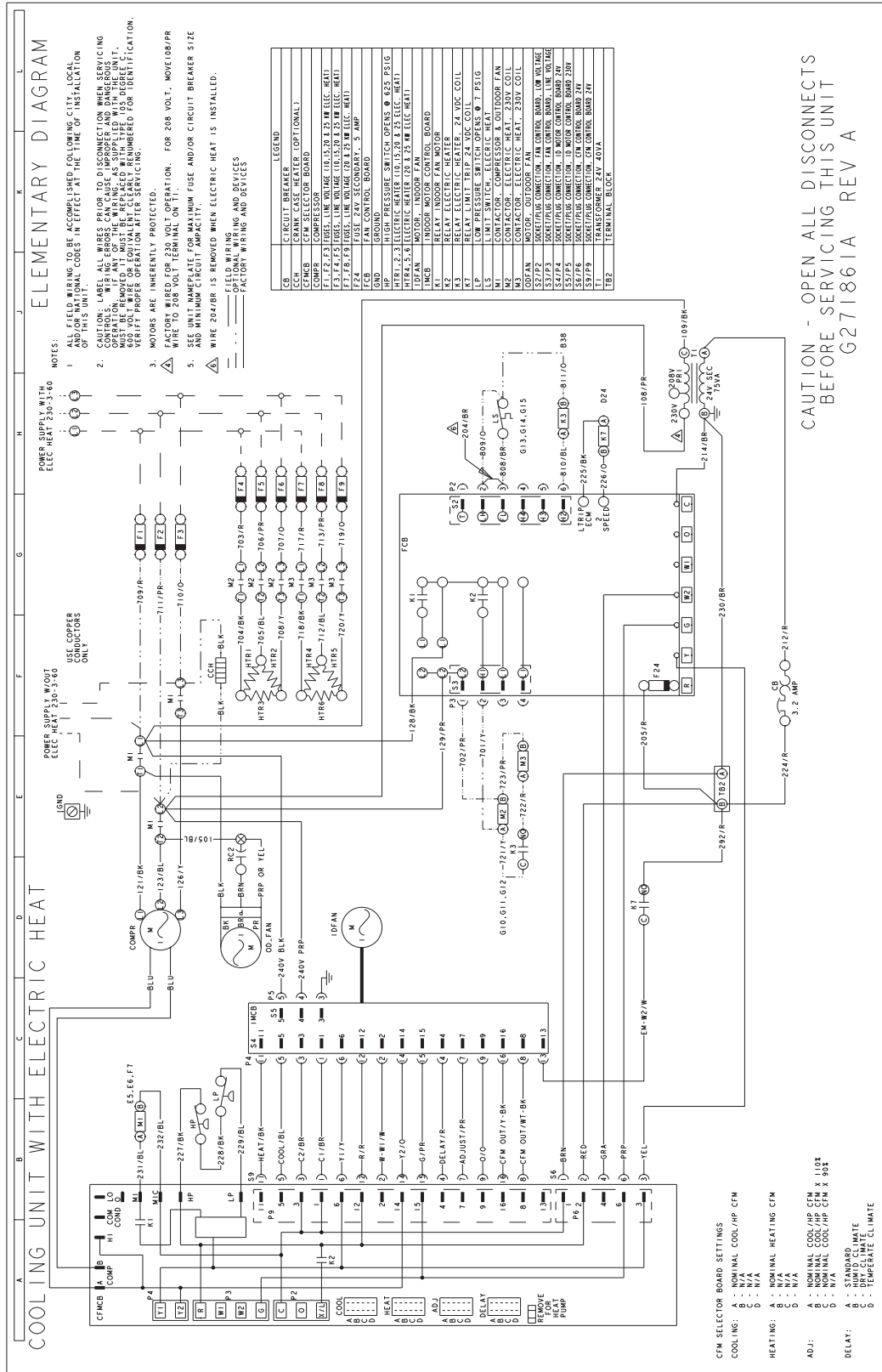
CAUTION - OPEN ALL DISCONNECTS BEFORE SERVICING THIS UNIT  
G366572A REV A

### Typical DEX024-048 Cooling Only 208/230-1-60 volt Wiring Diagram

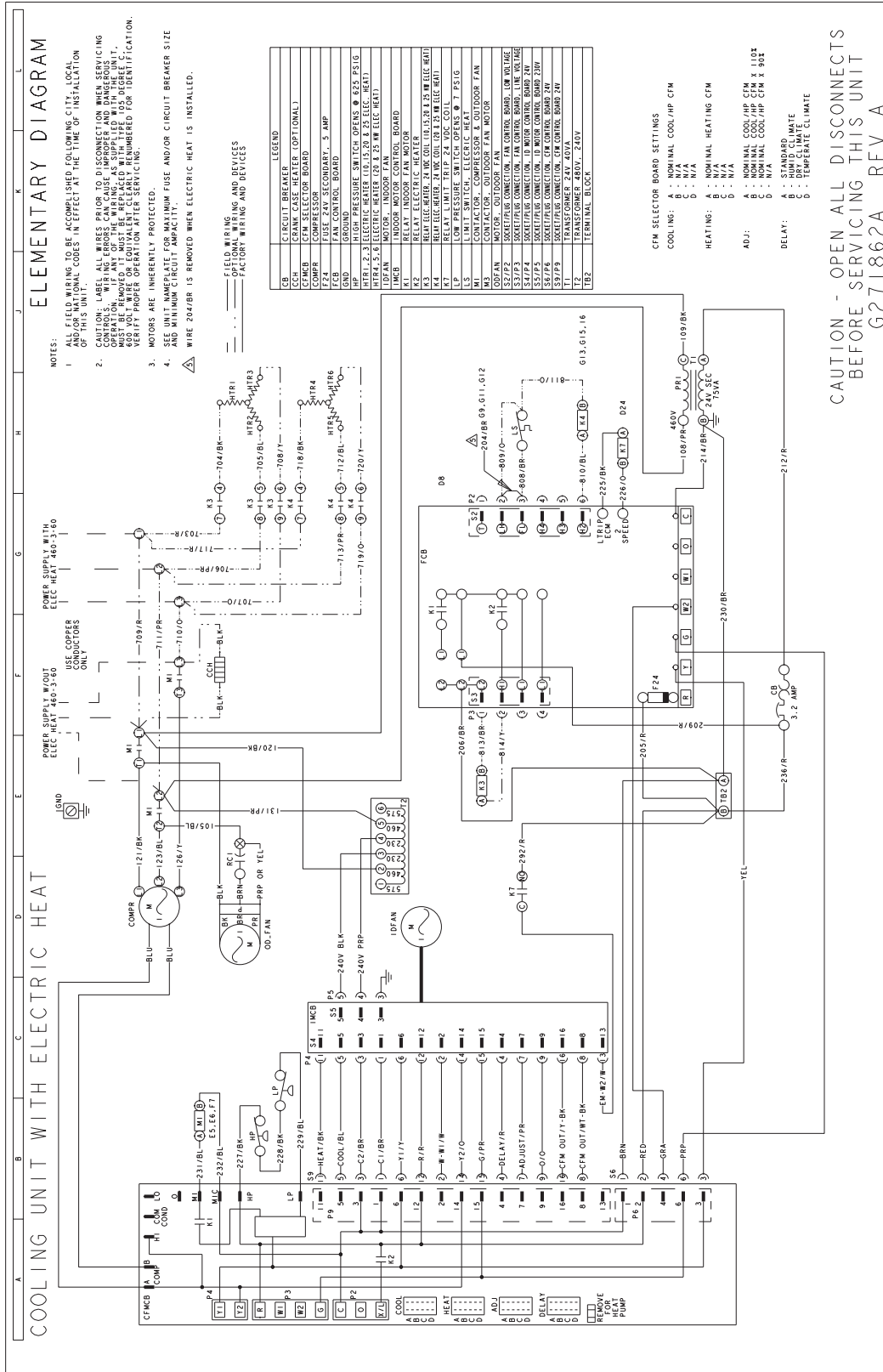


CAUTION - OPEN ALL DISCONNECTS BEFORE SERVICING THIS UNIT  
G271710A REV A

# Typical DEX036-048 Cooling Only 208/230-3-60 volt Wiring Diagram



Typical DEX036-048 Cooling Only 460-3-60 volt Wiring Diagram

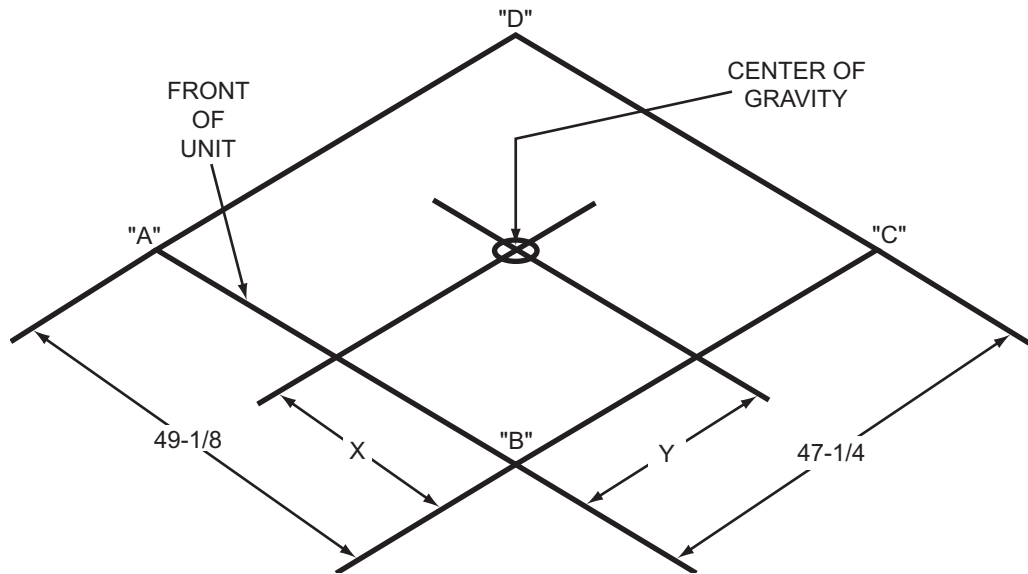


CAUTION - OPEN ALL DISCONNECTS  
BEFORE SERVICING THIS UNIT  
G271862A REV A



## DEX/DEQ/DEX Weights and Dimensions

### Unit 4 Point Load Location



**Table 1: DEZ 4 Point Load Weight**

Model (Tons)	Weight (lbs.)		Center of Gravity		4 Point Load Location (lbs.)			
	Shipping	Operating	X	Y	A	B	C	D
DEZ024 (2.0)	379	374	23	23.25	92	85	95	102
DEZ030 (2.5)	380	375	23	22.25	88	82	99	106
DEZ036 (3.0)	384	379	23	22.25	89	83	100	107
DEZ042 (3.5)	405	400	23	21.25	90	83	109	118
DEZ048 (4.0)	406	401	21.5	21.75	98	80	101	123
DEZ060 (5.0)	410	405	23.5	22.75	95	92	107	110

**Table 2: DEQ 4 Point Load Weight**

Model (Tons)	Weight (lbs.)		Center of Gravity		4 Point Load Location (lbs.)			
	Shipping	Operating	X	Y	A	B	C	D
DEQ024 (2.0)	351	346	22.25	25	94	82	79	91
DEQ030 (2.5)	391	386	22.25	25	105	92	88	101
DEQ036 (3.0)	401	396	22.25	25	108	94	91	104
DEQ042 (3.5)	411	406	22.25	25	110	96	93	106
DEQ048 (4.0)	445	440	22.25	25	120	104	101	115
DEQ060 (5.0)	457	452	22.25	25	123	107	103	119

**Table 3: DEX 4 Point Load Weight**

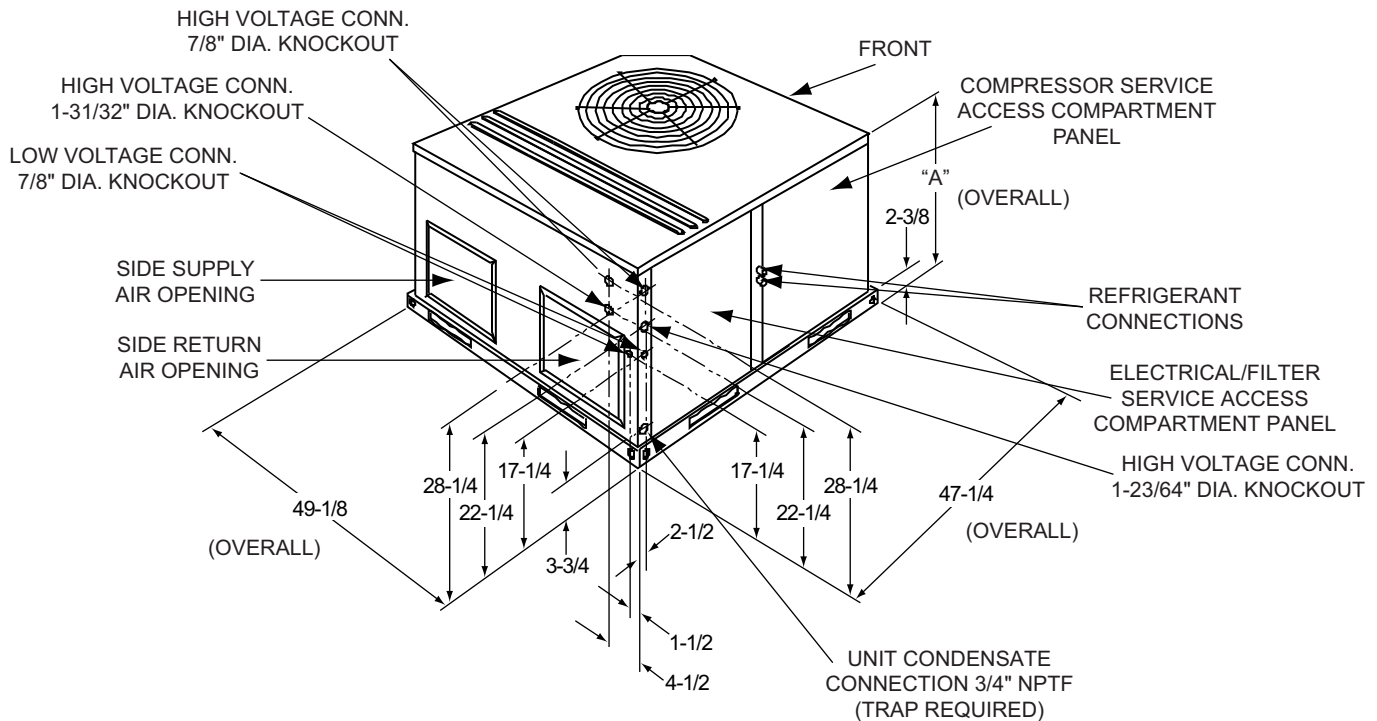
Model (Tons)	Weight (lbs.)		Center of Gravity		4 Point Load Location (lbs.)			
	Shipping	Operating	X	Y	A	B	C	D
DEX024 (2.0)	360	355	22.25	25	96	84	81	93
DEX030 (2.5)	395	390	22.25	25	106	92	89	102
DEX036 (3.0)	405	400	22.25	25	109	95	92	105
DEX042 (3.5)	415	410	22.25	25	111	97	94	108
DEX048 (4.0)	445	440	22.25	25	120	104	101	115

**DEX/DEQ/DEX Unit Accessory Weights**

Unit Accessory	Model	Weight (lbs.)	
		Shipping	Operating
Add Economizer	All	45	40
Add Electric Heat <sup>1</sup>	All	13	12

1. Weight given is for the maximum heater size available (25 kW).

**Cooling Only Unit Dimensions**



**Table 4: DEZ Unit Dimensions Front**

Unit Model	Dimensions
	"A"
DEZ 024, 030, 036, 042	33-1/2
DEZ 048, 060	41-1/2

**Table 5: DEQ Unit Dimensions Front**

Unit Model	Dimensions
	"A"
DEQ 024, 030, 036	33-1/2
DEQ 042, 048, 060	41-1/2

**Table 6: DEX Unit Dimensions Front**

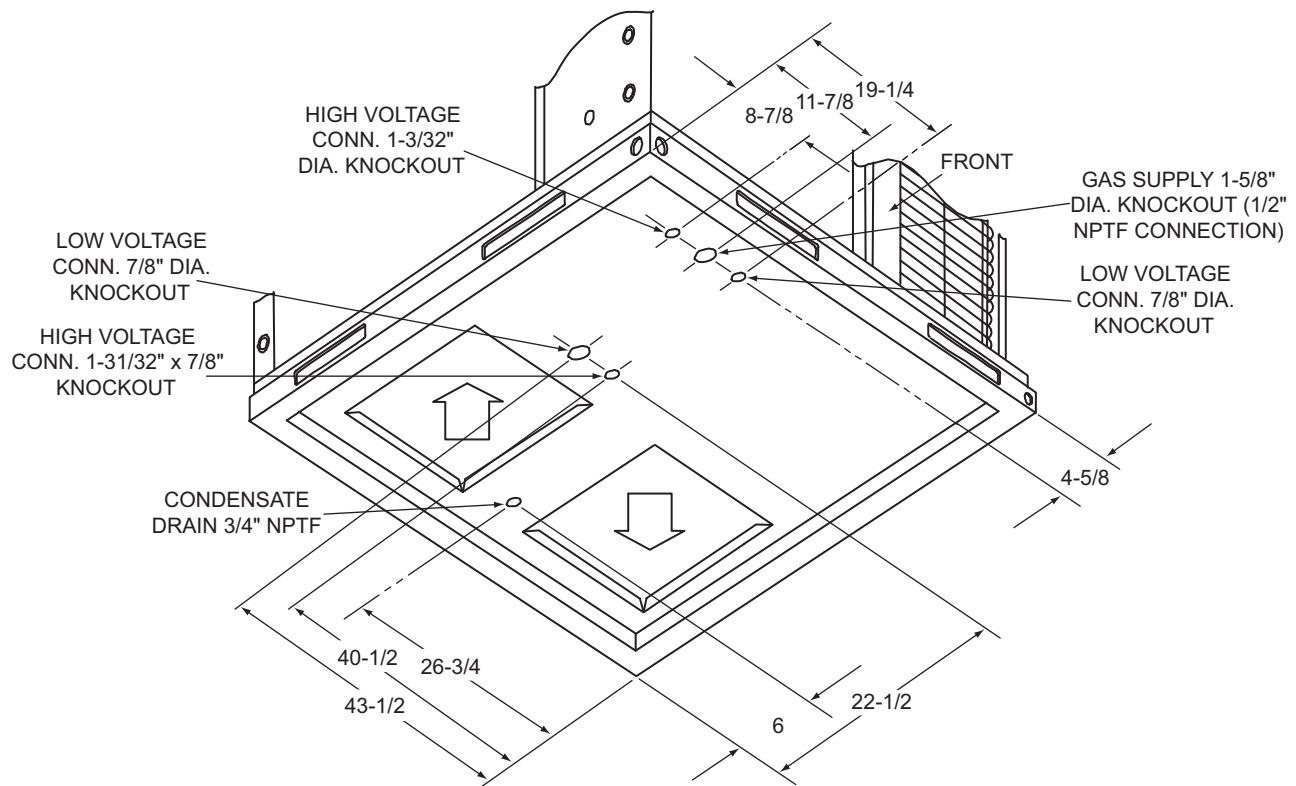
Unit Model	Dimensions
	"A"
DEX 024, 030, 036	33-1/2
DEX 042, 048	41-1/2

**DEZ/DEQ/DEX Cooling Only Unit Clearances**

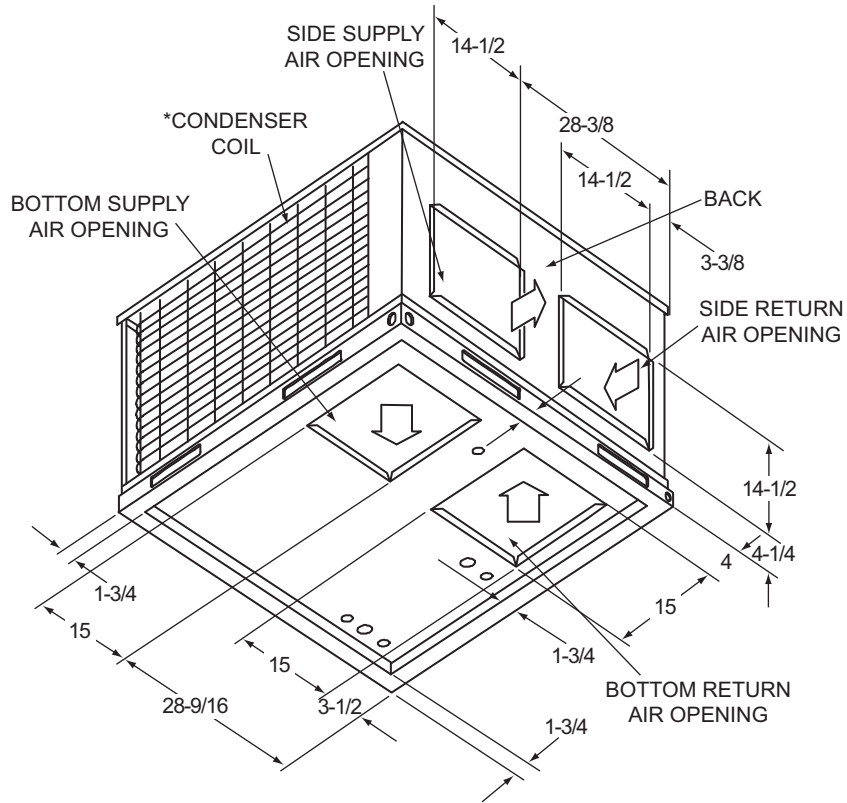
Direction	Distance (in.)	Direction	Distance (in.)
Top <sup>1</sup>	36	Right	24
Front	12	Left	24
Rear	0	Bottom <sup>2 3</sup>	0

- Units must be installed outdoors. Over hanging structure or shrubs should not obscure condenser air discharge outlet.
- Units may be installed on combustible floors made from wood or class A, B or C roof covering materials.
- Minimum Clearance of 1 inch all sides of supply air duct for the first 3 foot of duct for 20 & 25 kW., zero inches there after. For all other heaters, zero inch clearance all sides for entire length of duct.

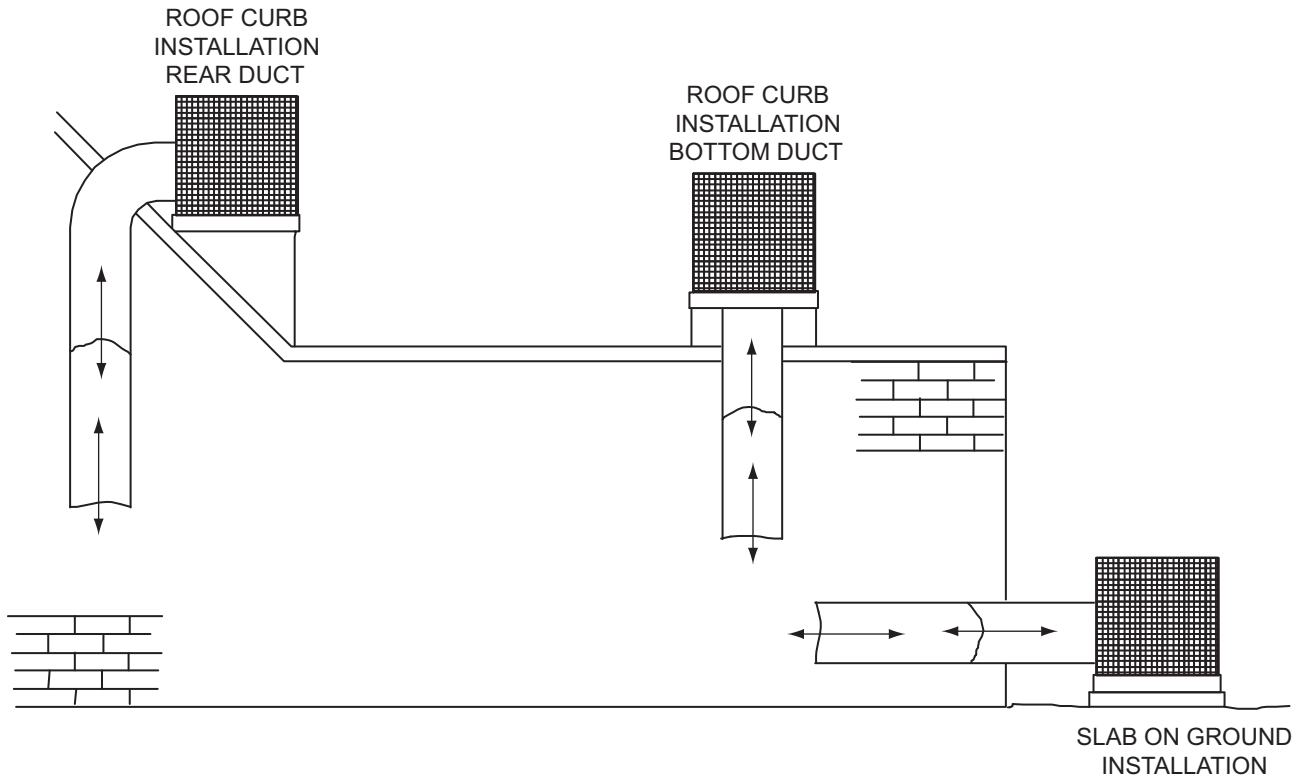
**Note:** For units applied with a roof curb, the minimum clearance may be reduced from 1 inch to 1/2 inch between combustible roof curb material and this supply air duct.

**Unit Dimensions Front and Bottom**

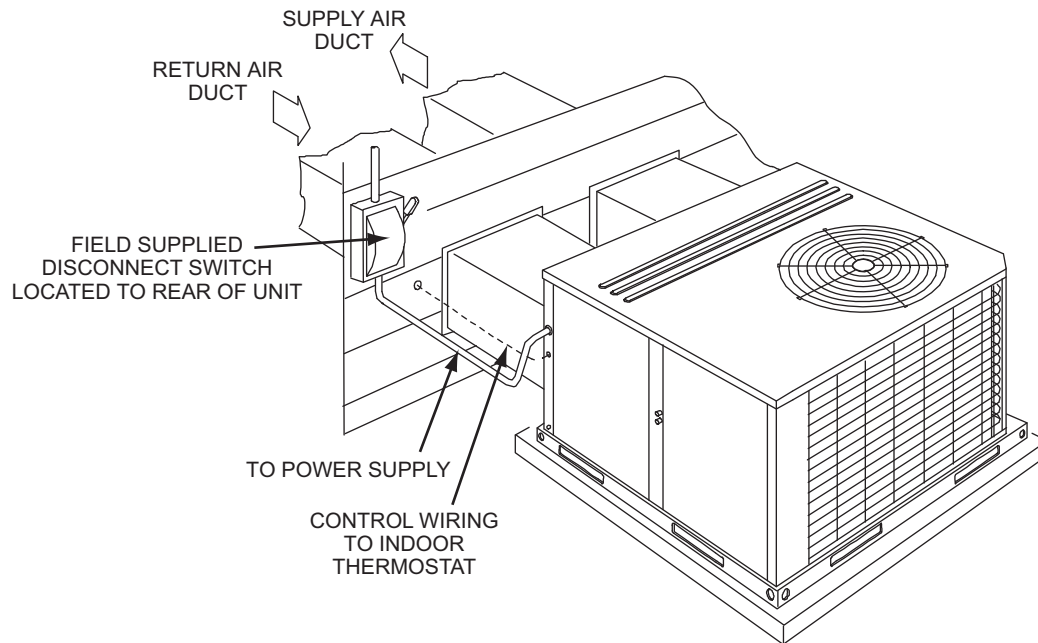
**Unit Dimensions Back and Bottom**



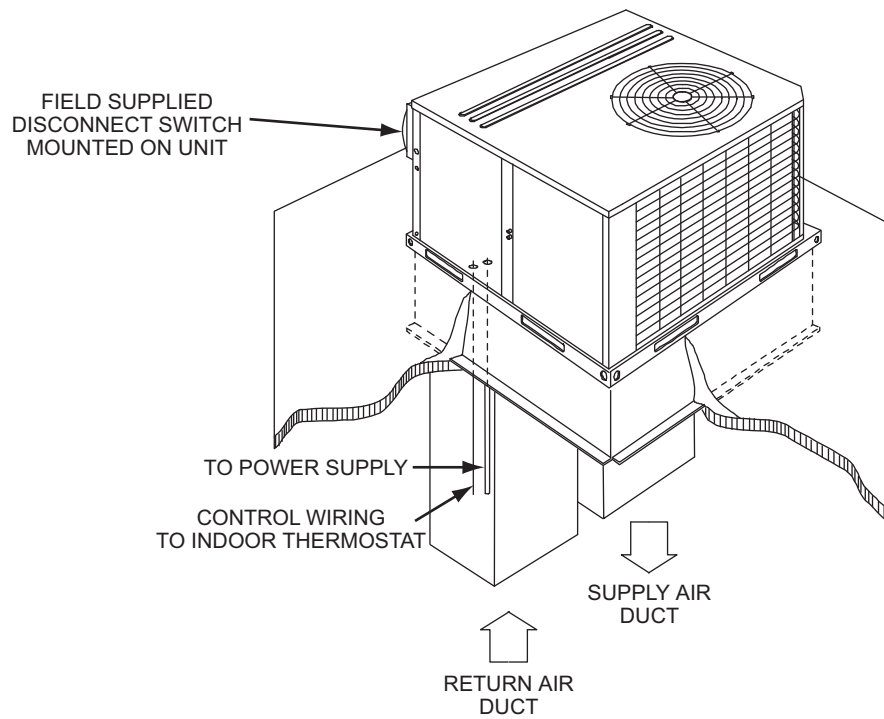
**Unit Typical Duct Applications**



### Unit Typical Slab on Ground Installation

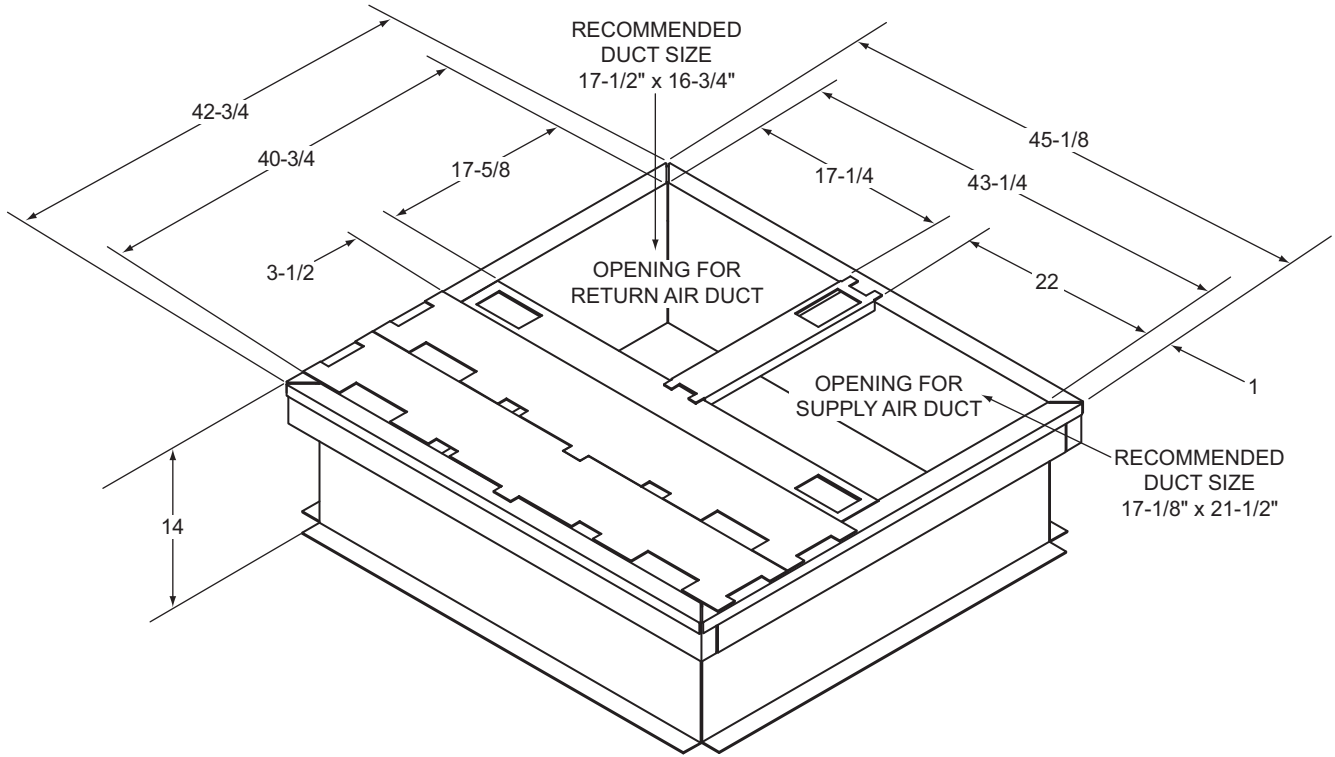


### Unit Typical Roof Curb Installation

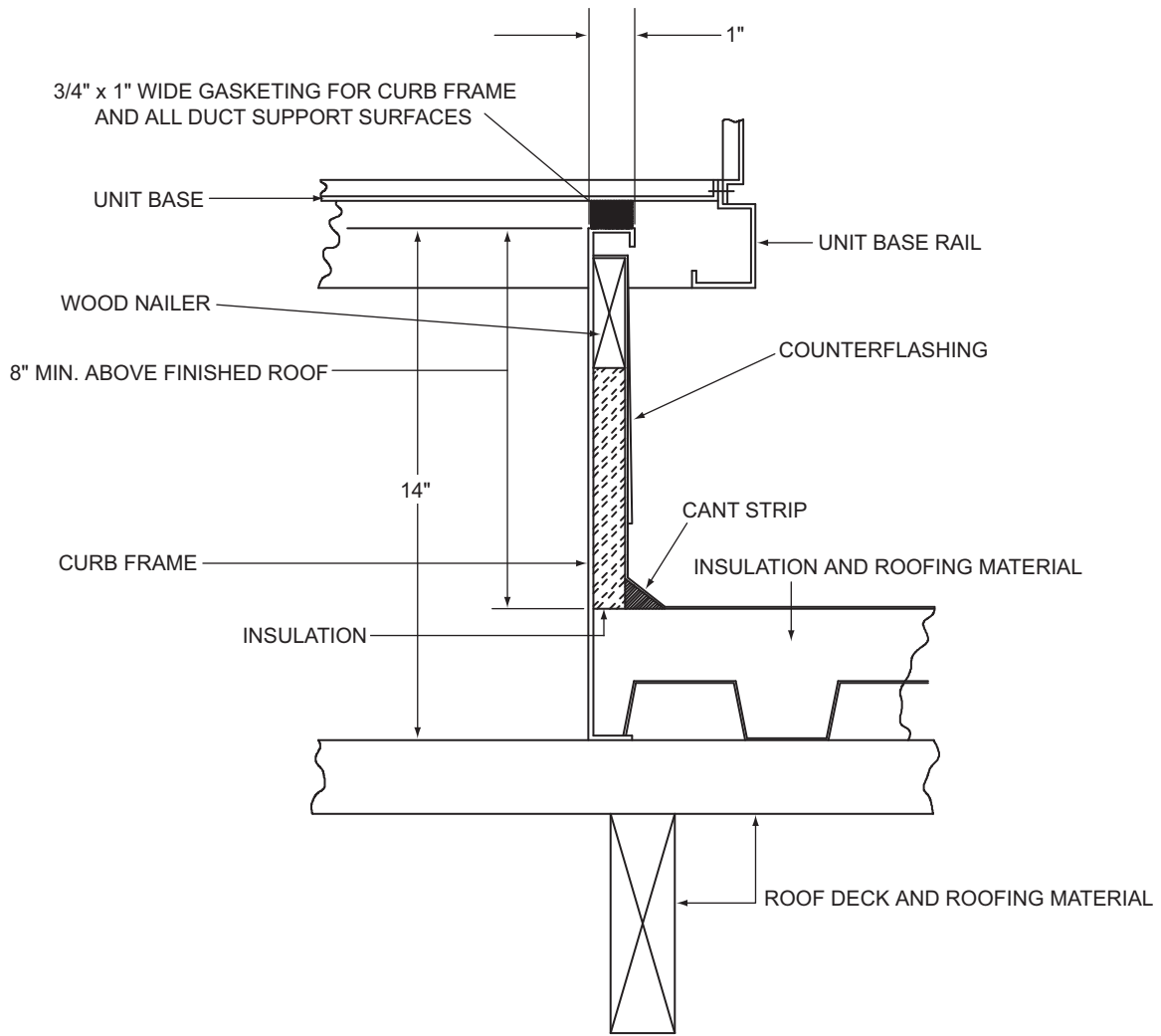


### Unit Accessory Dimensions

#### Roof Curb<sup>1</sup>



1. 8" Roof Curb also available.

**Roof Curb Cross Section**

Subject to change without notice. Printed in U.S.A.  
Copyright © 2014 by Johnson Controls, Inc. All rights reserved.

718432-YTG-E-0314  
Supersedes: 718432-YTG-D-0313

---

**York International Corporation**  
**5005 York Drive**  
**Norman, OK 73069**