

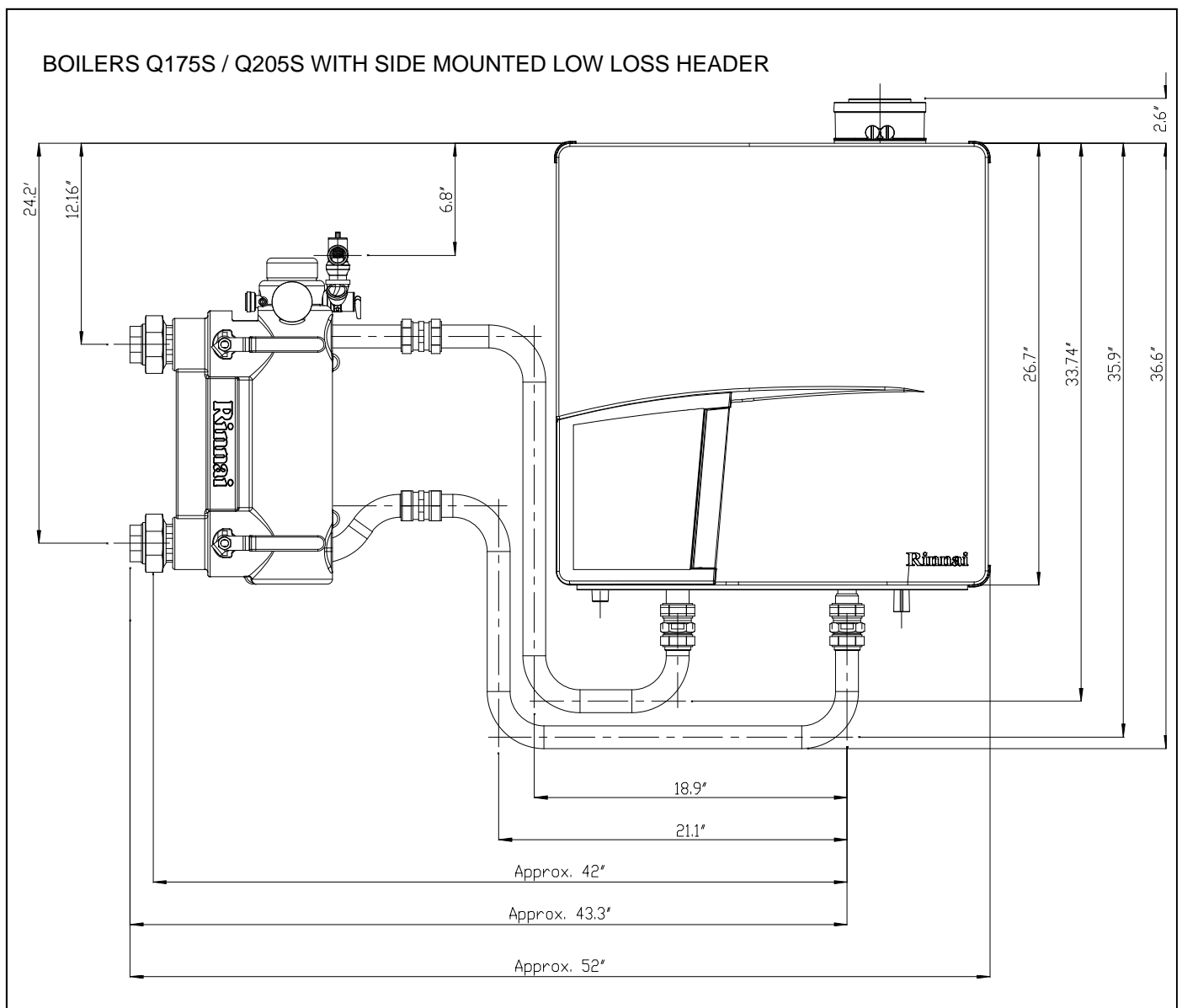


## Side Mount - Low Loss Header Kit for the Q175C / Q175S / Q205S

The side mount kit features:

- Mounts the low loss header plumbing kit (which is included with all Rinnai boilers) on the left side of the boiler
- Reduces overall installation height
- Kit part number for Q175C / Q175S / Q205S boilers: 804000073

The side mount kit is designed and intended for use only on the left side of the boiler.





**Side Mount - Low Loss Header Kit for the Q175C / Q175S / Q205S**

