



Linger longer with Barbara Jean

Outdoor Fire Collection

Unit illustrated is a OLT48BB Black Body with Brown End Doors, OLT48TWB Table Top Wide (Black with Brown Trims), OB48MAP Linear Burner (Manual/Propane), MQG5C Glass Media (Bronze x4), MQRBD3 Drift Wood (5 pc set), MQSTONE10 Decorative Stones (10 pc set), OB48WG Wind Guard.

Wouldn't it be great if summer lasted forever?

*N*ow you can enjoy more outdoor living at your home or cottage with the new outdoor fire collection from Barbara Jean.

The Barbara Jean collection features an array of customizable burners, fire stands, tables and fireplaces that allow you to create an enticing ambiance for cocktail hour and al fresco dining on your patio or deck.

Special times just got a whole lot warmer with the beauty of the new Barbara Jean Collection. Come see it today!





B

C

A

Unit illustrated is a OLT48BB Black Body with Brown End Doors, OLT48TWB Table Top Wide (Black with Brown Trims), OB48MAP Linear Burner (Manual/Propane), MQG5C Glass Media (Bronze x4), MQRBD3 Drift Wood (5 pc set), MQSTONE10 Decorative Stones (10 pc set), OB48WG Wind Guard.

B

Unit illustrated is a OFS48MAP Fire Stand with Linear Burner (Manual/Propane), MQG5C Glass Media (Bronze x4), OB48WG Wind Guard.

C

Unit illustrated is a OFP7972S2N Outdoor Linear Fireplace (See Through – Natural Gas/Millivolt), MQG5C Glass Media (Bronze x6).

Fire Tables

Imagine family and friends gathered around a mesmerizing ribbon of fire on the Barbara Jean Fire Table. Available in three sizes and two colour options, you can create your own designer look with your choice of ember glass, driftwood logs, decorative stones and rocks.



A

Unit illustrated is a OLT48BG Black Body with Grey End Doors, OLT48TWG Table Top Wide (Black with Grey Trims), OB48MAP Linear Burner (Manual/Propane), MQG5C Glass Media (Bronze x4), MQRBD3 Drift Wood (5 pc set), MQSTONE10 Decorative Stones (10 pc set), OB48WG Wind Guard.

B / C

Unit illustrated is a OLT48BB Black Body with Brown End Doors, OLT48TWB Table Top Wide (Black with Brown Trims), OB48MAP Linear Burner (Manual/Propane), MQG5C Glass Media (Bronze x4), OB48WG Wind Guard.



B

C

Fire Tables

A



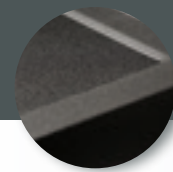
A

Unit illustrated is a OLT48BB Black Body with Brown End Doors, OLT48TWB Table Top Wide (Black with Brown Trims), OB48MAP Linear Burner (Manual/Propane), MQG5C Glass Media (Bronze x4), MQRBD3 Drift Wood (5 pc set), MQSTONE10 Decorative Stones (10 pc set), OB48WG Wind Guard.

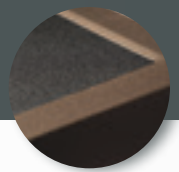
Follow this 5 step process to complete your Outdoor Linear Fire Table:

Choose your Table Body, Table Top Size, Burner, Glass Media and Wind Guard

Table Colour Options



Black with Grey trim



Black with Brown trim

1. Table Body

24"

OLT24BG

Black w/ Grey end doors

OLT24BB

Black w/ Brown end doors

(use 24" burner)

36"

OLT36BG

Black w/ Grey end doors

OLT36BB

Black w/ Brown end doors

(use 36" burner)

48"

OLT48BG

Black w/ Grey end doors

OLT48BB

Black w/ Brown end doors

(use 48" burner)

2. Table Top

24" Narrow

OLT24TNG

Black w/ Grey trim

OLT24TNB

Black w/ Brown trim

Dimensions (A) x (B)

39 1/8"L x 20 1/16"W

36" Narrow

OLT36TNG

Black w/ Grey trim

OLT36TNB

Black w/ Brown trim

Dimensions (A) x (B)

51 1/8"L x 20 1/16"W

48" Narrow

OLT48TNG

Black w/ Grey trim

OLT48TNB

Black w/ Brown trim

Dimensions (A) x (B)

63 1/8"L x 20 1/16"W

24" Wide

OLT24TWG

Black w/ Grey trim

OLT24TWB

Black w/ Brown trim

Dimensions (A) x (B)

42 13/16"L x 28 5/16"W

36" Wide

OLT36TWG

Black w/ Grey trim

OLT36TWB

Black w/ Brown trim

Dimensions (A) x (B)

54 13/16"L x 28 5/16"W

48" Wide

OLT48TWG

Black w/ Grey trim

OLT48TWB

Black w/ Brown trim

Dimensions (A) x (B)

66 13/16"L x 28 5/16"W

3. Linear Burners

Manual Valve Systems are shipped as Propane, NG conversion orifice is included with burner.

24"

OB24MAP

Linear Burner 24"

Manual Valve

Propane

40,000 BTU

OB24MVN

Linear Burner 24"

Millivolt Valve

Natural Gas

40,000 BTU

24OB-CKLP

Conversion Kit

to Propane Millivolt

36"

OB36MAP

Linear Burner 36"

Manual Valve

Propane

60,000 BTU

OB36MVN

Linear Burner 36"

Millivolt Valve

Natural Gas

60,000 BTU

36OB-CKLP

Conversion Kit

to Propane Millivolt

48"

OB48MAP

Linear Burner 48"

Manual Valve

Propane

60,000 BTU

OB48MVN

Linear Burner 48"

Millivolt Valve

Natural Gas

80,000 BTU

48OB-CKLP

Conversion Kit

to Propane Millivolt

4. Glass Media

5 lbs per foot of burner (ie: 24" burner = 10 lbs)



MQG5A

1/2" Cobalt Blue
5 lbs



MQG5W

1/2" White
5 lbs



MQG5C

1/2" Bronze
5 lbs



MQG5B

1/2" Black
5 lbs



MQG5ZG

Zircon Glacier Ice
5 lbs

5. Wind Guards (Required)

Wind Guard = 5 1/2"H (4 pc set)

OB24WG

for 24" Burners OB24

OB36WG

for 36" Burners OB36

OB48WG

for 48" Burners OB48

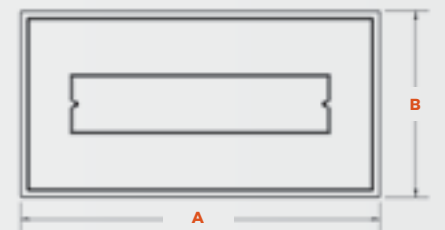


Table Base (C)

OLT24BG 33 7/8"L

OLT24BB 33 7/8"L

OLT36BG 45 7/8"L

OLT36BB 45 7/8"L

OLT48BG 57 7/8"L

OLT48BB 57 7/8"L



Burners

Completely flexible, the Barbara Jean Burner is the perfect project for do-it-yourselfers. Five sizes available (24, 36, 48, 72, 96") and for longer lengths simply link them together to create your own custom size!

Plus, a variety of beautiful log, decorative stone and rock options ensure you create the look you want. When you have achieved your desired look, invite family and friends to gather around for a perfect get together outdoors.



A

Unit illustrated is a OB48MAP Linear Burner (Manual/Propane), MQG5C Glass Media (Bronze x4), MQSTONE10 Decorative Stones (10 pc set x2), OB48WG Wind Guard.

B

Unit illustrated is a OB48MAP Linear Burner (Manual/Propane), MQG5C Glass Media (Bronze x4), MQSTONE10 Decorative Stones (10 pc set x2).





Burners



A

Unit illustrated is a OB72MVN Linear Burner (Millivolt/Natural Gas), MQG5C Glass Media (Bronze x6), MQSTONE Decorative Stones.

Linear Outdoor Burner Systems

Certified for USA and Canada to ANSI Z21.97-2014, CSA 2.41-2014.
Outdoor Decorative Gas Appliance

24"

OB24MAP

Linear Burner 24"
Manual Valve
Propane
40,000 BTU

OB24MVN

Linear Burner 24"
Millivolt Valve
Natural Gas
40,000 BTU

Dimensions (A) x (B)

26"L x 7 1/2"W

24OB-CKLP

Conversion Kit
to Propane Millivolt

36"

OB36MAP

Linear Burner 36"
Manual Valve
Propane
60,000 BTU

OB36MVN

Linear Burner 36"
Millivolt Valve
Natural Gas
60,000 BTU

Dimensions (A) x (B)

38"L x 7 1/2"W

36OB-CKLP

Conversion Kit
to Propane Millivolt

48"

OB48MAP

Linear Burner 48"
Manual Valve
Propane
60,000 BTU

OB48MVN

Linear Burner 48"
Millivolt Valve
Natural Gas
80,000 BTU

Dimensions (A) x (B)

50"L x 7 1/2"W

48OB-CKLP

Conversion Kit
to Propane Millivolt

72"

OB72MVN

Linear Burner 72"
Millivolt Valve
Natural Gas
120,000 BTU

Dimensions (A) x (B)

74"L x 7 1/2"W

72OB-CKLP

Conversion Kit
to Propane Millivolt

96"

OB96MVN

Linear Burner 96"
Millivolt Valve
Natural Gas
156,000 BTU

Dimensions (A) x (B)

98"L x 7 1/2"W

96OB-CKLP

Conversion Kit
to Propane Millivolt

*Manual Valve Systems are shipped as Propane,
NG conversion orifice is included with burner.

Glass Media Required

5 lbs per foot of burner (ie: 24" burner = 10 lbs)



MQG5A
1/2" Cobalt Blue
5 lbs



MQG5W
1/2" White
5 lbs



MQG5C
1/2" Bronze
5 lbs



MQG5B
1/2" Black
5 lbs



MQG5ZG
Zircon Glacier Ice
5 lbs

Wind Guard Recommended

5 1/2"H (4 pc set)

OB24WG

for 24" Burners OB24

OB36WG

for 36" Burners OB36

OB48WG

for 48" Burners OB48



Electronic Sparker

Included with Manual Burners
(AAA Battery not included).

Top View

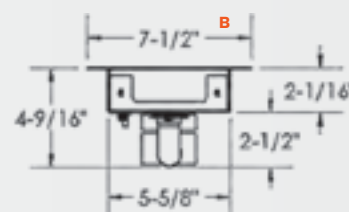


Side View



All burners are manufactured with Satin Coat
steel with a high temperature black paint finish.
Satin Coat steel is pretreated with a Zinc coating
for corrosion resistance and paint adhesion.

End View



Fire Stands

Completely portable and stand-alone, the Barbara Jean Fire Stand is perfect for any outdoor space, season or occasion. Gather friends and family around a mesmerizing ribbon of fire and enjoy every occasion outdoors. Three sizes and two colour options plus a variety of ember glass, driftwood logs, decorative stones and rock options ensure you create the look you want.



A



B

A

Unit illustrated is a OFS48MAP Fire Stand Linear Burner (Manual/Propane), MQG5C Glass Media (Bronze x4), MQSTONE10 Decorative Stones (10 pc set x2), OB48WG Wind Guard.

B

Unit illustrated is a OFS48MAP Linear Fire Stand (Manual/Propane), MQG5C Glass Media (Bronze x4), OB48WG Wind Guard.

C

Unit illustrated is a OFS48MAP Fire Stand Linear Burner (Manual/Propane), MQG5C Glass Media (Bronze x4), MQSTONE10 Decorative Stones (10 pc set x2).



Linear Outdoor Fire Stands

Certified for USA and Canada to ANSI Z21.97-2014, CSA 2.41-2014.
Outdoor Decorative Gas Appliance.

24"

Fire Stand with
24" Linear Burner

OFS24MAP
Manual Valve Propane*
(40,000 BTU)

OFS24MAN
Manual Valve Natural Gas
(40,000 BTU)

Powdercoat Black Top:

OFS24MAP-BL
Manual Valve Propane*

OFS24MAN-BL
Manual Valve Natural Gas

36"

Fire Stand with
36" Linear Burner

OFS36MAP
Manual Valve Propane*
(60,000 BTU)

OFS36MAN
Manual Valve Natural Gas
(60,000 BTU)

Powdercoat Black Top:

OFS36MAP-BL
Manual Valve Propane*

OFS36MAN-BL
Manual Valve Natural Gas

48"

Fire Stand with
48" Linear Burner

OFS48MAP
Manual Valve Propane*
(60,000 BTU)

OFS48MAN
Manual Valve Natural Gas
(63,500 BTU)

Powdercoat Black Top:

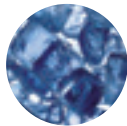
OFS48MAP-BL
Manual Valve Propane*

OFS48MAN-BL
Manual Valve Natural Gas

*Propane Fire Stands includes 10 ft. Hose and Regulator

Glass Media Required

5 lbs per foot of burner (ie: 24" burner = 10 lbs)



MQG5A
½" Cobalt Blue
5 lbs



MQG5W
½" White
5 lbs



MQG5C
½" Bronze
5 lbs



MQG5B
½" Black
5 lbs



MQG5ZG
Zircon Glacier Ice
5 lbs

Wind Guard Recommended

5 ½"H (4 pc set)

OB24WG
for 24" Burners OB24

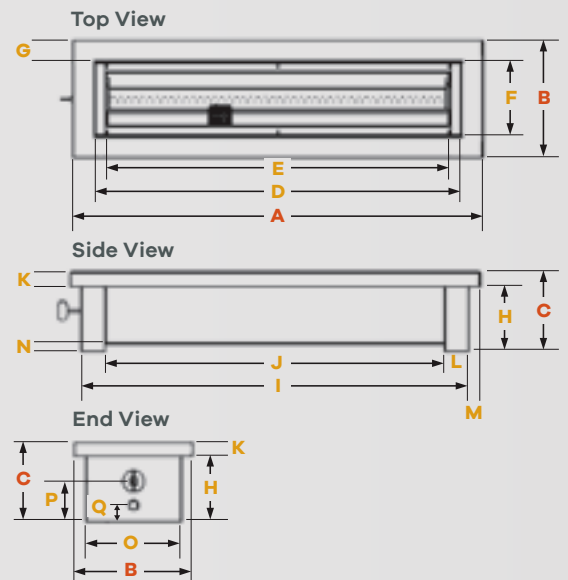
OB36WG
for 36" Burners OB36

OB48WG
for 48" Burners OB48



Dimensions

	24"	36"	48"
A	30 5/8"	42 5/8"	54 5/8"
B	12 13/16"	12 13/16"	12 13/16"
C	8 3/16"	8 3/16"	8 3/16"
D	26"	38"	50"
E	24"	36"	48"
F	7 1/2"	7 1/2"	7 1/2"
G	2 1/4"	2 1/4"	2 1/4"
H	6 1/16"	6 1/16"	6 1/16"
I	28 1/4"	40 1/4"	52 1/4"
J	23 5/16"	35 5/16"	47 5/16"
K	1 1/2"	1 1/2"	1 1/2"
L	2 1/2"	2 1/2"	2 1/2"
M	1 3/16"	1 3/16"	1 3/16"
N	3/4"	3/4"	3/4"
O	9 13/16"	9 13/16"	9 13/16"
P	4 3/16"	4 3/16"	4 3/16"
Q	1 3/4"	1 3/4"	1 3/4"



Outdoor Linear Fireplaces

Dramatically change the look and feel of your patio with the sleek, clean-view style of the Barbara Jean Collection Outdoor Linear Fireplace. Choose from a single sided or see-through option and three sizes to suit your outdoor space. Bringing your vision to life is simple with accents of ember glass, driftwood logs, and decorative stones and rocks.



A

Unit illustrated is a OFP7972S2N Outdoor Linear Fireplace (See Through – Millivolt/Natural Gas), with MQG5C Glass Media (Bronze x6), OFP79SS Stainless Steel Surround.



Outdoor Linear Fireplaces

Unit illustrated is a OFP7972S1N Outdoor Linear Gas Fireplace (Single Sided - Millivolt/Natural Gas), MQG5C Glass Media (Bronze x6), MQRBD3 Drift Wood (5 pc set), MQSTONE Decorative Stones.



B



Unit illustrated is a OFP5548S1N Outdoor Linear Gas Fireplace (Single Sided - Millivolt/Natural Gas), MQG5C Glass Media (Bronze x4), RBCB1 Cannonballs (Assorted 14 pc set).

Outdoor Linear Fireplaces

Certified for USA and Canada to ANSI Z21.97-2014, CSA 2.41-2014.
Outdoor Decorative Gas Appliance

36"

OFP4336S1N
Linear Fireplace
Single Side

OFP4336S2N
Linear Fireplace
See Through

Linear Burner 36"
Millivolt Valve
Natural Gas
60,000 BTU

36OB-CKLP
Conversion Kit
to Propane Millivolt

48"

OFP5548S1N
Linear Fireplace
Single Side

OFP5548S2N
Linear Fireplace
See Through

Linear Burner 48"
Millivolt Valve
Natural Gas
80,000 BTU

48OB-CKLP
Conversion Kit
to Propane Millivolt

72"

OFP7972S1N
Linear Fireplace
Single Side

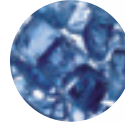
OFP7972S2N
Linear Fireplace
See Through

Linear Burner 72"
Millivolt Valve
Natural Gas
120,000 BTU

72OB-CKLP
Conversion Kit
to Propane Millivolt

Glass Media Required

5 lbs per foot of burner (ie: 24" burner = 10 lbs)



MQG5A (5 lbs)
1/2" Cobalt Blue



MQG5W (5 lbs)
1/2" White



MQG5C (5 lbs)
1/2" Bronze



MQG5B (5 lbs)
1/2" Black



MQG5ZG (5 lbs)
Zircon Glacier Ice

Dimensions

36"

OFP4336S1N

A	19 1/4"
B	18 1/8"
C	3/4"
D	19 1/16"
E	3/8"
F	57 1/4"
G	5"
H	40 7/16"
I	18 1/8"
J	19 1/4"
K	35 1/2"
L	5"
M	9 9/16"
N	42 15/16"
O	16 5/16"
P	7 1/8"
Q	57 1/4"

48"

OFP5548S1N

A	19 1/4"
B	18 1/8"
C	3/4"
D	19 1/16"
E	3/8"
F	69 1/4"
G	5"
H	40 7/16"
I	18 1/8"
J	19 1/4"
K	35 1/2"
L	5"
M	9 9/16"
N	54 15/16"
O	16 5/16"
P	7 1/8"
Q	69 1/4"

72"

OFP7972S1N

A	19 1/4"
B	18 1/8"
C	3/4"
D	19 1/16"
E	3/8"
F	93 1/4"
G	5"
H	40 7/16"
I	18 1/8"
J	19 1/4"
K	35 1/2"
L	5"
M	9 9/16"
N	78 15/16"
O	16 5/16"
P	7 1/8"
Q	93 1/4"

OFP4336S2N

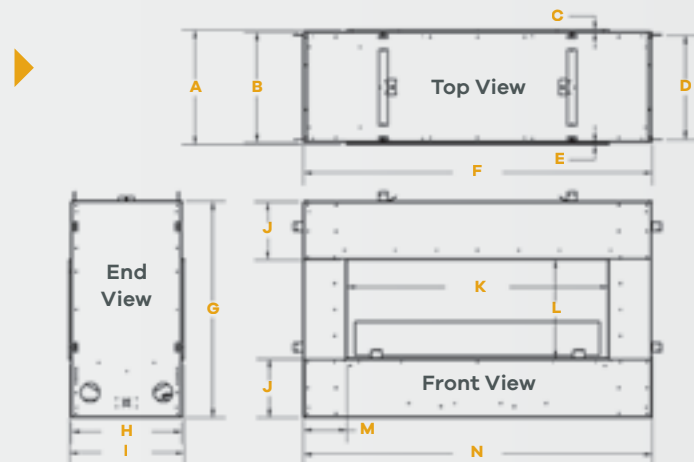
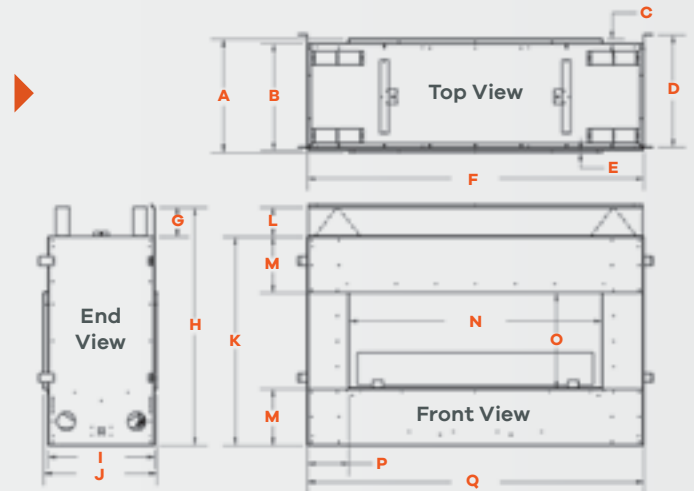
A	18 7/8"
B	18 1/8"
C	3/8"
D	17 1/16"
E	3/8"
F	57 1/4"
G	35 1/2"
H	18 1/8"
I	18 7/8"
J	9 9/16"
K	42 15/16"
L	16 5/16"
M	7 1/8"
N	57 1/4"

OFP5548S2N

A	18 7/8"
B	18 1/8"
C	3/8"
D	17 1/16"
E	3/8"
F	69 1/4"
G	35 1/2"
H	18 1/8"
I	18 7/8"
J	9 9/16"
K	54 15/16"
L	16 5/16"
M	7 1/8"
N	69 1/4"

OFP7972S2N

A	18 7/8"
B	18 1/8"
C	3/8"
D	17 1/16"
E	3/8"
F	93 1/4"
G	35 1/2"
H	18 1/8"
I	18 7/8"
J	9 9/16"
K	78 15/16"
L	16 5/16"
M	7 1/8"
N	93 1/4"



Outdoor Fire Pits

The Outdoor Fire Pit is the perfect way to enhance the enjoyment of any outdoor space. Ideally suited for use on a wood deck or patio, the Outdoor Fire Pit comes complete with lava rock and is fuelled by either natural gas or propane. Decorate your Fire Pit with a log set or lava rock.

A



B



A

Unit illustrated is an FP2085LP Outdoor Fire Pit (Propane) and FPB30SG (Smooth Grey) Concrete Fire Bowl with FPB30TRG Trim Ring (Charcoal).

B

Unit illustrated is an FP2085LP Outdoor Fire Pit (Propane), FPB30SG Smooth Grey Concrete Fire Bowl (30" Diameter x 14" Height, 150 lbs).

C

Unit illustrated is an FP2785LP Rectangular Outdoor Fire Pit (Propane) shown with LOGC85 log set.

Outdoor Fire Pits

Certified for USA and Canada to ANSI Z21.97-2014, CSA 2.41-2014. Outdoor Decorative Gas Appliance.

Round

FPB30 (Bowl)
FP2085N (Fire Pit)
 Fuel: Natural

FPB30 (Bowl)
FP2085LP (Fire Pit)
 Fuel: Propane
 Input: 65,000 BTU
 Fire Pit Size: 20" Dia. x 4 1/2" H
 Bowl Size: 30" Dia. x 14" H
 Trim Ring Size: 31 3/4" Dia. x 1 1/16" H
 Cover: optional

Rectangular

FP2785N
 Fuel: Natural
FP2785LP
 Fuel: Propane
 Input: 65,000 BTU
 Size: 20"W x 27"L x 9"H
 Cover included

Fire Bowl Colours



TEXTURED CHARCOAL



SMOOTH GREY

Rock & Log Set



MLR1410
Lava Rock



LOGC85
Log Set
(Oak, 4-pc)

Standard Features

- Concrete Fire Bowl available in your choice of Textured Charcoal and Smooth Grey
- Optional Fire Bowl Covers (Grey or Black)
- Optional Trim Ring (Charcoal)
- Liquid Propane Fire Pit comes complete with 5 ft. hose and regulator (LP tank not included)

The Outdoor Fire Pit can be installed on top of wood decks or patios, 24" clearance to side walls. Allow 7 feet clearance from top of fire bowl to any ceiling.

Optional Fire Bowl Covers



1. FP2785LP shown with cover.
2. FP2785N Rectangle Fire Pit shown with Lava Rock.
3. FP2085N Round Fire Pit shown with Lava Rock.
4. FP2085LP Fire Pit (Propane), LOGC85 Log Set and FP20SSR Stainless Steel Ring.
5. FPB30TB Textured Charcoal Concrete Fire Bowl and FP2085LP Round Fire Pit (Propane).
6. FP20COV Table Top Cover for Round Fire Pit.



2.



3.



4.



5.



6.



Outdoor Fireplaces

Light up your nights. Designed for your outdoor oasis, this fireplace captures your attention with its Satin Coat Black or Stainless Steel Finish and your choice of brick liner, glass media and log set. Looks like the stars in the sky now have a little competition.

A



B



A

Model OFP42N Outdoor Fireplace (Natural Gas), LOGF37 Split Oak Log Set, OFP42RLT Traditional Brick Liner.

B

OFP42NS Outdoor Fireplace in Stainless Steel (Natural Gas), LOGF37 Split Oak Log Set, OFP42RLH Herringbone Brick Liner.



Outdoor Fireplaces

Certified for USA and Canada to ANSI Z21.97-2014, CSA 2.41-2014.
Outdoor Decorative Gas Appliance.

Natural Gas

OFP42N-BLACK
OFP42NS-STAINLESS

Input Max: 55,000 BTU
Input Min: 38,000 BTU

Propane

OFP42LP-BLACK
OFP42LPS-STAINLESS

Input Max: 55,000 BTU
Input Min: 44,000 BTU

Log Set



LOGF37
Log Set
(Split Oak)

Standard Features

- Hi/lo Millivolt valve with variable adjustment of flame and BTU
- A flame sensor that constantly monitors the pilot flame and provides 100% gas shut off if pilot is not sensed
- Stainless steel pull screen
- Lava rock

Optional Features

Surround: Stainless steel

Refractory Liner: Traditional and Herringbone

Spark Assist: Battery operated pilot burner ignitor

Weather Cover: Stainless steel or black

Remote Control: On/Off

Surround



STAINLESS

Liners



OFP42RLT
Brick Liner
(Traditional)



OFP42RLH
Brick Liner
(Herringbone)

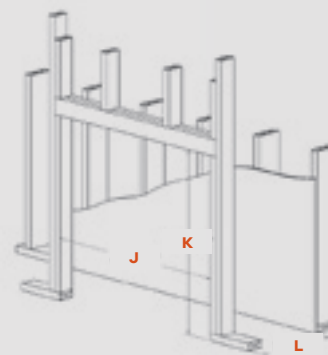
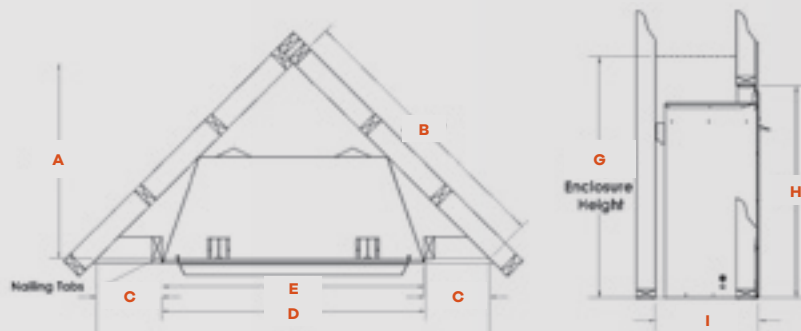
Screened Porch Installation Guidelines

- Porch Area – 96 sq. ft.
- Ceiling Height – 92"
- A minimum of two walls can be screened but must be open to outside ventilation:
Minimum Screen Height – 78"
Screen Area – 64 sq. ft

Refer to installation manual for additional details of framing specifications and clearances.

Dimensions

A	31 1/2"
B	44 1/2"
C	10 3/8"
D	42 1/8"
E	41 7/8"
G	43 1/2" min.
H	38 1/4"
I	18 1/2"
J	42 1/8"
K	38 1/4"
L	18 1/2"



Accessories

The beauty of Barbara Jean Collection is that you can fully customize the look of your unit. Choose convenient accessories and designer options that range from classic driftwood logs to a more contemporary style of ember glass or rocks. Whatever you choose, you'll find the quality and unique style we're certain you'll warm up to.



Optional Accessories



MQRBD3
Log Set: Drift Wood
(5 pc)



MQRBD4
Log Set: Drift Wood
(3 pc)



MQROCK2
Rock Set: Contemporary
(Natural)



MQROCK3
Rock Set: Contemporary
(Multi-Colored)



RBCB1
Cannonballs: Assorted
size and colors (14 pc)



MQSTONE
Decorative Stones
(80 pc)



MQSTONE10
Decorative Stones
(10 pc)



GFRC
Black and Grey Remote
Millivolt (On/Off)



OFP42SA
Spark Assist for Millivolt Valve
(AA Battery not included)



OBUVM
Universal Valve Bracket Mount
(for Custom Applications)



A

Unit illustrated is a OFS48MAP Fire Stand Linear Burner (Manual/Propane), MQG5C Glass Media (Bronze x4), MQSTONE10 Decorative Stones (10 pc set x2), OB48WG Wind Guard



Wind Guards recommended for Outdoor Burners



OB24WG
for 24" Burners OB24
(4 pc set)

OB36WG
for 36" Burners OB36
(4 pc set)

OB48WG
for 48" Burners OB48
(4 pc set)

OB72WG
for 72" Burners OB72
(4 pc set)

OB96WG
for 96" Burners OB96
(4 pc set)



Optional Weather Covers for Outdoor Fire Tables



OB24NWC for Narrow 24" tables
OB24WWC for Wide 24" tables
OB36NWC for Narrow 36" tables
OB36WWC for Wide 36" tables
OB48NWC for Narrow 48" tables
OB48WWC for Wide 48" tables



Optional Weather Covers for Outdoor Linear Fireplaces

OFP43WC Stainless Steel
OFP55WC Stainless Steel
OFP79WC Stainless Steel



Optional Surround for Outdoor Linear Fireplaces



Stainless Steel Surrounds

OFP43SS

OFP55SS

OFP79SS

A



Barbara Jean

· COLLECTION ·



The Barbara Jean Collection maintains a program of continuous testing, refinement and improvements of all its products. Some aspect of units shown here may be changed at any time without notice or obligation.

Certification: Certified for USA and Canada ANSI Z21.97-2014, CSA 2.41-2014, Outdoor Decorative Gas Appliances.

*Components may have to be ordered separately to create a complete unit. Discuss with your local Dealer for clarification.

Printed in Canada | B0500 | 05/18



Limited Warranty

The **OB Series burner** is warranted against defects for five years. All other components such as gas valves, thermocouples, igniters, lights and media are warranted against defects for one year.

The **FP2085/2785** is warranted against defects for one year.



Crafted entirely in Canada, each Barbara Jean unit is built to the highest standards and made to last.