

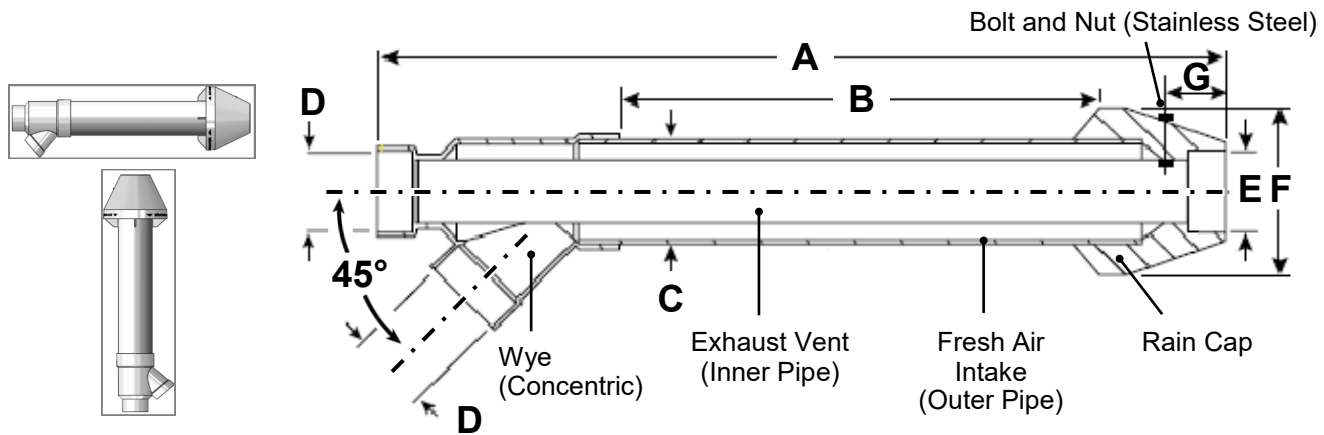
IPEX System 636® Vent Components

System 636®, manufactured by IPEX, is a fully certified PVC and CPVC flue gas vent system. Features include:

- Approved as Type BH vents and designed for negative or positive pressure venting of gas-fired appliances.
- PVC is classified as Type BH Class IIA vent, suitable for use with flue gas temperatures up to and including 65°C (149°F).
- CPVC is classified as Type BH Class IIB vent, suitable for use with flue gas temperatures up to and including 90°C (194°F).

System 636® is approved for use with internal (indoor) models of SENSEI™ Tankless Water Heaters, I-Series Boilers, and M-Series Boilers.

Concentric Vent Termination Kits (PVC and CPVC)



Concentric Vent Kit	Material	IPEX Part #	Dimension (Inches)						
			A	B ¹	C ²	Nominal Pipe Size		F	G
						D	E		
2 in. x 16 in.	PVC	196005	29.0	16.5	3.5	2	2	7.38	1.75
	CPVC	197040							
2 in. x 28 in.	PVC	196105	41.0	28.0	3.5	2	2	7.38	1.75
	CPVC	197033							
2 in. x 40 in.	PVC	196125	53.0	40.0	3.5	2	2	7.38	1.75
3 in. x 20 in.	PVC	196006	36.1	20.0	4.5	3	3	8.75	2.25
	CPVC	197009							
3 in. x 32 in.	PVC	196106	48.1	32.0	4.5	3	3	8.75	2.25
	CPVC	197107							
3 in. x 44 in.	PVC	196116	60.1	44.0	4.5	3	3	8.75	2.25
	CPVC	197117							

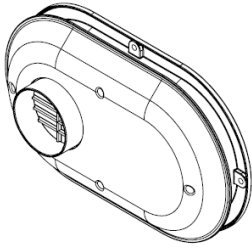
- Materials: PVC and CPVC
- Sizes: 2 in./4 in. and 3 in./5 in.
- Horizontal and Vertical Terminations
- Equivalent Length: 20 Ft.
- Kit Contents:
 - Wye (Concentric)
 - Rain Cap
 - Exhaust Vent (Inner Pipe)
 - Fresh Air Intake (Outer Pipe)
 - Bolt and Nut (Stainless Steel)

¹ “B” dimension may be shortened to a minimum of 12 inches. Exhaust vent (inner pipe) must remain “F” inches longer than the fresh air intake (outer pipe). Cut pipe ends square and solvent weld as outlined in the System 636 Installation Manual.

² Installation cutout should be at least 1/2 in. larger than dimension “C”.

Lengthening the units is not permitted.

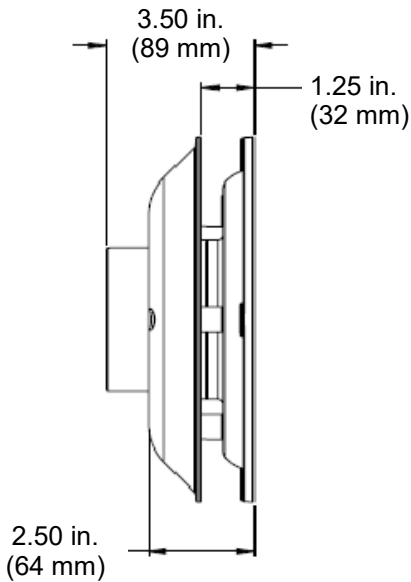
Low Profile Side Wall Termination Kits (PVC)



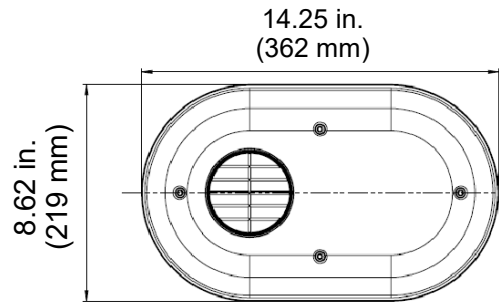
Size	IPEX Part #
2 in. (PVC)	196984
3 in. (PVC)	196985

- Type: Twin Pipe (PVC)
- Equivalent Length: 5 Ft.
- Kit Contents:
 - Base (two holes) (Qty 1)
 - Cap (one hole) (Qty 1)
 - Stainless Steel Screws (Qty 8)
 - Plastic Anchors (Qty 4)

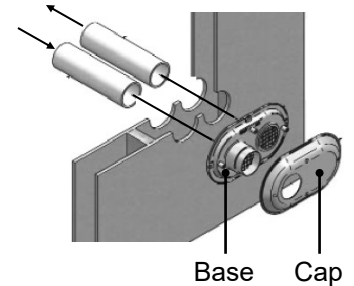
SIDE



FRONT



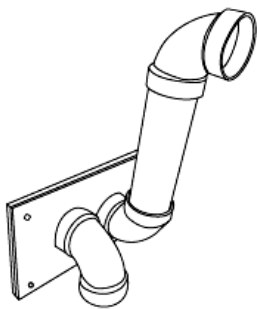
ILLUSTRATION



ORIENTATIONS



Side Wall Termination Kits (PVC)



Size	IPEX Part #
2 in. (PVC)	081216
3 in. (PVC)	081219



- Type: Twin Pipe (PVC)
- Equivalent Length: 16 Ft.
- Kit Contents:
 - White finishing plate with self-sealing foam back that can be screwed to the exterior wall
 - Vent screens not included

Contact information and part numbers are correct at time of publication and are subject to change without notice.

Contact IPEX for questions related to the vent system, part numbers and instructions.

The installation must conform with local codes or, in the absence of local codes, with the National Fuel Gas Code, ANSI Z223.1/NFPA 54, or the Natural Gas and Propane Installation Code, CSA B149.1.

Rinnai America Corporation • 103 International Drive, Peachtree City, GA 30269

Toll-Free: 1-800-621-9419 • Phone: 678-829-1700 • www.rinnai.us

©2019 Rinnai America Corporation. Rinnai America Corporation continually updates materials, and as such, content is subject to change without notice. Local, state, provincial, federal and national fuel gas codes must be adhered to prior to and upon installation.