
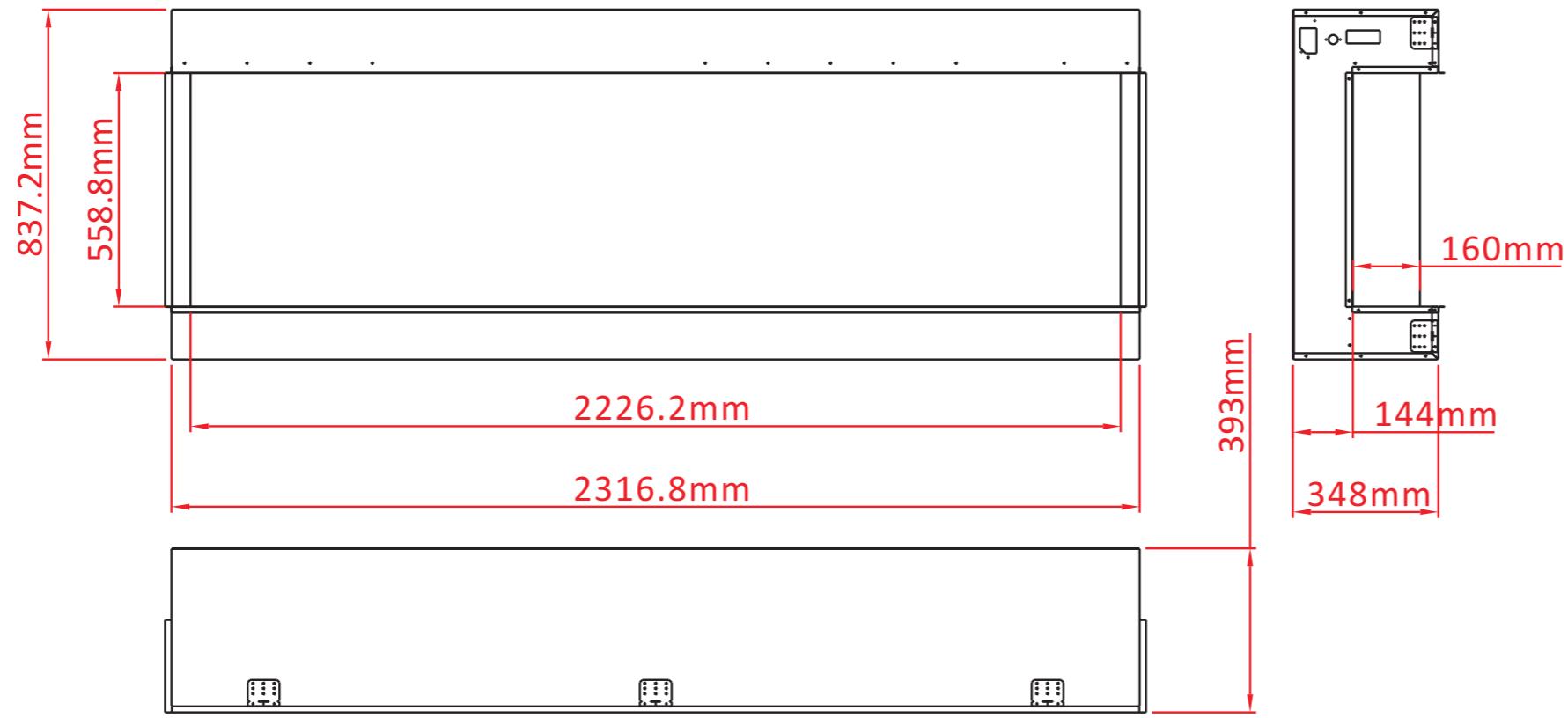


### TECHNICAL SPECIFICATIONS

VOLTS		120
AMPS		12.5
WATTS		1500
HEATER	HIGH	1500 watts
	LOW	750 watts
NO HEATER		19 watts
LAMPS	TYPE	LED
	WATTS	
	TOTAL WATTS	67 watts
ROTOR MOTOR		2 at 5 watts
HEIGHT,WIDTH,DEPTH		33" x 91 1/4" x 13 3/4"
GLASS VIEWING OPENING		22" X 87 5/8"
GLASS SIZE		22" X 87 5/8"
SHIPPING SIZE		35 1/4" x 95 1/2" x 15 5/8"
SHIPPING WEIGHT		231.5 lbs
	UNIT	198.4 lbs
	GLASS FRONT	Included
PLUG LOCATION		Left Side
CORD LENGTH		76"
APPROX. HEATING AREA		400 sq ft

*Amantii*


SERIES	MODEL		REV
TRU VIEW	88-TRV-XL-XT		1
SCALE 1"=1'-0"	DATE: 9/19/2019	SHEET 1 OF 1	



### TECHNICAL SPECIFICATIONS

VOLTS	120	
AMPS	12.5	
WATTS	1500	
HEATER	HIGH	1500 watts
	LOW	750 watts
NO HEATER	19 watts	
LAMPS	TYPE	LED
	WATTS	
	TOTAL WATTS	67 watts
ROTOR MOTOR	2 at 5 watts	
HEIGHT,WIDTH,DEPTH	83.7 x 231.7 x 34.8 cm	
GLASS VIEWING OPENING	55.9 X 222.6 cm	
GLASS SIZE	55.9 X 222.6 cm	
SHIPPING SIZE	89.6 x 242.7 x 39.8 cm	
SHIPPING WEIGHT	105 Kgs	
	UNIT	90 Kgs
	GLASS FRONT	Included
PLUG LOCATION	Left Side	
CORD LENGTH	193 cm	
APPROX. HEATING AREA	37 sqm	



SERIES	MODEL		REV
TRU VIEW	88-TRV-XL-XT		1
SCALE 1:12	DATE: 9/19/2019	SHEET 1 OF 1	