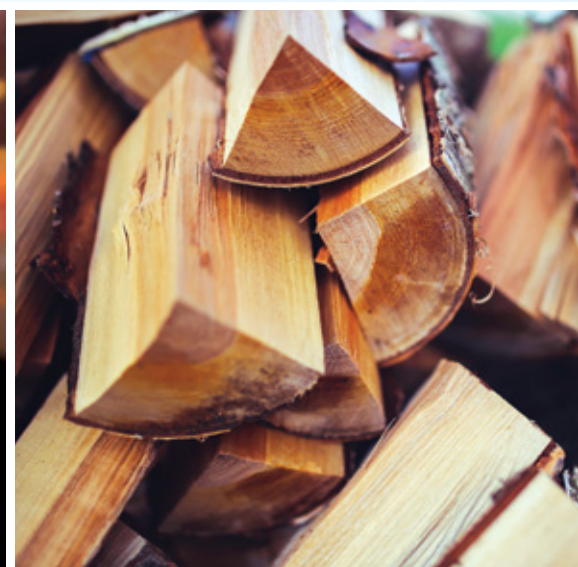


CONTURA™ Ri50

Freestanding Wood Fireplace



Imported & Distributed by
REGENCY[®]
FIREPLACE PRODUCTS
WWW.REGENCY-FIRE.COM



— European Design Excellence

Proudly distributed by Regency and thoughtfully designed in Sweden to help you enjoy life, Contura wood stoves and fireplaces embody over 50 years of design excellence. Finally, European style is now available across North America.

Experience fire in its finest form designed by a leading European manufacturer of high quality wood stoves and fireplaces. Uniting the tradition of a wood burning fireplace with the finest elements of modern Scandinavian design, the Contura Ri50 establishes a new class of modern contemporary wood burning fireplaces.



Contura™ Ri50 FREESTANDING WOOD FIREPLACE

Clean, elegant lines and three generously sized glass viewing windows make the Contura Ri50 a modern statement piece. Able to accommodate top or rear venting, the freestanding design invites you to add dynamic wood fire ambience to any room in your home. The Contura Ri50 makes starting and maintaining a wood burning fire easy. More than a fireplace, enjoy a gathering place for family and friends. Use the optional, easy to position steel side box as a contemporary seat and stylish storage solution.

STANDARD FEATURES

- Easy to use: no air adjustment needed - load it and leave it!
- Over 500 sq.in. of fire viewing area from three sides
- 3-sided guillotine style door maximizes design impact
- Side doors swing open for easy cleaning & full firebox access
- Designed to integrate seamlessly into any room
- Thermotte® firebox lining has excellent insulating properties to store & radiate heat
- Integrated removable ash pan makes clean up quick & easy
- Wood log loading gloves included
- Top or rear vent for flexible installation

OPTIONS

- Available with black steel or white steel panels
- Steel log box allows for stylish, clean storage
- Outside air kit is available to help with air tight homes
- 3" black rear wall finishing trim to create a flush finish

DIMENSIONS	
HEIGHT	65"
WIDTH	30-5/16"
DEPTH	19-11/16"
SIDE WALL CLEARANCE	21-1/2"
BACK WALL CLEARANCE*	3"

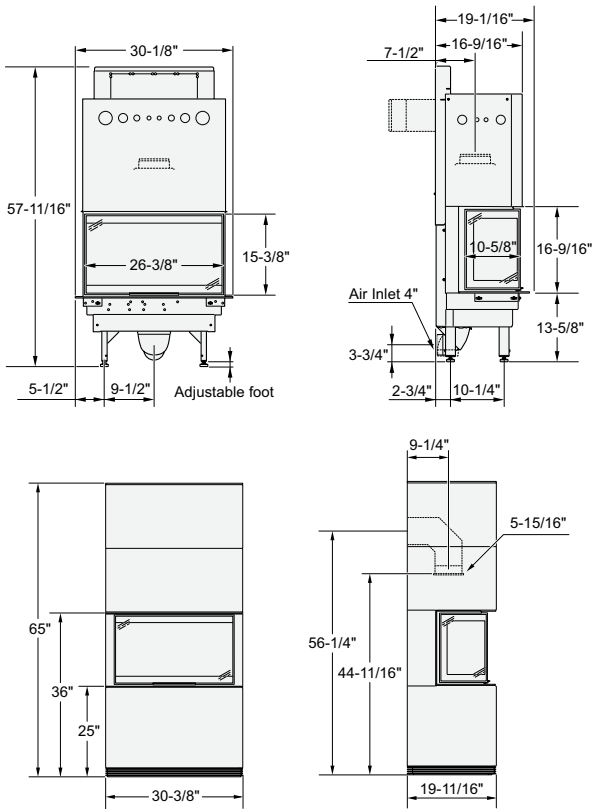
**If back wall is masonry, clearance is 0".*

SPECIFICATIONS	
MAX. LOG SIZE	16"
FIREBOX BOX	1.8 cu.ft.
FLUE SIZE	6"



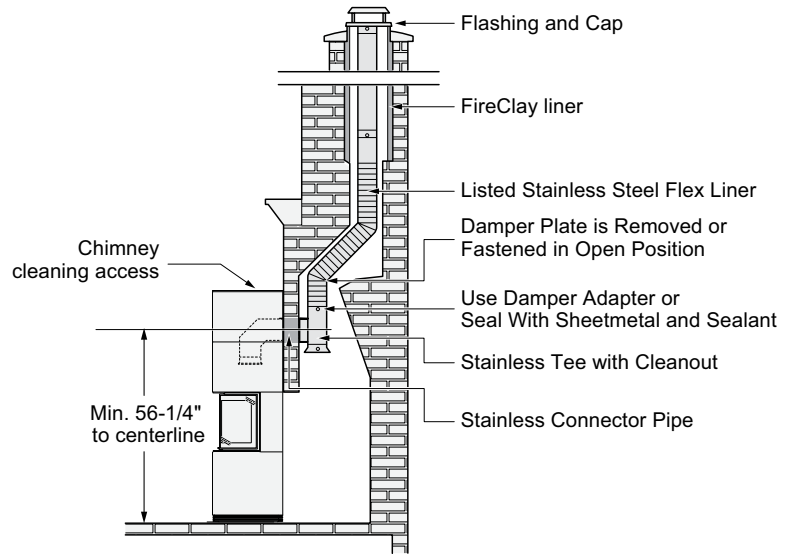
Ri50 shown with white steel panels, log box and black rear wall finishing trim.

DIMENSIONS



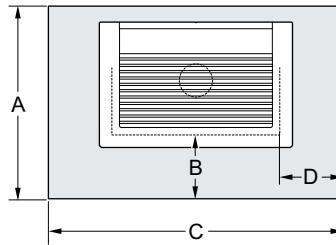
LOG BOX DIMENSIONS	
A - HEIGHT	19-11/16"
B - WIDTH	15-3/4"
C - DEPTH	19-11/16"

MASONRY FIREPLACE INSTALLATION



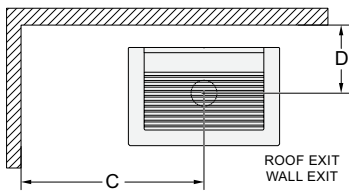
Note: For full installation details please check the manual and your local Codes and Regulations.

FLOOR PROTECTION

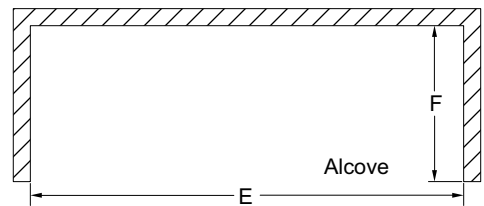
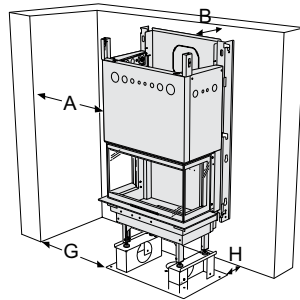


MINIMUM OVERALL DEPTH (Y) OF FLOOR PROTECTOR		
RI50	CANADA	USA
A	45-1/2"	43-1/2"
B (Edge of Fuel door opening to edge of hearth)	18"	16"
C	62-1/2"	58-1/2"
D (Edge of Fuel door opening)	18"	16"

CLEARANCES



Note: If backwall is Masonry: zero clearance.
Note: 45° corner install: Maintain all clearance to combustibles.



Note: Minimum alcove ceiling height - 90"
 E = Minimum width of alcove - 100"
 F = Maximum depth of alcove - 36"

Note: All the clearances are required for air space between the appliance and wall/ceiling.

RESIDENTIAL INSTALLATION: DOUBLE WALL CONNECTOR ONLY

A	B**	C	D	E	F	G	H*
21-1/2"	4-1/2"	35-1/8"	12-1/8"	100"	36"	21-3/16"	3"

Note: Single wall pipe is not approved for this model.
 *If back wall is masonry, clearance is 0".
 **Distance from the rear heat shield.

Note: Be aware that local Codes & Regulations may override some clearances listed in this manual. Check with your local inspector.

Note: Clearances to combustibles are for the safety of the property. To avoid overheating and damaging the appliance these clearances should be maintained for non-combustibles also.

Disclaimer: Please refer to the manual for the latest up to date installation details.

©2018 FPI Fireplace Products International Ltd. Regency® is the registered trademark of FPI Fireplace Products International Ltd. Contura™ is the proprietary trademark of NIBE Industrier AB. All rights reserved. Printed in Canada (04/18) Part no. 944-430

REGENCY®
 FIREPLACE PRODUCTS
 WWW.REGENCY-FIRE.COM