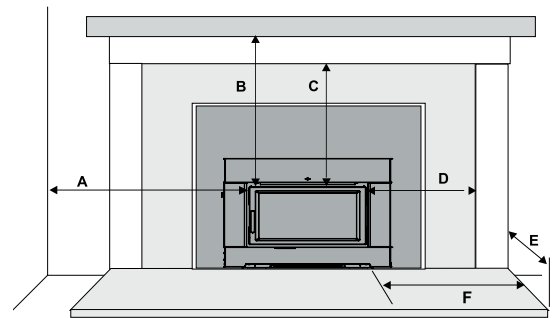
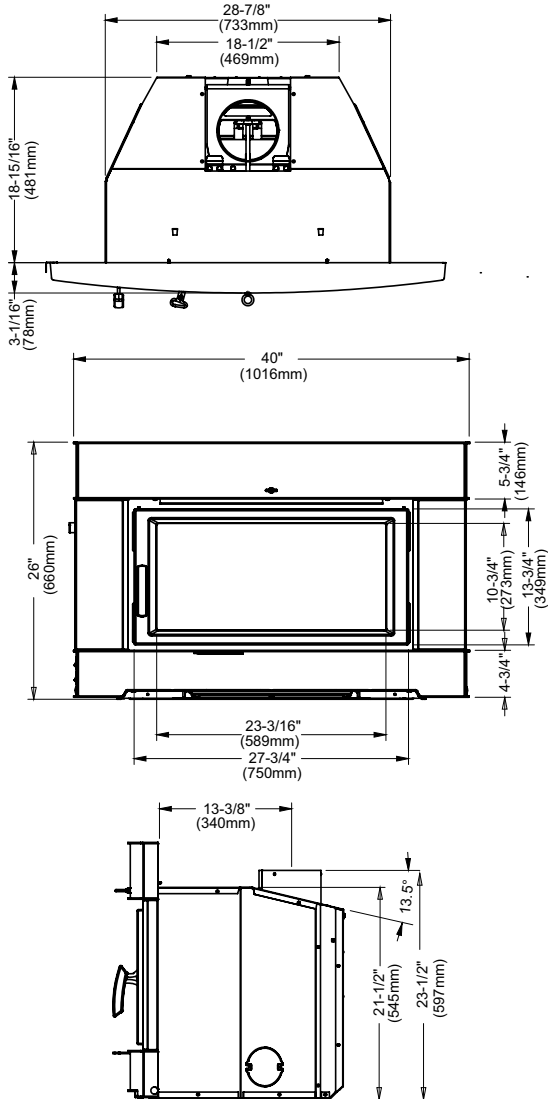


CL2700-L Large Wood Insert

Model	Ci2700/Hi500
Cordwood BTU's	78,000 BTU's
Emissions (grams/hr) EPA Certified	1.3 grams/hr
Efficiency (EPA LHV)	79%
Flue Size	6" (152mm)



Minimum Hearth Extension for the front (E) and sides (F) are measured from the fuel door opening.

Unit	Adjacent Side Wall (to Side of Door) A	Mantle ** (to Top of Door) B	Top Facing (to Top of Door) C	Side Facing (to Side of Door) D	Minimum Hearth Extension* E	Minimum Hearth Side Extension* F	To Top of Door G
Ci2700	12-3/16"	21-5/8"	14"	7-3/8"	US 16" Canada 18"	8"	19-1/4"

Measurements A,B,C,D are from Top/Side of Door

Fireplace opening requires the following minimum sizes:

Height: 21-3/4"
Width: 28-13/16"
Depth: 19"

Four faceplates are available to seal the fireplace opening:

Contemporary	40" W x 26" H
Low Profile	40" W x 26" H
Cast	41-3/8"W x 26-1/2"H
Oversized Cast	44" W x 31" H

Side and Top facing is a maximum of 1.5" thick.

* Side hearth extension for Canada measured from side of appliance.

* Hearth to have minimum: R value of 2.13 or greater.

** A non-combustible mantel may be installed at a lower height if the framing is made of metal studs covered with a non-combustible board.

** Max. mantel depth is 10" (254mm).