



Studio

**LED Electric Fire Range
with Thermostatic Remote Control**
Models: ES105, ES135, ES165



Instructions for Use, Installation & Servicing
For use in the US (United States) and CA (Canada)

IMPORTANT

THE HEATER OUTLET GRILLE BECOMES VERY HOT WHILE IN OPERATION. DO NOT COVER THE OUTLET GRILLE OR ANY PART OF THE APPLIANCE. For use with 120V 60Hz electricity supply only. Please read these instructions carefully before installation. Failure to follow them could result in serious injury. SAVE THESE INSTRUCTIONS: Leave this manual with the appliance, they will be needed when maintenance or servicing is required. THIS APPLIANCE MUST BE GROUNDED

CONTENTS

STUDIO ES105	STUDIO ES135	STUDIO ES165
228-460	228-484	228-541

Operating Instructions 5
 Operating the Appliance - Troubleshooting..... 9
 Installation11
 Technical Specification.....13
 Dimensions.....13
 Control System Technical Data16
 Framing Installation17
 LED Mood Lighting Strip Kit Installation20
 Log Sets.....22
 Maintenance25
 Wiring Diagram.....34
 Spare Parts List.....35
 Information Requirement - Electric Heaters.....36
 Limited Warranty.....38

SAFETY ALERT KEY



WARNING! Indicates a hazardous situation which, if not avoided could result in death or serious injury. **CAUTION!** Indicates a hazardous situation which, if not avoided, could result in minor or moderate injury.

IMPORTANT

A 15 amp, 60Hz 120 Volt circuit is required for installation of this Appliance. A dedicated circuit is not required, but is highly recommended to prevent circuit breaker from tripping or fuse failure. Failure to provide adequate power to this Appliance will void your warranty. **NOTE: If hard wiring to the Appliance, this must be completed by a qualified electrician. Failure to do so will void your warranty.**

WARRANTY

This product carries a 1 year warranty. Please note that all warranties are effective from the date of purchase.

Full terms and conditions are detailed in the Warranty Statement on the Regency website www.regency-fire.com. In the event of any conflict of information the wording on the website shall prevail.

Important Note: Should any problems be experienced with your product, claims must first be submitted to the Dealer where the appliance was purchased from who will offer immediate assistance or contact Regency on your behalf.

IMPORTANT INSTRUCTIONS

When using electrical appliances, basic precautions should always be followed to reduce the risk of fire, electric shock, and injury to persons, including the following:

1. Read all instructions before installing or using this heater.
2. This heater is hot when in use. To avoid burns, do not let bare skin touch hot surfaces. Keep combustible materials, such as furniture, pillows, bedding, papers, clothes, etc. and curtains at least 3.3'/1m from the front of the heater and keep them away from the sides and rear.
3. Extreme caution is necessary when any heater is used by or near children or invalids and whenever the heater is left operating and unattended.
4. Do not operate any heater after it malfunctions. Disconnect power at service panel and have heater inspected by a reputable electrician before reusing.
5. Do not use outdoors.
6. To disconnect heater, turn controls to off, and turn off power to heater circuit at main disconnect panel (or operate internal disconnect switch if provided).
7. Do not insert or allow foreign objects to enter any ventilation or exhaust opening as this may cause an electric shock or fire, or damage the heater.
8. To prevent a possible fire, do not block air intakes or exhaust in any manner.
9. A heater has hot and arcing or sparking parts inside. Do not use it in areas where gasoline, paint, or flammable vapors or liquids are used or stored.
10. Use this heater only as described in this manual. Any other use not recommended by the manufacturer may cause fire, electric shock, or injury to persons.
11. This heater may include an audible or visual alarm to warn that parts of the heater are getting excessively hot. If the alarm sounds (or illuminates), immediately turn the heater off and inspect for any objects on or adjacent to the heater that may have blocked the airflow or otherwise caused high temperatures to have occurred. **DO NOT OPERATE THE HEATER WITH THE ALARM SOUNDING (OR ILLUMINATING).**
12. ``SAVE THESE INSTRUCTIONS''

IMPORTANT

The hand-held transmitter is configured in the factory with a unique signal code. The hand-held transmitter is ready for use once the 2 AAA batteries are installed. If the handset loses its signal or needs to be replaced, see chapter in the servicing section for details.

DISPOSAL



Recycle in accordance with Code of Federal Regulations (CFR), Title 40, Part 273. This device is classified as electrical and electronic equipment. As such, it must not be disposed of with household waste. At the end of its useful life please take this product to an appropriate recycling center or collection point. You can find your nearest recycling drop off point by contacting your locality's waste management office.

WARNING: Cancer and Reproductive Harm
www.P65Warnings.ca.gov 919-874

USER INSTRUCTIONS

ALWAYS check your appliance cord and plug connections with each use!

A. **MAKE SURE** the plug fits tight in the outlet! Faulty wall outlet connections or loose plugs can cause the outlet to overheat.

B. **Appliances draw more current** than small appliances. **Overheating** may occur even if it has not occurred with the use of other appliances.

C. During use **check frequently** to see if the **plug outlet** is HOT! If the outlet or faceplate is **HOT, discontinue use immediately** and have a qualified electrician inspect and/or replace the faulty outlets.

SAVE THESE INSTRUCTIONS.

This device complies with Part 15 of the FCC Rules. Operation is subject to the following two conditions:

- (1) This device may not cause harmful interference, and
- (2) This device must accept any interference received, including interference that may cause undesired operation.

FCC warning:

Any Changes or modifications not expressly approved by the party responsible for compliance could void the user's authority to operate the equipment.

Note: This equipment has been tested and found to comply with the limits for a Class B digital device, pursuant to Part 15 of the FCC Rules. These limits are designed to provide reasonable protection against harmful interference in a residential installation. This product generates, uses, and can radiate radio frequency energy and, if not installed and used in accordance with the instructions, may cause harmful interference to radio communications. However, there is no guarantee that interference will not occur in a particular installation. If this product does cause harmful interference to radio or television reception, which can be determined by turning the equipment off and on, the user is encouraged to try to correct the interference by one or more of the following measures:

- Reorient or relocate the receiving antenna.
- Increase the separation between the equipment and receiver.
- Connect the equipment into an outlet on a circuit different from that to which the receiver is connected.
- Consult the dealer or an experienced radio/TV technician for help.

This equipment should be installed and operated with a minimum distance 8" (203 mm) between the radiator and your body. Refer to manual for a copy of the serial decal.

This device complies with Industry Canada licence-exempt RSS standard(s). Operation is subject to the following two conditions:

- (1) this device may not cause interference, and
- (2) this device must accept any interference, including interference that may cause undesired operation of the device.

Under Industry Canada regulations, this radio transmitter may only operate using an antenna of a type and maximum (or lesser) gain approved for the transmitter by Industry Canada. To reduce potential radio interference to other users, the antenna type and its gain should be so chosen that the equivalent isotropically radiated power (e.i.r.p.) is not more than that necessary for successful communication.

This appliance has been approved to the following standards:

- **ICES-003:Issue 6** - Information Technology Equipment (Including Digital Apparatus) -- Limits and Methods of Measurement
- **ANSI C63.4:2014** - American National Standard for Methods of Measurement of Radio-Noise Emissions from Low-Voltage Electrical and Electronic Equipment in the Range of 9 kHz to 40 GHz
- **ANSI C63.10:2013** - American National Standard of Procedures for Compliance Testing of Unlicensed Wireless Devices
- **47 CFR Part 15, Subpart B** - Radio Frequency Devices
- **47 CFR Part 15, Subpart C 15.231** - Radio Frequency Devices
- **C22.2 No 46-13** - Electric Air Heaters
- **UL 2021 (4th Edition)** - Fixed and Location-Dedicated Electric Room Heaters
- **FCC Rules 15C** - Federal Communication Commission
- **RSP-100** - Labelling Requirements for IC
- **RSS-102 Issue 5 (March 2015)** - Radio Frequency (RF) Exposure Compliance of Radiocommunication Apparatus
- **RSS-210 Issue 9 (November 2017)** - Licence-Exempt Radio Apparatus: Category I Equipment
- **RSS-Gen Clause 4.6.1** - General Requirements for Compliance of Radio Apparatus

OPERATING INSTRUCTIONS

WARNING! Do not operate the appliance if it is damaged or has malfunctioned. If you suspect the appliance is damaged or has malfunctioned call a qualified service technician to inspect the appliance, and replace any part of the electrical system if necessary, before reuse. Do not disconnect the power at the main supply while the appliance is running. Use the functions on the remote to turn the fire off and ensure the on/off switch has been moved to the off position before disconnecting.

IMPORTANT

PARTS OF THE OUTER CASING OF THIS APPLIANCE ARE CONSIDERED BY THE MANUFACTURER TO BE A WORKING SURFACE WHICH BECOMES HOT WHEN THE HEATER IS SWITCHED ON. IT IS THEREFORE RECOMMENDED THAT A FIREGUARD COMPLYING WITH BS 8423 (LATEST EDITION) IS USED IN THE PRESENCE OF YOUNG CHILDREN, THE ELDERLY OR INFIRM. THE HEATER OUTLET GRILLE BECOMES VERY HOT WHILE IN OPERATION. DO NOT COVER THE OUTLET GRILLE OR ANY PART OF THE APPLIANCE.

For use with 120V 50Hz electricity supply only.

Please read these instructions carefully before installation and keep them in a safe place.

They will be needed when maintenance or servicing is required.

THIS APPLIANCE MUST BE EARTHED

THIS PRODUCT IS ONLY SUITABLE FOR WELL INSULATED SPACES AND OCCASIONAL USE.

IMPORTANT INFORMATION AND HEALTH AND SAFETY



WARNING: Improper installation, adjustment, alteration, service or maintenance can cause injury or property damage. Refer to this manual. For assistance or additional information, consult a qualified installer.

Read all of the instructions carefully before using the appliance.

Remove all packaging and dispose of at an appropriate recycling facility.

Do not locate this appliance immediately below a fixed socket outlet.

Parts of the outer casing of this appliance are considered by the manufacturer to be a working surface which becomes hot when the heater is switched on. You must use a suitable fire guard to protect children, the elderly and the infirm.

Do not use this appliance in the immediate surroundings of a bath, shower, swimming pool or any other area where the appliance could come into contact with water or humidity, e.g. a bathroom.



WARNING! DO NOT COVER

Do not allow the appliance to be covered or let the air inlet/outlet become obstructed as the appliance may overheat. Please note the warning symbol on the appliance (see above).

For indoor use only. This appliance is not suitable for use outside the house.

This appliance must be installed in a purpose built studwork enclosure. Ensure the appliance is level and that furniture, curtains etc. are positioned no closer than 1m/3.3 feet.

Where the electricity supply cable has to pass through a fire place, stone surround etc. ensure suitable rubber bushes are fitted at possible wear points.

If installed in an open fireplace, blank off the chimney to reduce the risk of a back draught which can cause the safety cut-out to operate.

Keep the power cord away from hot surfaces and hot conditions. Do not route the power lead in front of the appliance.

When the fire has been installed the position of the plug must be accessible.

If the electricity supply cable is damaged do not use the appliance until it has been replaced. For safety reasons the replacement has to be carried out by a service agent or a similarly competent electrician.

To ensure that the paint is properly cured, it is recommended that you burn your electric fireplace for at least four (4) hours the first time with the heater on. During the first fire, the unit will release an odour caused by the curing of the paint and the burning off of oils remaining from manufacturing. Smoke detectors may go off at this time. Open windows to ventilate the room for a couple of hours.

CAUTION: In order to avoid a hazard due to inadvertent resetting of the thermal cut-out, this appliance must not be supplied through an external switching device, such as a timer, or connected to a circuit that is regularly switched on and off by the utility.

Do not operate the appliance if it is damaged.

Repairs of electrical appliances must only be performed by an electrical engineer. Should the appliance fail to operate, or in case of any damage, please contact the retailer from whom the appliance was purchased.

This appliance can be used by children aged from 8 years and above and persons with reduced physical, sensory or mental capabilities or lack of experience and knowledge if they have been given supervision or instruction concerning use of the appliance in a safe way and understand the hazards involved. Children shall not play with the appliance. Cleaning and user maintenance shall not be made by children without supervision.

Children of less than 3 years should be kept away unless continuously supervised.

Children aged from 3 years and less than 8 years shall only switch on/off the appliance provided that it has been placed or installed in its intended normal operating position and they have been given supervision or instruction concerning use of the appliance in a safe way and understand the hazards involved. Children aged from 3 years and less than 8 years shall not plug in, regulate and clean the appliance or perform maintenance.

Caution: Some parts of this product can become very hot and cause burns. Particular attention has to be given where children and vulnerable people are present.

However Regency recommend:

This appliance is not intended to be used by persons under the age of 12, persons with reduced physical, sensory or mental capabilities or persons with lack of experience and knowledge in the safe operation of the appliance.

The appliance may be operated by persons above the age of 12 provided they have been instructed in the safe use of the appliance and that they understand the hazards involved. Persons above the age of 12 may also operate the appliance under the supervision of a responsible adult.

Parts of this appliance become hot while in operation and under no circumstances should persons under the age of 12 be left alone with the product when it is in operation unless a suitable fireguard is used to protect them against the possibility of coming into direct contact with the appliance.

Children shall not play with the appliance.

Cleaning and user maintenance shall not be made by children without supervision.

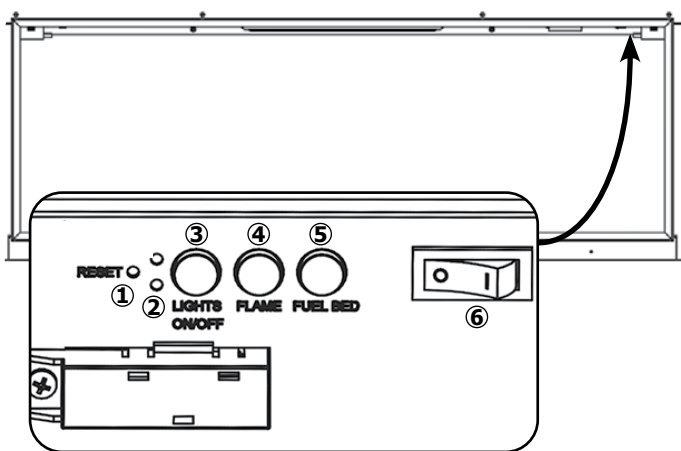
OPERATING INSTRUCTIONS



WARNING! Do not operate the appliance if it is damaged or has malfunctioned. If you suspect the appliance is damaged or has malfunctioned call a qualified service engineer to inspect the appliance, and replace any part of the electrical system if necessary, before reuse.

Do not disconnect the power at the main supply **while the appliance is running**. Use the functions on the remote to turn the fire off and ensure the main switch has been moved to the off position before disconnecting.

MANUAL CONTROL PANEL



1. Remote Reset Button
2. Heater Running Indicators
3. All Lights On/Off
4. Flame Setting Button
5. Fuel Bed Setting Button
6. Mains Power On/Off

OPERATING THE APPLIANCE

Press 6 to **Turn the Appliance On/Off**.



NOTE: To use both remote and manual functions the manual on/off switch must be in 'ON' position. To prevent the product overheating, there is a 10s delay when turning on and off the heater fan.

The manual button controls basic functions. Use the remote hand set to carry out all functions.

Press 3 to **Turn Flames and Fuel bed ON/Off** at the same time.

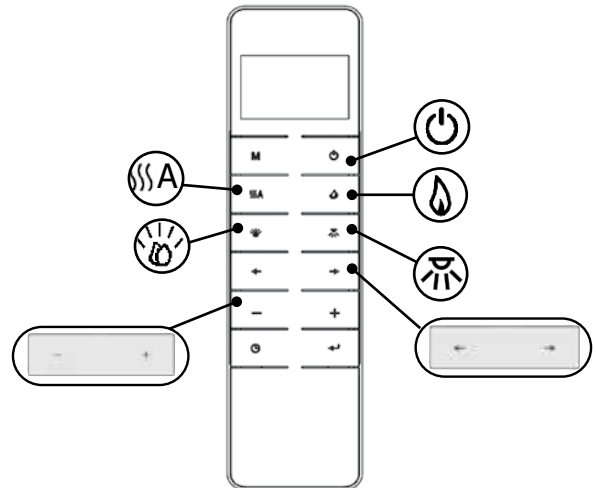
Press 4 to select the colour of flame or return to the OFF position. There are three flame colour options.

Press 5 to select the colour of fuel bed or return to the OFF position. There are fourteen fuel bed colour options.

Note: The appliance will lose the memory for the light functions when the switch is set to the Off Position or the remote runs out of power.

REMOTE CONTROL

The remote control should be left on a flat surface in the room where the appliance is installed and away from any direct flow of hot air.



- Power On/Off

- Heater

- Flames

- Fuel Bed

- Mood Lighting Strip (Optional)

- Colour option

- Levels

OPERATING THE APPLIANCE - QUICK START



Turn the Appliance On/Off

The appliance will start on the last remembered setting.



Turn the Heater On/Off.

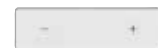


Turn the Flame Effect On/Off.



- Change the colour option.

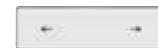
There are three flame colour options:



- Increase or decrease the brightness level.

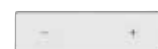


Turn the Fuel Bed Effect On/Off.



- Change the colour option.

There are fourteen fuel bed colour options:



- Increase or decrease the brightness level.

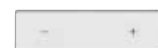


Turn the Mood Lighting Strip On/Off.(Optional)



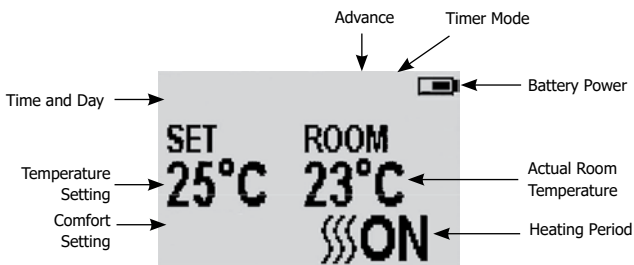
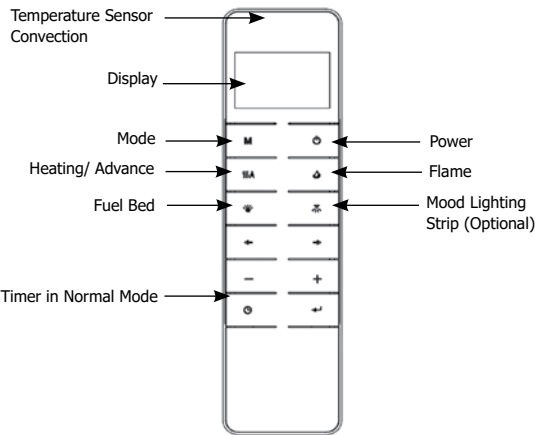
- Change the colour option.

There are fourteen colour options:



- Increase or decrease the brightness level.

OPERATING THE APPLIANCE - ADVANCED OPERATION



TURN ON/OFF

Press button to turn on the flame effect.

Press button to turn off all the functions under the normal heating control mode.

Press button to turn off the flame effect under daily and week timer heating mode.

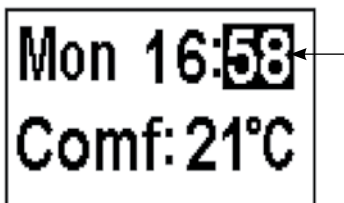
WEEK DAYS/ TIME/ COMFORT TEMPERATURE AND UNIT SETTING

Ensure the clock is set to the correct time.

Press **M** for 3 seconds.

Press the '**<**' or '**>**' button to choose setting.

The selected character will be highlighted.



Press the '**+**' or '**-**' button to adjust the number.

Time: 24-hour system.
Select Comfort temperature from 17-25°C.
Temperature unit: °C/°F.

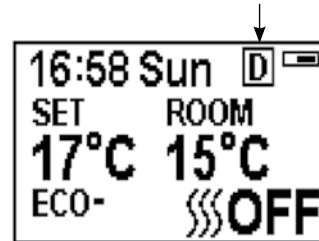
Press the button for 3 seconds or wait 10 seconds to save and exit the week, time and heating temperature setting.

DAILY TIMER HEATING

The following heating periods have been preset, but can be altered if desired:

06:00 until 08:00
17:00 until 22:00

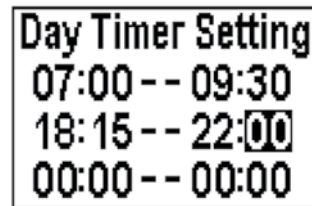
Press **M** until **D** shows at the upper right corner of the screen.



Hold the button for 6 seconds.
3 timed heating periods can be set per day.

Press '**<**' or '**>**' to choose hour or minute.

Press '**+**' or '**-**' to set the number.
The minute increment / decrement by 15min per press.



Hold the button for 3 seconds or wait for 10 seconds to save and exit the heating time period setting.

Press to check the daily timer mode.

To turn heating off, return to Normal Control Mode.

When in Daily Timer Mode switching the appliance off with the remote will stop the light output. The heat output will continue according to the timer settings.

ADJUSTING THE SET TEMPERATURE

Press the '**+**' or '**-**' button to increase or decrease the temperature on the basis of COMF temperature.

COMF means the actual temperature is the same as setting.

ECO means the actual temperature is 2°C lower than the setting temperature.

ECO- means 4°C lower.

COMF+ means 2°C higher.

COMF++ means 4°C higher.

ADAPTIVE START CONTROL

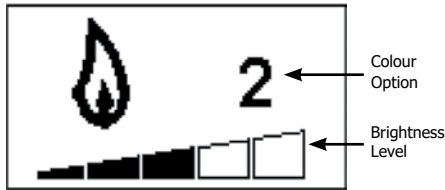
The heater will automatically determine the appropriate time to heat to ensure that it will reach the set-pointed temperature at the set time (up to 45 minutes prior to the set time).

FLAME COLOUR ADJUSTMENT

Press button.

There are 3 flame colour options.

There are 5 levels of brightness, including off.



Press the ' \leftarrow ' or ' \rightarrow ' button to cycle through the flame colour options.

Press the '+' button to increase the flame brightness.

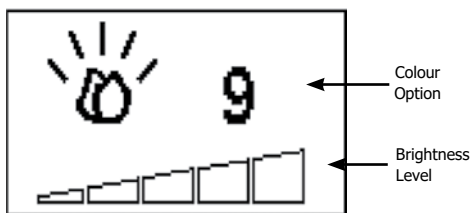
Press the '-' button to decrease the flame brightness until off.

FUEL BED COLOUR ADJUSTMENT

Press to enter the fuel bed light adjustment screen.

There are 14 fuel bed colour options.

There are 5 levels of brightness, including off.



Press the ' \leftarrow ' or ' \rightarrow ' button to cycle through the fuel bed colour options.

Press the '+' button to increase the fuel bed brightness.

Press the '-' button to decrease the fuel bed brightness until off.

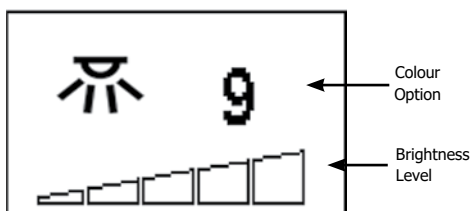
MOOD LIGHTING COLOUR ADJUSTMENT

Optional. Must be purchased separately. See manual for details.

Press to enter the Mood light adjustment screen.

There are 14 colour options.

There are 6 levels of brightness, including off.



Press the ' \leftarrow ' or ' \rightarrow ' button to cycle through the colour options.

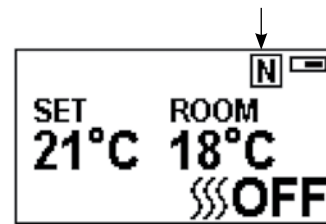
Press the '+' button to increase the brightness.

Press the '-' button to decrease the brightness until off.

NORMAL CONTROL MODE

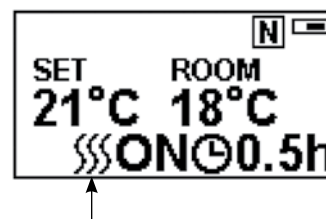
Normal Control Mode is the default setting.

Press **M** button until the **N** logo is shown



Press the '+' or '-' button to adjust the setting temperature from 17 °C to 25°C.

Press **A** button to turn the heat on/off.



Note: It is normal for the fan heater to stop running for periods of time. This happens if the room temperature is higher than the temperature set on the control.

The heater indicator will be turned off after 10s if the flame is switched ON. The heater indicator will stay ON if only the heating function is used.

When in Normal Control Mode switching the appliance off with the remote will stop both the light and heat output.

COUNT DOWN TIMER

This setting is only in normal heating control mode. It allows the appliance to be returned to Standby after a set period of time. The heater must be switched on to use this function.

Press to cycle through the setting from Off and 0.5 hours to 9 hours. Timer logo and remaining time will show on the screen.

The heater of appliance can be automatically run by using daily timer and weekly timer.

WEEK TIMER HEATING

The following heating periods have been preset, these can be altered if desired:

From Monday to Friday
06:00 until 08:30
17:00 until 22:00

From Saturday to Sunday
06:30 until 09:30
11:00 until 13:00
17:00 until 22:00

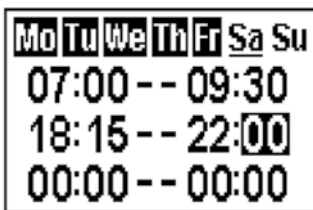
Press **M** until **W** shows.



Hold the **←** button for 6 seconds.

Press '**←**' or '**→**' to move the cursor (a flashing underline).

Press the **←** button in the corresponding week position to select (the character is highlighted) or cancel (the character is displayed normally) the current setting, the same time period can be selected together.



Press the '**→**' button to move the cursor to the time period setting area.

Press '**←**' or '**→**' button to choose hour or minute.

Press '**+**' or '**-**' to set the number.
A maximum of 3 timed heating periods can be set per day.
Minute increment / decrement by 15min per press.

Press **←** to set the heating time for the selected day and return to the week line.

Hold the **←** button for 3 seconds or wait for 10 seconds to save and exit the heating time period setting.

Press **←** '**←**' or '**→**' to check the timer setting for the week timer heating mode.

To turn heating off, return to Normal Control Mode.

When in Weekly Timer Mode switching the appliance off with the remote will stop the light output. The heat output will continue according to the timer settings.

ADJUSTING THE SET TEMPERATURE

Press the '**+**' or '**-**' button to increase or decrease the temperature on the basis of COMF temperature.

COMF means the actual temperature is the same as setting.

ECO means the actual temperature is 2°C lower than the setting temperature.

ECO- means 4°C lower.

COMF+ means 2°C higher.

COMF++ means 4°C higher.

ADAPTIVE START CONTROL

The heater will automatically determine the appropriate time to heat to ensure that it will reach the set-pointed temperature at the set time (up to 45 minutes prior to the set time).

ADVANCE MODE

The heating state can be advanced to the next period under both the daily and week timer heating mode.

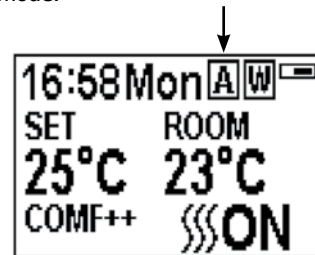


If the heater is on in the current period, pressing the button will turn the heater off.

If the heater is off in the current period, pressing the button will turn the heater on.

Heating output depends on the room temperature and setting temperature.

Press **}}} A** to enter the Advance mode under the daily and week timer heating mode.



Press **}}} A** again or timer period ends will exit the Advance mode.

WINDOW OPEN DETECTING

When the transmitter detects a rapid drop in room temperature, it will be judged as an open window: the warning icon will be displayed and the heating will be turned off automatically.



After indoor temperature rise or manual intervention (by operating remote control), it will return to normal working state.

QUICK SET UP GUIDE (DAY OF WEEK/TIME/CHANGE TEMPERATURE FROM C/F OR F/C)

Press the power button to turn on the remote.

Press and hold the **M** (Mode) button for 3 seconds. The first option that **BOLDS** is the day of the week.

To change the day of the week, press the **+** or **-** key, then press the right arrow key to go to the hour.

To change hour, press the **+** or **-** key, then press the right arrow key to go to the minute.

To change the minute, press the **+** or **-** key, then press the right arrow key to go to the room temperature.

To change or calibrate the room temperature, press the **+** or **-** key, then press the right arrow key to go the Temperature Scale between °C and °F.

To change the Temperature Scale, press the **+** or **-** key.

To complete, either press the power button or the bottom right back arrow button to save.

OPERATING THE APPLIANCE - TROUBLESHOOTING

BATTERY

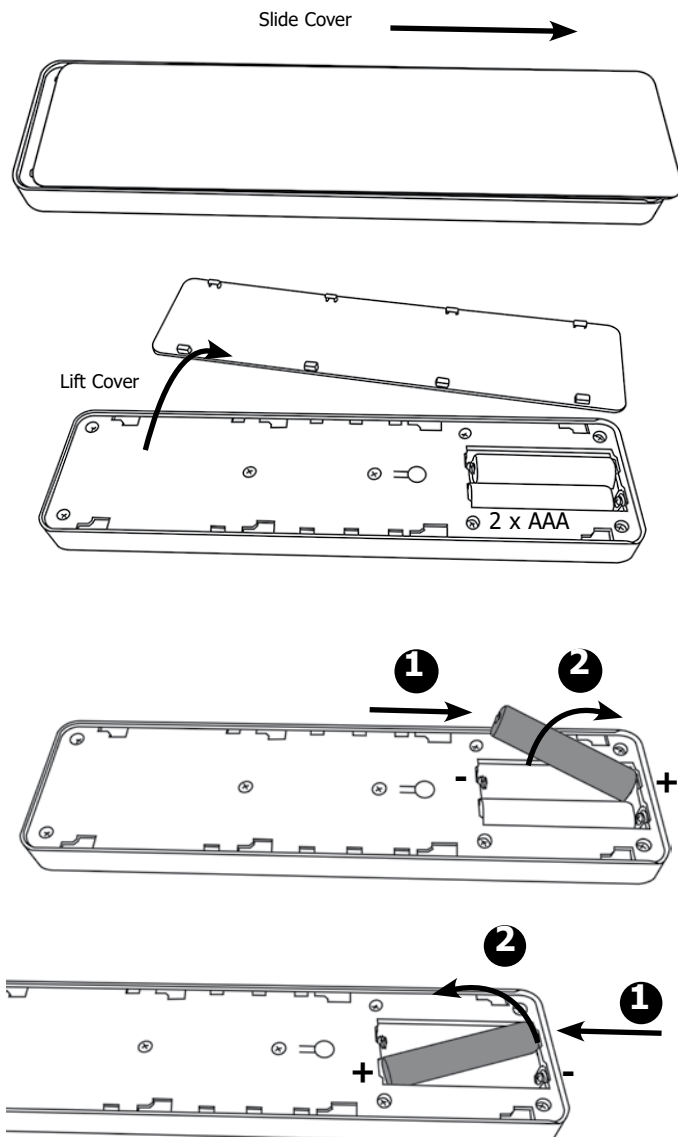
The battery power level is indicated at the top right of the remote control screen.

	Battery Full	No action required
	Battery Half Power	Ensure new batteries are available.
	Battery Empty	Replace batteries immediately

i **NOTE: The remote control has a Battery Status indicator (top right corner), after an extended period of displaying empty the LED screen will cease to function despite the handset still being able to send commands. Replace the batteries to restore display.**

BATTERY REPLACEMENT

Exhausted batteries are to be removed from the appliance and safely disposed of.



Ensure that the handset batteries are new and inserted correctly.

Dispose of old batteries at an appropriate recycling facility.

Battery replacement is recommended after 1 year. The Remote requires two 1.5V alkaline AAA batteries.

Ensure the correct polarity. Do not short circuit the terminals.

Do not attempt to recharge non-rechargeable batteries.

Remove rechargeable batteries before charging.

Do not mix old and new batteries.

Remove batteries if the appliance is not used for long periods.

Changing the batteries will not affect the Timer Mode settings.

Ensure the clock is set to the correct time.

i **NOTE: To use both remote and manual functions the manual on/off switch must be in 'ON' position. In order to prevent the product becoming too hot, there is 10s delay when turning on the heater and a 10s delay when turning off the heater fan.**

The manual button controls basic functions, not a full range of controls. Use the remote hand set to carry out all functions.

HEATER RUNNING INDICATORS

When the fan heater is used in conjunction with the flame or fuel bed effects the heater running indicators will light up for 10 seconds.

The LEDs will illuminate for 10 seconds if the flame or fuel bed effect is On.

If the fan heater is used independently, the heater running indicators will stay on.

RESET BUTTON FOR REMOTE CONTROL

If the handset loses signal or needs to be replaced then, see Servicing Instructions for details.

SIGNAL CODE

The handheld transmitter is configured in the factory with a unique signal code.

IMPORTANT: If the handset loses signal or needs to be replaced, see Servicing Section for details.

MAINTENANCE

ENSURE THE APPLIANCE IS TURNED OFF BEFORE CLEANING.

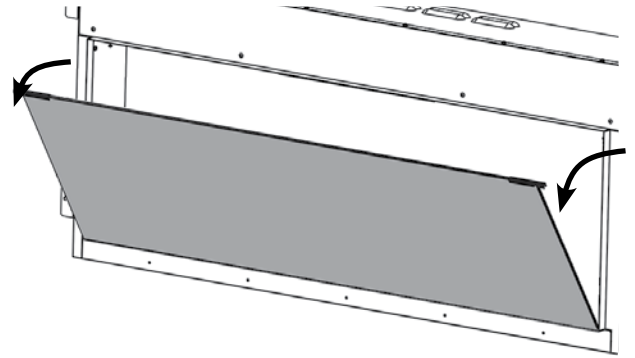
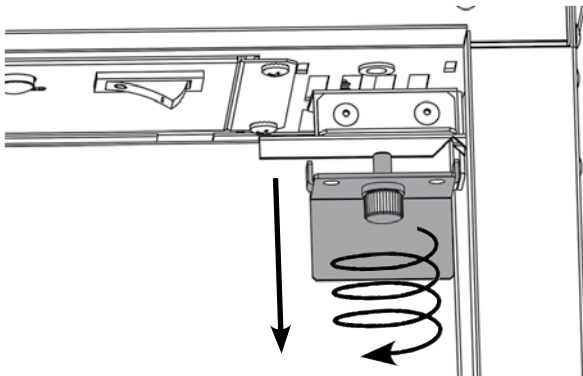
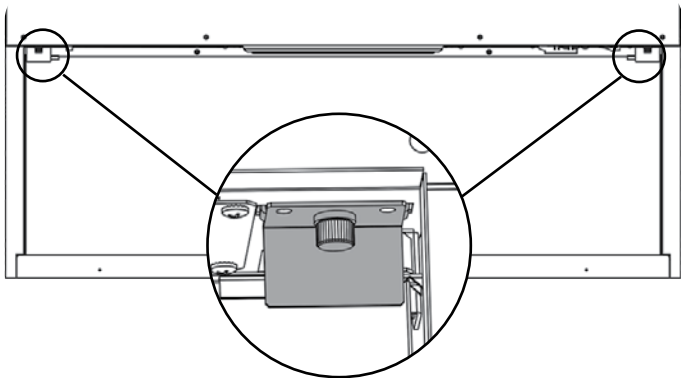
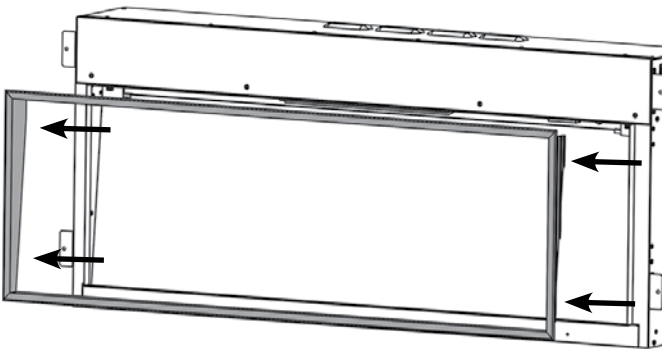
Wait for at least 10 minutes until the appliance has cooled down.

GLASS CLEANING

Wipe the glass viewing panel with a damp cloth and buff with a lint free duster.

Caution: Do not use abrasive cleaners on the glass panel. Do not spray liquids directly onto any surface of the unit.

CLEANING THE FUEL EFFECT



Remove and wash the fuel effect to remove any dust particles. Alternatively clean with a lint free duster.

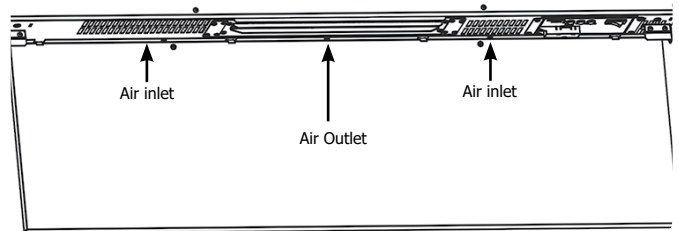
Ensure that the effect is dry before replacing.

Replace the fuel effect see Installation Instructions Section 5 for layout.

Replace in reverse order.

CLEANING AIR INLETS

Clean the air inlet and outlet grilles regularly with a soft cloth or the nozzle of a vacuum cleaner.



Dust build-up can inhibit efficient performance of the fan and lead to the safety cut-out operating.

Keep the area around the appliance clean and free of fluff, dust or pet hair.

In particular, build-up of dust etc. can occur around the heater area. Take particular care to keep this area free from such particles on a regular basis to prevent build-up.

SERVICING AND SUPPORT

To keep your appliance looking and performing at its best, it must be serviced annually. This service must be undertaken by a suitably qualified individual and your retailer can organize this for you.

INSTALLATION

GENERAL

TOOLS REQUIRED

A Screwdriver, Level, Saw and Drill will be needed.

UNPACKING THE FIREPLACE

WARNING! DO NOT use this appliance if any part has been exposed to water.

Immediately call a qualified service technician to inspect and to replace any part of the electrical system if necessary.

Open the packaging carefully and remove the polystyrene. Remove and discard the plastic bag. Keep plastic wrapping away from children. Be responsible when handling the packing materials.

Check all parts and accessories are removed before disposing of any packaging. If necessary keep the original packaging for future transport and/or storage.

Test the appliance before installation.

WARNING! KEEP ALL COMBUSTIBLE MATERIALS AT LEAST 1M/3.3 FEET FROM THE FRONT OF THE ELECTRIC FIREPLACE.

SERIAL DECALS

ES105

		WARNING: DISCONNECT FROM POWER BEFORE SERVICING PRODUCT AVERTISSEMENT : DÉBRANCHER AVANT L'ENTRETIEN												
<table border="1"> <tr> <td>MODEL No. / MODÈLE No.</td> <td>223-460</td> </tr> <tr> <td>SERIAL No. / No de SÉRIE</td> <td></td> </tr> <tr> <td>VOLTAGE / TENSION</td> <td>120V~ / 60Hz</td> </tr> <tr> <td>POWER / PUISSANCE</td> <td>1500W</td> </tr> <tr> <td>CURRENT / COURANT</td> <td>12.5A</td> </tr> <tr> <td>WEIGHT / POIDS</td> <td>48.5LB</td> </tr> </table>		MODEL No. / MODÈLE No.		223-460	SERIAL No. / No de SÉRIE		VOLTAGE / TENSION	120V~ / 60Hz	POWER / PUISSANCE	1500W	CURRENT / COURANT	12.5A	WEIGHT / POIDS	48.5LB
MODEL No. / MODÈLE No.	223-460													
SERIAL No. / No de SÉRIE														
VOLTAGE / TENSION	120V~ / 60Hz													
POWER / PUISSANCE	1500W													
CURRENT / COURANT	12.5A													
WEIGHT / POIDS	48.5LB													
Delta, British Columbia, V4G 1H4		PR3210 CAN ICES-3(B)/NMB-3(B)												

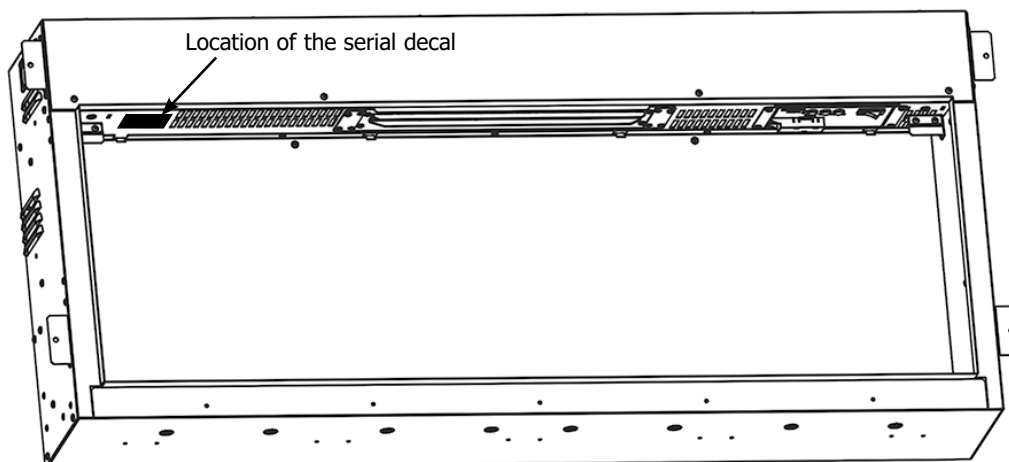
ES135

		WARNING: DISCONNECT FROM POWER BEFORE SERVICING PRODUCT AVERTISSEMENT : DÉBRANCHER AVANT L'ENTRETIEN												
<table border="1"> <tr> <td>MODEL No. / MODÈLE No.</td> <td>223-484</td> </tr> <tr> <td>SERIAL No. / No de SÉRIE</td> <td></td> </tr> <tr> <td>VOLTAGE / TENSION</td> <td>120V~ / 60Hz</td> </tr> <tr> <td>POWER / PUISSANCE</td> <td>1500W</td> </tr> <tr> <td>CURRENT / COURANT</td> <td>12.5A</td> </tr> <tr> <td>WEIGHT / POIDS</td> <td>60LB</td> </tr> </table>		MODEL No. / MODÈLE No.		223-484	SERIAL No. / No de SÉRIE		VOLTAGE / TENSION	120V~ / 60Hz	POWER / PUISSANCE	1500W	CURRENT / COURANT	12.5A	WEIGHT / POIDS	60LB
MODEL No. / MODÈLE No.	223-484													
SERIAL No. / No de SÉRIE														
VOLTAGE / TENSION	120V~ / 60Hz													
POWER / PUISSANCE	1500W													
CURRENT / COURANT	12.5A													
WEIGHT / POIDS	60LB													
Delta, British Columbia, V4G 1H4		PR3210 CAN ICES-3(B)/NMB-3(B)												

ES165

		WARNING: DISCONNECT FROM POWER BEFORE SERVICING PRODUCT AVERTISSEMENT : DÉBRANCHER AVANT L'ENTRETIEN												
<table border="1"> <tr> <td>MODEL No. / MODÈLE No.</td> <td>223-541</td> </tr> <tr> <td>SERIAL No. / No de SÉRIE</td> <td></td> </tr> <tr> <td>VOLTAGE / TENSION</td> <td>120V~ / 60Hz</td> </tr> <tr> <td>POWER / PUISSANCE</td> <td>1500W</td> </tr> <tr> <td>CURRENT / COURANT</td> <td>12.5A</td> </tr> <tr> <td>WEIGHT / POIDS</td> <td>88.2LB</td> </tr> </table>		MODEL No. / MODÈLE No.		223-541	SERIAL No. / No de SÉRIE		VOLTAGE / TENSION	120V~ / 60Hz	POWER / PUISSANCE	1500W	CURRENT / COURANT	12.5A	WEIGHT / POIDS	88.2LB
MODEL No. / MODÈLE No.	223-541													
SERIAL No. / No de SÉRIE														
VOLTAGE / TENSION	120V~ / 60Hz													
POWER / PUISSANCE	1500W													
CURRENT / COURANT	12.5A													
WEIGHT / POIDS	88.2LB													
Delta, British Columbia, V4G 1H4		PR3210 CAN ICES-3(B)/NMB-3(B)												

LOCATION OF SERIAL DECAL



Note: For illustration purposes only. May not be exactly as shown.

FITTING THE APPLIANCE

LOCATING THE STUDIO

Your new Studio may be installed virtually anywhere in your home. However, when choosing a location ensure that the general instructions are followed.

For best results, install out of direct sunlight.

The heater should ideally be fitted into/onto an internal flat wall constructed from either wood studs & drywall, brick. The fixings provided are for use on brick walls ONLY. Please ensure that suitable fixings are used when securing to any hollow or purpose built cavity.

NOTE: This appliance is not suitable for fitting to a Cavity Wall, backing on to an outside wall, an open chimney or any opening that may be subject to damp and draft, unless adequate precautions are taken to avoid the appliance coming into contact with moisture or excessive drafts. In such installations, any existing chimney and/or purpose provided air vents should be fully sealed.

For exterior/outside walls, insulate the enclosure to the same degree as the rest of the house, apply vapor barrier and drywall, as per local installation codes. Do not insulate the appliance itself.

Make sure there are no pipes or cables behind the area to be drilled or cut.

Always ensure the appliance is adequately supported and sits on a firm structure when mounting above floor level.

The appliance should ideally be located close to a suitable main socket to enable connection. An extension could be run from an existing socket outlet but this must be carried out by a suitably qualified electrical engineer.

The electrical socket must be easily accessible to allow disconnection when the appliance is fitted.

If the power cord is damaged, it must be repaired by the manufacturer, its authorised service centre or professional person.

Ensure that curtains and furniture are not positioned close to the chosen position, as this would create a potential fire hazard or block the heater outlet ducts.

WARNING! KEEP ALL COMBUSTIBLE MATERIALS AT LEAST 3.3'/1M FROM THE FRONT OF THE ELECTRIC FIREPLACE.

SERVICING REQUIREMENTS



DURING SERVICING OF THIS APPLIANCE IT MAY BE NECESSARY TO CUT CABLE TIES IN ORDER TO ACCESS AND REMOVE SOME OF THE PARTS. THESE MUST BE REPLACED WHEN REASSEMBLING THE APPLIANCE.

THIS APPLIANCE MUST ONLY BE SERVICED BY A SUITABLY QUALIFIED PERSON.

BEFORE UNDERTAKING ANY WORK ON THE APPLIANCE: SWITCH OFF THE APPLIANCE AND ISOLATE THE POWER SUPPLY ENSURING THERE IS NO POWER TO THE APPLIANCE.

Wait for at least 10 minutes until the appliance has cooled down.

Remote Handset Battery Replacement

Replace with 2 AAA batteries. Make sure the batteries are installed correctly in the remote control.



NOTE: The remote control has a Battery Status indicator (top right corner), after an extended period of displaying empty the LED screen will cease to function despite the handset still being able to send commands. Replace the batteries to restore display.

Maintenance of Motors

The motor used on the flame effect is pre-lubricated for extended bearing life and requires no further lubrication. However, periodic cleaning/vacuuming of the heater unit is recommended.

Resetting the Thermal Cutout Switch

The appliance is fitted with an Electronic Safety Control (E.S.). This is a safety device which switches off the fire if, the appliance overheats for any reason e.g. when covered.

If the heater stops operating while the flame effect continues normally, this indicates that the E.S. Control is in operation.

The E.S. Control can only be re-set after the appliance has cooled down.

To re-set the E.S:

Switch off the appliance (Manual On/Off switch) and leave for approximately 120 minutes.

Remove any obstruction to the fan heater outlet or other internal parts.

Switch on appliance and the E.S. Control will re-set. Ensure that the appliance is functioning correctly. If the E.S. Control operates again, the appliance should be checked by a competent Electrician.

TECHNICAL SPECIFICATION

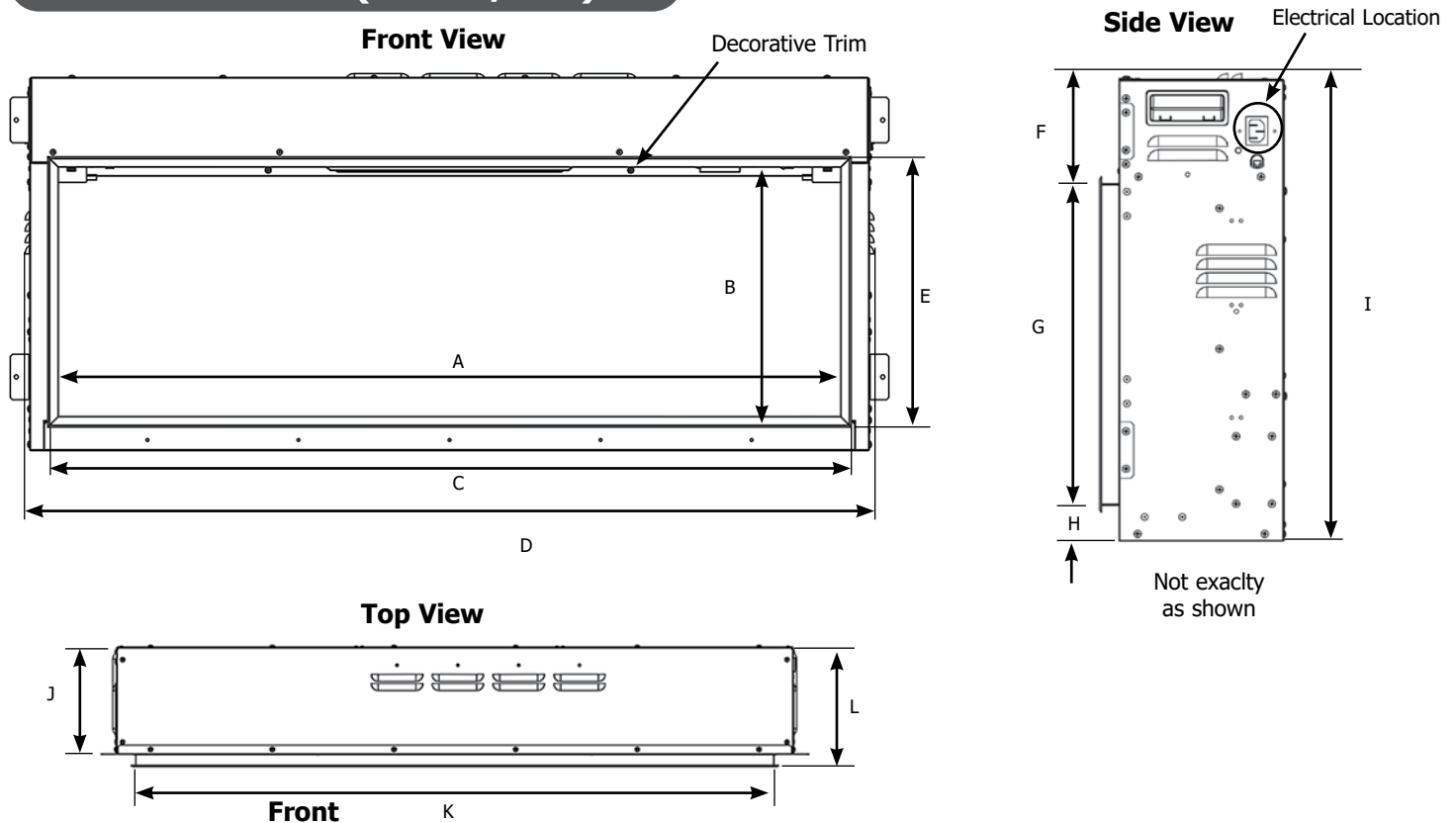
STUDIO ES105	STUDIO ES135	STUDIO ES165
--------------	--------------	--------------

Studio ES105	1500 Watts
Studio ES135	1500 Watts
Studio ES165	1500 Watts

Maximum power consumption: 120V, 13 amp., 60Hz
 A 1.8m/72" lead with plug is supplied.
 2 x Remote control handset battery (AAA).

IMPORTANT: A 15 amp, 60Hz 120 Volt circuit is required for installation of this Appliance. A dedicated circuit is not required, but is highly recommended to prevent circuit breaker from tripping or fuse failure. Failure to provide adequate power to this Appliance will void your warranty. **NOTE: If hard wiring to the Appliance, this must be completed by a qualified electrician. Failure to do so will void your warranty.** The wiring from the appliance to the breaker must be supplied by a qualified electrician. This is not supplied with the appliance.

DIMENSIONS (inches/mm)



MODEL	A	B	C	D	E	F
Studio ES105	40-3/4" (1036 mm)	13" (330 mm)	41-7/8" (1064 mm)	44-1/4" (1124 mm)	14-1/8" (358 mm)	4-5/8" (117 mm)
Studio ES135	52-5/8" (1336 mm)	13" (330 mm)	53-11/16" (1364 mm)	56-1/16" (1424 mm)	14-1/8" (358 mm)	4-5/8" (117 mm)
Studio ES165	62" (1574 mm)	13" (330 mm)	63-1/16" (1602 mm)	65-7/16" (1662 mm)	14-1/8" (358 mm)	4-5/8" (117 mm)

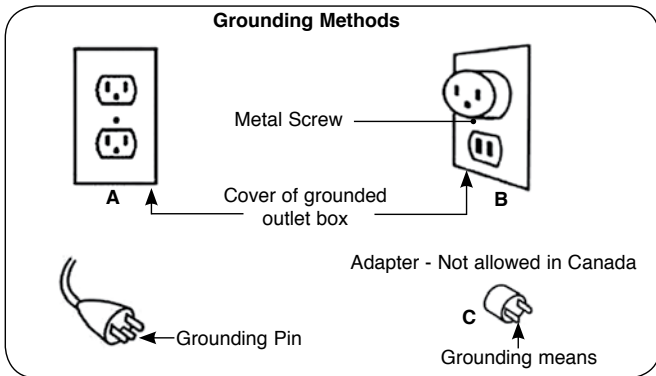
MODEL	G	H	I	J	K	L
Studio ES105	13-9/16" (344 mm)	1-1/2" (38 mm)	19-7/16" (494 mm)	6-7/8" (175 mm)	41-5/16" (1050 mm)	7-3/4" (196 mm)
Studio ES135	13-9/16" (344 mm)	1-1/2" (38 mm)	19-7/16" (494 mm)	6-7/8" (175 mm)	53-3/16" (1350 mm)	7-3/4" (196 mm)
Studio ES165	13-9/16" (344 mm)	1-1/2" (38 mm)	19-7/16" (494 mm)	6-7/8" (175 mm)	62-1/2" (1588 mm)	7-3/4" (196 mm)

WIRING KITS

The appliance is supplied with a 3 prong plug with a 72" lead which is included with the manual package, it will need to be modified for hard wiring.

Note: Must be plugged into a 3 prong receptacle which is exposed and accessible. Do not under any circumstances, cut the ground on the 3 prong plug.

This appliance is for use on 120 Volts. Only the cord has a plug as shown in (A). An adapter as shown in (C) is available for connecting three-blade grounding type plugs to two slot receptacles. The green grounding lug extending from the adapter must be connected to a permanent ground such as a properly grounded outlet box. The adapter should not be used if a three-slot grounded receptacle is not available.



To disconnect the appliance, turn the controls to off, then remove plug from outlet.

This appliance must be connected and grounded in accordance with local codes, if hard wired. In the absence of local codes, the use the current CSA C22.1 CANADIAN ELECTRICAL CODE in Canada or the current ANSI/NFPA 70 NATIONAL ELECTRICAL CODE in the United States.

HARD WIRING

Note: The wiring from the appliance to the breaker & Strain relief must be supplied by a qualified electrician. This is not supplied with the appliance.

IMPORTANT: A 15 AMP, 60Hz circuit is required for 120 VAC installation. Additional appliances on the same circuit may exceed the current rating of that circuit. A dedicated circuit is not required but is preferred to prevent circuit breaker trips.

- 1 Locate the power supply which will be located on the right-hand side if facing the front of the appliance. The location will vary depending on model. It may be located at either the bottom or top as shown below.

Bottom Location

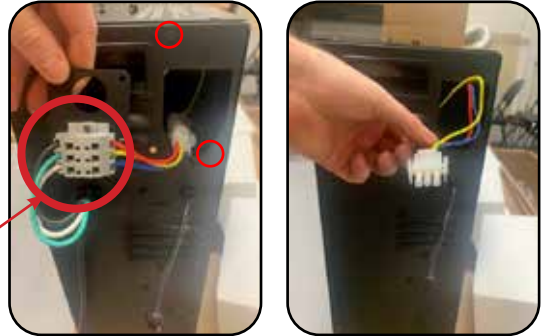


Top Location



- 2 Remove the wire harness & cover plate from the appliance by removing the two Philip head screws from the side of the appliance as shown below. Disconnect the Molex connector and remove the wire harness & cover plate.

Wire Harness & Cover Plate



- 3 Using the same wire harness & cover plate removed in step 2, connect your BX Cable or similar (3 Wire) & metal strain relief (Both supplied by others) to the back of the wire harness & cover plate as shown below. When Connecting the BX Cable to the back of the hardwire cover plate you will need a small screwdriver (slot) to push down the back tabs this will open the slot the wire goes into. Remove the screwdriver to lock the wire in place.

Note: When stripping back the wires ends from the BX cable, they should be stripped back appropriately 1/2" (13 mm).

The following instructions must be followed to install a 3 wire NM-B Romex cable to the terminal block.

- 1 Connect the ground wire (green/copper) to the ground terminal (yellow).
- 2 Connect the line input neutral wire (white) to the N terminal (blue).
- 3 Connect the line input voltage wire (black) to the L1 terminal (red).

Terminal Block



- 4 Once all three wires from the BX cable or similar have been connected to the hardwire & Cover plate, reconnect the molex connector removed in step 2. (blue to blue, yellow to yellow, red to red). Carefully push the wires back into the cavity that houses the wires and secure the wire harness & cover plate to the appliance with the Philip head screws (x2) removed in step 2.

- 5 Feed wire from appliance to breaker /power source.



POWER CORD CONVERSION

IMPORTANT: A 15 AMP, 60Hz circuit is required for 120 VAC installation. Additional appliances on the same circuit may exceed the current rating of that circuit. A dedicated circuit is not required but is preferred to prevent circuit breaker trips.

- 1 Locate the power supply which will be located on the right-hand side if facing the front of the appliance. The location will vary depending on model. It may be located at either the bottom or top as shown below.

Bottom Location

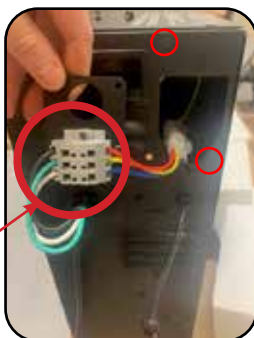


Top Location



- 2 Remove the wire harness & cover plate from the appliance by removing the two Philip head screws from the side of the appliance as shown below. Disconnect the Molex connector and remove the wire harness & cover plate. Once removed recycle or keep the wire harness & cover plate for future use.

Wire Harness & Cover Plate



- 3 Locate the 120 VAC power cord which will be in the manual package that accompanied the appliance. Connect the 120 VAC power cord option to the Molex connector on the appliance (blue to blue, yellow to yellow, red to red).



- 4 Install the wire harness & cover plate and 120 VAC power cord to the appliance and secure with the 2 x Philip head screws removed in step 2.



Wire Harness & Cover Plate Reinstalled.

- 5 **Note:** The appliance must be plugged into a 3 prong receptacle which is exposed and accessible. Do not under any circumstances, cut the ground on the 3-prong plug.

CONTROL SYSTEM TECHNICAL DATA

	MAIN CONTROL BOARD	REMOTE RECEIVER BOARD	REMOTE CONTROL
Hardware	RC01-043A03 V0.	RF290B V1.2	RF290A-TX V1.3
Software	RC01-043A03 V0.	-	RF290C V06.0.HEX
Frequency	-	-	ASK/OOK 433.92MHz
GB: Maximum Transmit Power	-	-	10mW

PACKING CHECKLIST



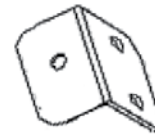
x1



x1



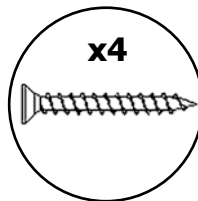
x2 (AAA)



x4



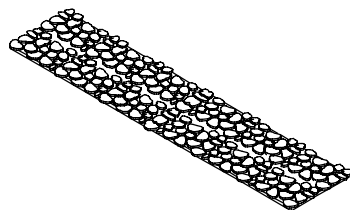
x10 (ST4x8)



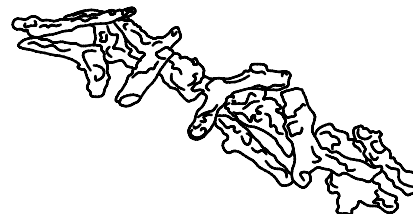
x4 (Wood screws)



x1



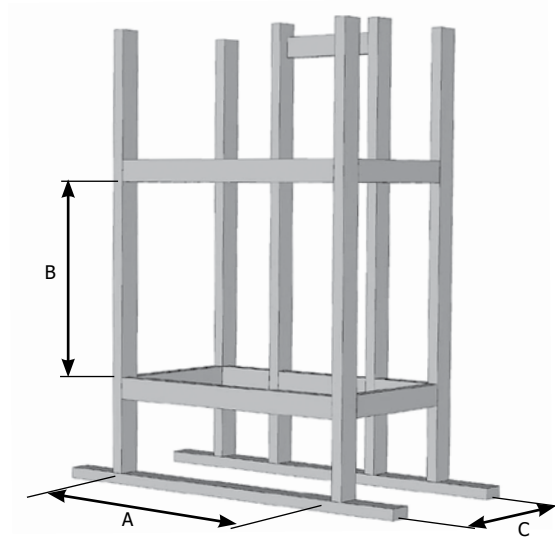
x1



x1

FRAMING INSTALLATION

NOTE: Framing may be constructed of combustible material (i.e. 2 x 4/2 x 6) and does not require steel studs.



NOTE: The appliance must be installed on a flat, solid, continuous surface (e.g. wood, metal, concrete).which must be the full width and depth of appliance.

This may be the floor, or raised up on a platform to enhance its visual impact.

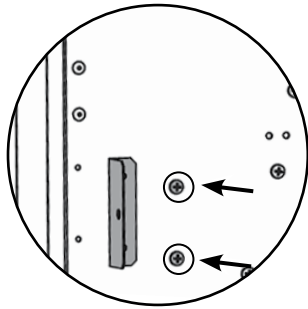
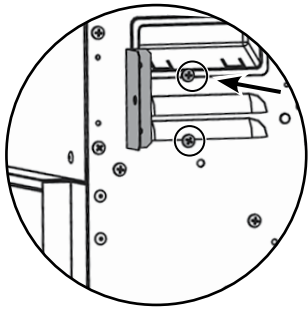
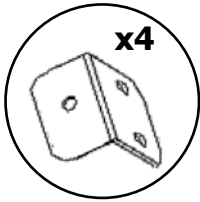
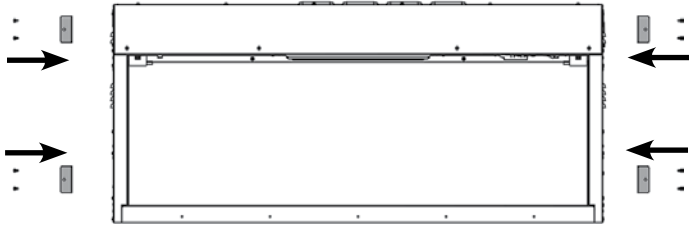
Note: Measurement (B) does not include height of platform base if raised off the ground.

Example 1/2"(13 mm) thick platform base = 21" (533mm) framing height.

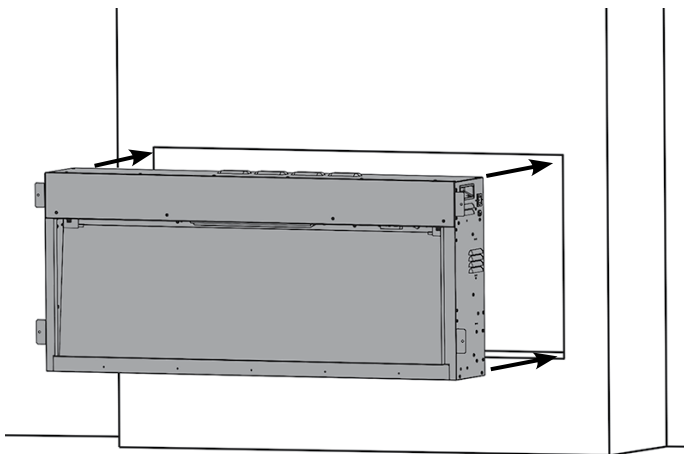
DIMENSION (mm)	A	B	C
Studio ES105	44-15/16" (1141 mm)	20-1/2" (520 mm)	7-5/8" (193 mm)
Studio ES135	56-3/4" (1441 mm)	20-1/2" (520 mm)	7-5/8" (193 mm)
Studio ES165	66-1/8" (1679 mm)	20-1/2" (520 mm)	7-5/8" (193 mm)

NAILING STRIP INSTALLATION

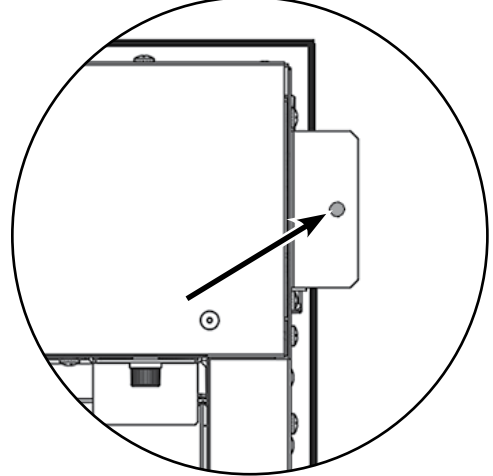
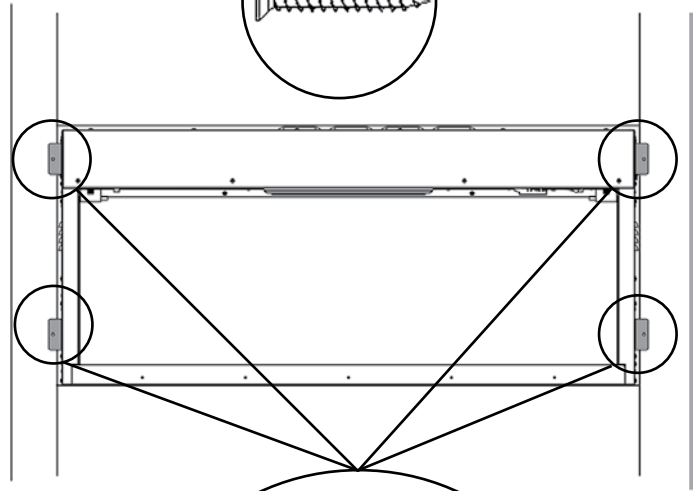
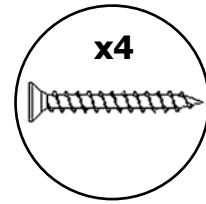
- ① Attach 4 nailing strips to appliance using the small black Philip head screws provided.



- ② Slide appliance into framing. Electrical connections should be made at this time.



- ③ Secure appliance to framing with 4 nailing strips using 4 wood screws.

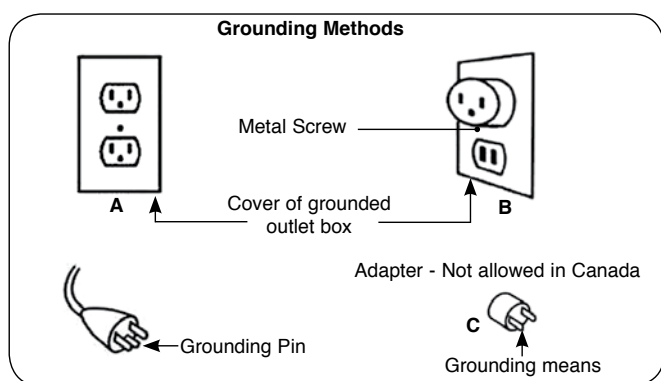


PLUGGING POWER CORD TO APPLIANCE

The appliance is supplied with a 3 prong plug with a 72" lead which is included with the manual package, it will need to be modified for hard wiring.

Note: Must be plugged into a 3 prong receptacle which is exposed and accessible. Do not under any circumstances, cut the ground on the 3 prong plug.

This appliance is for use on 120 Volts only. The cord has a plug as show in (A). An adapter as shown in (C) is available for connecting three-blade grounding type plugs to two slot receptacles. The green grounding lug extending from the adapter must be connected to a permanent ground such as a properly grounded outlet box. The adapter should not be used if a three-slot grounded receptacle is not available.



To disconnect the appliance, turn the controls to off, then remove plug from outlet.

This appliance must be connected and grounded in accordance with local codes, if hard wired. In the absence of local codes, use the current CSA C22.1 CANADIAN ELECTRICAL CODE in Canada or the current ANSI/NFPA 70 NATIONAL ELECTRICAL CODE in the United State.

If appliance is to be hardwired, see this manual for details.

IMPORTANT: A 15 amp, 60Hz 120 Volt circuit is required for installation of this Appliance. A dedicated circuit is not required, but is highly recommended to prevent tripping or fuse failure. Failure to provide adequate power to this Appliance will void your warranty.

COMPLETING THE INSTALLATION

The appliance is designed to be used with 1/2 in. (13 mm) wall sheathing materials such as drywall, plywood, wood composites, or non-combustible materials with the supplied decorative trim. Thicker materials may also be used.

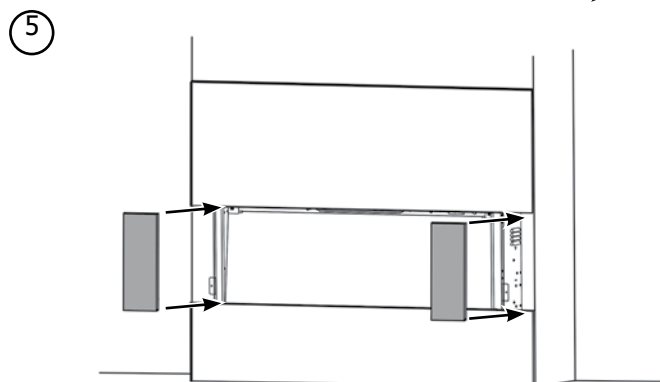
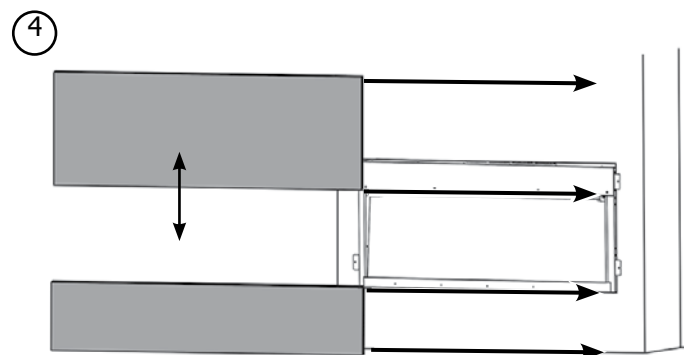
Thicker Finishing materials would need to go around the perimeter of the decorative trim. Ensure there is a minimum of 1/16"(3 mm) gap around the perimeter of the decorative trim to ensure safe removal to clean glass or for servicing appliance.

See technical specifications in this manual for overall sizes of decorative trim.

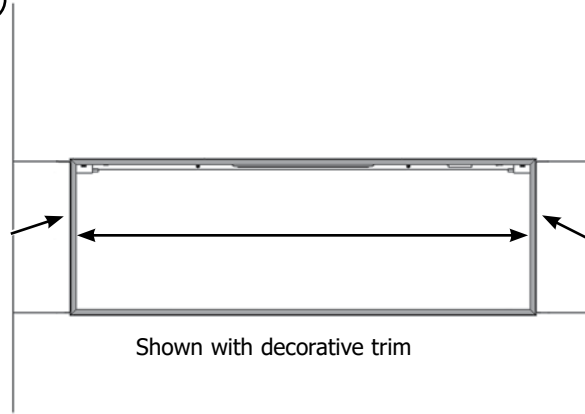
Facing and/or finishing materials must never overhang into the glass opening.

Facing materials may be combustible or non-combustible.

To cover cut/ exposed edges of the combustible facing material or any other finishing materials being used we suggest using J Style Trim or Metal Corner Bead purchased at your local hardware store. Do not penetrate any screws into the body face.



6 Completed Install



PAINTING

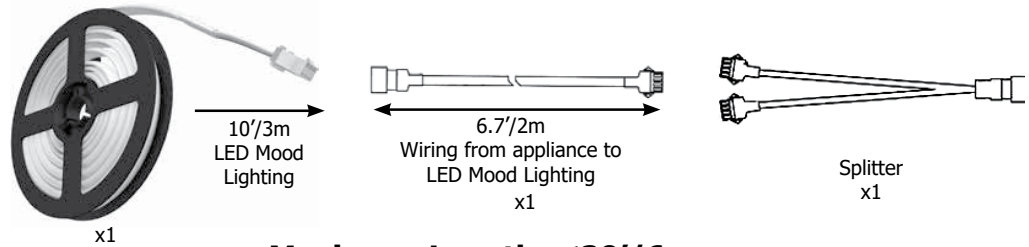
If desired finishing includes a painted wall, 100% acrylic latex, oil-based, or standard acrylic paints may be used.

Follow paint manufacturer's instructions for paint and primer application.

LED MOOD LIGHTING STRIP KIT INSTALLATION

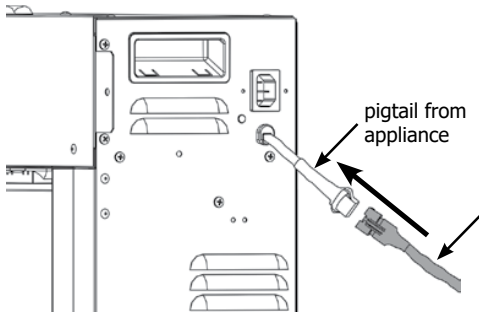
The appliance can be enhanced by an optional LED Mood Lighting Strip. This comes with 10' (3 m) of LED mood lighting and can be operated using the remote control provided with this appliance. A second LED mood kit may be obtained if more than 10' (3m) is required. This can be connected to the end of the first LED lighting strip or by using the splitter that is provided with the kit. A maximum of 3 kits is permitted.

Contents



Installation

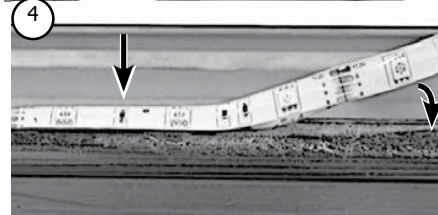
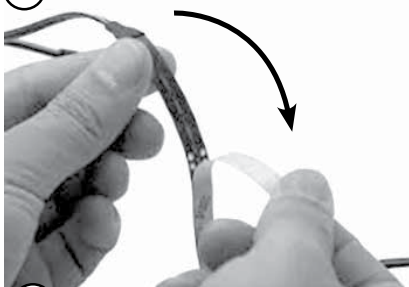
- 1 Locate pigtail on right hand side of appliance. Connect other end of LED mood lighting kit to the pigtail as shown below.



- 2 Cut LED strip to desired length. Ensure cut line is as per below.

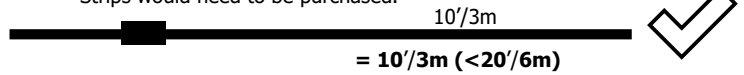


- 3 Peel adhesive from back side of LED strip.

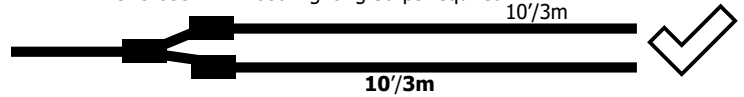


Maximum Length: ≤20'/6m

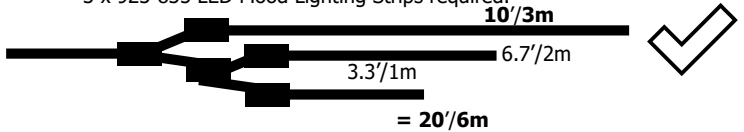
- 1 Maximum 20' (6m) with no splitter required. If more than 10' (3m) is required a second 923-835 LED Mood Lighting Strips would need to be purchased.



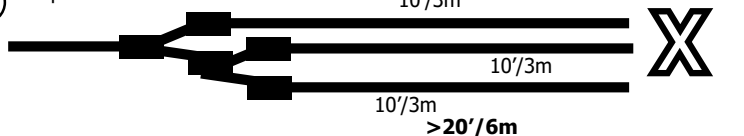
- 2 Maximum 20' (6m) using supplied splitter. 2 x 923-835 LED Mood Lighting Strips required.



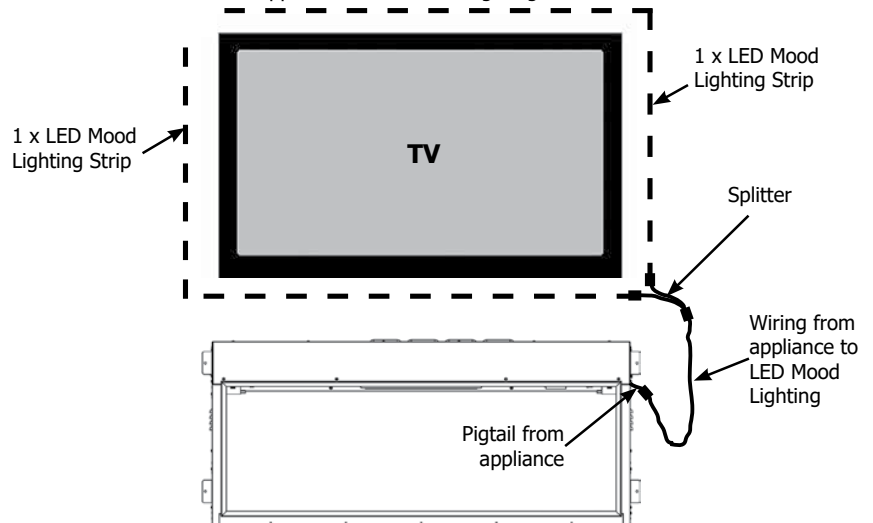
- 3 Maximum 20' (6m) with splitter from the original kit & additional splitter from second LED mood lighting strip kit purchased. 3 x 923-835 LED Mood Lighting Strips required.



- 4 Not permitted.



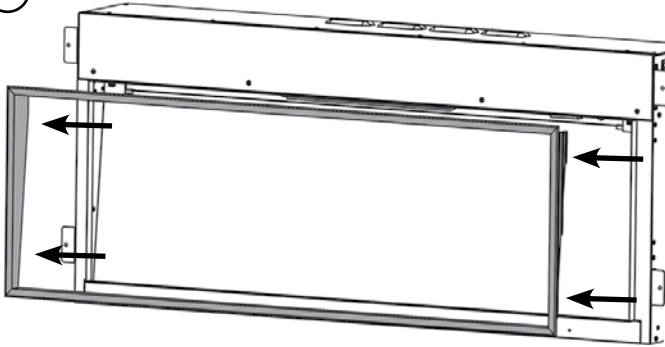
Example 2 x 923-835 Mood Lighting strip kit & 1 x splitter and 1 x wiring from appliance to LED mood lighting used. See below.



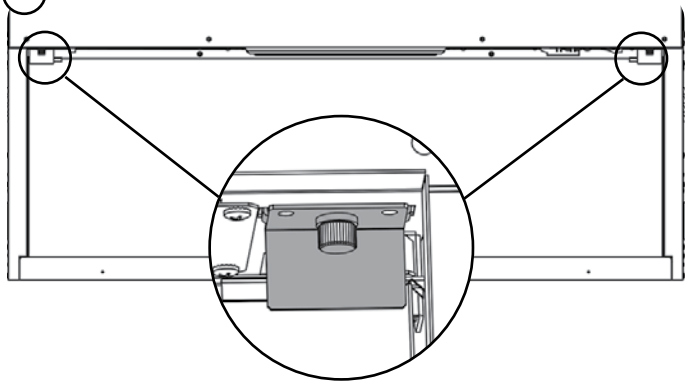
ACCESSING THE FUEL BED

Note: The decorative finishing trim & glass will need to be removed as per the steps below prior to installing any media inside the appliance. The following pages will note how to install any of the supplied or optional media.

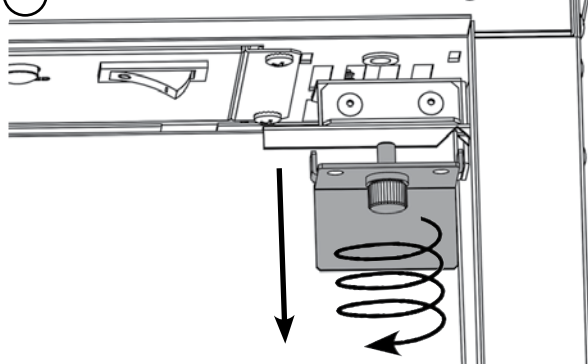
①



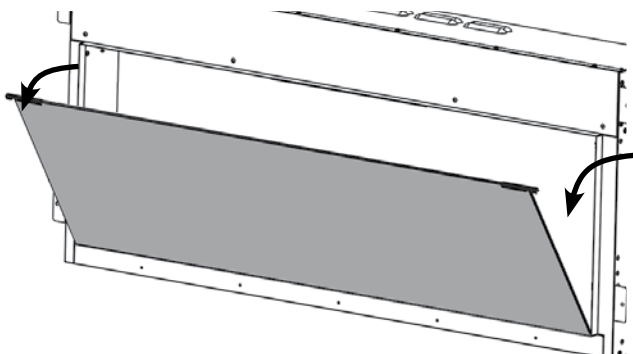
②



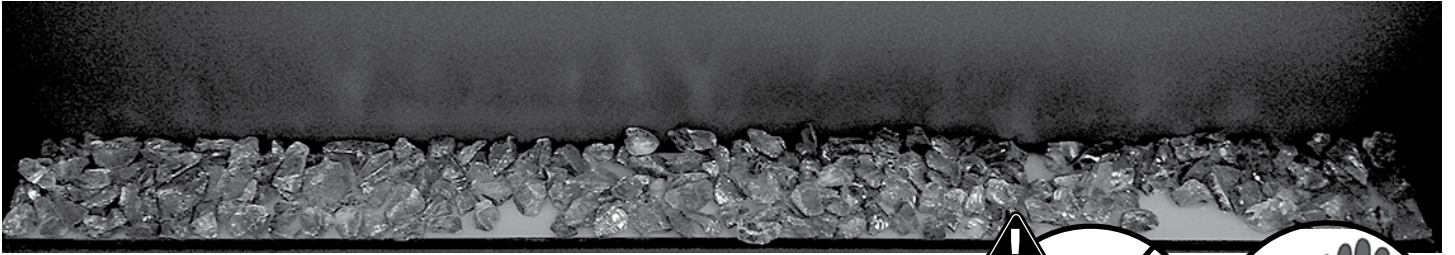
③



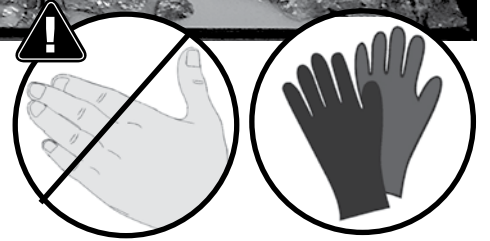
④



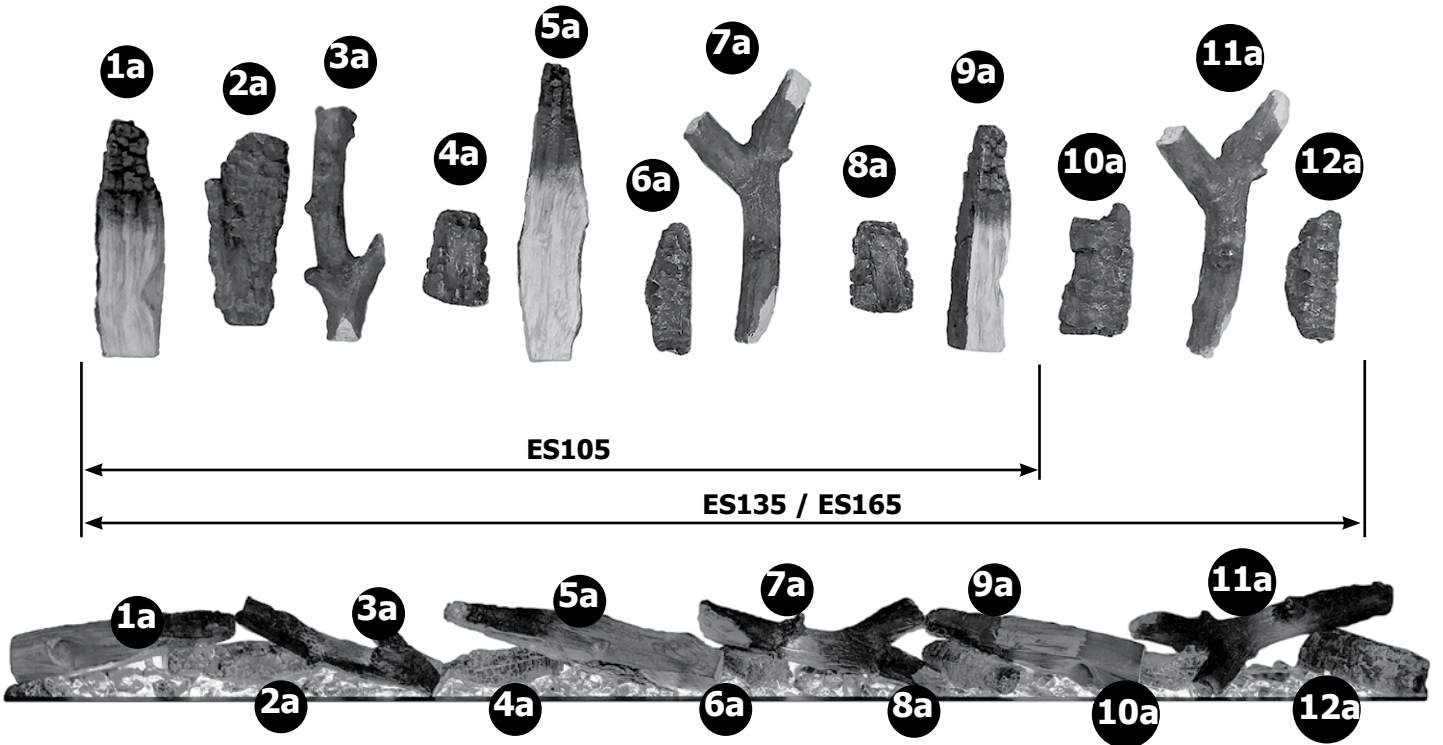
GLASS EMBERS



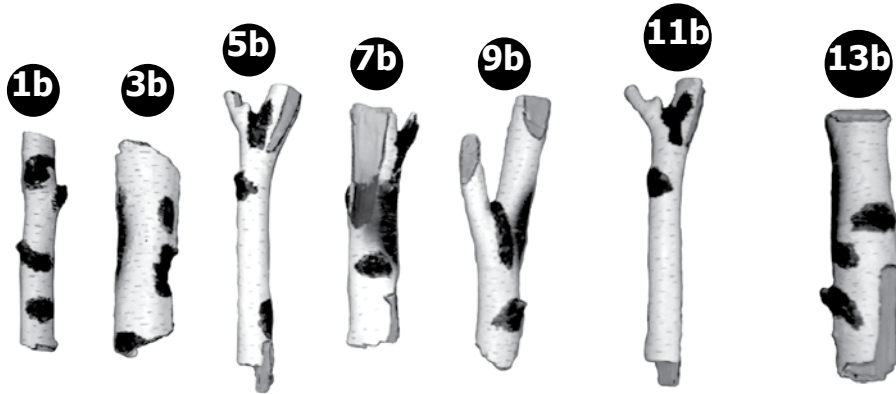
Spread the Glass Embers evenly over the fuel bed.
Note: The Ember Logs (See Log Layout) will rest directly on the fuel bed.



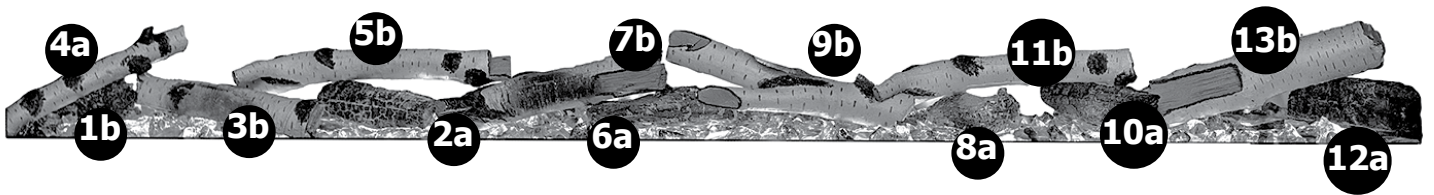
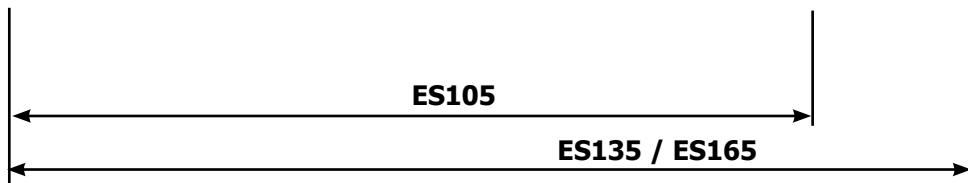
LOG SET - LOG LAYOUT



OPTIONAL SILVER BIRCH SET

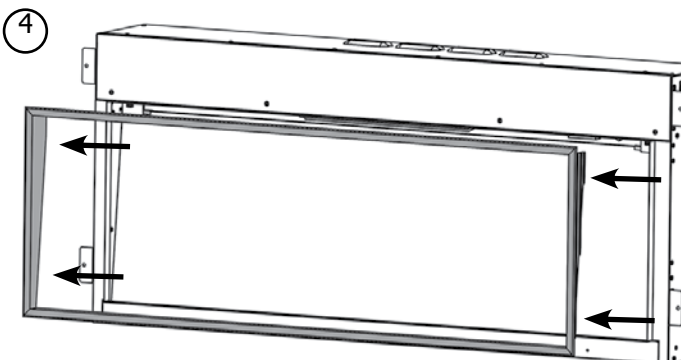
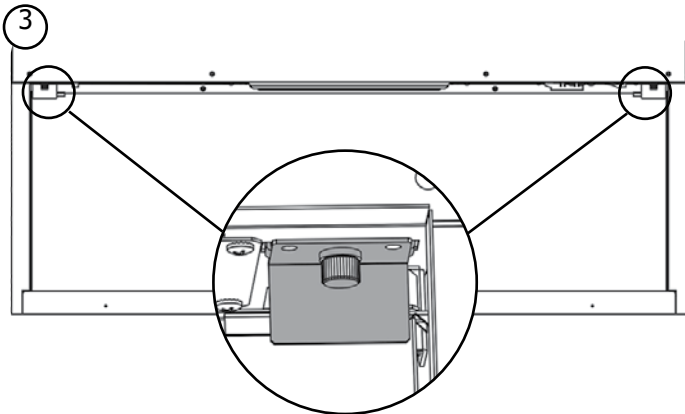
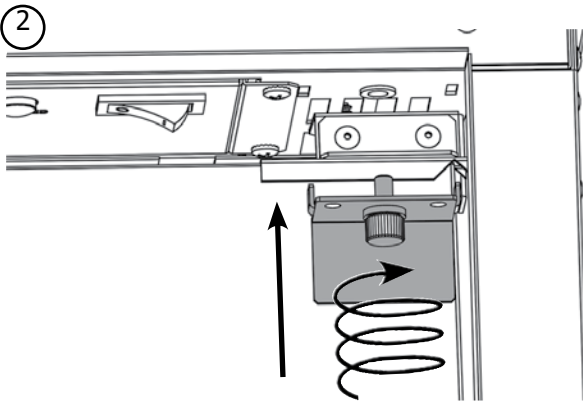
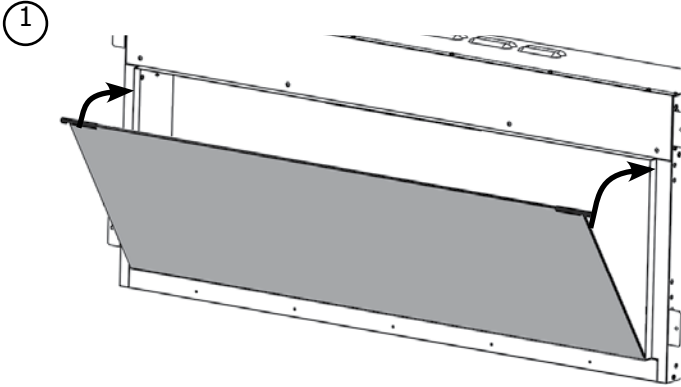


For remainder of log install see previous page which will note how to install 2a, 4a, 6a, 8a, 10a, 12a.



COMPLETION OF ASSEMBLY

Once media has been installed follow steps below to reinstall glass & decorative finishing trim.



PAIRING THE REMOTE CONTROL TO THE APPLIANCE

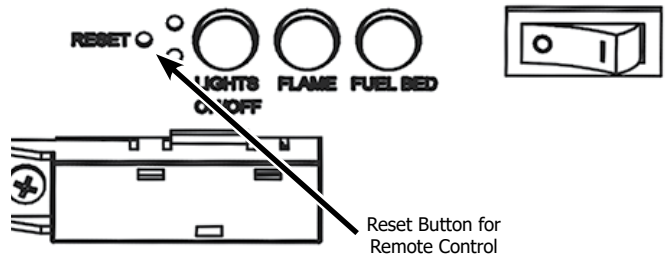
Signal Code

The below operations should be carried out before coding when changing to a new remote or the unit cannot be controlled by the remote:

The reset button is located on the control panel located on the right-hand side.

Press the reset button for 3 seconds (a pen point may be needed) until 3 short beeps sound from the unit, release the button.

Within 10 seconds, press the  button on remote. The coding is finished when 1 long beep sounds from the unit.



Resetting of the remote control is necessary if the appliance operates wrongly due to external interference signal and the remote control is not in use.

Open the back cover of the Remote.

Press the Reset button for 3 seconds and reset the coding

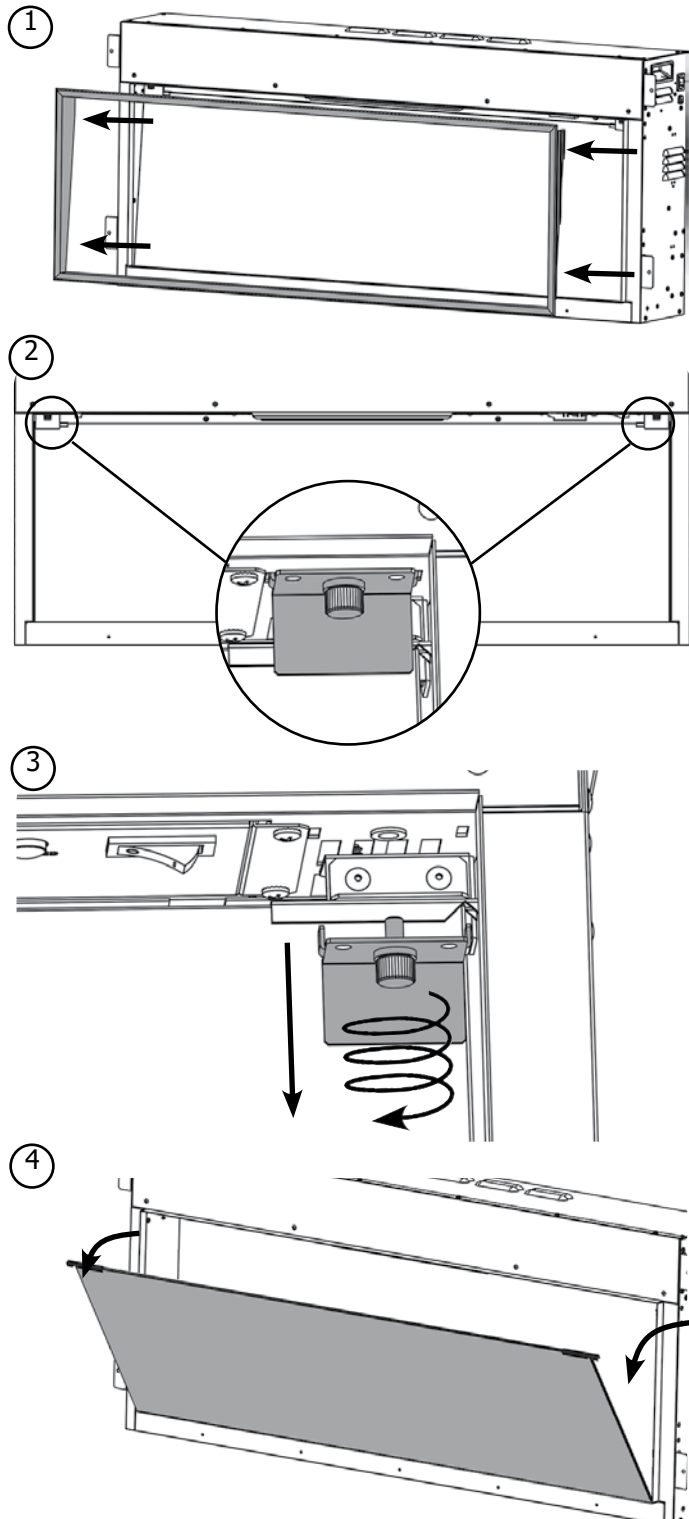


MAINTENANCE

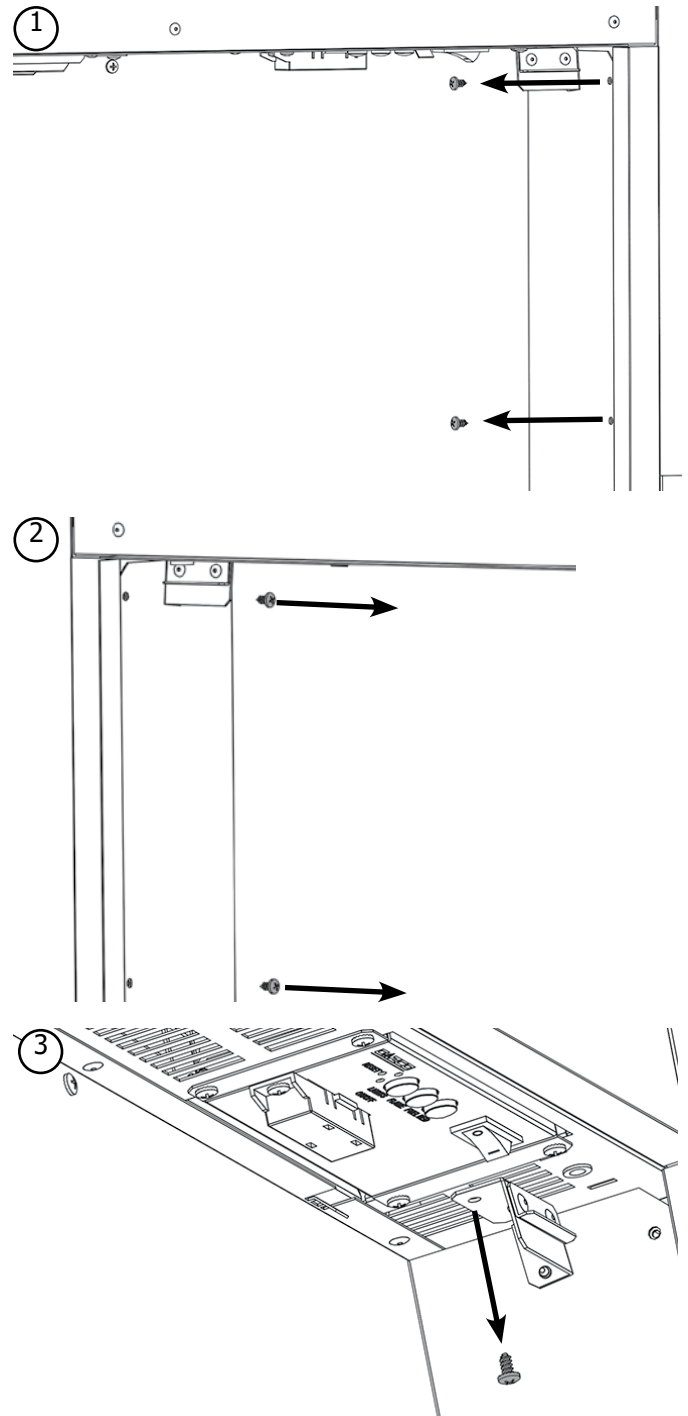
ACCESSING THE FUEL BED

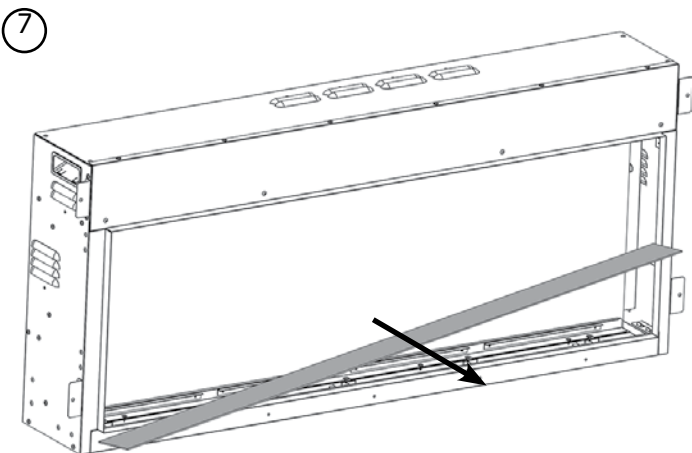
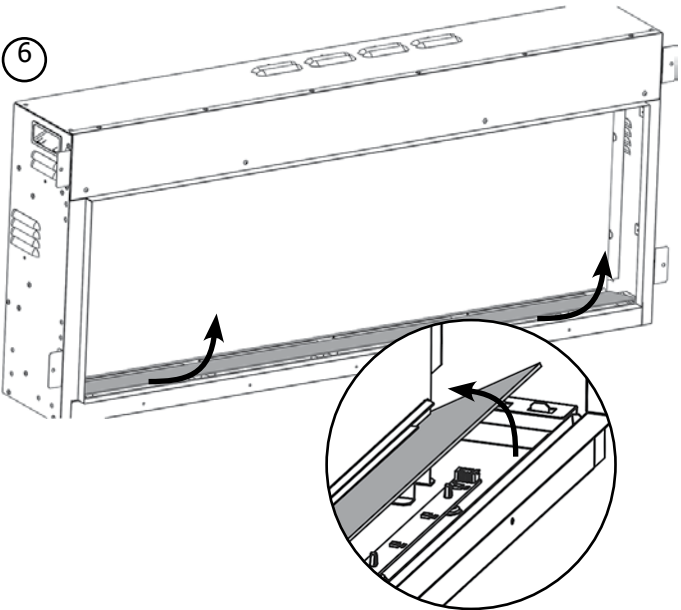
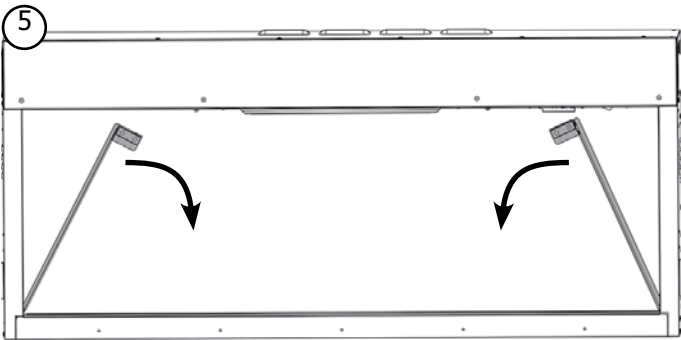
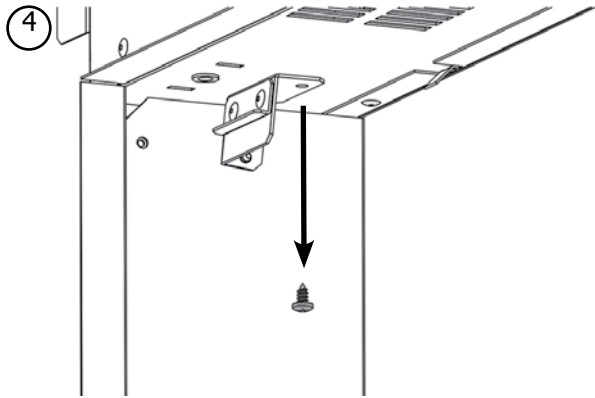
The decorative finishing trim, glass, media will need to be removed in order to do any maintenance inside of the appliance.

THIS APPLIANCE MUST ONLY BE SERVICED BY A SUITABLY QUALIFIED PERSON. BEFORE UNDERTAKING ANY WORK ON THE APPLIANCE: SWITCH OFF THE APPLIANCE AND ISOLATE THE POWER SUPPLY ENSURING THERE IS NO POWER TO THE APPLIANCE. Wait for at least 10 minutes until the appliance has cooled down.

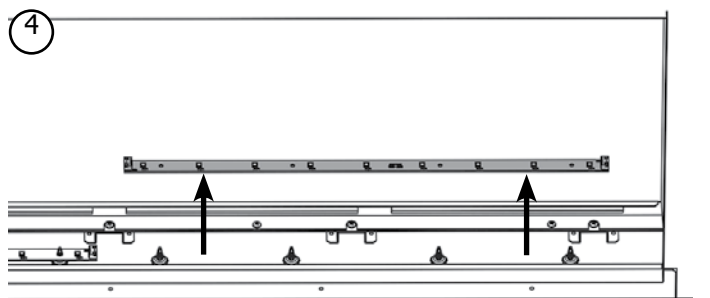
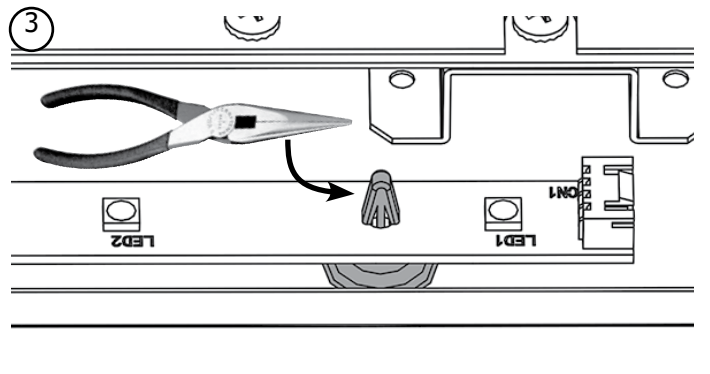
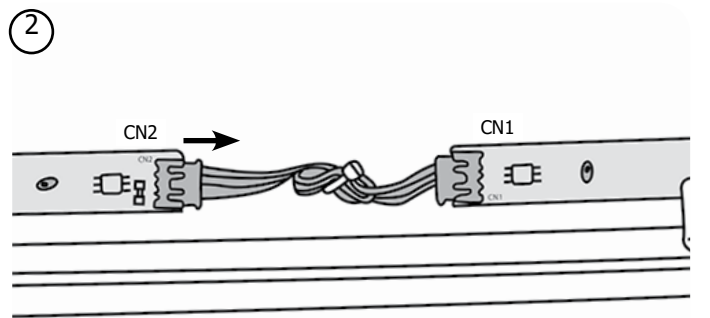
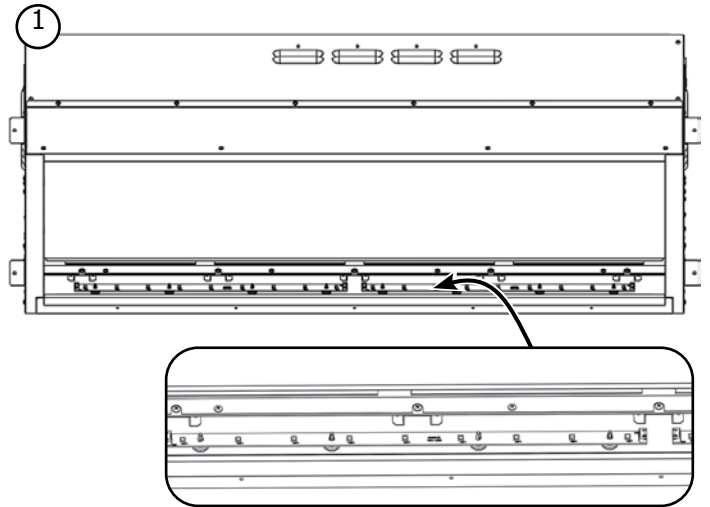


REMOVING THE FUEL BED

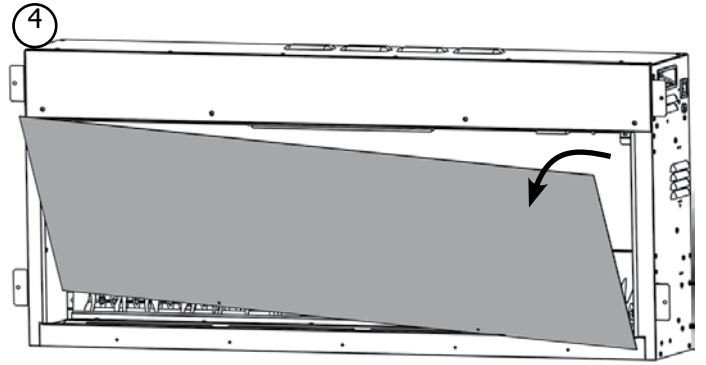
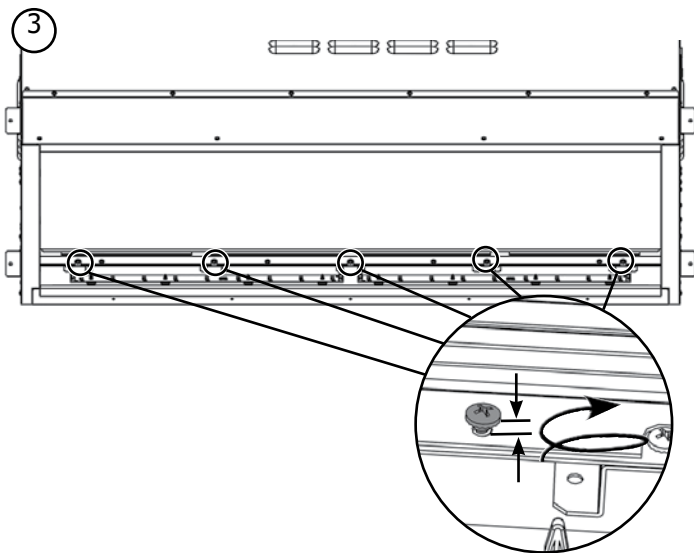
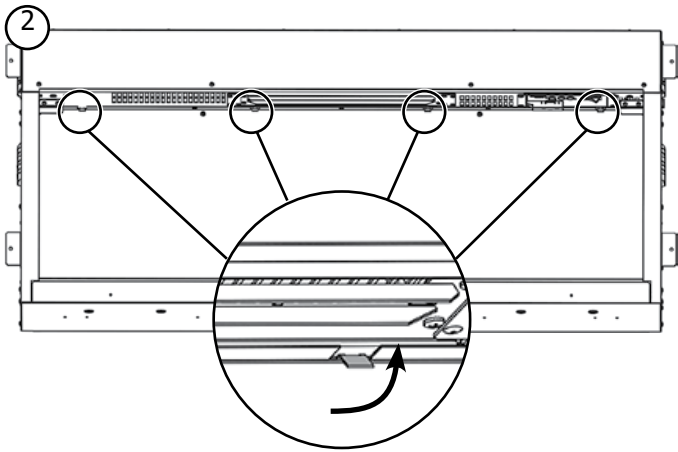
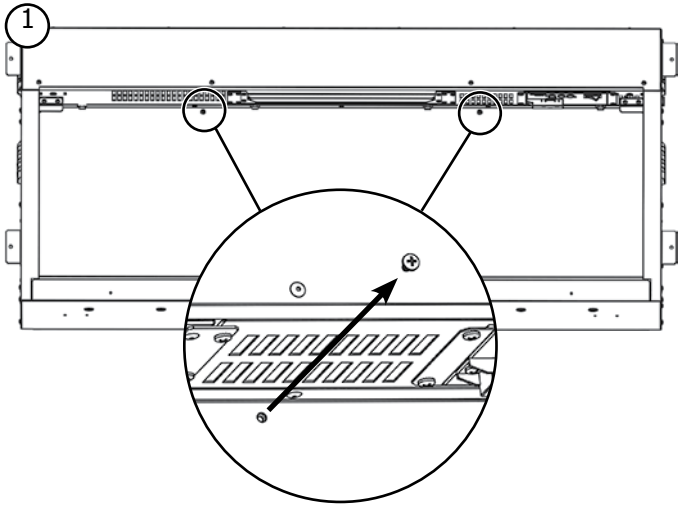




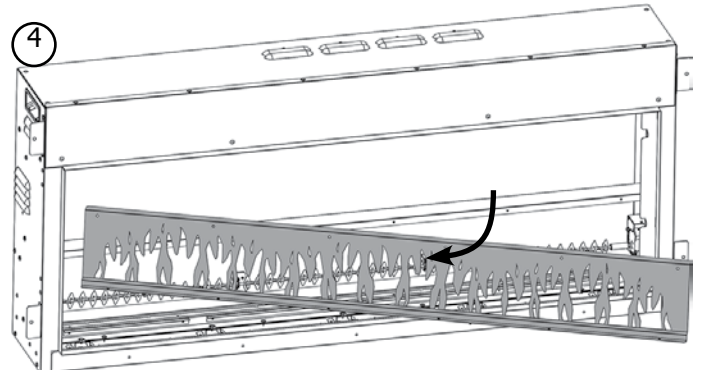
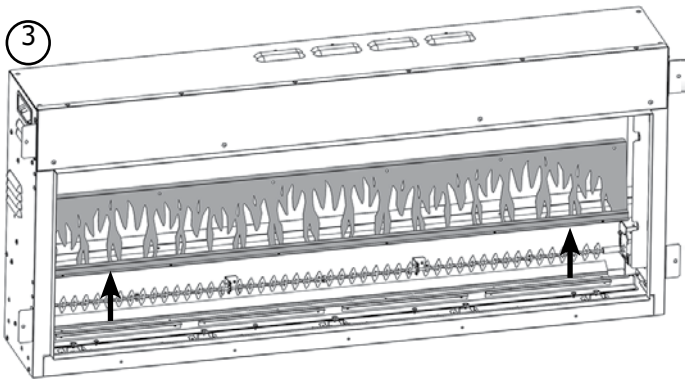
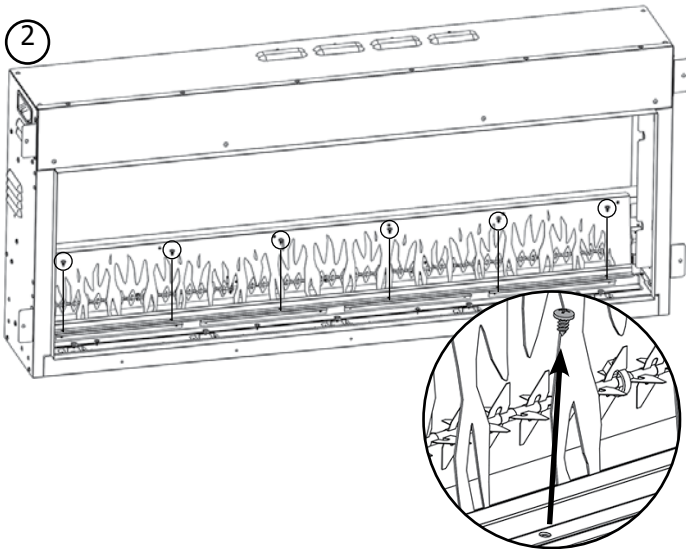
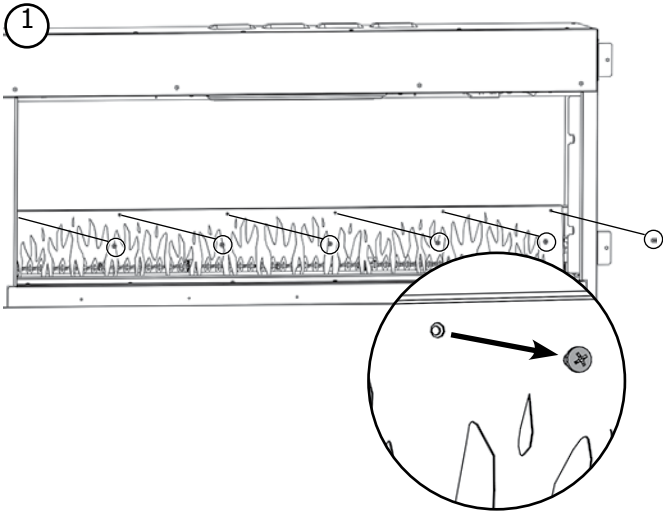
REPLACING THE FUEL BED LEDS



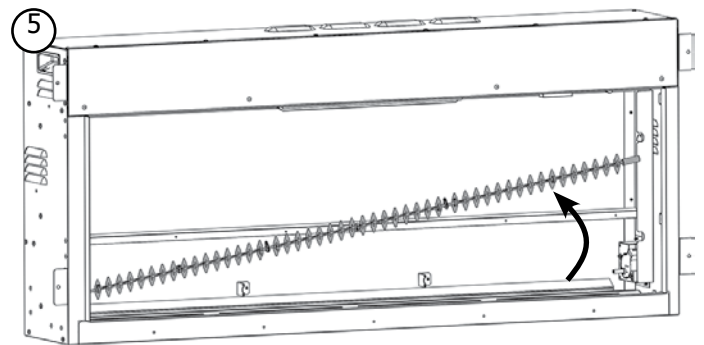
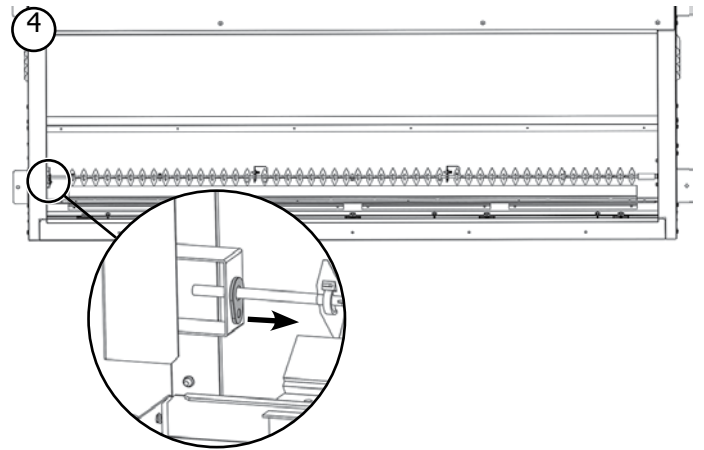
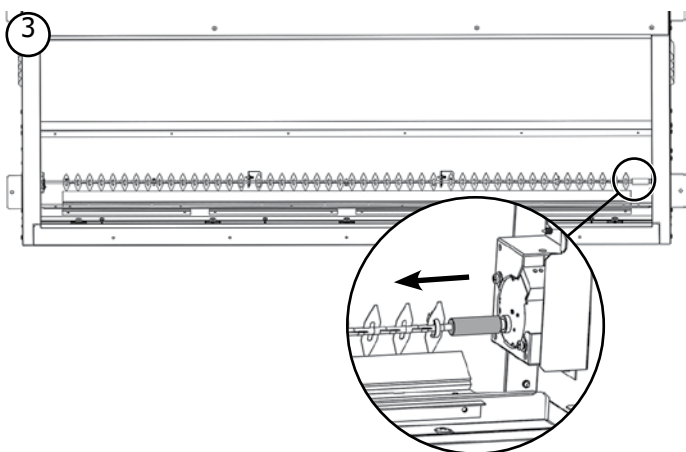
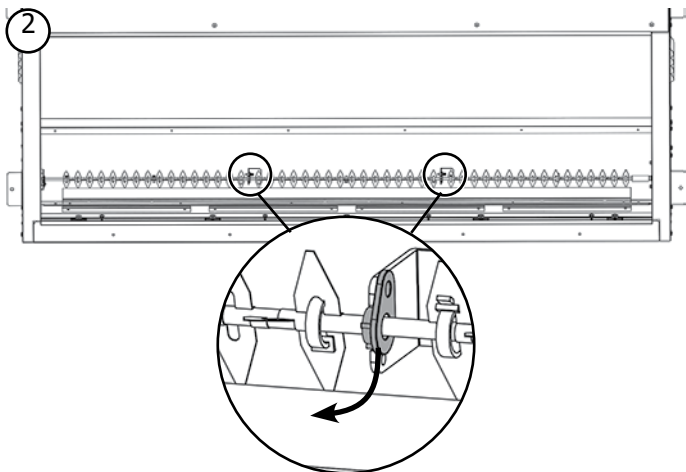
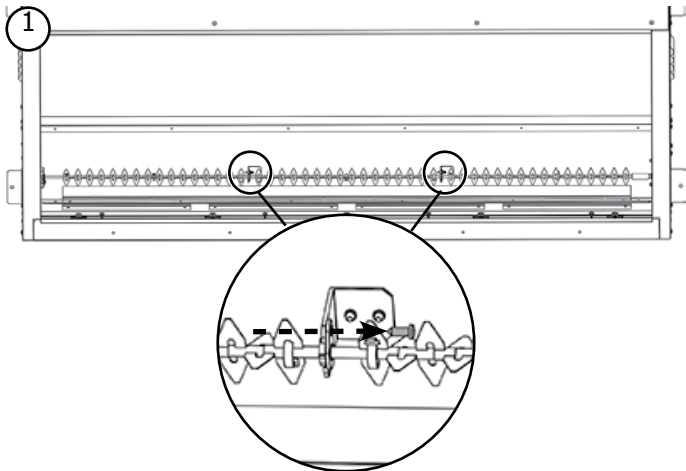
REMOVING THE INNER SCREEN



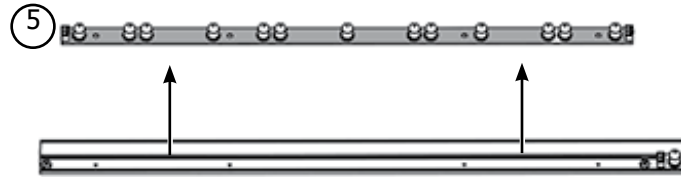
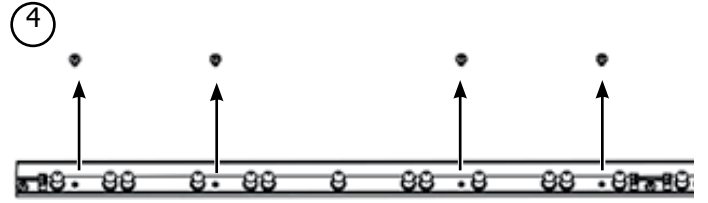
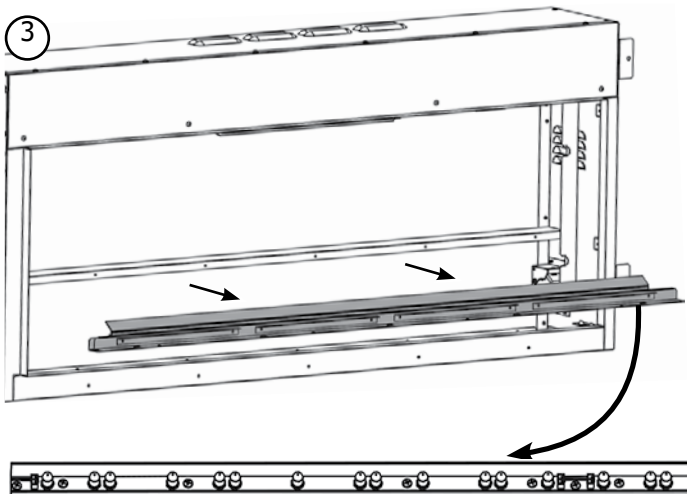
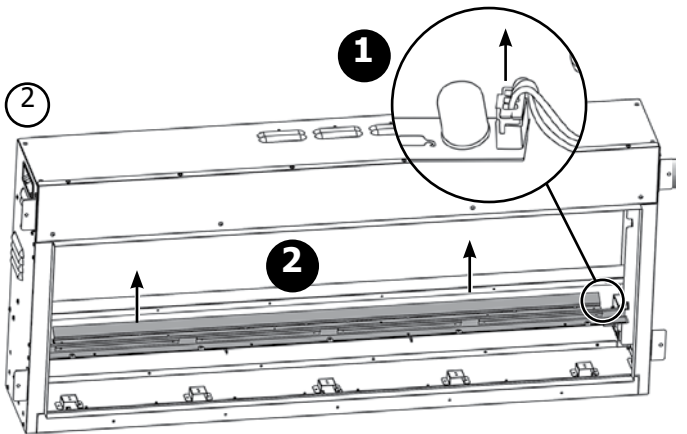
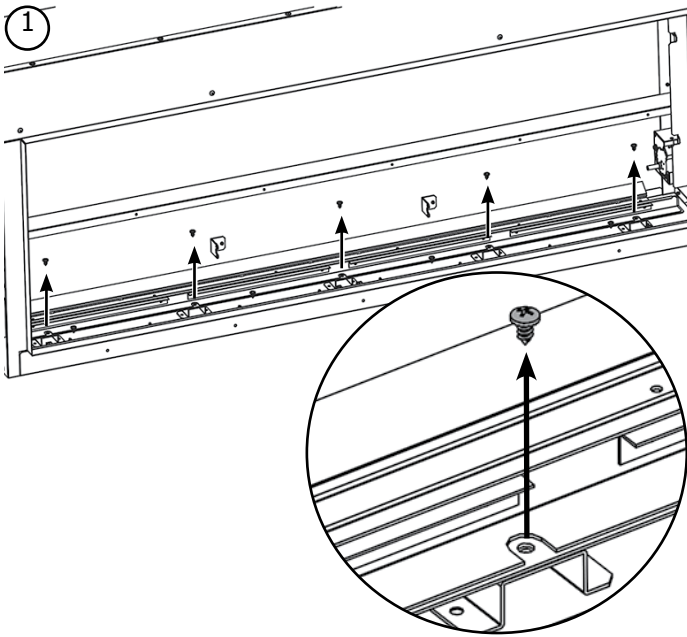
REMOVING THE FLAME EFFECT



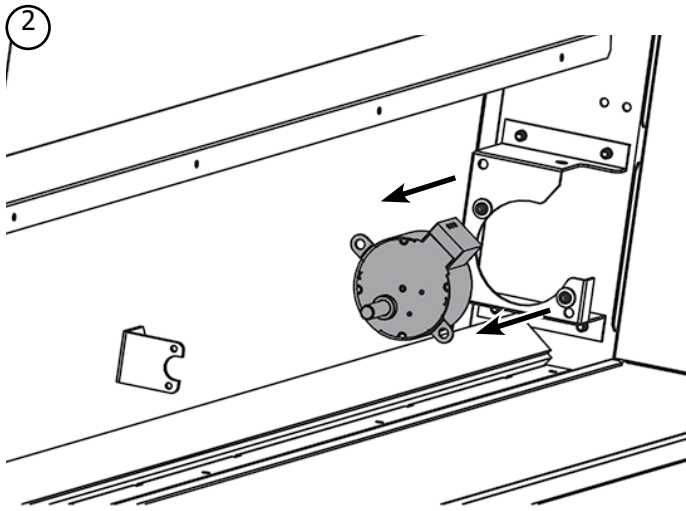
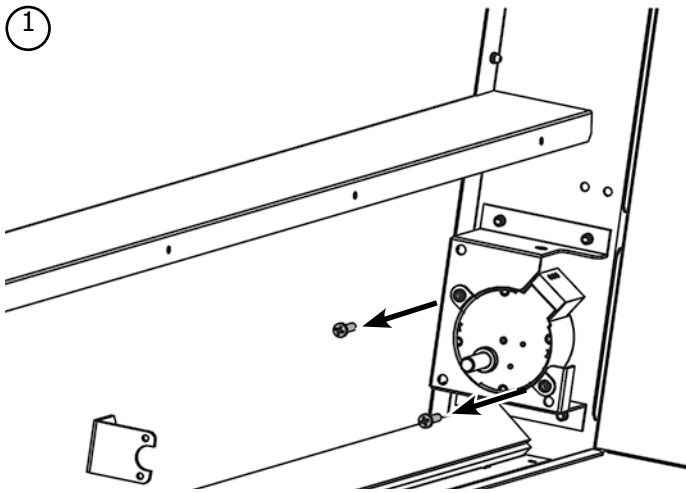
REMOVING THE EFFECT SPINDLE



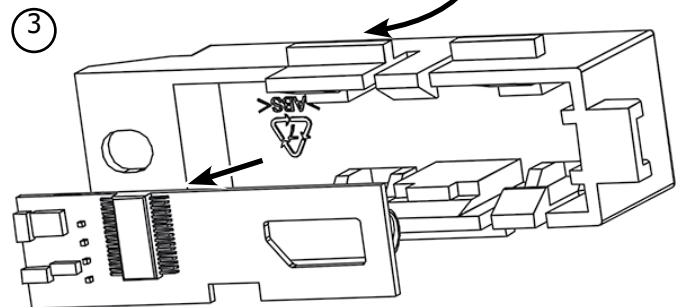
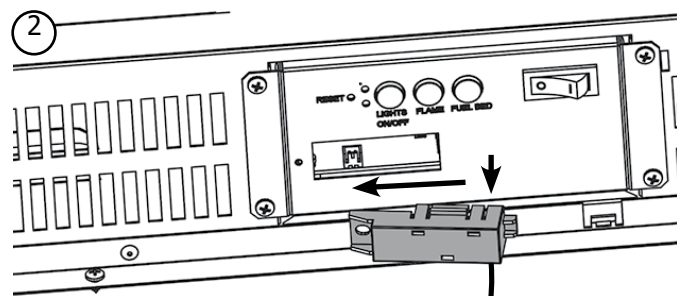
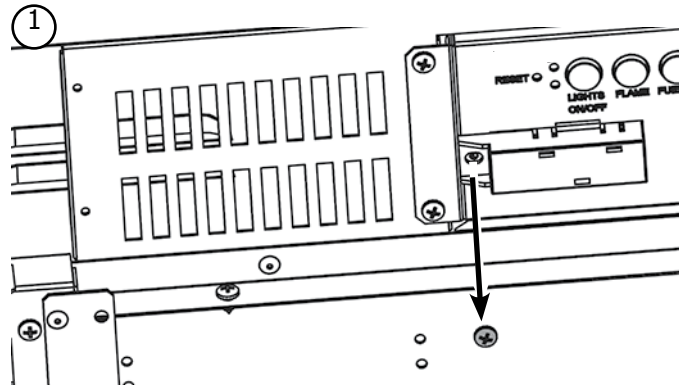
REPLACING THE FLAME EFFECT LEDS



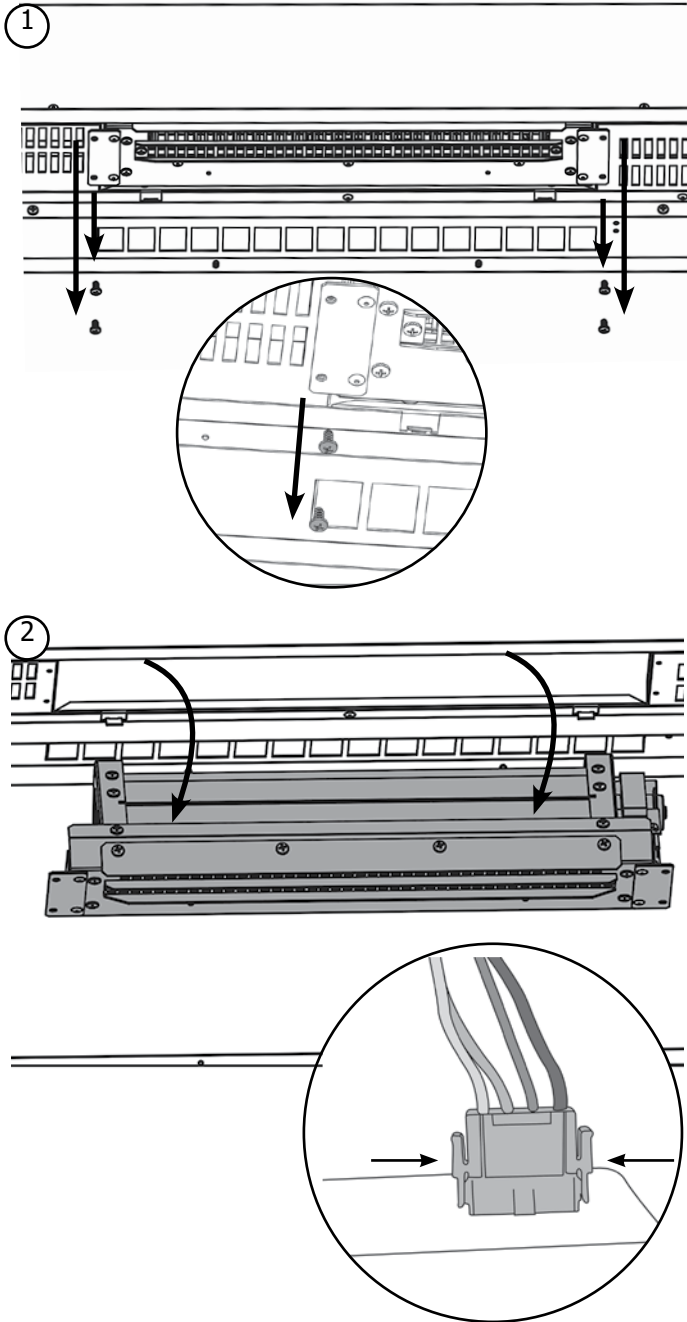
REMOVING THE FLAME EFFECT MOTOR



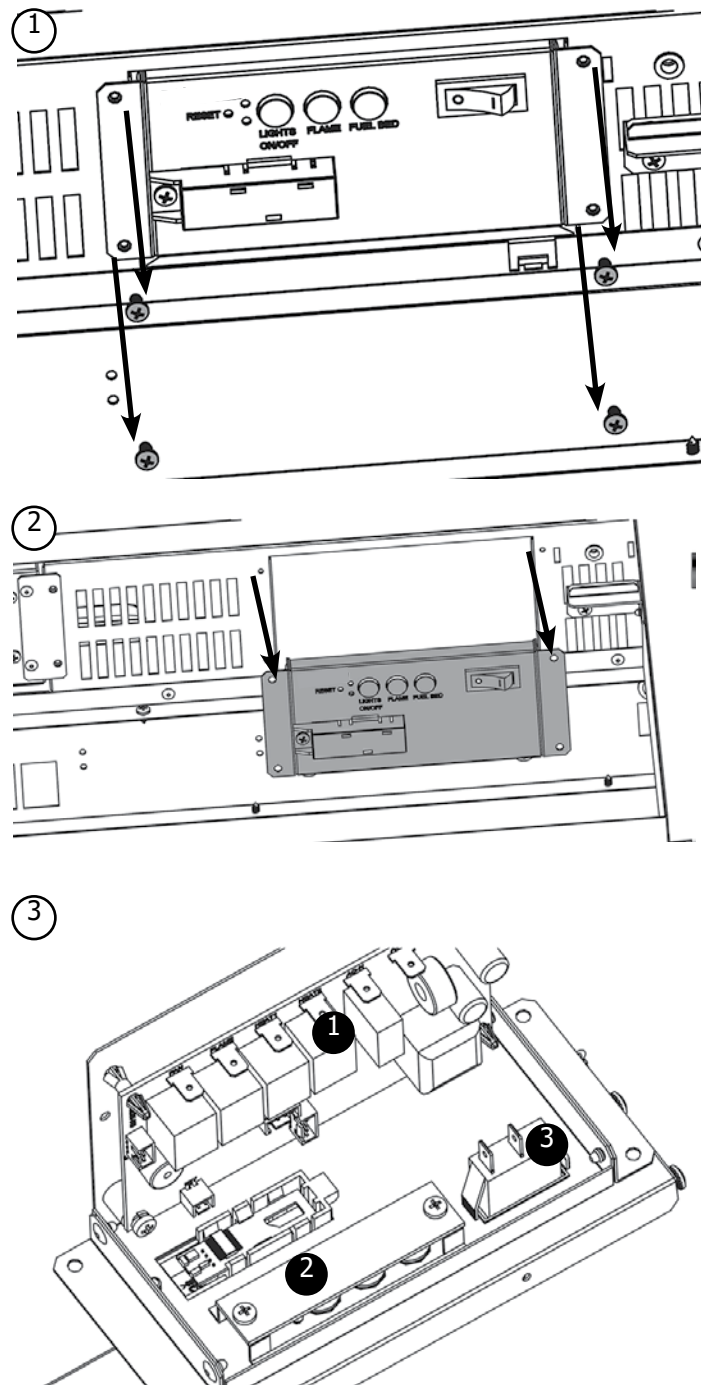
REMOVING THE RECEIVER



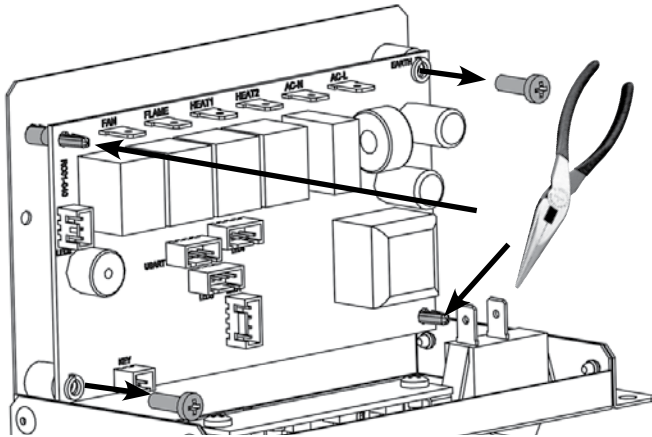
REPLACING THE HEATER



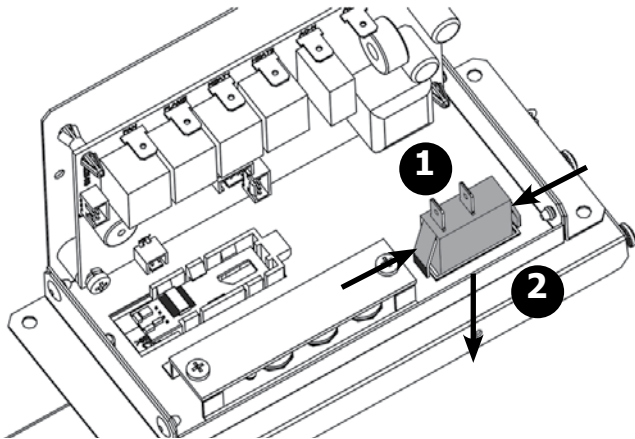
REPLACING THE CONTROL UNIT



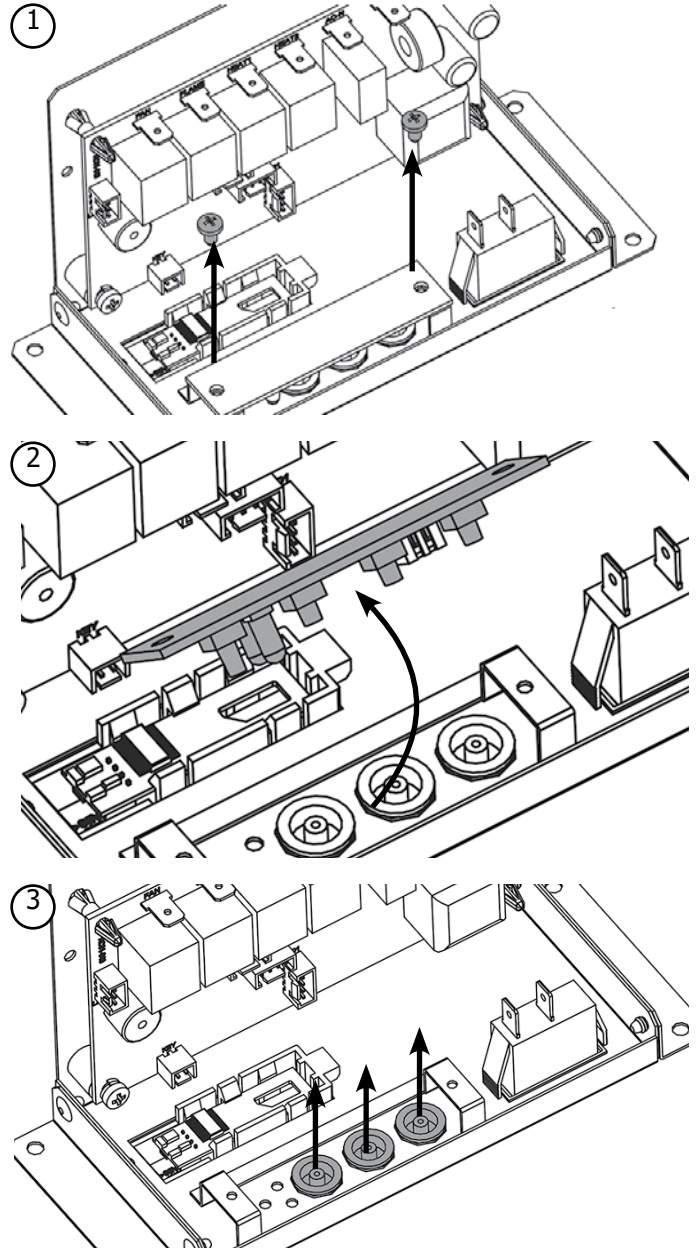
PCB



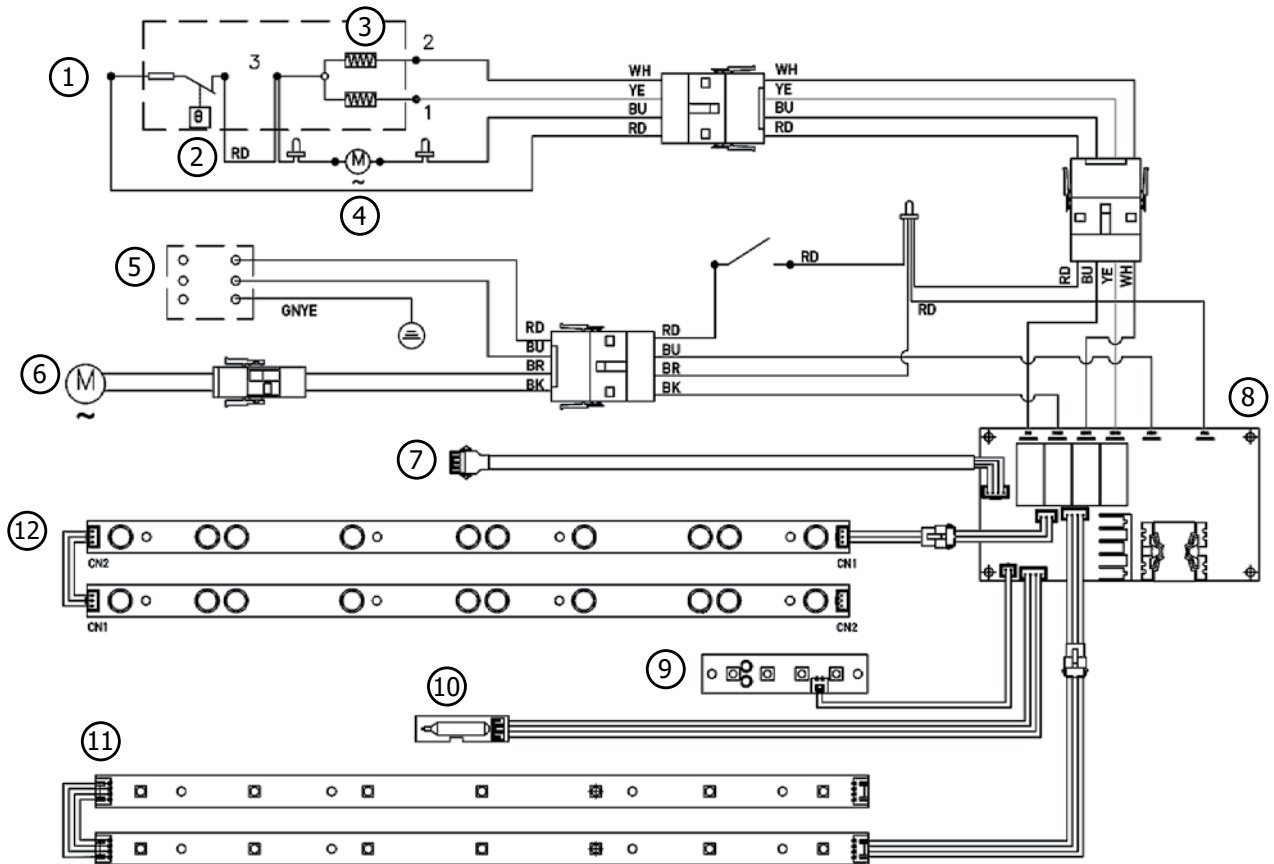
POWER SWITCH



BUTTON BOARD



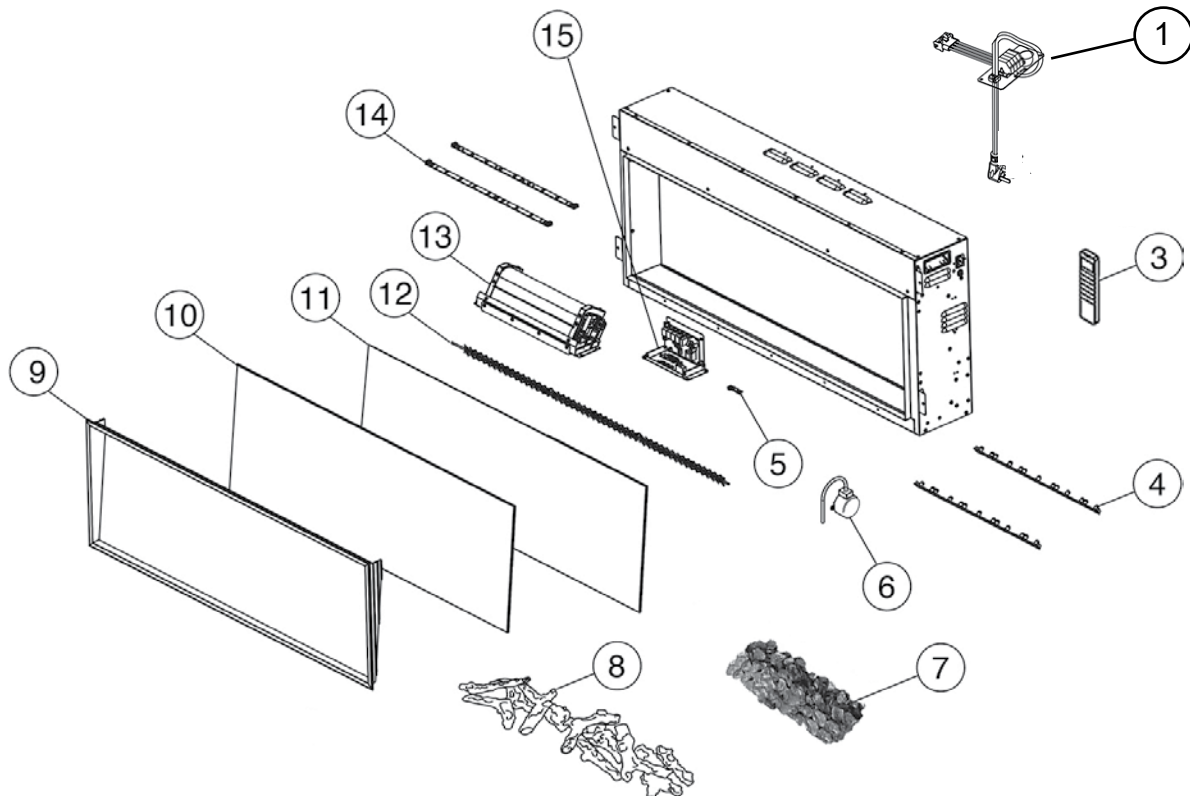
WIRING DIAGRAM



COLOUR CODES	
RD	RED
BU	BLUE
YE	YELLOW
WH	WHITE
BK	BLACK
BN	BROWN
GNYE	GREEN & YELLOW

NO.	DESCRIPTION
1	Heater Unit
2	Thermostat
3	Heater
4	Fan Motor
5	Plug Connector Incoming AC Supply: 120V 60Hz required IEC 60320 "C13"
6	Flame Effect Motor
7	Optional Led Mood Lighting
8	PCB
9	Button Board
10	Receiver Board
11	Fuel Effect LED Board
12	Flame Effect LED Board

SPARE PARTS LIST



No.	Description	Studio ES105		Studio ES135		Studio ES165	
		Item No	Quantity	Item No	Quantity	Item No	Quantity
1	North America Power Cable	EL0782	1	EL0782	1	EL0782	1
3	Remote Handset	EL1079	1	EL1079	1	EL1079	1
4	Flame Effect LED Board	EL0865	2	EL0864	2	EL0865	3
4	Flame Effect LED Board	-	-	EL0865	1	-	-
5	IR Receiver	EL0900	1	EL0900	1	EL0900	1
6	Motor with Connecting Plug	EL1078	1	EL1078	1	EL1078	1
7	Glass Ember Fuel Effect	EL0961	1 KG Set	EL0961	1 KG Set	EL1085	1
8	Log Set	EL0891	1	EL0891	1	EL0891	1
9	Edge Frame	EL0884	1	EL0885	1	EL1082	1
10	Front Glass	EL0869	1	EL0870	1	EL1086	1
11	Effects Screen	EL0872	1	EL0873	1	EL1083	1
12	Effects Spindle	EL0880	1	EL0881	1	EL1084	1
13	Heater Unit	EL1077	1	EL1077	1	EL1077	1
14	Fuel Bed LED Board	EL0867	2	EL0862	2	EL0867	3
14	Fuel Bed LED Board	-	-	EL0867	1	-	-
15	Power Unit (PCB & Manual Controls)	EL1076	1	EL1076	1	EL1076	1
N/S	Wiring Plate	GZ15691	1	GZ15691	1	GZ15691	1
N/S	Glass Clips/Screw (Set)	GZ16481	1	GZ16481	1	GZ16481	1

N/S = Not Shown

INFORMATION REQUIREMENT FOR ELECTRIC LOCAL SPACE HEATERS

Model			Studio ES105 Studio ES135 Studio ES165
HEAT OUTPUT	Nominal Heat Output	P_{nom}	1.5kW
	Minimum Heat Output	P_{min}	0.75kW
	Maximum Continuous Heat Output	$P_{max, c}$	1.5kW

AUXILIARY ELECTRICITY CONSUMPTION	At Nominal Heat Output	el_{max}	12.5W
	At Minimum Heat Output	el_{min}	12.0W
	In Standby Mode	el_{sb}	0.63W

TYPE OF HEAT INPUT, FOR ELECTRIC STORAGE LOCAL SPACE HEATERS ONLY

Manual heat charge control, with integrated thermostat	No
Manual heat charge control with room and/or outdoor temperature feedback	No
Electronic heat charge control with room and/or outdoor temperature feedback	No
Fan assisted heat output	Yes

TYPE OF HEAT OUTPUT/ROOM TEMPERATURE CONTROL

Single stage heat output and no room temperature control	No
Two or more manual stages, no room temperature control	No
With mechanic thermostat room temperature control	No
With electronic room temperature control	Yes
Electronic room temperature control plus day timer	Yes
Electronic room temperature control plus week timer	Yes

OTHER CONTROL OPTIONS

Room temperature control, with presence detection	No
Room temperature control, with open window detection	Yes
With distance control option	No
With adaptive start control	Yes
With working time limitation	No
With black bulb sensor	No

LIMITED WARRANTY

Limited Warranty

FPI Fireplace Products International Ltd. (for Canadian customers) and Fireplace Products US, Inc. (for US customers) (collectively referred to herein as “FPI”) extends this Limited Warranty to the original purchaser of this Appliance provided the product remains in the original place of installation. The items covered by this Limited Warranty and the period of such coverage are set forth in the table below.

An Appliance in this policy is defined as an Electric Fireplace, Electric Insert.

This Appliance has only been certified and listed for use indoors.

Some conditions apply (see below).

This Limited Warranty starts on the day the Appliance was purchased.

The Limited Warranty is not transferable, amendable or negotiable under any circumstances.

Indoor Electric Products	Component Coverage	Subsidized Labor Coverage*
	1 year	1 year
Glass Panel	✓	✓
Display Screen Flame Effect Screen	✓	✓
Power Unit	✓	✓
Heater Unit	✓	✓
LED Mood Lighting	✓	✓
Fuel Bed	✓	✓
Flame Effect Spindle Flame Effect LED Board	✓	✓
Fuel Effect Spindle Fuel Effect LED Board	✓	✓
Spindle Motor	✓	✓
Power Cable / Plug Kit	✓	✓
Remote Handset	✓	✓
Media (Pebbles, ember set, crushed glass, ice set logs, driftwood, birch, oak log sets, crystals)	✓	✓
Firebox (defect in manufacture)	✓	✓

Note: Warranty coverage noted above may not be applicable as components/options vary based on appliance purchased.

Conditions:

Warranty protects against defect in manufacture or FPI factory-assembled components only, unless herein specified otherwise.

***This warranty does not cover dealer travel costs, mileage, fuel, tolls for diagnostic or service work. All labor rates paid to authorized dealers are subsidized, pre-determined rates. Dealers may charge you for travel and additional time beyond their subsidy.**

Any part(s) found to be defective during the warranty period as outlined above will be repaired or replaced at FPI’s option through an accredited distributor, dealer or pre-approved and assigned agent provided that the defective part is returned to the distributor, dealer or agent for inspection if requested by FPI. Alternatively, FPI may, at its own discretion, fully discharge all of its obligations under warranty by refunding the verified purchase price of the product to the original purchaser. The purchase price must be confirmed by the original Bill of Sale.

IMPORTANT: A 15 amp, 60Hz 120 Volt circuit is required for installation of this Appliance. A dedicated circuit is not required, but is highly recommended to prevent circuit breaker from tripping or fuse failure. Failure to provide adequate power to this Appliance will void your warranty.

NOTE: If hard wiring to the Appliance, this must be completed by a qualified electrician. Failure to do so will void your warranty.

The authorized selling dealer, or an alternative authorized FPI dealer if pre-approved by FPI, is responsible for all in-field diagnosis and service work related to all warranty claims. FPI is not responsible for results or costs of workmanship of unauthorized FPI dealers or agents in the negligence of their service work.

At all times, FPI reserves the right to inspect reported in the field/on location complaints of products claimed to be defective before processing or authorizing any claim. Failure to allow this upon request will void the warranty.

All warranty claims must be submitted by the dealer servicing the claim, including a copy of the Bill of Sale (proof of purchase by you). All claims must be complete and provide full details as requested by FPI to receive consideration for evaluation. **Incomplete claims may be rejected.**

Replacement Appliances to the original purchaser are limited to one per warranty term.

The Appliance must be installed according to all manufacturers' instructions as per the manual.

All Local and National required codes must be met.

The installer is responsible for ensuring the Appliance is operating as designed at the time of installation.

The original purchaser is responsible for the annual maintenance of the Appliance, as outlined in the owner's manual. As outlined below, the warranty may be voided due to problems caused by a lack of maintenance.

Purchased parts: Repair/replacement parts purchased by the consumer from FPI after the original coverage has expired on the Appliance will carry a **90-day** warranty from the purchase date, valid with a receipt only. Any item shown to be defective will be repaired or replaced at our discretion. No labor coverage is included with these parts.

If freight damage has been found either externally or internally, the dealer must be informed within 3 days. All claims as a result of damage must be submitted by the dealer servicing the claim, including a copy of the Bill of Sale (proof of purchase). All claims must be complete and provide full details as requested by FPI to receive consideration for evaluation. **Incomplete claims may be rejected.**

As this is a **1-year** Limited Warranty, if the Appliance needs to be replaced, the Appliance that was purchased at the time of sale might not be replaced with exactly the same model Appliance. In that case, FPI will replace your Appliance with one that is similar at the time of replacement under the terms of this Limited Lifetime Warranty, but **ONLY** in the event that an item covered by the Limited Lifetime Warranty is found to be defective. Please refer to the table on first page of this warranty for items covered by the Limited Lifetime Warranty. Product changes might be the result of the original Appliance being discontinued, changes in regulatory requirements, product advancements, etc., which are beyond the control of FPI. **This Limited Lifetime Warranty does not cover any installation costs, or costs associated with changes of required clearances for the replacement Appliance, hearth pads, mantles, facing and/or facing materials such as framing, completed walls made of drywall, wood, non-combustible board, tile, brick, stone, marble etc., venting/chimney systems, or components of the chimney system.**

If a suitable replacement is not available, FPI will refund **50%** of the purchase price of the Appliance and any applicable FPI accessories (faceplates, brick panels, media, etc.) purchased at the time of sale. **In no event will FPI refund any portion of the purchase price of, or reimburse costs associated with, any other items, including without limitation, installation of a new unit, changes of required clearances for a new unit, hearth pads, mantles, facing and/or facing materials such as framing, completed walls made of drywall, wood, non-combustible board, tile, brick, stone, marble etc., venting/chimney systems, or components of the chimney system. A copy of the receipt or bill of sale will be necessary to validate the purchase price.**

Exclusions:

This Limited Warranty does not extend to paint, rust or corrosion of any kind due to a lack of maintenance, combustion air provision, corrosive chemicals (i.e. chlorine, salt, air, etc.), batteries.

Malfunction, damage or performance-based issues as a result of environmental conditions, location, chemical damages, installation error, an installation by an unqualified installer, operator error, abuse, misuse, lack of regular maintenance and upkeep, acts of God, weather related problems from hurricanes, tornados, earthquakes, floods, lightning strikes/bolts or acts

Warranty Registration Card



Product Registration and Customer Support:

Thank you for choosing a Regency Fireplace. Regency strives to be a world leader in the design, manufacture, and marketing of hearth products. To provide the best support for your product, we request that you complete a product registration form found on our Web Site under Customer Care within ninety (90) days of purchase.

For purchases made in **CANADA or the UNITED STATES:**

<http://www.regency-fire.com/Customer-Care/Warranty-Registration.aspx>

For purchases made in **AUSTRALIA:**

<http://www.regency-fire.com.au/Customer-Care/Warranty-Registration.aspx>

You may also complete the warranty registration form below to register your Regency Fireplace Product and mail and/or fax it back to us, and we will register the warranty for you. It is important you provide us with all the information below in order for us to serve you better.

Warranty Registration Form (or Register online immediately at the above Web Site):

Warranty Details	
Serial Number (required):	
Purchase Date (required) (mm/dd/yyyy):	
Product Details	
Product Model (required):	
Dealer Details	
Dealer Name (required):	
Dealer Address:	
Dealer Phone #:	
Installer:	
Date Installed (mm/dd/yyyy):	
Your Contact Details (required)	
Name:	
Address:	
Phone:	
Email:	

For purchases made in **CANADA:**

FPI Fireplace Products International Ltd.
6988 Venture St.
Delta, British Columbia
Canada, V4G 1H4

Phone: 604-946-5155
Fax: 1-866-393-2806

For purchases made in **the UNITED STATES:**

Fireplace Products US, Inc.
PO Box 2189 PMB 125
Blaine, WA
United States, 98231

Phone: 604-946-5155
Fax: 1-866-393-2806

For purchases made in **AUSTRALIA:**

Fireplace Products Australia Pty Ltd
99 Colemans Road
Dandenong South, Vic.
Australia, 3175

Phone: +61 3 9799 7277
Fax: +61 3 9799 7822

For fireplace care and tips and answers to most common questions please visit our Customer Care section on our Web Site. Please feel free to contact your selling dealer if you have any questions about your Regency product.

Installer: Please complete the following information

Dealer Name & Address: _____

Installer: _____

Phone #: _____

Date Installed: _____

Serial #: _____

