

Grandview® G1200P Gas Fireplace

Owners & Installation Manual

MODEL: G1200P
Large DV Gas Fireplace



www.regency-fire.com

⚠ Warning
Fire or Explosion Hazard
Failure to follow safety warnings exactly could result in serious injury, death, or property damage.

Do not store or use gasoline or other flammable vapors and liquids in the vicinity of this or any other appliance.

WHAT TO DO IF YOU SMELL GAS

- Do not try to light any appliance.
- Do not touch any electrical switch: do not use any phone in your building.
Leave the building immediately.
- Immediately call your gas supplier from a neighbour's phone. Follow the gas supplier's instructions.
- If you cannot reach your gas supplier, call the fire department.

Installation and service must be performed by a qualified installer, service agency or the gas supplier.

Tested by:



Certified to/Certifié pour: CSA 2.17-2017
CSA/ANSI Z21.88-2019
CSA 2.33-2019

Installer: Please complete the details on the back cover and leave this manual with the homeowner.

Homeowner: Please keep these instructions for future reference.

To the New Owner:

Congratulations!

You are the owner of a state-of-the-art Gas Fireplace by REGENCY®. The Grandview™ G1200P has been designed to provide you with all the warmth and charm of a wood fireplace at the flick of a switch. The Grandview™ G1200P has been approved by Intertek for both safety and efficiency. As it also bears our own mark, it promises to provide you with economy, comfort and security for many trouble free years to follow. Please take a moment now to acquaint yourself with these instructions and the many features of your Regency® Fireplace.



DANGER



**HOT GLASS WILL
CAUSE BURNS**

**DO NOT TOUCH GLASS
UNTIL COOLED**

**NEVER ALLOW CHILDREN
TO TOUCH GLASS**

A barrier designed to reduce the risk of burns from the hot viewing glass is provided with this appliance and must be installed for the protection of children and other at risk individuals.

CAUTION:
HOT WHILE IN OPERATION. DO NOT TOUCH.
SEVERE BURNS MAY RESULT. KEEP CHILDREN, CLOTHING, FURNITURE,
GASOLINE, AND ANY OTHER LIQUIDS WITH FLAMMABLE VAPOURS AWAY.

**KEEP BURNER AND CONTROL COMPARTMENT CLEAN.
SEE INSTALLATION AND OPERATING INSTRUCTIONS ACCOMPANYING
APPLIANCE.**

920-408

MANUFACTURED MOBILE HOME REQUIREMENTS

INFORMATION FOR MOBILE/MANUFACTURED HOMES AFTER FIRST SALE

This Regency® product has been tested and listed by Intertek as a Direct Vent Wall Furnace to the following standards: to Vented Gas Fireplace Heaters ANSI Z21.88 • CSA 2.33 and Gas-fired Appliances for Use at High Altitudes CSA 2.17-2017.

This Direct Vent System Appliance must be installed in accordance with the manufacturer's installation instructions and the Manufactured Home Construction and Safety Standard, Title 24 CFR, Part 3280, or the current Standard of Fire Safety Criteria for Manufactured Home Installations, Sites, and Communities ANSI/NFPA 501A, and with CAN/CSA Z240-MH Mobile Home Standard in Canada.

This appliance installation must comply with the manufacturer's installation instructions and local codes, if any. In the absence of local codes follow the current National Fuel Gas Code, ANSI Z223.1 and the current National Electrical Code ANSI/NFPA 70 in the U.S.A., and the current CSA B149.1 Gas Installation Code and the current Canadian Electrical Code CSA C22.1 in Canada.

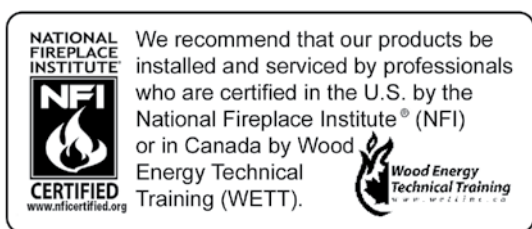
This appliance comes equipped with a dedicated #8 Ground Lug for attachment of the ground wire to the steel chassis as applicable to local codes.

The appliance, when installed, must be electrically grounded in accordance with local codes or, in the absence of local codes, with the National Electrical Code, ANSI/NFPA 70, or the Canadian Electrical Code, CSA C22.1.

This appliance may only be installed in an aftermarket permanently located, manufactured (U.S.A only) or mobile home, where not prohibited by local codes.

This appliance can only be used with the type of gas indicated on the rating plate. This appliance is not convertible for use with other gases.

Ensure that structural members are not cut or weakened during installation.



This appliance may be installed in an aftermarket permanently located, manufactured (U.S.A. only) or mobile home, where not prohibited by local codes.

This appliance is only for use with the type of gas indicated on the rating plate. A conversion kit is supplied with the appliance.



WARNING

CARBON MONOXIDE POISONING HAZARD

Failure to follow the steps outlined below for each appliance connected to the venting system being placed into operation could result in carbon monoxide poisoning or death. The following steps shall be followed for each appliance connected to the venting system being placed into operation, while all other appliances connected to the venting system are not in operation:

1. Seal any unused openings in the venting system.
2. Inspect the venting system for proper size and horizontal pitch, as required in the *National Fuel Gas Code*, ANSI Z223.1/NFPA 54 or the *Natural Gas and Propane Installation Code*, CSA B149.1 and these instructions. Determine that there is no blockage or restriction, leakage, corrosion and other deficiencies which could cause an unsafe condition.
3. As far as practical, close all building doors and windows and all doors between the space in which the appliance(s) connected to the venting system are located and other spaces of the building.
4. Close fireplace dampers.
5. Turn on clothes dryers and any appliance not connected to the venting system. Turn on any exhaust fans, such as range hoods and bathroom exhausts, so they are operating at maximum speed. Do not operate a summer exhaust fan.
6. Follow the lighting instructions. Place the appliance being inspected into operation. Adjust the thermostat so appliance is operating continuously.
7. Test for spillage from draft hood equipped appliances at the draft hood relief opening after 5 minutes of main burner operation. Use the flame of a match or candle.
8. If improper venting is observed during any of the above tests, the venting system must be corrected in accordance with *National Fuel Gas Code*, ANSI Z223.1/NFPA and/or *Natural Gas and Propane Installation Code*, CSA B149.1.
9. After it has been determined that each appliance connected to the venting system properly vents when tested as outlined above, return doors, windows, exhaust fans, fireplace damper and any other gas-fired burning appliance to the previous conditions of use.

Other considerations:

Non-metallic venting systems shall not interchange components with another listed or unlisted metallic venting system.

Copy of Safety Decal	6
Decal Location	6
Unit Dimensions	8

Owner's Information

Gas Installation Checklist	9
Before You Start.....	11
Lighting Procedure	12
Shutdown Procedure	12
Copy of Lighting Plate Instructions	13
Proflame II Remote Control Operating Instructions	14
Proflame II Battery Holder Battery Replacement & Battery Pack up if 120 Volt Power is lost.....	18
Safety Screen Removal	19
Safety Screen Installation	19
Magnetic Cover Removal.....	19
Glass Door Removal	20
Glass Door Installation.....	20

Installer's Information

Important Message	21
General Safety Information	21
Installation Checklist.....	22
Locating Your Gas Fireplace	22
Leveling Legs	22

Installation

Clearance/Framing and Chase Vent Configurations.....	23
Cool Wall Installation (Combustible Finishing).....	24
Non Cool Wall Installation (Non Combustible Finishing).....	24
Unit Assembly Prior to Installation (Nailing Flange Installation)	
- Cool Wall/Non Cool Wall	25
Cool Wall Nailing Flange Installation	25
Non Cool Wall Nailing Flange Installation	26
Cool Wall Clearances	27
Cool Wall Mantel Clearances.....	28
Cool Wall Mantel Leg Clearances	29
Cool Wall Installation (Cool Wall) - Combustible Materials.....	29
Cool Wall Installation 2 x 4 or 2 x 6 - Framing	30
Cool Wall TV Recess	31
Cool Wall Installation - Cool Wall Conversion	32
Chase Venting (Cool Wall).....	33
Chase Enclosure (Cool Wall).....	34
Chase Vent Installation—Cool Wall (Part # 796 -991 Chase Vent White)	35
Non Cool Wall - Clearances	36
Non Cool Wall - Mantel Clearances.....	37
Non Cool Wall - Mantel Leg Clearances	38
Non Cool Wall - Non-Combustible Requirements	38
Framing (Non Cool Wall).....	39
Hearth Installation (Cool Wall/Non Cool Wall)	40
Finishing Material Installation - Cool Wall/Non Cool Wall.....	41
Nailing Flange Instructions.....	41
Wall Board/Drywall/Non Combustible Board Installation G1200P (Cool Wall/Non Cool Wall).....	42
Vent Restrictor Installation	43
Venting Introduction.....	43
Cool Wall - Non Cool Wall Vent Pipe Clearances - Outside/Inside of Chase Enclosure.....	44
Exterior Vent Termination Requirements.....	45
5" x 8" Rigid Pipe - Cross Reference Chart only	46
Rigid Pipe Venting Systems-Basic Horizontal & Vertical Terminations	
Horizontal Terminations - Flex Vent 5" x 8"	49
Horizontal Terminations - Rigid Pipe 5" x 8"	50
Venting Introduction Horizontal Terminations	51
Venting Arrangements for Horizontal Terminations (Rigid and Flex) for Both Natural Gas/Propane.....	51
Horizontal Terminations - Two 90° Elbows (Rigid/Flex Pipe 5" x 8") .	52
Horizontal Terminations - Three 90° Elbows (Rigid Pipe 5" x 8").....	52
Unit Installation with Horizontal Termination- 5" x 8" Venting (Rigid Vent Systems)	53

Unit Installation with Horizontal Termination-5" x 8" Venting (Flex Vent Systems).....	54
AstroCap XL Dimensions (946-623/P)	54
Venting Introduction Vertical Terminations	55
Venting Arrangements for Vertical Terminations - 5" x 8" (127 mm x 203 mm) Rigid and Flex Pipe (Natural Gas)	55
Venting Arrangements for Vertical Terminations - 5" x 8" (127 mm x 203 mm) Rigid and Flex Pipe (Propane)	56
Vertical Terminations - Three 90° Elbows (Rigid/Flex Pipe 5" x 8")...	57
Unit Installation with Vertical Termination - 5" x 8" Venting (Rigid Vent Systems)	58
Gas Line Installation	58
Vertical Terminations - Vertical Flex Vent Kit (Part #946-772)	59
Vertical Flex Extension Kit (Part # 946-769)	61
LP Conversion using SIT 885 PROFLAME Gas Valve.....	62
Brick Panel Installation	64
Log Set Installation	66
3-Sided Finishing Trim Installation (Part # 796-912)	72
4-Sided Finishing Trim Installation (Part # 796-913)	73
Pilot Adjustment.....	74
High Elevation.....	74
885 S.I.T. Valve Description.....	74
NG System Data.....	74
LP System Data.....	74
Gas Pipe Pressure Testing	74
Wall Mount On/Off Switch and Battery Holder Installation	75
Proflame Wall Mount Transmitter	76
Aeration Adjustment.....	77
Electrical Access and Installation	77
Wiring Diagram.....	78
Installing the Optional Fan Prior to Unit Installation Into Framing (Recommended - Part # 796-917).....	79
Fan Install After Unit Installation	80
WiFi Dongle Installation	81

Operating Instructions

Operating Instructions	82
First Fire.....	82
Normal Operating Sounds of Gas Appliances	82
Proflame II Battery Holder Battery Replacement & Battery Pack up if 120 Volt Power is lost	83
Copy of Lighting Plate Instructions	84

Maintenance

Maintenance Instructions	85
General Vent Maintenance	85
Log Replacement	85
Glass Gasket.....	85
Door Glass.....	85
Glass Replacement	85
Light Bulb Replacement - Bottom Lights.....	86
Light Bulb Replacement -Top Light.....	86
Valve Replacement	87
IFC Replacement.....	88
Split flow valve replacement.....	89
Gas Maintenance - Recommended Annual Routine.....	90

Parts List

Main Assembly	91
Optional Accessories.....	93

Warranty94


safety decal

This is a copy of the label that accompanies each Grandview™ G1200P Direct Vent Gas Fireplace. We have printed a copy of the contents here for your review. **NOTE:** Regency® units are constantly being improved. Check the label on the unit and if there is a difference, the label on the unit is the correct one.

NOTE: This fireplace is rated for both commercial & residential use.

Copy of Safety Decal

Duplicate S/N 607



Listed/Nom: Vented Gas Fireplace Heater / Foyer au Gaz à Évacuation
Certified to/Certifié pour: CSA/ANSI Z21.88-2019 • CSA-2.33-2019
 CSA 2.17-2017

MAY BE INSTALLED IN MANUFACTURED (MOBILE) HOMES AFTER FIRST SALE.
 Refer to Intertek's Directory of Building Products for detailed information.
 Pour plus de détails, se reporter au Répertoire des produits de construction de Intertek.

DO NOT REMOVE THIS LABEL / NE PAS ENLEVER CETTE ÉTIQUETTE
 Serial No./ No de série

607

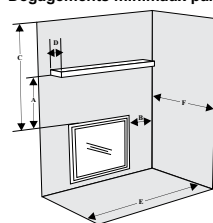
NATURAL GAS: Model G1200P-NG

Minimum supply pressure	5.0" WC/C.E. (1.25 kPa)	Pression d'alimentation minimale
Manifold pressure high	3.5" WC/C.E. (0.87 kPa)	Pression manifold - haute
Manifold pressure low	1.6" WC/C.E. (0.39 kPa)	Pression manifold - basse
Orifice size	Left #46 Middle #45 Right #45 DMS	Taille de l'orifice
Minimum input	13,500 Btu/h (3.96 kW)	Débit calorifique minimal
Maximum input	53,000 Btu/h (15.53 kW)	Débit calorifique maximal
Altitude	0-4500 ft/pi (0-1372 m)	Altitude

PROPANE GAS: Model G1200P-LP

Minimum supply pressure	11" WC/C.E. (2.74 kPa)	Pression d'alimentation minimale
Manifold pressure high	10" WC/C.E. (2.49 kPa)	Pression manifold - haute
Manifold pressure low	6.4" WC/C.E. (1.60 kPa)	Pression manifold - basse
Orifice size	Left #56 Middle #56 Right #55 DMS	Taille de l'orifice
Minimum input	13,500 Btu/h (3.96 kW)	Débit calorifique minimal
Maximum input	53,000 Btu/h (15.53 kW)	Débit calorifique maximal
Altitude	0-4500 ft/pi (0-1372 m)	Altitude

Minimum Clearances to Combustibles / Non-Cool Wall—Clean Finish
 Dégagements minimaux par rapport aux matériaux combustibles



Mantel Clearances from Fireplace Opening /
 (A) 34" (864 mm) at max. depth
Side Wall Clearance from Fireplace Opening /
 (B) Min. 18" (457 mm)(on one side)
Ceiling from Top of Fireplace Opening:
 (C) Min. 53" (1346 mm)
Mantel Depth:
 (D) Max. 12" (305 mm)
Alcove Clearances:
 (E) Min. Width 84" (2134 mm),
 (F) Max. Depth 36" (914 mm)
Minimum Vent Clearances:
 (When Outside of the Chase Enclosure)
 Horizontal Top 2" (51 mm)
 Horizontal Side 1-1/2" (38 mm)
 Horizontal Bottom 1-1/2" (38 mm)
 Vertical Vent 1-1/2" (38 mm)

DOOR SEAL: Please check that the door is properly sealed
 (See Instruction Manual for detailed instructions)

Note: For vent clearances inside of chase enclosure, see manual for detailed instructions.


This appliance must be installed in accordance with local codes, if any; if none, follow the National Fuel Gas Code, ANSI Z223.1, or Natural Gas and Propane Installation Code, CSA B149.1. This appliance must be installed in accordance with the Standard CAN/CSA Z240 MH, Mobile Housing, in Canada, or with the Manufactured Home Construction and Safety Standard, Title 24 CFR, Part 3280, in the United States, or when such a standard is not applicable, ANSI/NCSSBCS A225.1/NFPA 501A, Manufactured Home Installations Standard or ANSI A119.2 ou NFPA 501C Standard for Recreational Vehicles. This appliance is only for use with the type of gas indicated on the rating plate and may be installed in an aftermarket, permanently located, manufactured (mobile) home where not prohibited by local codes. See owner's manual for details. This appliance is not convertible for use with other gases, unless a certified kit is used. (Kit #796-917).
 Installer l'appareil selon les codes ou règlements locaux, ou, en l'absence de tels règlements, selon les codes d'installation ANSI Z223.1, National Fuel Gas Code ou CSA-B149.1 en vigueur. Installer l'appareil selon la norme CAN/CSA-Z240, Série MM, Maison mobiles ou CAN/CSA-Z240 VC, Véhicules de camping, ou la norme 24 CFR Part 3280, Manufactured Home Construction and Safety Standard. Si ces normes ne sont pas pertinentes, utilisez la norme ANSI/NCSSBCS A225.1/NFPA 501A, Manufactured Home Installations Standard, ou ANSI A119.2 ou NFPA 501C Standard for Recreational Vehicles. Cet appareil doit être utilisé uniquement avec le type de gaz indiqué sur la plaque signalétique. Cet appareil peut être installé dans une maison préfabriquée ou mobile (É.-U. seulement) installée à demeure si les règlements locaux le permettent. Voir la notice de l'utilisateur pour plus de renseignements. Cet appareil ne peut pas être utilisé avec d'autres gaz sauf si une trousse de conversion certifiée est fournie. (Kit n° 796-917).

This vented gas fireplace heater is not for use with air filters.
FOR USE WITH GLASS DOORS CERTIFIED WITH THE APPLIANCE ONLY
For Use Only with Barrier (Part #796-532/P)
 Electrical supply/Alimentation électrique 115VAC, 1.5A, 60Hz.

Ne pas utiliser de filtre à air avec ce foyer au gaz à évacuation.
POUR UTILISATION UNIQUEMENT AVEC LES PORTES EN VERRE CERTIFIÉES AVEC L'APPAREIL
Utiliser uniquement avec l'écran (Pièce n° 796-532/P)
CATEGORY I / CATÉGORIE I

FPI Fireplace Products International Ltd.
 Delta, BC, Canada
 Made in Canada/ Fabriqué au Canada

VENTED GAS FIREPLACE HEATER - NOT FOR USE WITH SOLID FUELS. CATEGORY I.
FOYER AU GAZ À ÉVACUATION - NE PAS UTILISER AVEC UN COMBUSTIBLE SOLIDE. CATÉGORIE I.



CANADIAN ENERGY PERFORMANCE VERIFIED
 RENDÉMENT ÉNERGÉTIQUE VÉRIFIÉ

CSA P.4.1 Fireplace Efficiency (FE) /Efficacité énergétique des foyers (EEF) CSA P.4.1
 Natural Gas / Gaz naturel 66.58%
 Propane Gas / Gaz propane 67.96%

920-780

For the State of Massachusetts, installation and repair must be done by a plumber or gas fitter licensed in the Commonwealth of Massachusetts.

For the State of Massachusetts, flexible connectors shall not exceed 36 inches in length.

For the State of Massachusetts, the appliances individual manual shut-off must be a t-handle type valve.

The State of Massachusetts requires the installation of a carbon monoxide alarm in accordance with NFPA 720 and a CO alarm with battery back up in the same room where the gas appliance is installed.

Decal Location

DO NOT REMOVE DECAL FROM UNIT.



Remove bottom cover—decal will be in the lower left corner of the unit

MA Code - CO Detector (for the State of Massachusetts only)

5.08: Modifications to NFPA-54, Chapter 10

(2) Revise 10.8.3 by adding the following additional requirements:

(a) For all side wall horizontally vented gas fueled equipment installed in every dwelling, building or structure used in whole or in part for residential purposes, including those owned or operated by the Commonwealth and where the side wall exhaust vent termination is less than seven (7) feet above finished grade in the area of the venting, including but not limited to decks and porches, the following requirements shall be satisfied:

1. **INSTALLATION OF CARBON MONOXIDE DETECTORS.** At the time of installation of the side wall horizontal vented gas fueled equipment, the installing plumber or gasfitter shall observe that a hard wired carbon monoxide detector with an alarm and battery back-up is installed on the floor level where the gas equipment is to be installed. In addition, the installing plumber or gasfitter shall observe that a battery operated or hard wired carbon monoxide detector with an alarm is installed on each additional level of the dwelling, building or structure served by the side wall horizontal vented gas fueled equipment. It shall be the responsibility of the property owner to secure the services of qualified licensed professionals for the installation of hard wired carbon monoxide detectors

a. In the event that the side wall horizontally vented gas fueled equipment is installed in a crawl space or an attic, the hard wired carbon monoxide detector with alarm and battery back-up may be installed on the next adjacent floor level.

b. In the event that the requirements of this subdivision can not be met at the time of completion of installation, the owner shall have a period of thirty (30) days to comply with the above requirements; provided, however, that during said thirty (30) day period, a battery operated carbon monoxide detector with an alarm shall be installed.

2. **APPROVED CARBON MONOXIDE DETECTORS.** Each carbon monoxide detector as required in accordance with the above provisions shall comply with NFPA 720 and be ANSI/UL 2034 listed and IAS certified.

3. **SIGNAGE.** A metal or plastic identification plate shall be permanently mounted to the exterior of the building at a minimum height of eight (8) feet above grade directly in line with the exhaust vent terminal for the horizontally vented gas fueled heating appliance or equipment. The sign shall read, in print size no less than one-half (1/2) inch in size, "**GAS VENT DIRECTLY BELOW. KEEP CLEAR OF ALL OBSTRUCTIONS**".

4. **INSPECTION.** The state or local gas inspector of the side wall horizontally vented gas fueled equipment shall not approve the installation unless, upon inspection, the inspector observes carbon monoxide detectors and signage installed in accordance with the provisions of 248 CMR 5.08(2)(a)1 through 4.

(b) **EXEMPTIONS:** The following equipment is exempt from 248 CMR 5.08(2)(a)1 through 4:

1. The equipment listed in Chapter 10 entitled "Equipment Not Required To Be Vented" in the most current edition of NFPA 54 as adopted by the Board; and

2. Product Approved side wall horizontally vented gas fueled equipment installed in a room or structure separate from the dwelling, building or structure used in whole or in part for residential purposes.

(c) **MANUFACTURER REQUIREMENTS - GAS EQUIPMENT VENTING SYSTEM PROVIDED.** When the manufacturer of Product Approved side wall horizontally vented gas equipment provides a venting system design or venting system components with the equipment, the instructions provided by the manufacturer for installation of the equipment and the venting system shall include:

1. Detailed instructions for the installation of the venting system design or the venting system components; and

2. A complete parts list for the venting system design or venting system.

(d) **MANUFACTURER REQUIREMENTS - GAS EQUIPMENT VENTING SYSTEM NOT PROVIDED.** When the manufacturer of a Product Approved side wall horizontally vented gas fueled equipment does not provide the parts for venting the flue gases, but identifies "special venting systems", the following requirements shall be satisfied by the manufacturer:

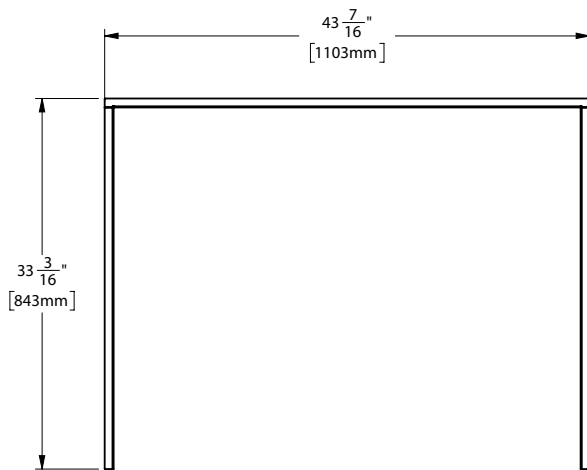
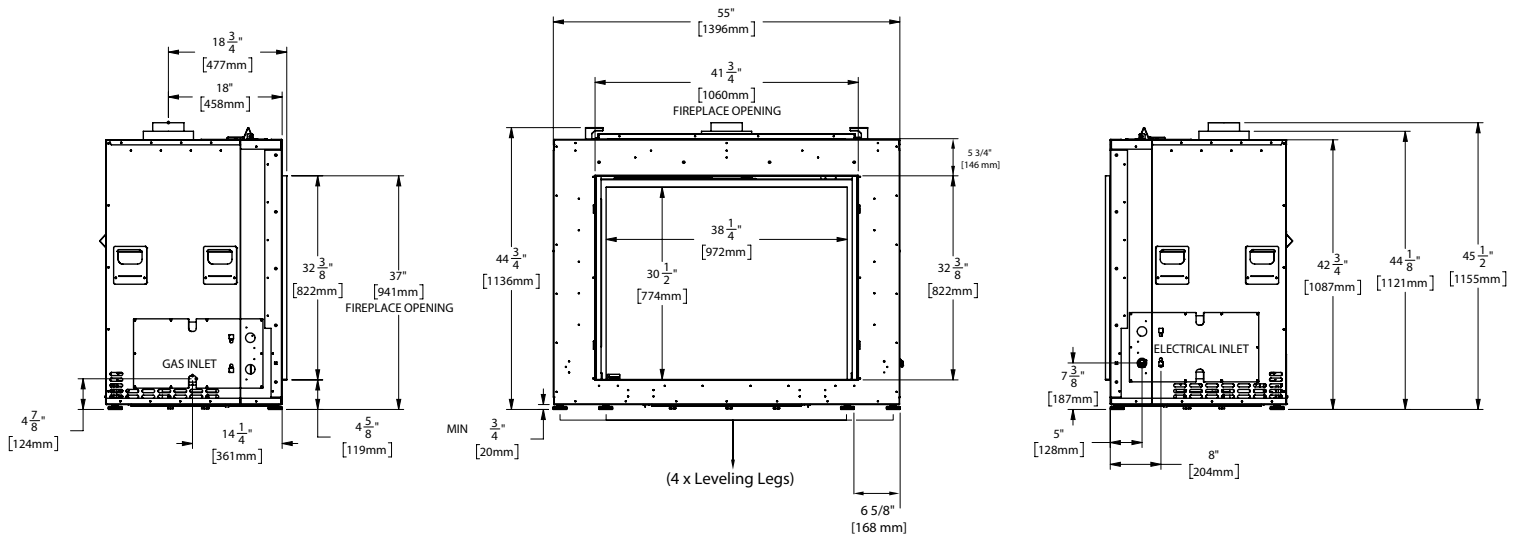
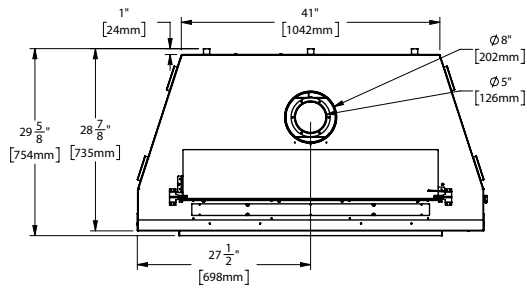
1. The referenced "special venting system" instructions shall be included with the appliance or equipment installation instructions; and

2. The "special venting systems" shall be Product Approved by the Board, and the instructions for that system shall include a parts list and detailed installation instructions.

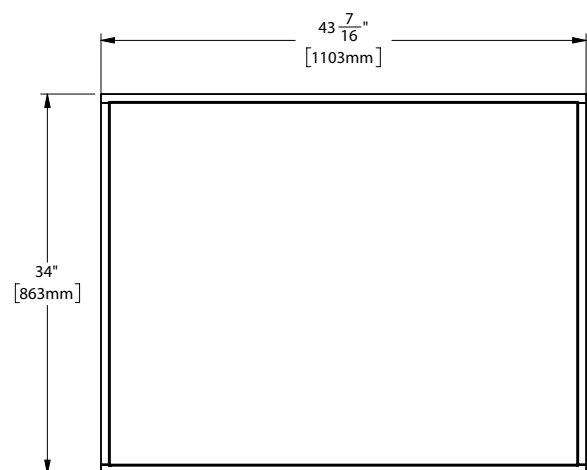
(e) A copy of all installation instructions for all Product Approved side wall horizontally vented gas fueled equipment, all venting instructions, all parts lists for venting instructions, and/or all venting design instructions shall remain with the appliance or equipment at the completion of the installation.

dimensions

Unit Dimensions



3-Sided Finishing Trim



4-Sided Finishing Trim

Note: Gas connection is from the left hand side of the appliance & electrical connection on right hand side of the appliance. A metal receptacle box is supplied/installed with the appliance to make all 120 volt electrical connections.

ALL PICTURES / DIAGRAMS SHOWN THROUGHOUT THIS MANUAL ARE FOR ILLUSTRATION PURPOSES ONLY. ACTUAL PRODUCT MAY VARY DUE TO PRODUCT ENHANCEMENTS.

Gas Installation Checklist

This general checklist does not contain all pertinent installation details or specifics and does not supersede the guidelines in this manual. Your Regency dealer/installer should use it in conjunction with manual instructions. Please follow all local codes and jurisdictions in authority.

Customer: _____	Date Installed: _____		
Install Address: _____	Location of Fireplace: _____		
Serial No: _____	Installer: _____		
Model No: _____			
Site Requirements	YES	NO	
If applicable, are the insulation, vapour barrier, and drywall present if installed on an outside wall or chase?			
Does the area have a solid continuous base to support the unit?			
Will the area accommodate the size of the appliance and all clearances?			
Are the gas and electrical roughed into the area where the unit is being installed?			
In City & Grandview series cool wall applications, is the chase enclosure sealed to prevent heat from escaping? All hot air from the unit must exit via the mandatory ventilation openings.			
In City & Grandview applications, Is the chase enclosure vented with the mandatory heat ventilation openings? See manual for details.			
If applicable, is the masonry/factory built fireplace in its original condition with no modifications?			
If applicable, have the hearth requirements been met?			
Unit Setup	YES	NO	
If applicable, are the standoffs and top nailing flange extensions installed and at the correct depth to accommodate finishing material? See manual for details.			
If applicable, is the fireplace level and secured, meeting framing clearances? See manual for details.			
If applicable, is the unit converted to top or rear vent per manual instructions, and the insulation discarded?			
Venting	YES	NO	
Are the venting components approved for the unit installed?			
Does the venting configuration comply with venting diagrams?			
Is venting installed and secured, and are clearances for the vent pipe and termination cap maintained?			
If applicable, was a 1/4" rise maintained for every foot of horizontal run?			
Was the termination installed and sealed?			
Is the direct vent termination at the highest point in the vent assembly?			
If applicable, are both chimney liners continuous from flue collars to termination?			
Electrical and Wiring	YES	NO	
Is the appliance connected to the household's 110/120v per local codes? Check local codes for receptacle placement.			
Were the connections in the fireplace tested with a circuit tester?			
Is the appliance properly grounded?			
If applicable, is the supplied electrical/gang box affixed to the wall to facilitate the mounting of the receiver/battery box ?			
If applicable, is all electrical, Ethernet, HDMI, networking, optical, wire/cables, conduits, etc. run through the wood or steel stud work as wires/cables of any kind cannot be exposed directly above or over the fireplace?			
Gas	YES	NO	
Does the supply pressure meet the requirements shown on the rating plate?			
Was a conversion performed?			
Was a leak check performed and manifold pressures verified?			

owner's information

Is the shut-off valve installed and easily accessible to the customer?		
Finishing	YES	NO
If applicable, is only noncombustible material installed in the noncombustible areas?		
Do clearances meet installation and manual requirements?		
Do the mantels and/or projections comply with the installation manual?		
If applicable, was the solid fuel fireplace warning plate installed?		
Is the chase enclosure fully open the full width, height and depth above the fireplace as per the requirements noted in the framing section?		
Appliance Media Setup	YES	NO
Do commands from the remote or wall switch light the pilot and main burner?		
Are the burner media/log set, glass door, and screen installed per instructions in the manual?		
Was the air shutter on the proper setting after running the unit for 20 minutes?		
If applicable, were the surround and trims installed according to the manual?		
Was the operation of the fan, lights (if installed), and flame modulation checked?		
Customer Tutorial and Presentation	YES	NO
Is the customer confident operating the new gas appliance and aware of all the features on the remote?		
Confirm that the rating and lighting plates are attached to the appliance. Do not remove.		
Was the customer informed of the location of the rating and lighting plates?		
Was accessing unit controls in a power outage explained to the customer?		
Are the model and serial numbers and the date of installation of the unit written in the manual and on the checklist?		
Were the warranty and unit registration reviewed with the customer?		
Comments:		

Before You Start

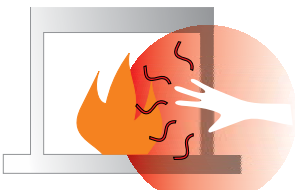
Safe installation and operation of this appliance requires common sense, however, we are required by the Canadian Safety Standards and ANSI Standards to make you aware of the following:

INSTALLATION AND REPAIR SHOULD BE DONE BY AN AUTHORIZED SERVICE PERSON. THE APPLIANCE SHOULD BE INSPECTED BEFORE USE AND AT LEAST ANNUALLY BY A PROFESSIONAL SERVICE PERSON. MORE FREQUENT CLEANING MAY BE REQUIRED DUE TO EXCESSIVE LINT FROM CARPETING, BEDDING MATERIAL, ETC. IT IS IMPERATIVE THAT CONTROL COMPARTMENTS, BURNERS AND CIRCULATING AIR PASSAGeways OF THE APPLIANCE BE KEPT CLEAN.

DUE TO HIGH TEMPERATURES, THE APPLIANCE SHOULD BE LOCATED OUT OF TRAFFIC AND AWAY FROM FURNITURE AND DRAPERIES.

WARNING: FAILURE TO INSTALL THIS APPLIANCE CORRECTLY WILL VOID YOUR WARRANTY AND MAY CAUSE A SERIOUS HOUSE FIRE.

CHILDREN AND ADULTS SHOULD BE ALERTED TO THE HAZARDS OF HIGH SURFACE TEMPERATURES, ESPECIALLY THE FIREPLACE GLASS, AND SHOULD STAY AWAY TO AVOID BURNS OR CLOTHING IGNITION.



YOUNG CHILDREN SHOULD BE CAREFULLY SUPERVISED WHEN THEY ARE IN THE SAME AREA AS THE APPLIANCE. TODDLERS, YOUNG CHILDREN AND OTHERS MAY BE SUSCEPTIBLE TO ACCIDENTAL CONTACT BURNS. A PHYSICAL BARRIERS IS RECOMMENDED IF THERE ARE AT RISK INDIVIDUAL IN THE HOUSE. TO RESTRICT ACCESS TO A FIREPLACE OR STOVE, INSTALL AN ADJUSTABLE SAFETY GATE TO KEEP TODDLERS, YOUNG CHILDREN AND OTHER AT RISK INDIVIDUALS OUT OF THE ROOM AND AWAY FROM HOT SURFACES.

CLOTHING OR OTHER FLAMMABLE MATERIAL SHOULD NOT BE PLACED ON OR NEAR THE APPLIANCE.

A BARRIER DESIGNED TO REDUCE THE RISK OF BURNS FROM THE HOT VIEWING GLASS IS PROVIDED WITH THIS APPLIANCE AND SHALL BE INSTALLED FOR THE PROTECTION OF CHILDREN AND OTHER AT-RISK INDIVIDUALS.

ANY SAFETY SCREEN, GUARD, OR BARRIER REMOVED FOR SERVICING THE APPLIANCE, MUST BE REPLACED PRIOR TO OPERATING THE APPLIANCE.

IF THE BARRIER BECOMES DAMAGED, THE BARRIER SHALL BE REPLACED WITH THE MANUFACTURER'S BARRIER FOR THIS APPLIANCE.

 **WARNING: Cancer and Reproductive Harm**
www.P65Warnings.ca.gov

919-874

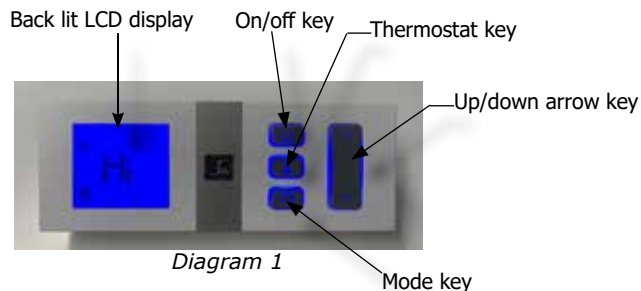
owner's information

Lighting Procedure

IMPORTANT The remote control system supplied has several options for starting/operating the appliance using the battery holder and ON/OFF key on the hand held transmitter.

Prior to operating this appliance, please read the instructions packaged with the remote control to understand how to operate the system.

1. Ensure the battery holder switch is in the REMOTE position and / or wall mounted battery holder (if equipped) is in the REMOTE position.
2. Press and release the ON/OFF button on the remote handheld transmitter (see Diagram 1). A beep should be heard from the receiver. If not using the remote, turn the appliance on by sliding the battery holder switch to the ON position.
3. After approximately four seconds for non power vent models or 15 seconds for power vent models, the spark ignition system will spark for 60 seconds to light the main burner.

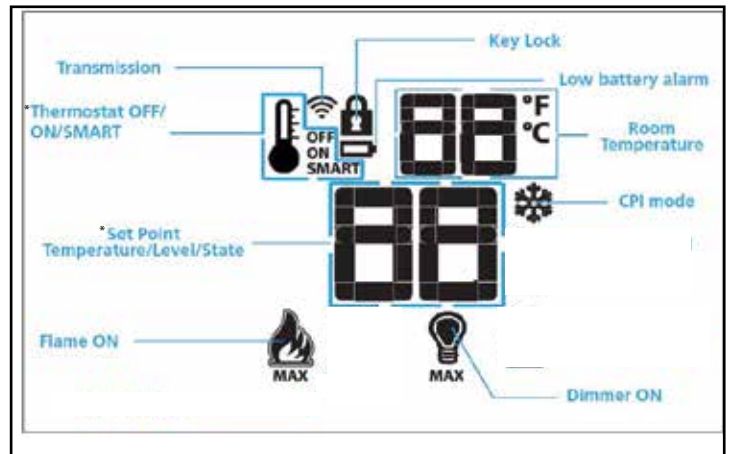


4. The unit will turn on.
5. Reset the system as follows:
 - a) Turn the system off by pressing the ON/OFF button on the remote .
 - b) Wait 5 minutes, then repeat the process from step 2.

NOTE The first try for ignition will last approximately 60 seconds. If there is no flame ignition (rectification), the board will stop sparking for approximately 35 seconds. After wait time, the board will start second try for ignition by sparking for approximately 60 seconds. If there is still no positive ignition, the board will go into lock out.

Shutdown Procedure

1. Press the ON/OFF button on the remote.
2. Before service is performed, you must disconnect the power and shut off gas to the appliance.



* Not offered on all models.

Continuous Pilot/Intermittent Pilot (CPI/IPI) selection

See remote control instructions for details.

NOTE Power vent Models Only : The Continuous pilot option must not be used as it will cause the power vent blower to run continuously.

Copy of Lighting Plate Instructions

**FOR YOUR SAFETY READ BEFORE LIGHTING
POUR VOTRE SÉCURITÉ – À LIRE AVANT LA MISE EN MARCHÉ**

WARNING: If you do not follow these instructions exactly, a fire or explosion may result causing property damage, personal injury or loss of life. Improper installation, adjustment, alteration, service or maintenance can cause injury or property damage. Refer to the owner's information manual provided with this appliance. For assistance or additional information consult a qualified installer, service agency or gas supplier.

AVERTISSEMENT : Quiconque ne respecte pas scrupuleusement les instructions de la présente notice risque de déclencher un incendie ou une explosion pouvant entraîner des dégâts matériels ou des blessures pouvant être mortelles. Tout défaut d'installation, de réglage, de modification, de service ou d'entretien peut entraîner des blessures ou des dommages matériels. Reportez-vous au manuel d'utilisation fourni avec cet équipement. Pour obtenir de l'aide ou des informations complémentaires, consulter un installateur ou un service d'entretien qualifié, ou le fournisseur de gaz.

- A) This appliance is equipped with an ignition device which automatically lights the pilot.
Do not try to light the pilot by hand.
- B) **BEFORE OPERATING** smell all around the appliance area for gas. Be sure to smell next to the floor because some gas is heavier than air and will settle on the floor.
WHAT TO DO IF YOU SMELL GAS
- Do not try to light any appliance.
 - Do not touch any electric switch, do not use any phone in your building.
 - Leave the building immediately.
 - Immediately call your gas supplier from a neighbours phone. Follow the gas supplier's instructions.
 - If you cannot reach your gas supplier, call the fire department.
- C) Do not use this appliance if any part has been under water. Immediately call a qualified service technician to inspect the appliance and to replace any part of the control system and any gas control which has been underwater.
- A) Cet appareil est muni d'un dispositif d'allumage qui allume automatiquement la veilleuse.
Ne tentez pas d'allumer la veilleuse manuellement.
- B) **AVANT LA MISE EN MARCHÉ**, reniflez tout autour de l'appareil pour détecter une odeur de gaz. Reniflez au niveau du plancher, car certains gaz sont plus lourds que l'air et peuvent s'accumuler au niveau du sol.
- QUE FAIRE SI VOUS SENTEZ UNE ODEUR DE GAZ :**
- Ne tentez pas d'allumer l'appareil
 - Ne touchez à aucun interrupteur; n'utilisez pas le téléphone se trouvant dans le bâtiment.
 - Quittez immédiatement le bâtiment.
 - Appelez immédiatement votre fournisseur de gaz depuis un téléphone extérieur. Suivez les instructions du fournisseur.
 - Si vous ne pouvez pas rejoindre le fournisseur, appelez le service incendie.
- C) N'utilisez pas cet appareil s'il a été plongé dans l'eau, même partiellement. Faites inspecter l'appareil par un technicien qualifié et remplacez tout élément du système de contrôle ou de commande qui a été plongé dans l'eau.

CAUTION: Hot while in operation. Do not touch. Severe burns may result. Due to high surface temperatures keep children, clothing and furniture, gasoline and other liquids having flammable vapors away. Keep burner and control compartment clean. See installation and operating instructions accompanying appliance.

ATTENTION : Surfaces chaudes lorsque l'appareil est en marche. Ne pas toucher. Risque de brûlures graves. En raison des températures élevées, les enfants, les vêtements et le mobilier, le carburant et tout autre liquide aux vapeurs inflammables doivent être tenus éloignés de l'appareil. Nettoyer régulièrement le brûleur et le compartiment des commandes. Voir les consignes d'installation et d'utilisation fournies avec l'appareil.

OPERATING INSTRUCTIONS / CONSIGNES DE FONCTIONNEMENT

- 1) **STOP!** Read the safety information above on this label.
 - 2) Ensure the Main switch is in the ON position and/or the wall mounted battery holder (if equipped) is in the <REMOTE> position.
 - 3) Press and release the ON/OFF button on the remote handheld transmitter. An audible beep should be heard from the receiver. If not using the remote, the unit can also be turned on by sliding the battery holder switch to the <ON> position (if equipped).
 - 4) After approximately 4 seconds the spark ignition system will spark for 60 seconds to light the main burner.
 - 5) The unit will turn on.
Note: The first attempt to ignition will last approximately 60 seconds. If there is no flame ignition (rectification) the board will stop sparking for approximately 35 seconds. After this wait time, the board will start a second try for ignition by sparking for approximately 60 seconds. If there is still no positive ignition after the second attempt the board will go into lock out.
The system will need to be reset as follows (after going into lock out mode):
 - a) Wait 5 minutes - turn the system off by pressing the ON/OFF button on the remote.
 - b) After approximately 2 seconds press the ON/OFF button again.
 - c) Unit will repeat step 2.
 - 6) If the appliance will not operate, follow the instructions, "To Turn Off Gas to Appliance" and call your service technician or gas supplier. This appliance is equipped with an on-demand pilot that shuts off after seven days.
- 1) **STOP!** Lisez les instructions de sécurité sur la portion supérieure de cette étiquette.
 - 2) S'assurer que le commutateur principal est en position ON et/ou que le bloc-piles mural (le cas échéant) est en position <REMOTE>.
 - 3) Appuyer sur la touche ON/OFF de la télécommande puis relâcher. Un bip sonore retentira depuis le récepteur. Si vous n'utilisez pas la télécommande, l'appareil peut également être allumé en faisant glisser le commutateur du bloc-piles sur la position <ON> (le cas échéant).
 - 4) Après environ 4 secondes, le système d'allumage produira une étincelle pendant 60 secondes pour allumer le brûleur principal.
 - 5) L'appareil s'allumera.
Remarque : Au premier allumage, le système tente d'allumer les flammes pendant 60 secondes. Si l'essai est infructueux, le système fera une pause de 35 secondes. C'est ce qu'on appelle l'étape de rectification. Ce délai écoulé, le système tente à nouveau d'allumer les flammes en produisant des étincelles pendant 60 secondes. Si les flammes ne s'allument toujours pas, le système se met en mode verrouillage.
Il faut alors le réinitialiser en suivant les étapes ci-dessous (pour le déverrouiller) :
 - a) Attendre 5 minutes et éteindre l'appareil en appuyant sur la touche ON/OFF de la télécommande.
 - b) Attendre 2 secondes et appuyer encore une fois sur la touche ON/OFF.
 - c) L'appareil répètera l'étape 2.
 - 6) Si l'appareil ne fonctionne pas, suivez les instructions "Pour couper le gaz au niveau de l'appareil" et appelez un technicien qualifié ou votre fournisseur de gaz.
Cet appareil est équipé d'une veilleuse sur demande qui s'éteint après sept jours.

TO TURN OFF GAS TO APPLIANCE / POUR COUPER LE GAZ AU NIVEAU DE L'APPAREIL

- 1) Press the ON/OFF button on the remote or slide the wall mount switch to the "OFF" position.
- 2) If service is to be performed—you must disconnect power and shut off gas to the unit.
- 1) Appuyer sur la touche ON/OFF de la télécommande ou faites glisser l'interrupteur mural sur la position "OFF".
- 2) Lors de l'entretien de l'appareil, vous devez débrancher l'alimentation électrique et couper le gaz alimentant l'appareil.

DO NOT REMOVE THIS INSTRUCTION PLATE

NE PAS ENLEVER CETTE ÉTIQUETTE D'INSTRUCTIONS

919-649b

Proflame II Remote Control Operating Instructions

- NOTES**
- The Proflame Transmitter 2 is an integrated part of the Proflame 2 System, which consists of these elements:
 - » Proflame 2 Transmitter, in conjunction with
 - » Integrated Fireplace Control (Proflame 2 IFC)

The Proflame 2 Transmitter controls the following hearth appliance functions:

1. Main burner on/off.
2. Main burner flame modulation (6 levels).
3. Choice of standing or intermittent pilot (CPI/IPI) (non power vent only).
4. Thermostat and smart thermostat functions.
5. Accent light modulation (Bottom Lights) (6 levels).
6. Split flow valve.
7. Aux ON (Top Light) (ON/OFF Only).
8. Comfort fan speed modulation (6 levels).

The Proflame Transmitter uses a streamlined design with a simple button layout and informative LCD display (Fig. 1). A mode key scrolls between the features and a thermostat key is used to turn on/off or scroll through thermostat functions (fig. 1 & 2). There is also a key lock feature (Fig. 22).

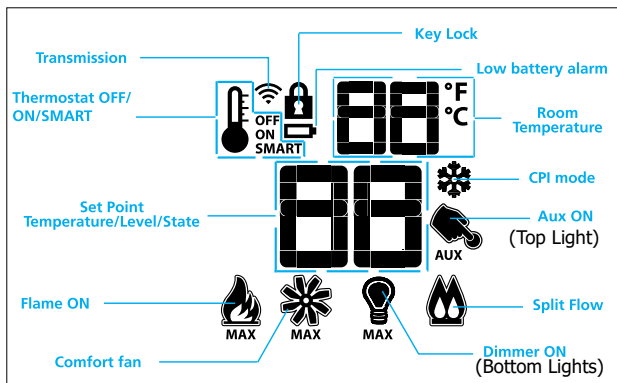


Figure 1: Transmitter LCD Display

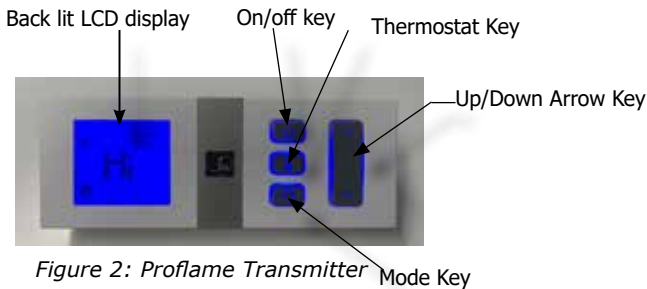


Figure 2: Proflame Transmitter Mode Key

WARNING The transmitter and IFC are radio frequency devices.

ATTENTION

- Turn OFF the main gas supply & electrical supply of the appliance prior to installation or maintenance of the IFC, and removing or reinserting the batteries.
- In case of remote control malfunction, turn off the IFC device using the ON/OFF main switch.
- For installation / maintenance, switch off the IFC device removing main power supply plug.

Non-Power Vent Model: Install the 4 AA batteries during power outages to run the main burner. However, the lights will not operate.

Power Vent Model: This appliance will not operate if 120 volt power is lost within the home.

This appliance requires coding/pairing of the remote control and IFC (Integrated Fireplace Control). See instructions in this manual.

Pairing the remote control to remote receiver/battery holder (if required)

Power the receiver and press the PRG button located on its top right corner - see the receiver instruction marked (*). The receiver will beep three times when ready to synchronize with a transmitter. Install three AAA batteries in the battery bay, at the base of the transmitter (Fig. 3). Press the ON button. The receiver's command is accepted and sets to the particular code of that transmitter. The system is now initialized.

(*) The receiver may be independent or integral to the IFC hearth appliance control module. The receiver instruction may not be independent when part of the IFC.



Figure 3: Battery compartment

Note: Only use regular alkaline batteries. Do not use rechargeable or lithium batteries.



TECHNICAL DATA REMOTE CONTROL	
Supply voltage	4.5V (three 1.5V AAA batteries)
Ambient temperature ratings	0 - 50°C (32 - 122°F)
Typical operative distance in free air	12 m (39 ft)
Radio frequency	315 MHZ (FCC version)

Temperature indication Display

With the system off, press the THERMOSTAT key and the MODE key at the same time. Look on the transmitter's LCD screen for a C or F to the right of the room temperature display (Fig. 4 & 5).

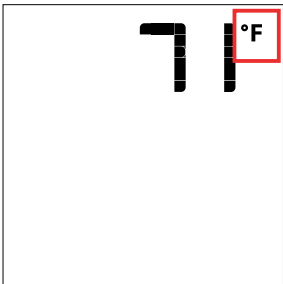


Figure 4: Remote Control Display in Fahrenheit.

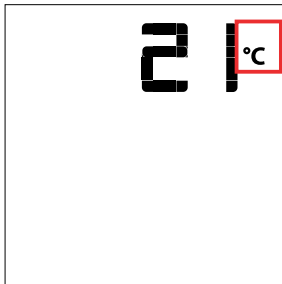


Figure 5: Remote Control Display in Celsius.

Turn on the Appliance

With the system off, press the ON/OFF key on the transmitter. Some icons will be active on the transmitter display; nonetheless, the IFC will activate the appliance. A single "beep" from the IFC confirms reception of the command.

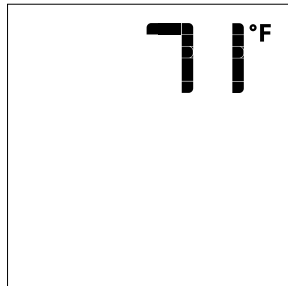


Figure 6: Remote Control display

Turn off the Appliance

With the system ON, press the ON/OFF key on the transmitter. The transmitter LCD display will only show the room temperature (Fig. 6). At the same time the IFC will turn off the appliance. A single "beep" from the IFC confirms reception of the command.

Remote-Flame Control

The Proflame has six (6) flame levels. With the system on and flame level at maximum, the DOWN ARROW key will reduce the flame height by one step each time it is pressed, until the flame is off.

The UP ARROW key will increase the flame height each time it is pressed. If the UP ARROW key is pressed while the system is on but the flame is off, the flame will come on in the high position (Fig. 7 & 8). A single "beep" confirms reception of the command.

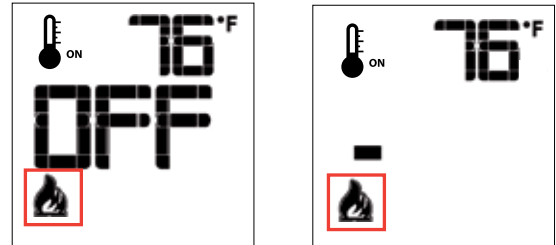


Fig. 7

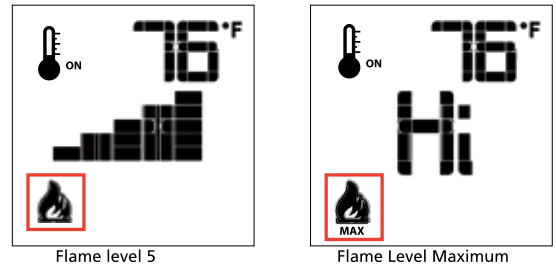


Fig. 8

Room Thermostat (Transmitter Operation)

The remote control can operate as a room thermostat which can be set to a desired temperature. To activate this function, press the THERMOSTAT key (Fig. 1). The LCD display on the transmitter will show that the room thermostat is on, and the set temperature is displayed (Fig. 9). To adjust the set temperature, press the UP or DOWN ARROW keys until the desired temperature is displayed on the transmitter's LCD screen.

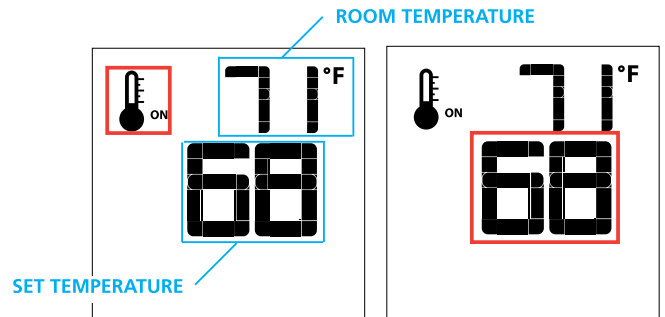


Figure 9

Figure 10

owner's information

Smart Thermostat (Transmitter Operation)

The smart thermostat function adjusts the flame height based on the difference between the set point and the actual room temperatures. As the room temperature gets closer to the set point, the smart function will turn the flame down.

To activate this function, press the THERMOSTAT key (fig. 1) until the word "SMART" appears to the right of the temperature bulb graphic (fig. 11). To adjust the set temperature, press the UP or DOWN ARROW keys until the desired temperature is displayed on the transmitter's LCD screen (fig. 12).

NOTE When smart thermostat is activated, manual flame height adjustment is disabled.

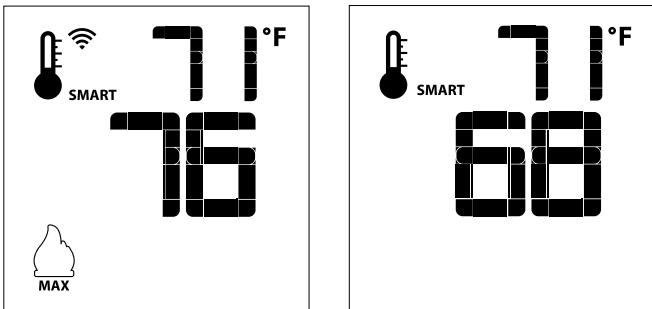


Figure 11: Smart Flame Function Figure 12

Fan Speed Control

If the appliance is equipped with a hot air circulating fan, its speed can be controlled by the Proflame system. To activate this function, use the MODE key (Fig.1) to scroll to the fan control icon (Fig. 13). Use the UP/DOWN ARROW keys (Fig.1) to turn on, off, or adjust to one of the fan's six speeds (Fig. 14). A single "beep" confirms reception of the command.

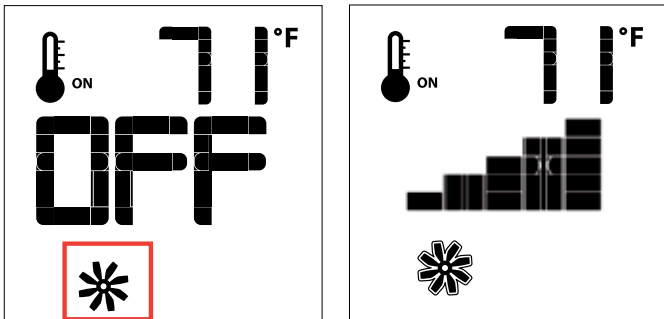


Figure 13 Figure 14

Remote Dimmer Control (Bottom Light)

The light bulb function controls the bottom lights by the dimmable light control. To activate this function, use the MODE key (Fig. 1) to scroll to the light bulb icon (Fig. 15 & 16).

The intensity of the output can be adjusted through six (6) levels. Use the UP/DOWN ARROW keys (fig.1) to adjust the output level (Fig. 16). A single "beep" confirms reception of the command.

NOTE This function is available only with the IFC Control Module.

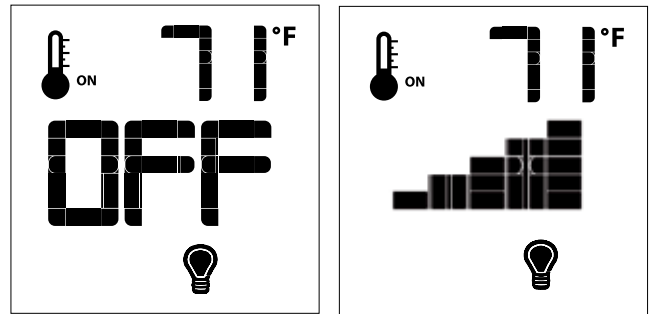


Figure 15 Figure 16

Remote Auxiliary Relay (Top Light) Control

The auxiliary function controls the top light. To activate this function, use the MODE key (Fig. 1) to index to the AUX icon (Fig. 17 & 18).

Pressing the Up Arrow Key will activate the outlet. Pressing the Down Arrow Key will turn the outlet off. A single "beep" will confirm the reception of the command.

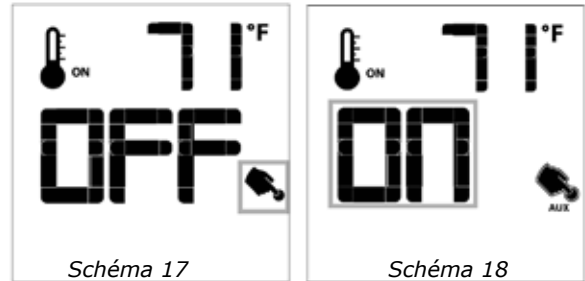


Schéma 17 Schéma 18

Split Flow control

The secondary burner is controlled by the split flow. To activate this function, use the MODE key (fig. 1) to scroll to the SPLIT FLOW mode icon (Fig. 19 & 20).

Pressing the UP ARROW key will activate the secondary burner. Pressing the DOWN ARROW key will turn the secondary burner off. A single "beep" confirms the reception of the command.

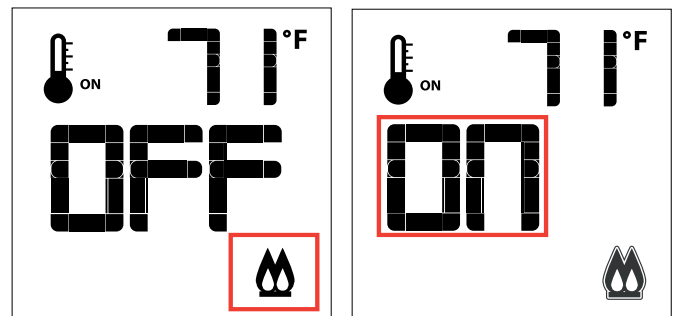


Figure 19 Figure 20

Continuous Pilot/Intermittent Pilot (CPI/ IPI) selection

NOTE Power vent models do not have a continuous pilot (CPI) option.

IMPORTANT This unit must remain in intermittent pilot (IPI) mode when used as a power vent model. If the unit is accidentally placed in CPI mode, the pilot and the external power vent fan will work constantly, causing unnecessary wear.

With the system in off position, press the MODE key (Fig. 1) to scroll to the CPI mode icon (Fig. 19 & 20).

Pressing the UP ARROW key will activate the continuous pilot ignition mode (CPI). Pressing the DOWN ARROW key will return to IPI. A single "beep" confirms the reception of the command.

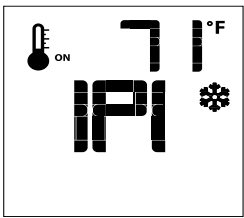


Figure 19

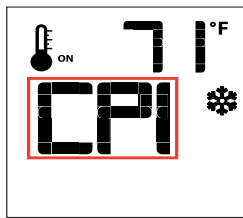


Figure 20

CPI/IPI Switch (Non Power Vent Only)

This appliance comes equipped with a CPI/IPI switch. The functions of the CPI/IPI switch are listed below.

Continuous Pilot (CPI) - A pilot that remains continuously ignited until it is manually interrupted.

Intermittent Pilot (IPI) - A pilot that is automatically ignited when an appliance is called on to operate and remains continuously ignited during each period of main burner operation. The pilot is automatically extinguished when each main burner operating cycle is completed.

The mode of the fireplace is easily changed from an intermittent pilot ignition system (IPI) to a continuous pilot ignition system (CPI) using the remote control as noted above.

The benefits of CPI mode are as follows:

- Keeps venting primed for trouble-free startup under colder weather conditions or inversions.
- Keeps the unit glass warm, which decreases the amount of condensation on startup.
- Provides owners with flexibility to choose a traditional continuous pilot. The primary benefit of having the IPI function is a significant savings on fuel as the pilot will only run when there is a call for heat.

Thermostat Icon: If the thermostat icon is not present on the remote transmitter, follow the instructions noted below:

1. Remove one battery from the remote.
2. Press and hold the THERMOSTAT button on the remote while reinstalling the battery.
4. If you see "Set" on the remote, the thermostat option is enabled. If you see "Clr", the thermostat option is disabled.
5. Repeat the procedure to change the "Set" or "Clr" option.

Enable all other functions if not present on the remote transmitter, following the instructions noted below.

1. Remove one battery from remote.
2. Press and hold the ON/OFF and MODE buttons simultaneously.
3. Reinstall the battery removed in step 1 while holding both buttons, then release the MODE button only.

4. The screen will show either "Clr" or "Set".
5. "Clr" will remove a mode—use the up or down arrow while holding the ON/OFF and MODE keys (mode icon will disappear once removed).
6. Use the MODE key to move to the next function.
7. "Set" will add a mode —use the up or down arrow while holding ON/OFF and MODE keys (mode icon will appear when added).
8. Use the MODE key to move to the next function.

NOTE The fan (if installed) or CPI/IPI mode should not be programmed out on the remote.

Key Lock

This function will lock the keys to avoid unsupervised operation. To activate or deactivate this function, press the MODE and UP keys at the same time (Fig. 21).

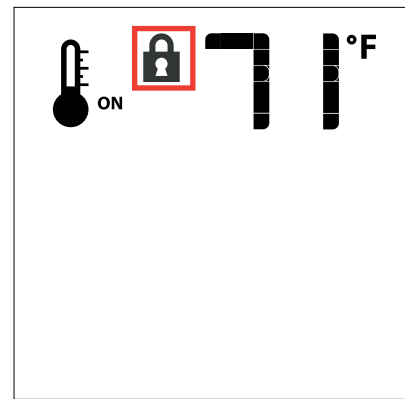


Figure 21

Low Battery Power Detection Transmitter

The life span of the remote control batteries depends on various factors:

- Quality of the batteries used.
- The number of ignitions of the appliance.
- The number of changes to the room thermostat set point, etc.

When the remote control's batteries are low, a battery icon will appear on its display (Fig. 22) before power is lost. When the batteries are replaced, the battery icon will disappear.

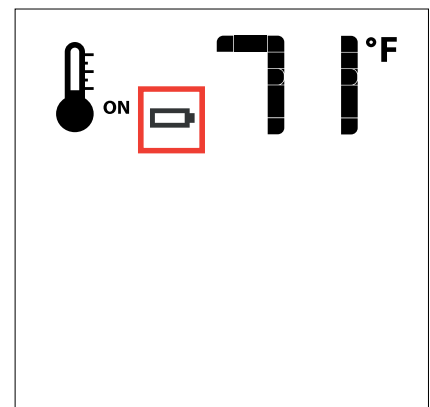


Figure 22

NOTE For information about glass or glass barriers, see "Panels, Barriers, Faceplates" in the "Installation - General" section of this manual. For information on light bulb replacement, refer to the "Maintenance" section.

owner's information

Proflame II Battery Holder Battery Replacement & Battery Pack up if 120 Volt Power is lost

IMPORTANT:

Non-Power Vent Model: Install the 4 AA batteries during power outages to run the main burner. However, the lights & optional fan will not operate.

Power Vent Model: This appliance will not operate if 120 volt power is lost within the home. This will not operate with 4 AA batteries due to the power vent blower motor requiring AC power to operate.

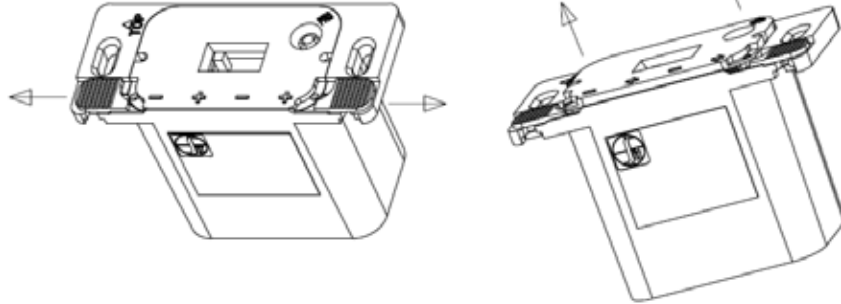
How to replace/add the batteries on battery holder (Proflame 2).

Note : If a wall switch cover plate is installed, first remove cover plate by removing 2 small phillips head screws

STEP 1

Move both the left/right slides as shown below.

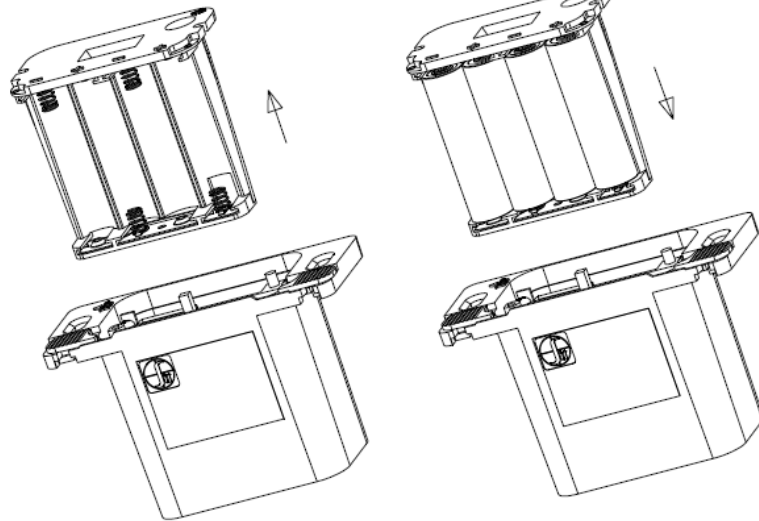
The battery compartment will be pushed out slightly, to allow to easily extract it



STEP 2

Extract the battery compartment from the remote receiver/battery holder

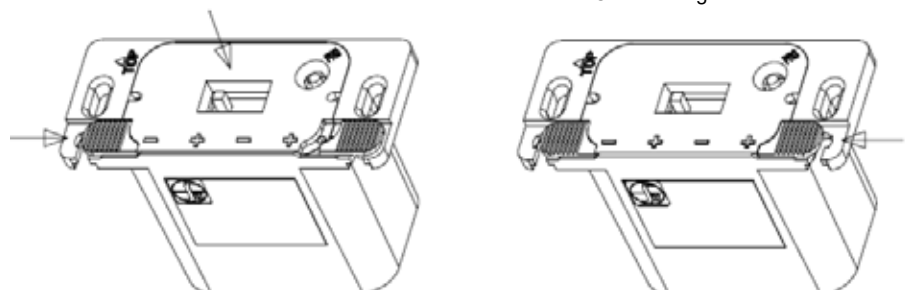
Replace 4 x AA batteries and insert the battery compartment back into remote receiver/battery holder



STEP 3

Keeping the battery compartment pressed in, close the left slide

Close the right slide

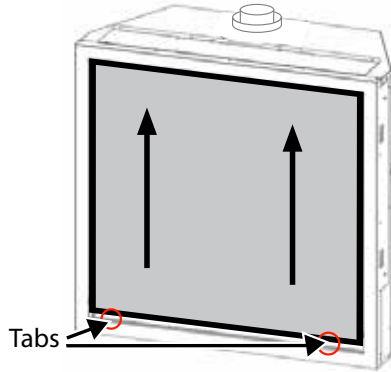


STEP 4 Reinstall wall cover plate with 2 Phillips head screws.

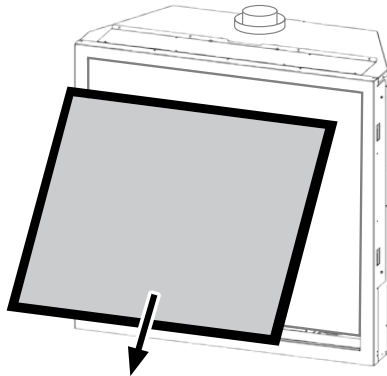
Safety Screen Removal

Warning: Ensure power and gas is shut off and unit is cool before servicing.

1. Slide screen up using tabs on either side of the screen bottom.



2. Pull bottom outwards then lower screen down.
3. Swing screen outwards while keeping the screen level and remove.

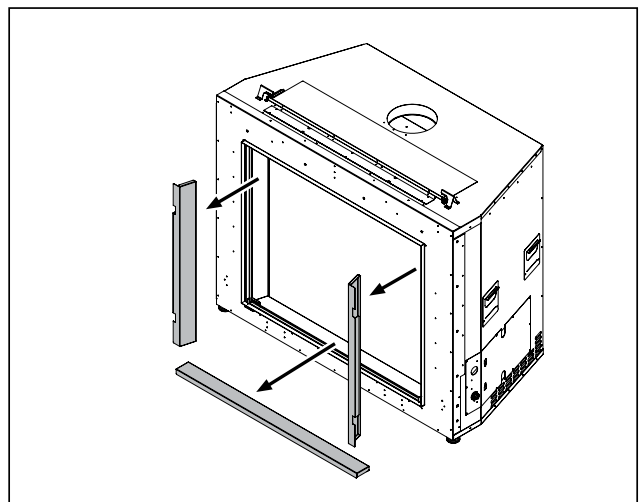
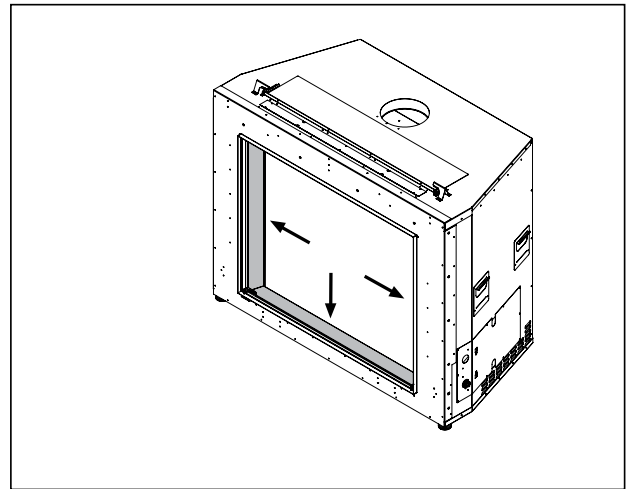


Safety Screen Installation

1. To install the safety screen—Reverse steps above.

Magnetic Cover Removal

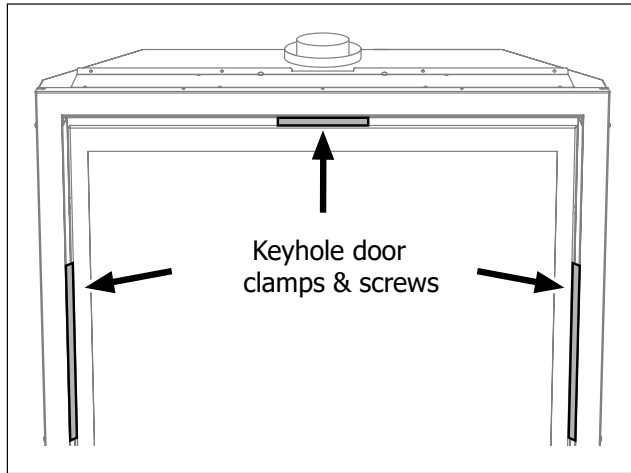
1. Lift up left side cover panel and pull towards center to release from magnets and remove (failure to lift panel may result in scratching cover panel).
2. Repeat process for opposite side panel.
3. Remove bottom cover panel by lifting up on one side then the other. Once released from the magnets the panel can be removed and set aside.
4. When reinstalling panels, ensure they are pulled tight to front of brackets.



owner's information

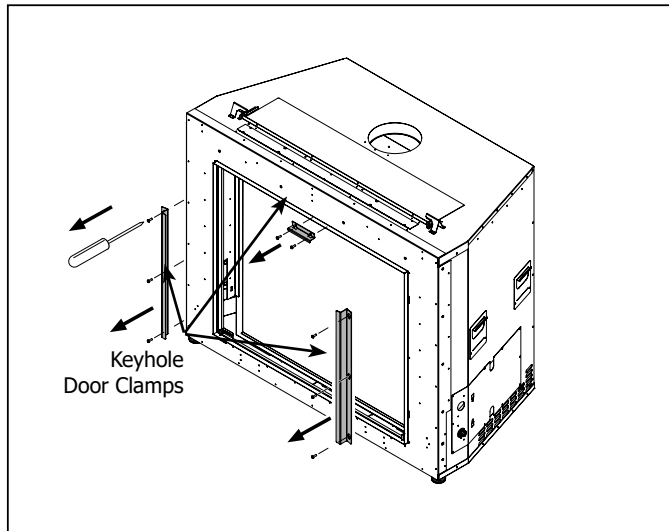
Glass Door Removal

1. To remove the glass door - loosen the 8 door clamp screws, 3 each side and 2 at top.

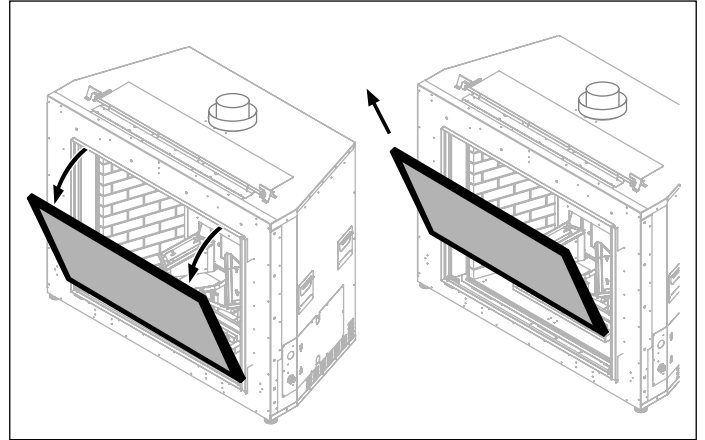


2. With all bolts loosened, lift off the 3 keyhole clamps while holding the door upright.

Note: Door clamp screws do not need to be removed, only loosened enough for the clamps to be removed.



3. Tilt top of door open (approximately 45 degrees) and lift off and out of bottom slots. Ensure door clears bottom cover panel magnets when removing.



Glass Door Installation

1. To install the door—Reverse steps above.

Non Power Vent/Power Vent Switch

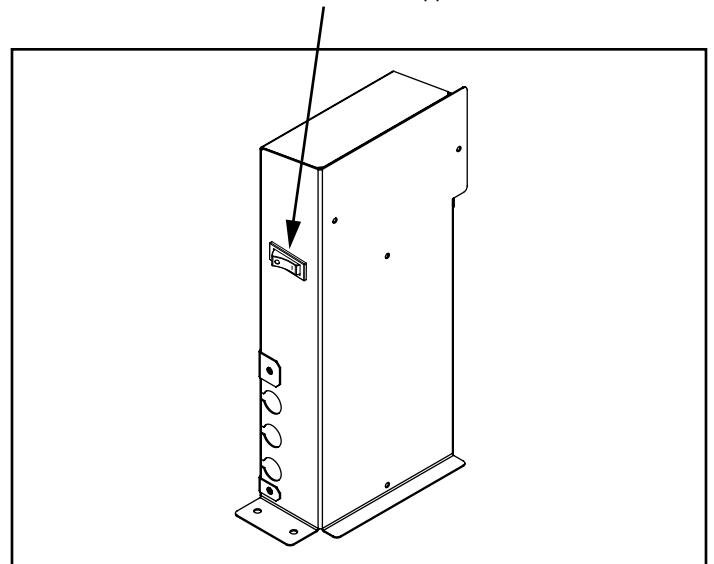
This appliance will come with a switch which is factory set to (I). Location is shown below.

The switch position must be as follows:

Non power vent model (I)

Power vent model (O)

This switch does not turn ON/OFF the appliance. Once switch selection has been confirmed, this must always remain in the same position. The remote control transmitter or wall switch will turn the appliance ON/OFF.



Important Message

SAVE THESE INSTRUCTIONS

The G1200P Direct Vent Fireplace must be installed in accordance with these instructions. Carefully read all the instructions in this manual first. Consult the "authority having jurisdiction" to determine the need for a permit prior to starting the installation. It is the responsibility of the installer to ensure this fireplace is installed in compliance with manufacturer's instructions and all applicable codes.

General Safety Information

1. The appliance installation must conform with local codes or, in the absence of local codes, with the current Canadian or National Gas Codes, CSA B149.1 or ANSI Z223.1 Installation Codes.
2. The appliance when installed, must be electrically grounded in accordance with local codes, or in the absence of local codes with the current National Electrical Code, ANSI/NFPA 70 or CSA C22.1 Canadian Electrical Code.
3. See general construction and assembly instructions. The appliance and vent should be enclosed.
4. This appliance must be connected to the specified vent and termination cap to the outside of the building envelope. Never vent to another room or inside a building. Make sure that the vent is fitted as per Venting instructions.
5. Inspect the venting system annually for blockage and any signs of deterioration.
6. Venting terminals shall not be recessed into a wall or siding.
7. Any safety glass removed for servicing must be replaced prior to operating the appliance.
8. To prevent injury, do not allow anyone who is unfamiliar with the operation to use the fireplace.
9. Wear gloves and safety glasses for protection while doing required maintenance.
10. Be aware of electrical wiring locations in walls and ceilings when cutting holes for termination.
11. Under no circumstances should this appliance be modified. Parts that have to be removed for servicing should be replaced prior to operating this appliance.
12. Installation and any repairs to this appliance should be done by a qualified service person. A professional service person should be called to inspect this appliance annually. Make it a practice to have all of your gas appliances checked annually.
13. Do not slam shut or strike the glass door.
14. Under no circumstances should any solid fuels (wood, paper, cardboard, coal, etc.) be used in this appliance.
15. The appliance area must be kept clear and free of combustible materials, (gases and other flammable vapours and liquids).
16. Ensure that all electrical, Ethernet, HDMI, networking, optical, wires/cables, conduits, etc. are run through the wood or steel stud work. Do not place directly above or have exposed over the fireplace.
17. The chase enclosure must be fully open the full width, height and depth above the fireplace as per the requirements noted in the framing section for both cool wall/non cool wall.

CAUTION: Label all wires & gas lines prior to disconnection when servicing. Connection errors can cause improper and dangerous operation. Verify proper operation after servicing.

installer's information

Installation Checklist

1. Locate appliance
 - a) Room location (Refer to "Locating Your Gas fireplace" section)
 - b) Clearances to Combustibles (Refer to "Clearances" section)
 - c) Mantle Clearances (Refer to "Combustible Mantel Clearances" section)
 - d) Framing & Finishing Requirements (Refer to "Framing & Finishing" section)
 - e) Venting Requirements (Refer to "Venting" section)
2. Assemble Top Standoffs and Top Facing Support and Side Nailing Strips (Refer to "Unit Assembly Prior to Installation" Section).
NOTE: Must be done before installing unit into place.
3. Install vent (Refer to "Venting" sections).
4. Make gas connections. Test the pilot. Must be as per Diagram (Refer to "Pilot Adjustment" section).
Convert to propane if desired (Refer to "Gas Line Installation" and "Conversion Kit from NG to LPG" sections).
5. Make electrical connections to receptacle supplied with unit. Wire 120 volt AC power to the supplied receptacle box located on the lower right-hand side of appliance. The Duplex receptacle and cover are included in the manual package.
****Note:** This heater does not require a 120 volt AC supply for burner operation, but is highly recommended as a primary power source to eliminate the need for 4 AA batteries. Batteries should only be used as a secondary power source. 120 Volt AC power is also required for the lights/fan.
6. Install standard and optional features. Refer to the following sections:
 - a. Standard Glass Door
 - b. Cool Wall conversion
 - c. Nailing flange installation
 - d. Electrical access/120 volt power installation by others
 - e. Wall Mount ON/OFF Switch + Battery Holder Installation
 - f. Cool Wall/Non Cool Wall Clearances/ Framing/Finishing
 - g. LP Conversion
 - h. Inner Panels or Brick Panels (Must install one of the options)
 - i. Log Set Installation
 - j. ****Install 4AA batteries into battery pack**
 - k. Fan Kit**Note:** Fan option is not permitted with Cool Wall installation.
7. Plug 3 prong plug into the receptacle. The 3 prong plug will be located in the lower right side of the appliance.
8. Final check.

This includes:

1. Clocking the appliance to ensure the correct firing rate (rate noted on label 53,000 Btu/h for natural gas and propane), after burning appliance for 15 minutes.
2. If required, adjusting the primary air to ensure that the flame does not carbon. First allow the unit to burn for 15-20 min. to stabilize.

CAUTION: Any alteration to the product that causes sooting or carboning that results in damage is not the responsibility of the manufacturer.

Locating Your Gas Fireplace

1. When selecting a location for your fireplace, ensure that the clearances are met.
2. The appliance must be installed on a flat, solid, continuous surface For example a wood, metal or concrete floor or in a raised (on the wall) application. The appliance must be installed on a metal or wood panel extending the full width and depth of the appliance.
3. The G1200P Gas Fireplace can be installed in a recessed position or framed out into the room as in A, B, C and D. See Diagram 1.

IMPORTANT : See Hearth installation section in this manual for full details as non combustible material is required when installing a raised hearth.

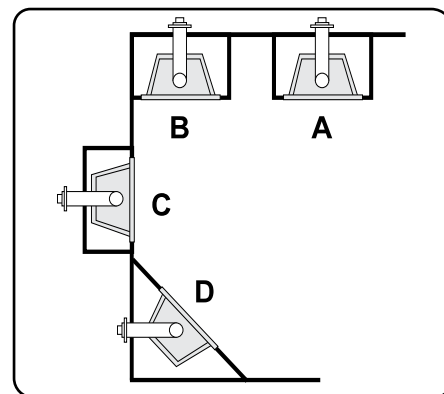


Diagram 1

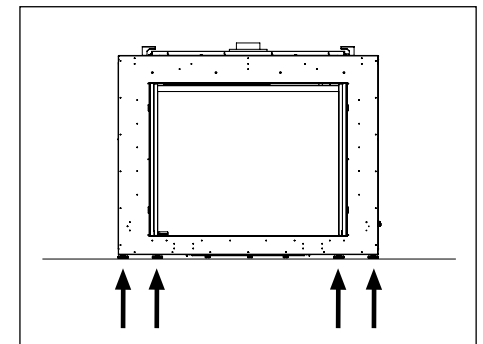
- A) Flat on Wall
- B) Flat on Wall Corner
- C) Recessed into Wall/Alcove
- D) Corner

4. This appliance is Listed for bedroom installations using the standard Remote (millivolt thermostat system). Some areas may have further requirements, check local codes before installation.
5. The G1200P Gas Fireplace are approved for alcove installations, see "Clearances" section for details.
6. We recommend that you plan your installation on paper using exact measurements for clearances and floor protection before actually installing this appliance. Have an authorized inspector, dealer, or installer review your plans before installation.

Note: For vent terminations, refer to "Exterior Vent Termination Locations" section.

Leveling Legs

There are four (4) leveling legs at the base of the appliance that can be adjusted by hand if required or with the tool provided in manual package.



Clearance/Framing and Chase Vent Configurations

The G1200P is designed to allow for unique installation options—depending on the desired finish. Please review the options and follow the specific clearance, framing, and finishing options for that application.

The applications are as follows:

Cool Wall installation: combustible materials can be installed right up to the fireplace opening with this option.

Note: Fan option is not permitted with Cool Wall installation.

Non Cool Wall Installation: non-combustible required when installing materials right to the fireplace opening with this option.

Note: The topics listed below can be found in the pages that follow.

- Cool Wall Installation (Combustible Finishing)
- Non Cool Wall Installation (Non Combustible Finishing)
- Cool Wall/Non Cool Wall Framing Specifications
- Cool Wall Installation-Cool Wall Conversion
- Cool Wall/Non Cool Wall Clearances
- Cool Wall/Non Cool Wall Mantel Clearances
- Cool Wall/Non Cool Wall Mantel Leg Clearances
- Cool Wall Chase Venting
- Cool Wall Chase Vent Installation
- Finishing Trim Install
- Unit Assembly Prior to Installation

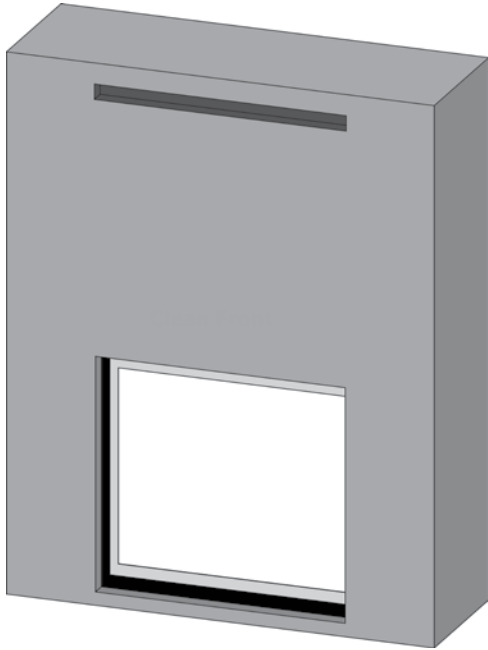
installation

Cool Wall Installation (Combustible Finishing)

Cool Wall Install:

- Vented chase required
- Combustible material can be used all around the fireplace
- Combustible framing

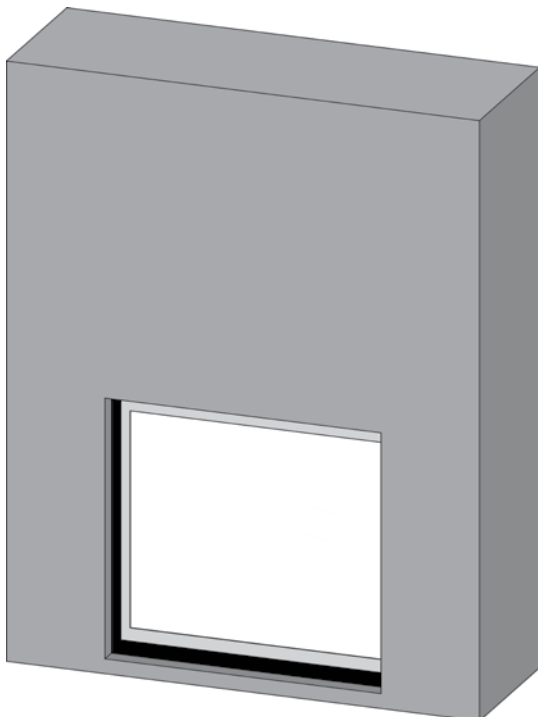
Note: Fan option is not permitted with Cool Wall Installation.



Non Cool Wall Installation (Non Combustible Finishing)

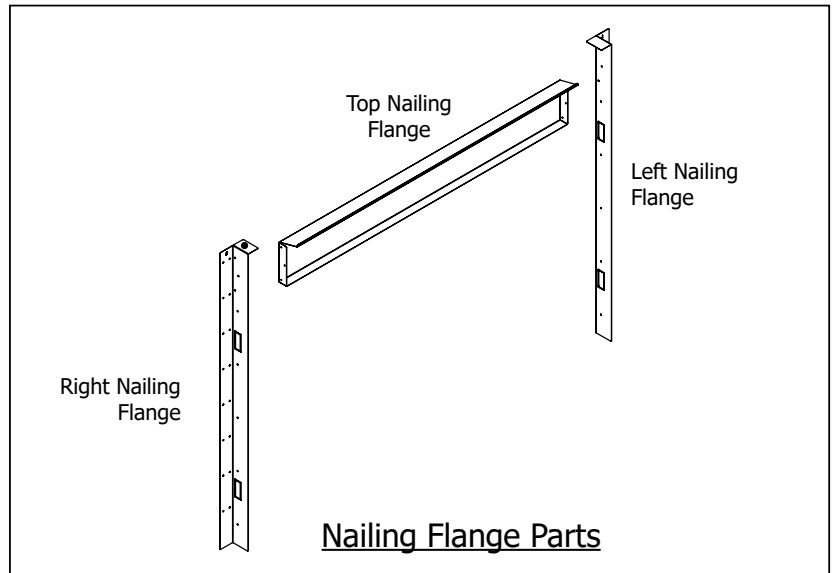
Install:

- No vent chase required
- Non-combustible board required
- Combustible framing



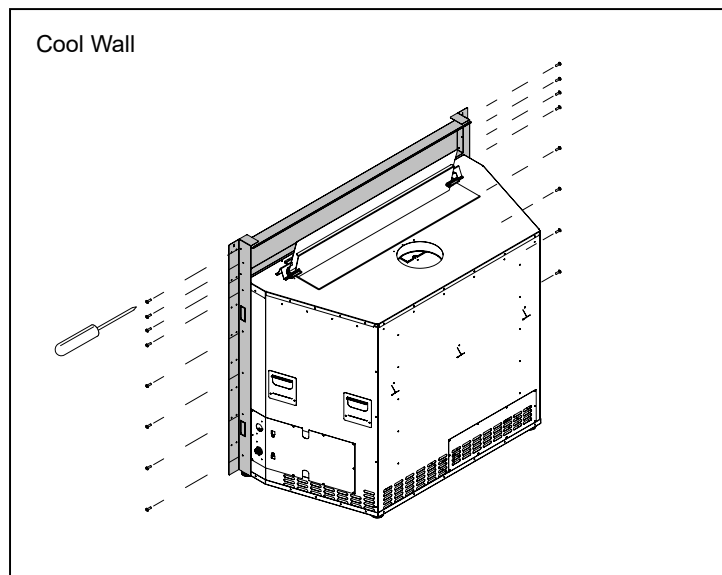
Unit Assembly Prior to Installation (Nailing Flange Installation) - Cool Wall/Non Cool Wall

IMPORTANT: The installation of the nailing flanges differ depending if this will be a cool wall or non cool wall installation. See following nailing flange installation instructions for both cool wall/non cool wall.



Cool Wall Nailing Flange Installation

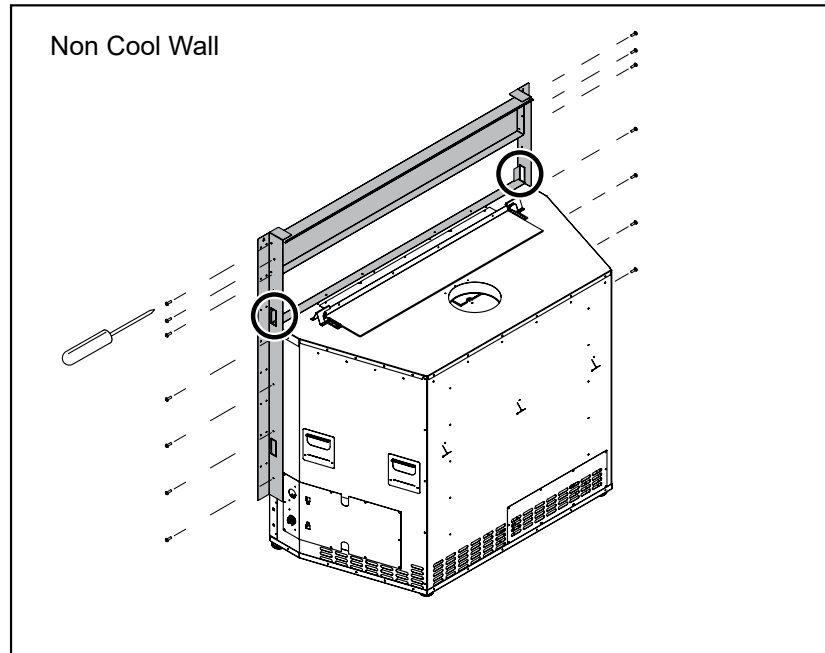
1. Attach top and side nailing flanges using 6 screws provided in manual package.
2. Rest top nailing flange on unit and attach sides to unit using 5 screws each.
3. Bend tabs outwards from nailing flanges to provide 1" spacing off unit for framing.



installation

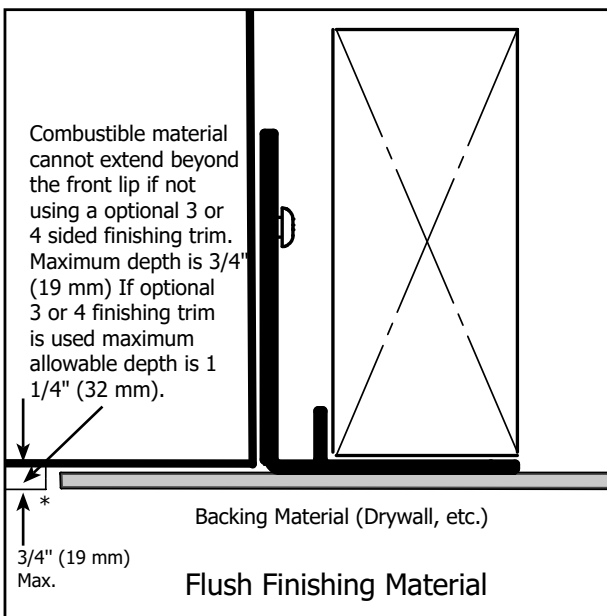
Non Cool Wall Nailing Flange Installation

1. Attach top and side nailing flanges using 6 screws provided in manual package.
2. Bend upper tabs inwards and rest these on unit top to set height. Attach sides to unit using 4 screws each.
3. Bend lower tabs outwards from nailing flanges to provide 1" spacing off unit for framing.

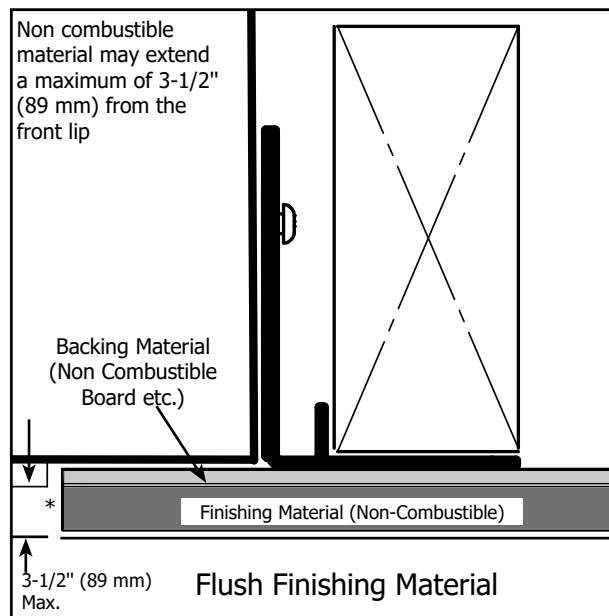


Facing and Finishing Details Cool Wall/Non Cool Wall

TOP VIEW - COOL WALL



TOP VIEW - NON COOL WALL



*If using a finishing trim, a 1/4" (6 mm) gap must be maintained on both sides of the fireplace to allow the optional 3 or 4-sided finishing trim to be installed and removed. If a finishing trim is not being used, do not leave any gap.

The optional finishing trim can be adjusted from 1/2" (13 mm) minimum to 1-1/4" (32 mm) maximum depending on finishing depth. This finishing trim will not work with materials thicker than 1-1/4" (32 mm)

Cool Wall Clearances

Cool Wall installation: Combustible materials can be installed right up to the fireplace opening with this option.

Note: Fan option is not permitted with Cool Wall installation.

The clearances listed below are minimum distances unless otherwise stated.

A major cause of chimney related fires is failure to maintain required clearances (air space) to combustible materials. It is of the greatest importance that this fireplace and vent system be installed only in accordance with these instructions.

Caution Requirements

The top, back and sides of the fireplace are defined by standoffs. The metal ends of the standoff may **NOT** be recessed into combustible construction.

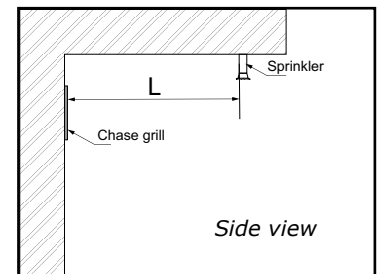
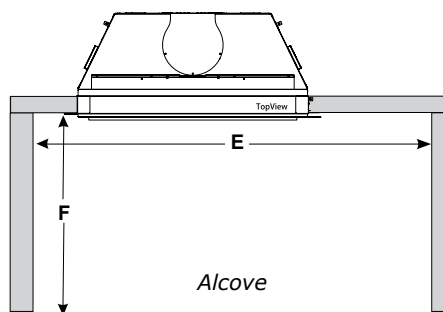
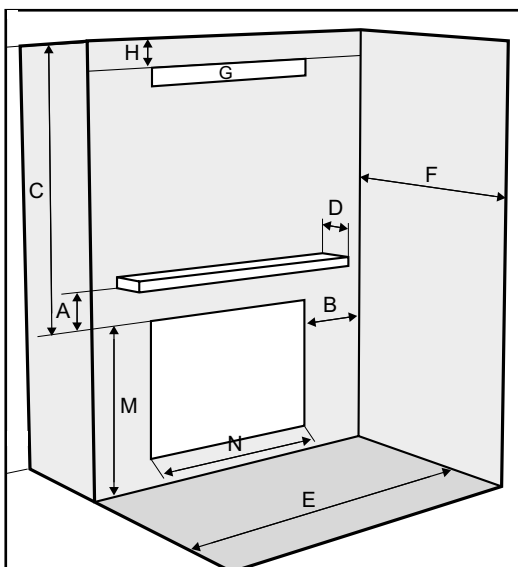
WARNING

Fire hazard is an extreme risk
If these clearances (air space) to combustible materials are not adhered to. It is of greatest importance that this fireplace and vent system be installed only in accordance with these instructions.

G1200P Clearance Requirements—Cool Wall Installations		
Clearance:	Cool Wall	Measured From:
A: Mantel Height (Min.)	6" (152 mm)	Top of Fireplace Opening
B: Sidewall	18" (457 mm)	Side of Fireplace Opening
C: Ceiling	53" (1346 mm)	Top of Fireplace Opening
D: Mantel Depth (Max.)	12" (305 mm)	Front of Fireplace Opening
E: Alcove Width	84" (2134 mm)	Wall to Wall (Minimum)
F: Alcove Depth	36" (914 mm)	Front to Back Wall (Maximum)
G: Convection Air Outlet	180 sq. in	Top/Front of Enclosure
H: Convection Air Outlet Opening Ceiling Offset	1-1/2" (38 mm)	Top of Chase Vent Opening See this manual for full details
L: Clearance to Sprinkler Head (Min.)	36" (914 mm)	Perpendicular From Chase Grill
M : Reference Dimension Only	37" (940 mm)	From Fireplace Base To Top Of Fireplace Opening/Lip
N : Reference Dimension Only	41-3/4" (1060 mm)	From Fireplace Opening/Lip
Notes: No Hearth Required	0"	From below leveling legs.

IMPORTANT - *A minimum of 180 square inches of open area. Chase enclosure ceiling must be flush with ventilation opening required for all cool wall installations — this can be achieved by having an open area in front. See manual for details.

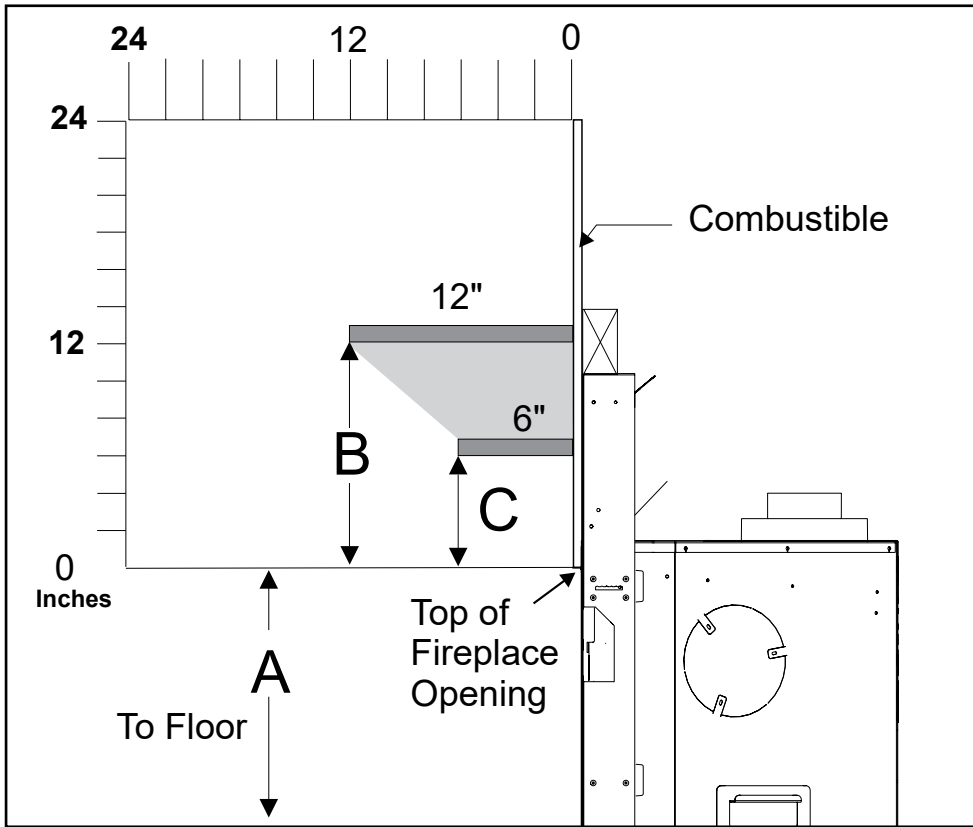
Note: If installing a hearth in front of the appliance see Hearth installation section in this manual for full details.



installation

Cool Wall Mantel Clearances

Due to the extreme heat this fireplace emits, the mantel clearances are critical. Combustible mantel clearances from top of front facing are shown in the diagram below.

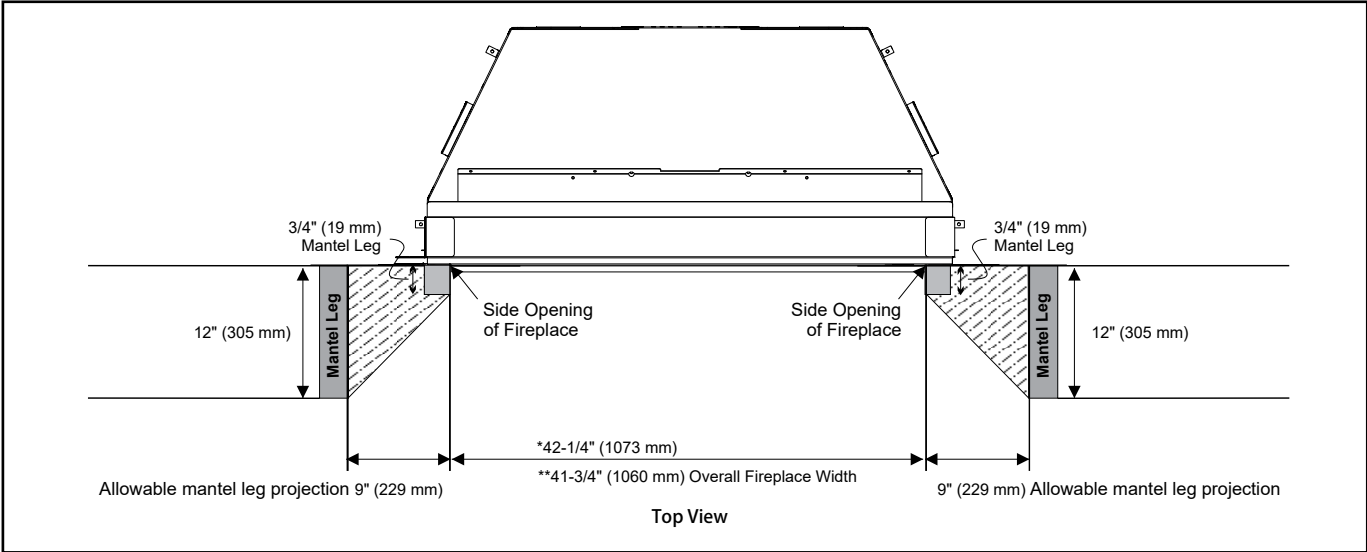


Mantel Clearances G1200P	*A	B	C
From Top of Fireplace Opening	37" (940 mm)	12" (305 mm)	6" (152 mm)

Note: Ensure the paint that is used on the mantel and the facing is "High Quality" or the paint may discolour.

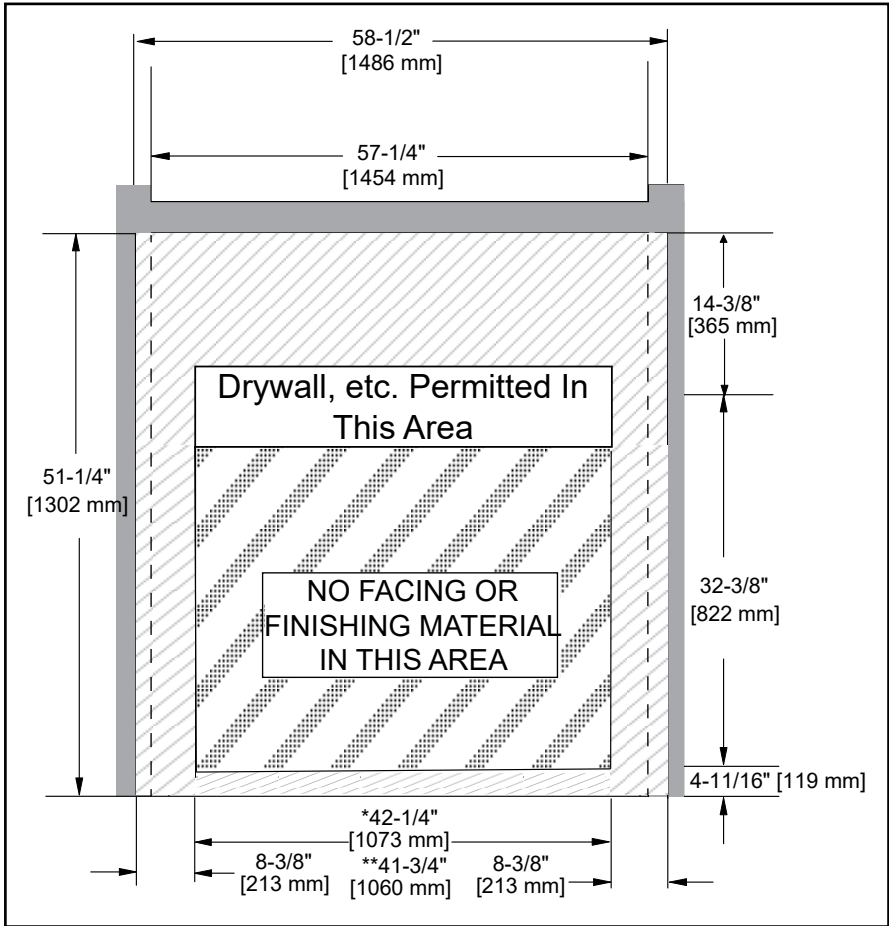
*Measurement taken is from base of fireplace to top of fireplace opening/lip.

Cool Wall Mantel Leg Clearances



See framing dimensions on next page.

Cool Wall Installation (Cool Wall) - Combustible Materials



See framing dimensions on next page.

*A 1/4" (6 mm) gap must be maintained on both sides of the fireplace to allow the optional 3 or 4-sided finishing trim to be installed and removed.
**If not using the optional 3/4 sided finishing trim.

installation

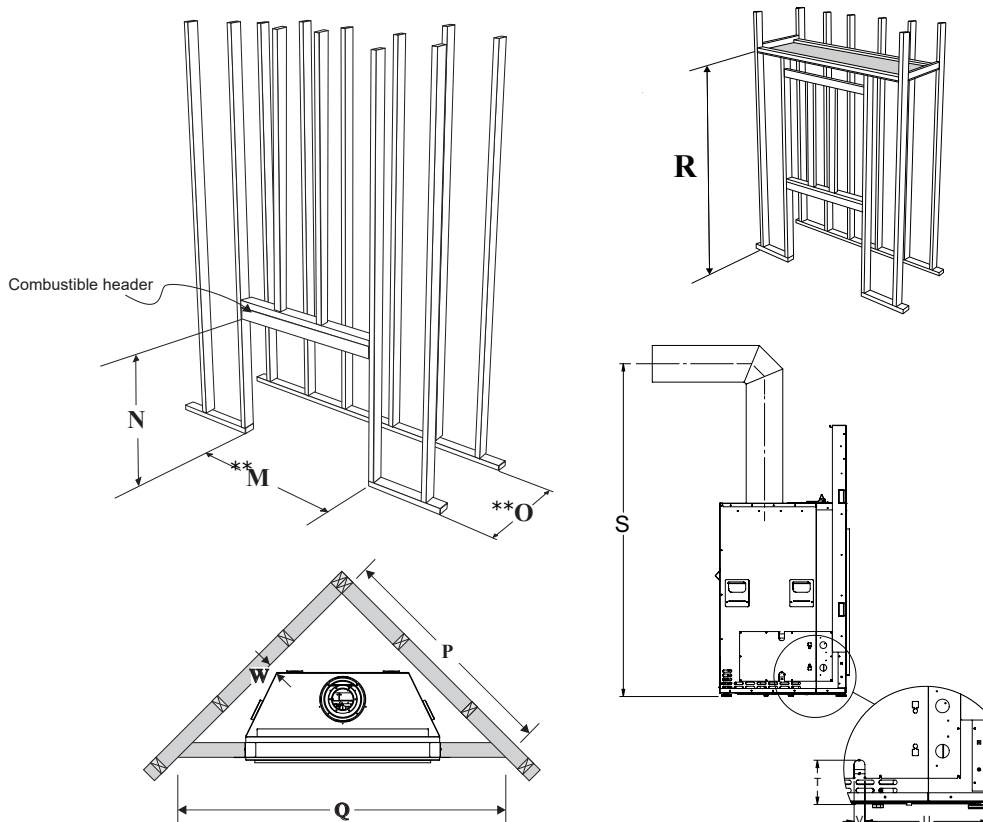
Cool Wall Installation 2 x 4 or 2 x 6 - Framing

NOTE: Framing may be constructed of combustible material (i.e. 2 x 4/2 x 6) and does not require steel studs.

Framing Dimensions	Description	Cool Wall
M	Framing Width	57-1/4" (1454 mm)
N*	Framing Height	51-1/4" (1302 mm)
O	Framing Depth	29" (737 mm)
P	Corner Facing Wall Width	70-1/2" (1791 mm)
Q	Corner Facing Wall Width	99-3/4" (2534 mm)
R	Framed Chase Ceiling Enclosure	*88" (2235 mm)
S	Vent Centerline Height	75-1/2" (1918 mm)
T	Gas Connection Height	4 7/8" (124 mm)
U	Gas Connection Inset	13 3/4" (349 mm)
V	Gas Connection Width	1 1/4" (32 mm)
W	Clearance to Corner of Unit	1" (25 mm)

*** Important: Framing height requires consideration of the hearth height. Dimension N = N + the thickness of the installed hearth.**

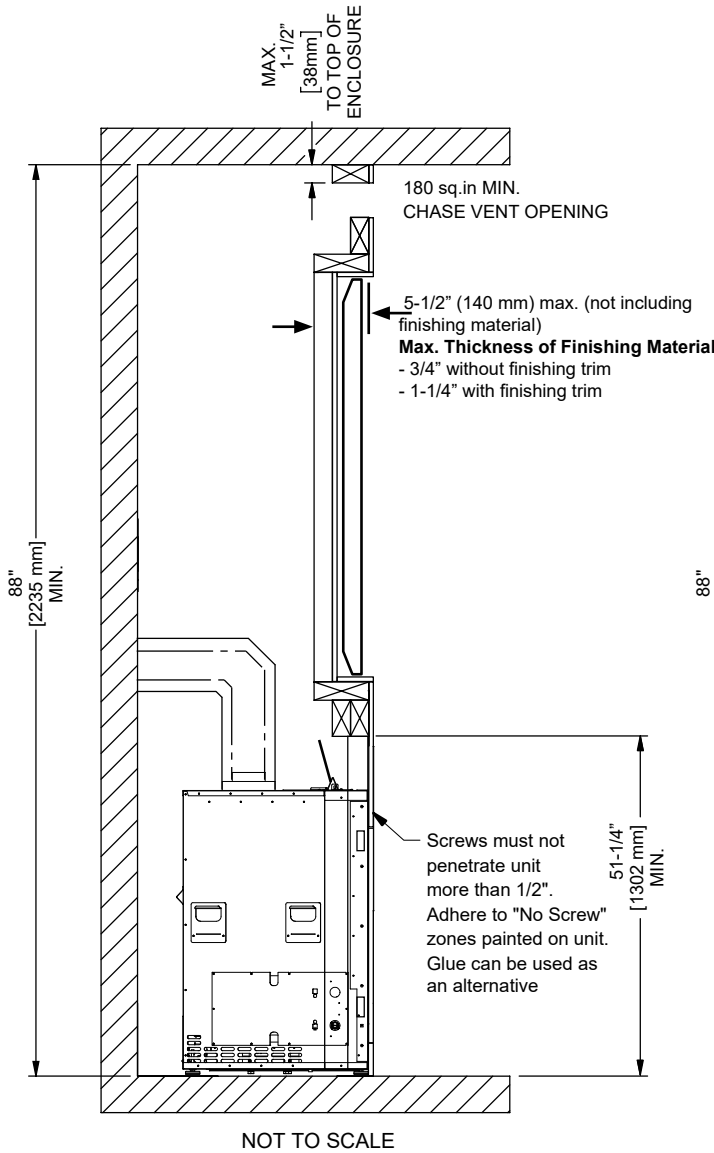
Note: Standoffs required in all installations.



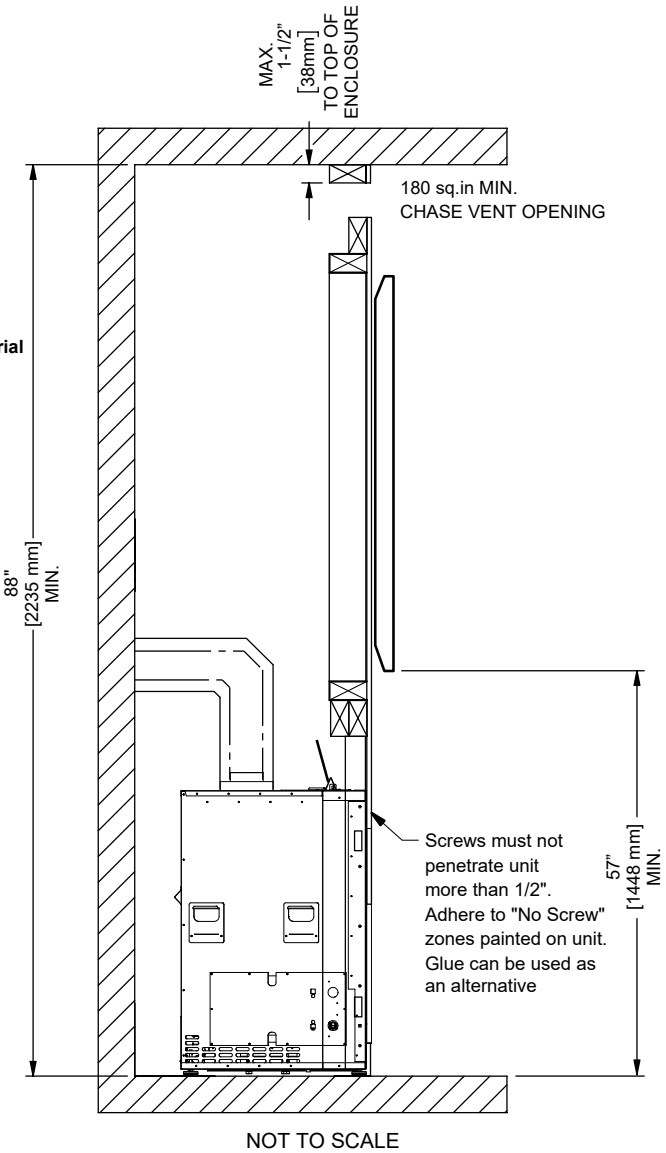
**The framing depth/width does not take into account dry wall/wood or similar materials against the back /side wall. The framing depth will need to change based on the thickness of the material
 (example: M - 57-1/4"/1454 mm framing width + 1/2" drywall x 2 Both Sides = 58-1/4"/1479 mm)
 (example: O - 29"/737 mm framing depth + 1/2" drywall = 29-1/2"/749 mm)

Cool Wall TV Recess

Maximum TV Recess



Flush TV with Hearth/Finished Floor

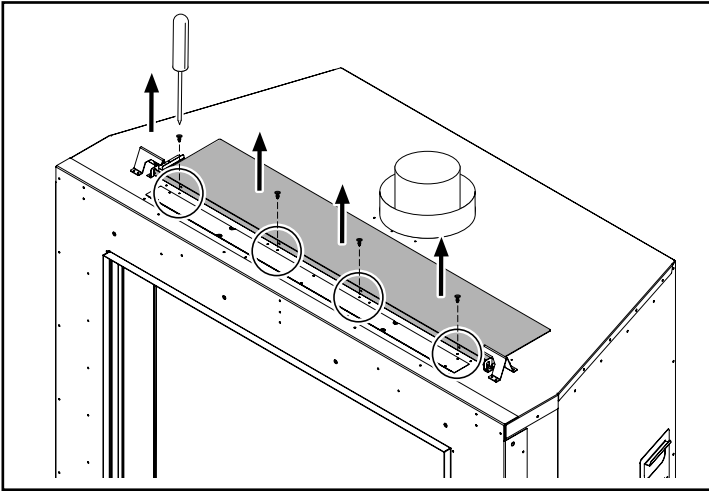


- Note: The TV mounting bracket cannot be secured directly to the appliance. It must be secured to the framing.
- The clearances noted are recommendations only and not a guarantee of compliance with all TV manufacturer's maximum allowable operating temperatures.
 - It is the responsibility of the user to check the TV installation instructions to ensure that the location of the TV in relation to the fireplace is suitable.
 - Most television manufacturers instruct the user to not place the television above any heat source. Doing so may negatively affect the longevity of the television and may negate the warranty.
 - If you do place a television above the fireplace, please be aware of the amount of heat the fireplace generates. Regency in no way guarantees or takes responsibility for the suitability of the above installation for all homes, or any negative impacts from placing a TV above the fireplace, including damage to the TV.

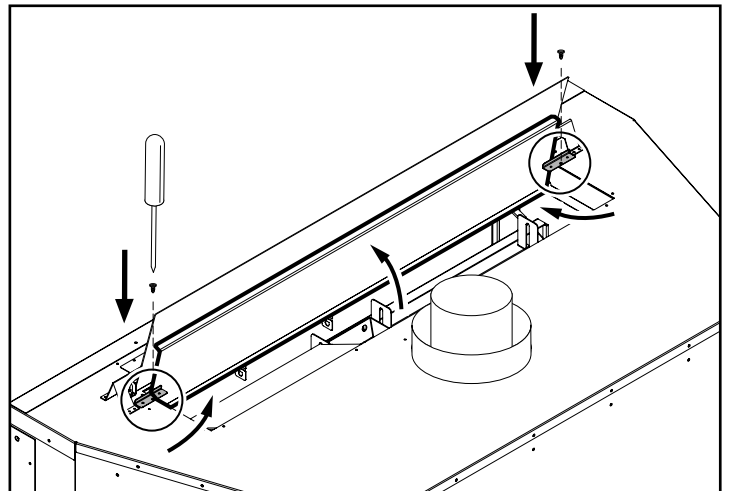
installation

Cool Wall Installation - Cool Wall Conversion

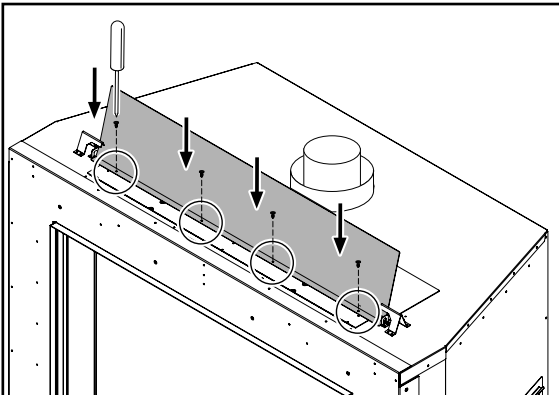
1. Remove four (4) screws shown.



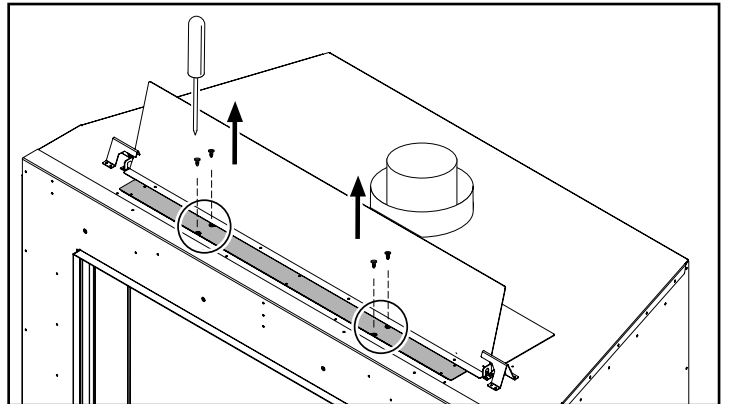
4. Lift inner door and rotate tabs to lock it in place. Secure with the two (2) screws removed in step 3.



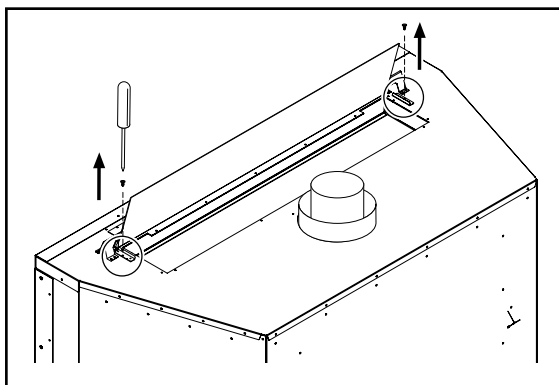
2. Lift outer cover and secure with the 4 screws removed in step 1.



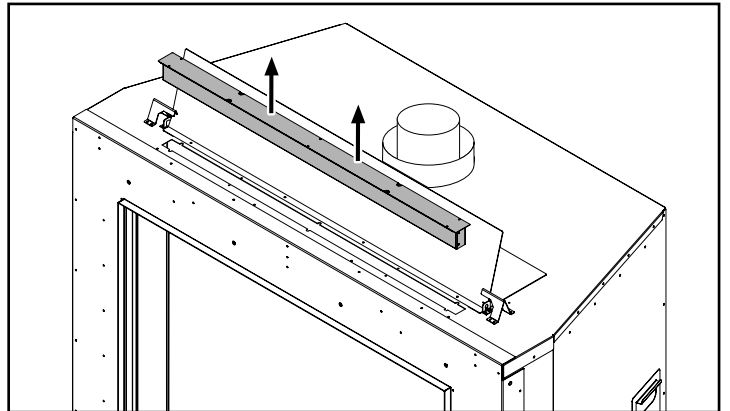
5. Remove four (4) screws shown.



3. Remove two (2) screws shown.



6. Remove insulation tray and discard.

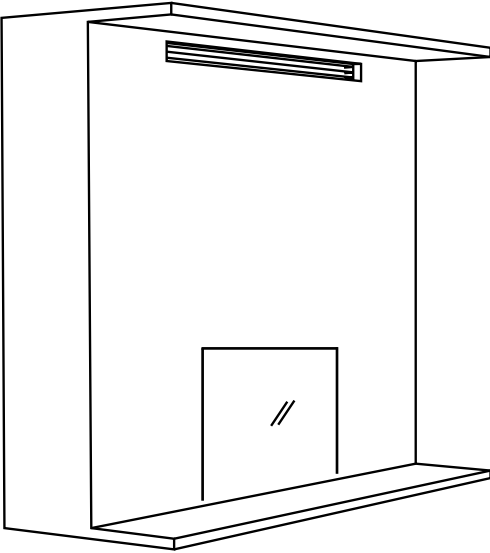


Chase Venting (Cool Wall)

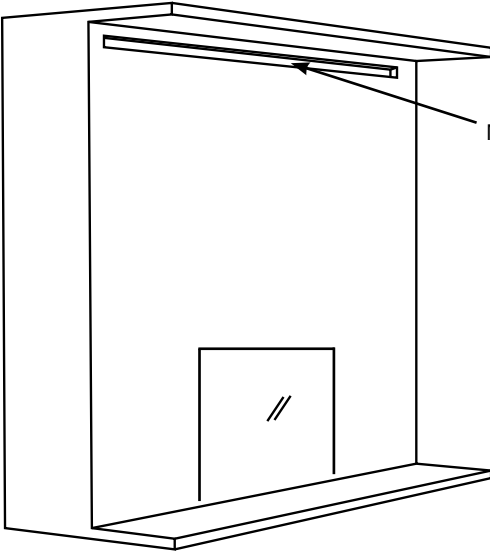
Note: The enclosure opening cannot be any lower than 1-1/2" from the top of the enclosure for all installations. Minimum height of enclosure from base of appliance is 88" (2235 mm). See details on next page.

A minimum 180 sq. in opening in the enclosure is required to maintain safe operating temperatures. This can be achieved in a number of ways including the examples shown below.

Warning: DO NOT cover or place objects in front of the air outlet(s).

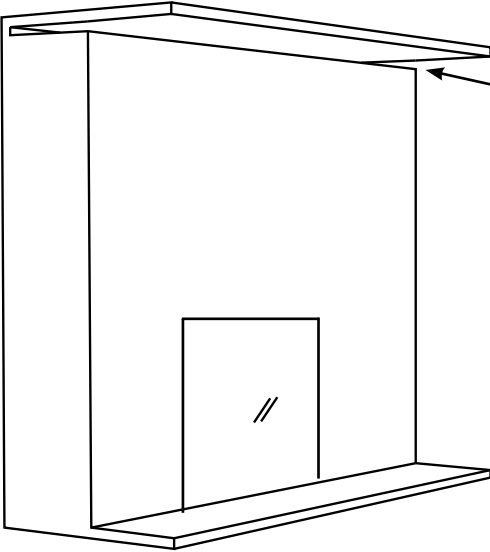


Regency Chase Vent



Minimum Opening Height of 2" (51 mm)

Custom chase vent



Minimum Opening Height of 2" (51 mm)

Reveal at the chase top

installation

Chase Enclosure (Cool Wall)

When choosing to install the ventilation openings from the front, the top of the ventilation opening cannot be any lower than 1-1/2" (38mm) from the top of the chase enclosure for all installations.

Minimum height of enclosure from base of appliance is 88" (2235 mm).

A minimum 180 sq. in opening in the enclosure is required to maintain safe operating temperatures. This can be achieved in a number of ways including the examples shown in this manual.

IMPORTANT:

Exterior wall/Alcove enclosure: When installing into an exterior cavity or alcove enclosure (ceiling, back and sides), regardless of where appliance is placed within the home, requires the use of either drywall or other means such as plywood, wood studs, etc. to prevent heat from escaping anywhere above /through the enclosure other than the required grill/ventilation opening.

Internal chase: When installing as an internal chase framing installation, regardless of where appliance is placed within the home, requires the use of either drywall or other means such as plywood, on the rear wall of the chase to eliminate heat escaping into the rear wall cavity. If the chase is extended to the ceiling, the ceiling will also need to be finished in a manner to prevent heat escaping into floor joist/attic space.

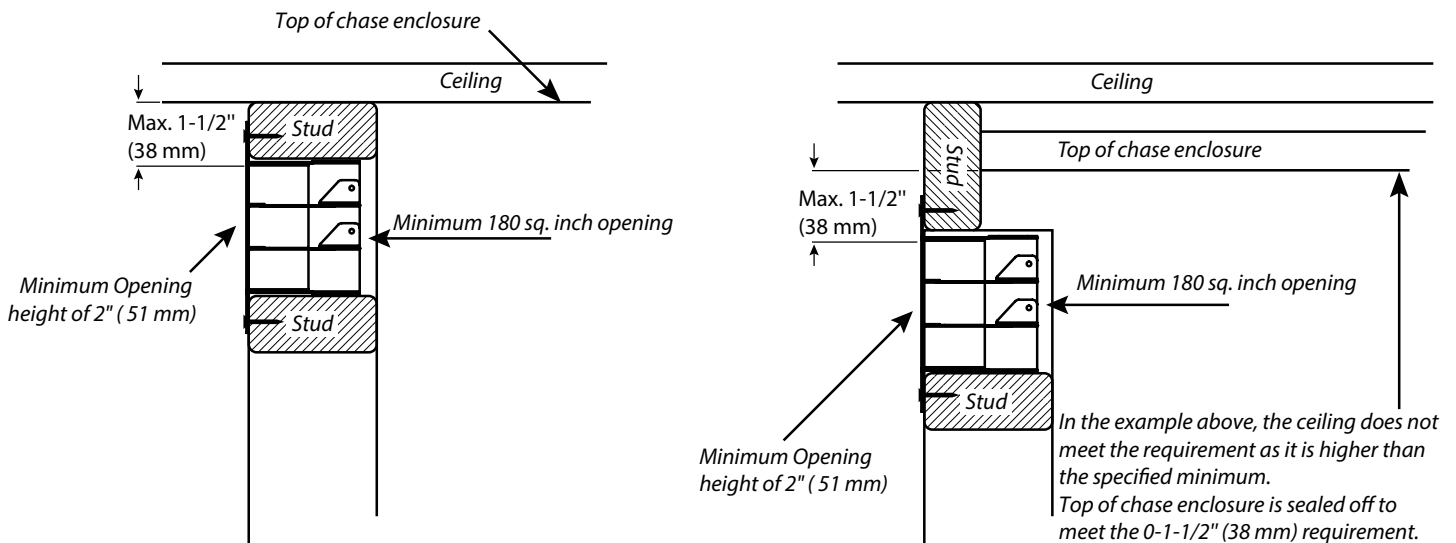
One of the following methods must be used to prevent the heat from escaping.

- If choosing drywall, ensure that the drywall is butt up tight with no gaps.
- Plywood, wood studs, etc. installed tightly with no gaps.

As this appliance has been designed with all hot air escaping through the chase enclosure ventilation/grill openings only, if hot air is trapped as a result of the hot air escaping through joints, crevasses, open studs, or other openings within the enclosure above, this will change the clearances within the enclosure causing the enclosure to overheat. It is vital that all the hot air from within the enclosure exits through the ventilation openings only.

Ensure that the ventilation openings are made as such to prevent debris, objects from falling into the enclosure.

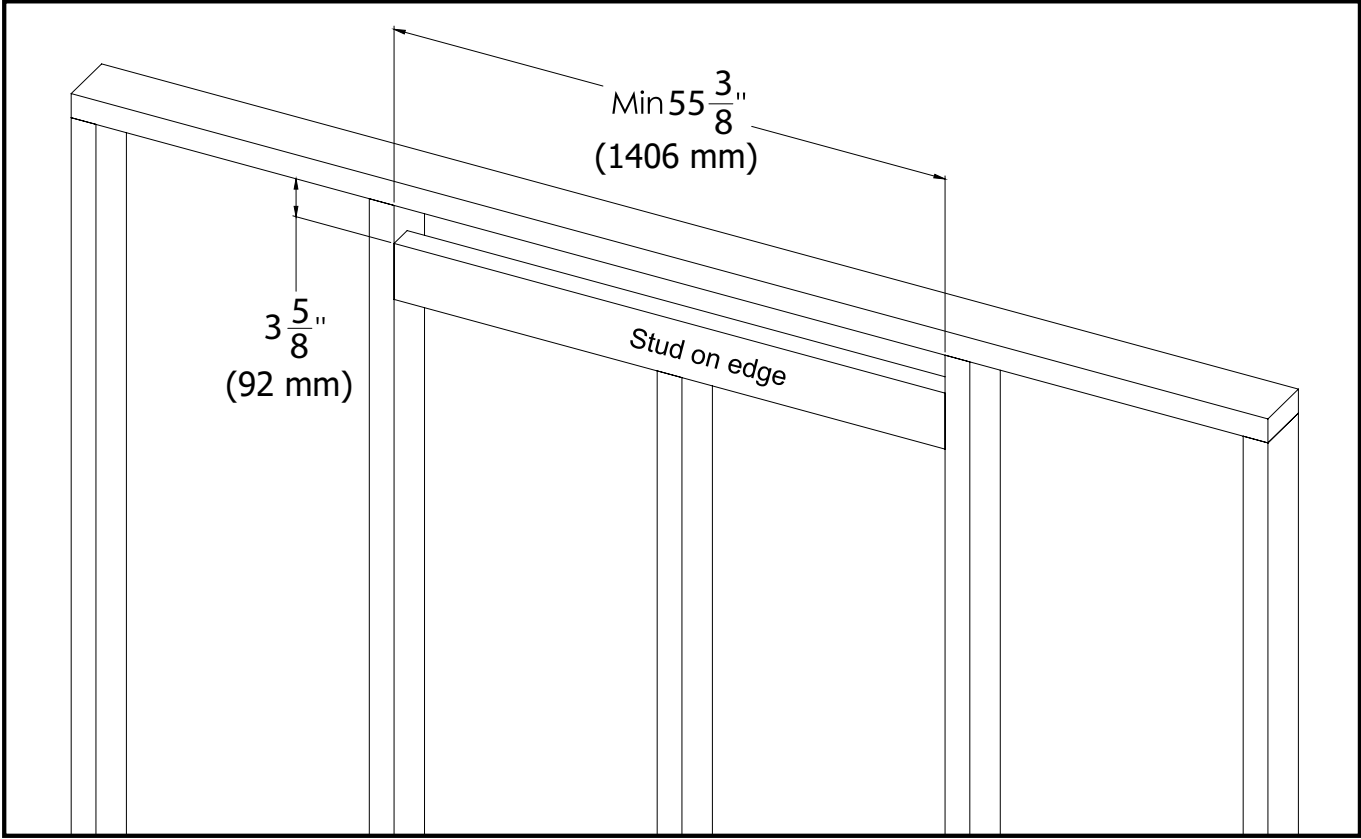
Warning: DO NOT cover or place objects in front of the ventilation opening air outlet(s).



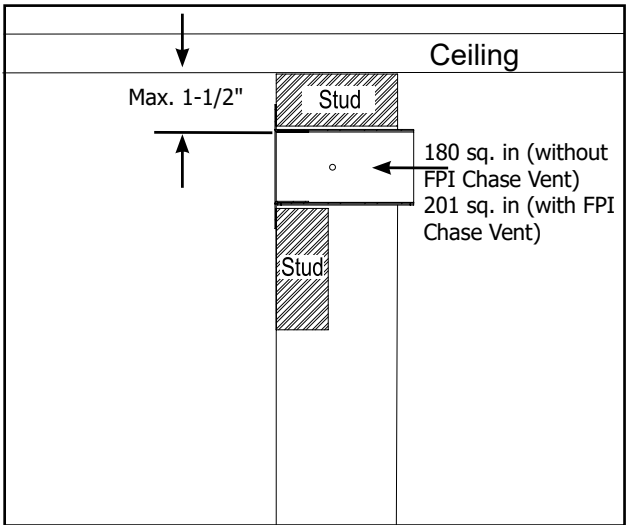
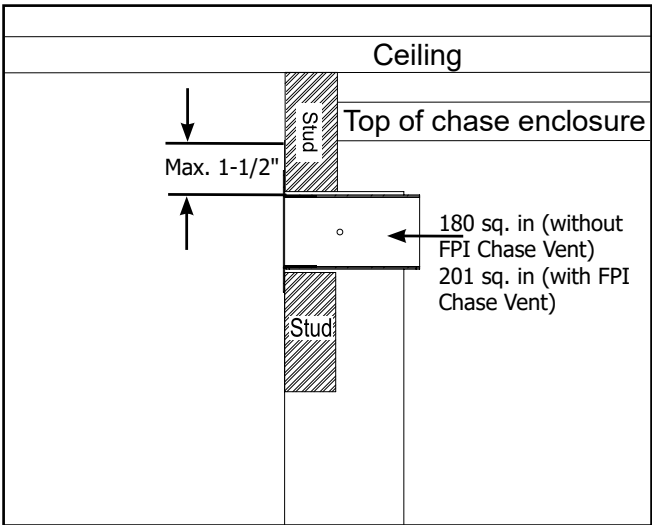
Chase Vent Installation—Cool Wall (Part # 796 -991 Chase Vent White)

Framed Opening must be at least 3-5/8" tall, and at least 55-3/8" wide to accommodate the Chase vent. The top of the Chase vent opening must be 1-1/2" or less from the top of the chase enclosure. Fasten the Chase vent with screws and construction adhesive.

If the chase vent is not being used, a minimum 180 sq. inch opening in the enclosure is required to maintain safe operating temperatures. This can be achieved in a number of ways including a reveal at the top of the chase.



Side View



* In the example above, the ceiling does not meet the requirement as it is higher than the specified minimum. Top of chase enclosure is sealed off to meet the 1-1/2" requirement.

installation

Non Cool Wall - Clearances

Non Cool Wall installation: Non-combustible required when installing materials right to the fireplace opening & no chase vent with this option.

The clearances listed below are minimum distances unless otherwise stated:

A major cause of chimney related fires is failure to maintain required clearances (air space) to combustible materials. It is of the greatest importance that this fireplace and vent system be installed only in accordance with these instructions.

Caution Requirements

The top, back and sides of the fireplace are defined by standoffs. The metal ends of the standoff may **NOT** be recessed into combustible construction.

WARNING

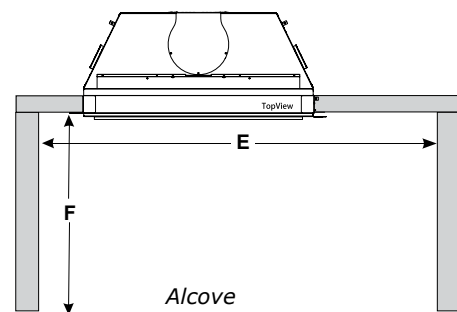
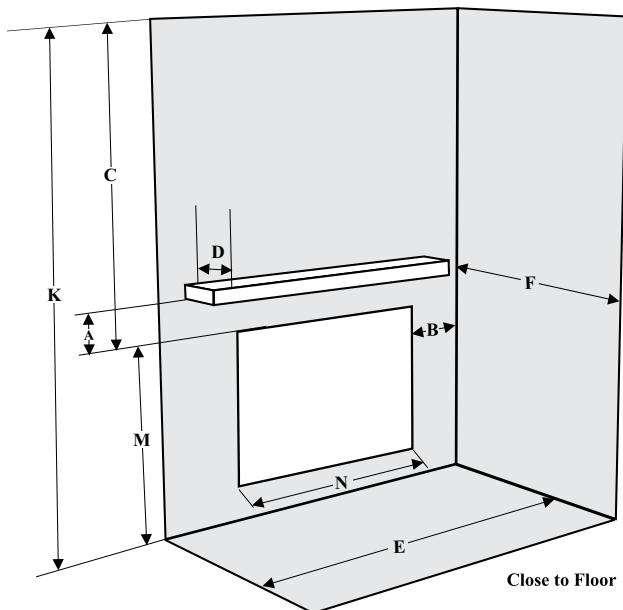
Fire hazard is an extreme risk if these clearances (air space) to combustible materials are not adhered to. It is of greatest importance that this fireplace and vent system be installed only in accordance with these instructions.

G1200P Clearance Requirements

Clearance:	Dimension	Measured From:
A: Mantel Height (min.)	25" (635 mm)	Top of Fireplace Opening
B: Sidewall	18" (457 mm)	Side of Fireplace Opening
C: Ceiling	53" (1346 mm)	Top of Fireplace Opening
D: Mantel Depth (max.)	12" (305 mm)	Front of Fireplace Opening
E: Alcove Width	84" (2134 mm)	Wall to Wall (Minimum)
F: Alcove Depth	36" (914 mm)	Front to Back Wall (Maximum)
K: Chase Enclosure Ceiling (Min.)	96" (2438 mm)	From Base of Appliance Floor
M: Reference Dimension Only	37" (940 mm)	From Fireplace Base To Top Of Fireplace Opening/Lip
N: Reference Dimension Only	41-3/4" (1060 mm)	From Fireplace Opening/Lip
Notes: No Hearth Required	0"	From below leveling legs.

IMPORTANT: The clearances noted are greater than for the cool wall so pay close attention.

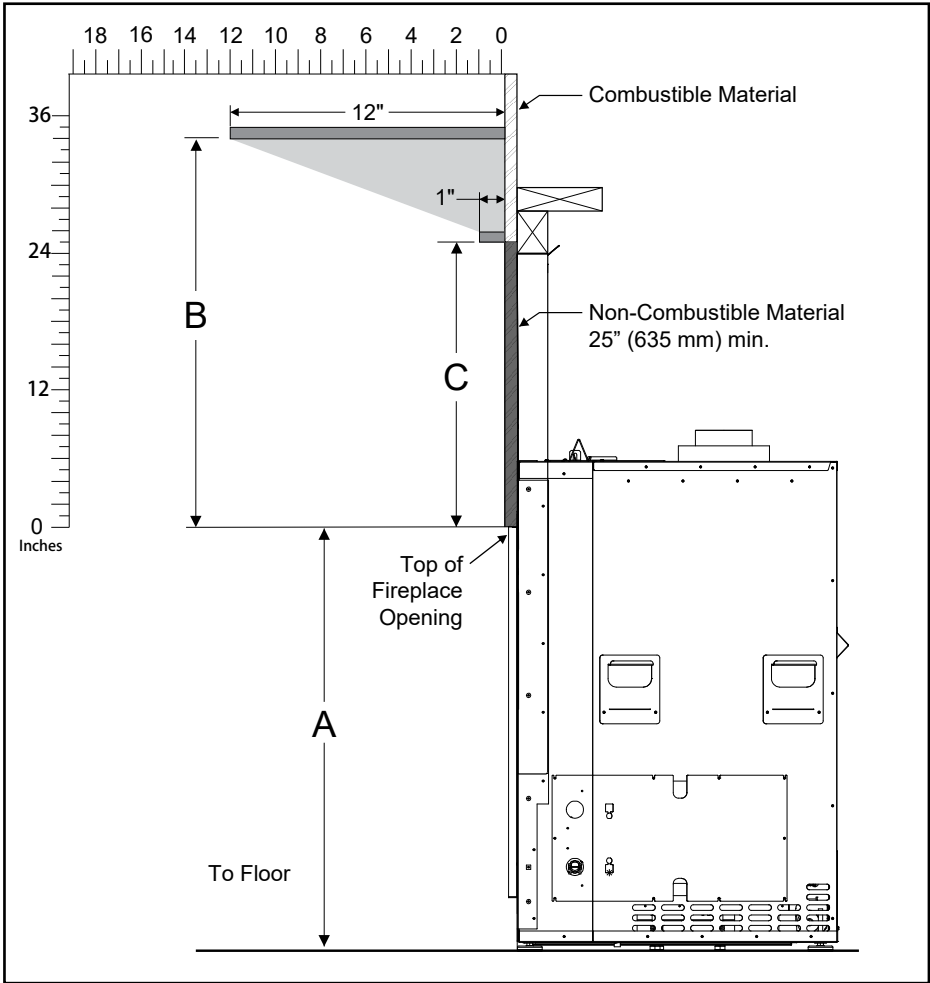
Note: If installing a hearth in front of the appliance see Hearth installation section in this manual for full details.
Note : If a TV is installed above the appliance with the non cool wall option, the TV must be protected by either a mantle or heat deflector. The mantle or heat deflector must overhang the front and both sides of the TV by a minimum of 2" (51 mm). Follow mantle clearance chart for proper installation height of TV & TV mounting bracket. If installing a heat deflector, follow the same clearance requirements as the mantle.



Non Cool Wall - Mantel Clearances

Due to the extreme heat this fireplace emits, the mantel clearances are critical. Combustible mantel clearances from top of front facing are shown in the Diagram on the right.

Note: Ensure the paint that is used on the mantel and the facing is "High Quality" or the paint may discolour.



Mantel Clearances G1200P	*A	B	C
From Top of Fireplace Opening	37" (940 mm)	34" (864 mm)	25" (635 mm)

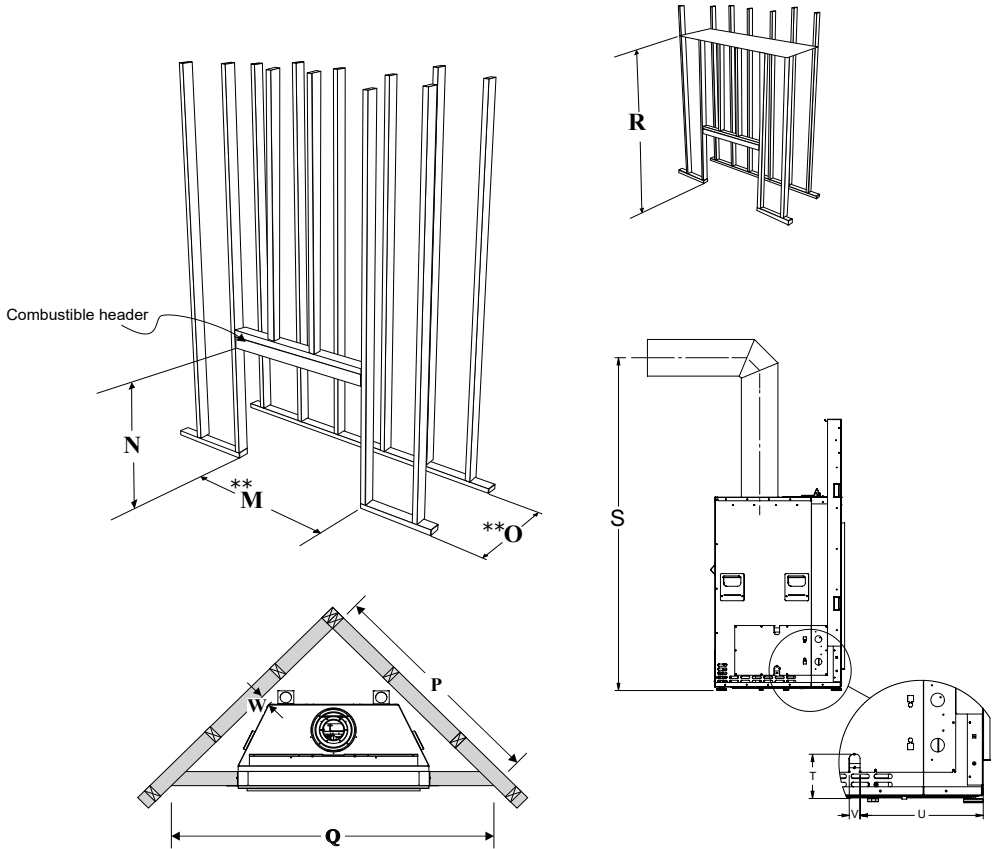
*Measurement is taken from base of fireplace to top of fireplace opening/lip.

Framing (Non Cool Wall)

NOTE: Framing may be constructed of combustible material (i.e. 2 x 4/2 x 6) and does not require steel studs.

Framing Dimensions	Description	G1200P - Non Cool Wall
M	Framing Width	57-1/4" (1454 mm)
N*	Framing Height	60-1/4" (1530 mm)
O	Framing Depth	29" (737 mm)
P	Corner Facing Wall Width	70-1/2" (1791 mm)
Q	Corner Facing Wall Width	99-3/4" (2534 mm)
R	Framed Chase Ceiling	96" (2438 mm)
S	Vent Centerline Height	75-1/2" (1918 mm)
T	Gas Connection Height	4-7/8" (124 mm)
U	Gas Connection Inset	13 3/4" (349 mm)
V	Gas Connection Width	1-1/4" (32 mm)
W	Clearance to corner of unit	1" (25 mm)

*** Important: Framing height requires consideration of the hearth height. Dimension N = Height taken from bottom of leveling legs.**
Note: Standoffs required in all installations.



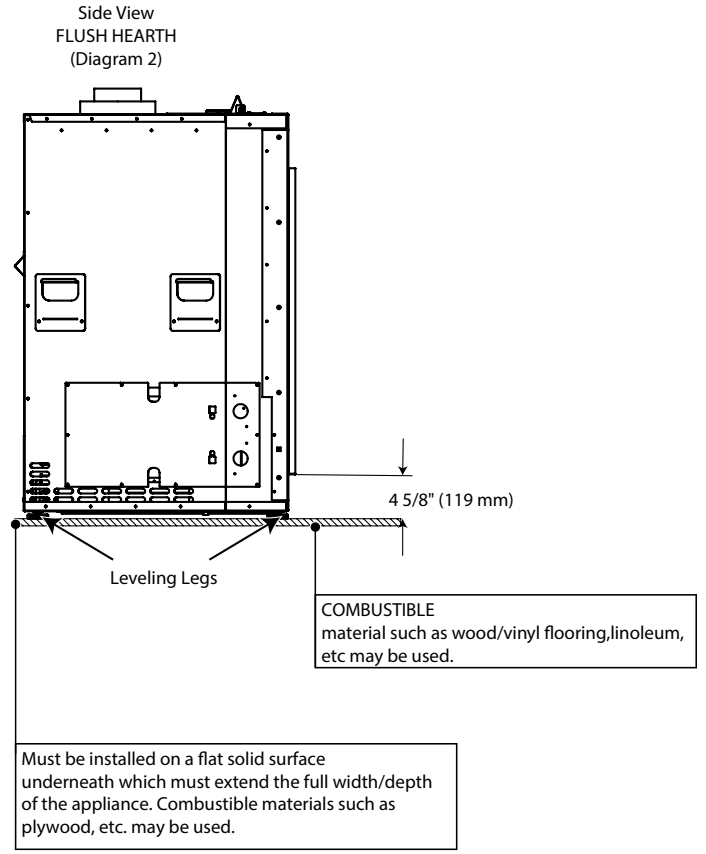
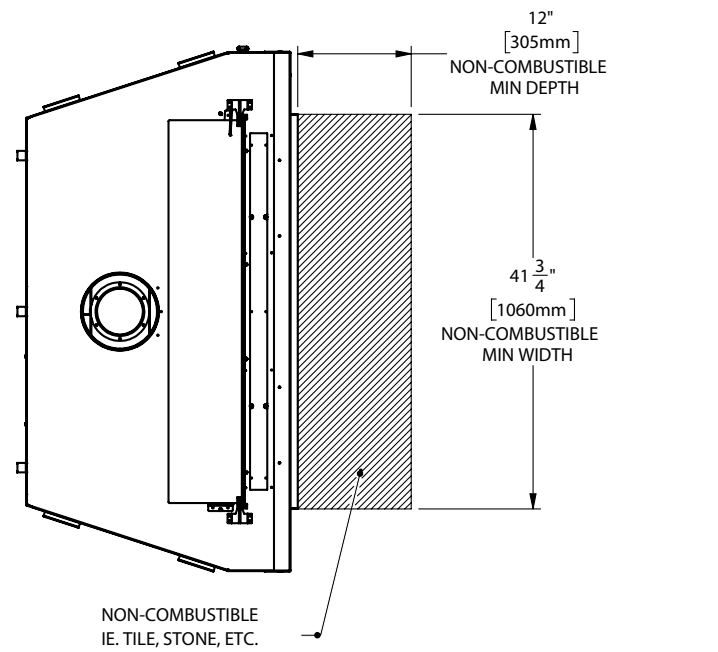
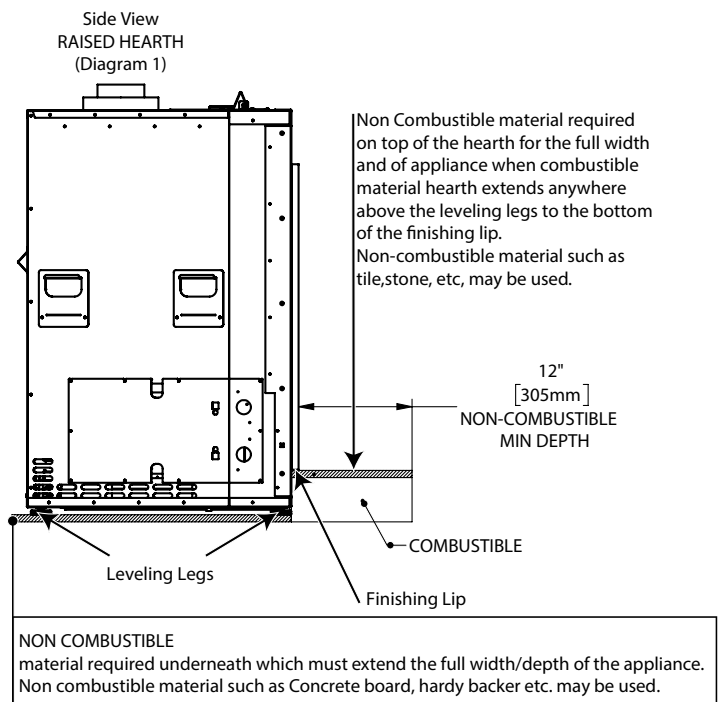
**The framing depth/width does not take into account dry wall/wood or similar materials against the back /side wall. The framing depth will need to change based on the thickness of the material
 (example: M - 57-1/4"/1454 mm framing width + 1/2" drywall x 2 Both Sides = 58-1/4"/1479 mm)
 (example: O - 29"/737 mm framing depth + 1/2" drywall = 29-1/2"/749 mm)

installation

Hearth Installation (Cool Wall/Non Cool Wall)

Raised Hearth: If any combustible material extends above the bottom of the leveling legs, non combustible material such as tile, stone etc. must be used to act as a barrier. Combustible material cannot be exposed for the full width & depth of the hearth. See diagrams 1 & 3

Flush hearth / Finished Floor: Combustible Materials such material such as wood/vinyl flooring, linoleum, etc. may be used. Materials must be below leveling legs as shown in diagram 2.



Finishing Material Installation - Cool Wall/Non Cool Wall

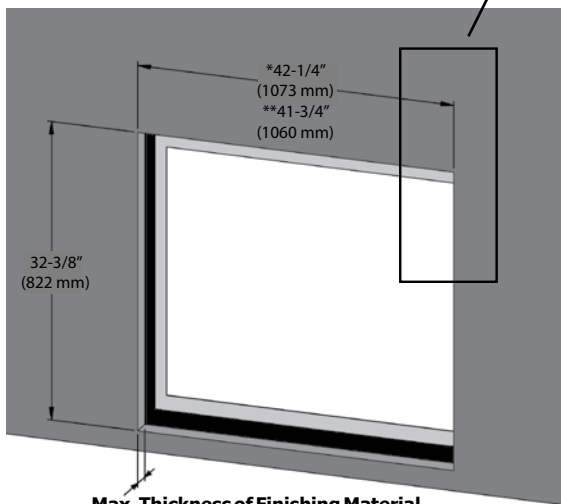
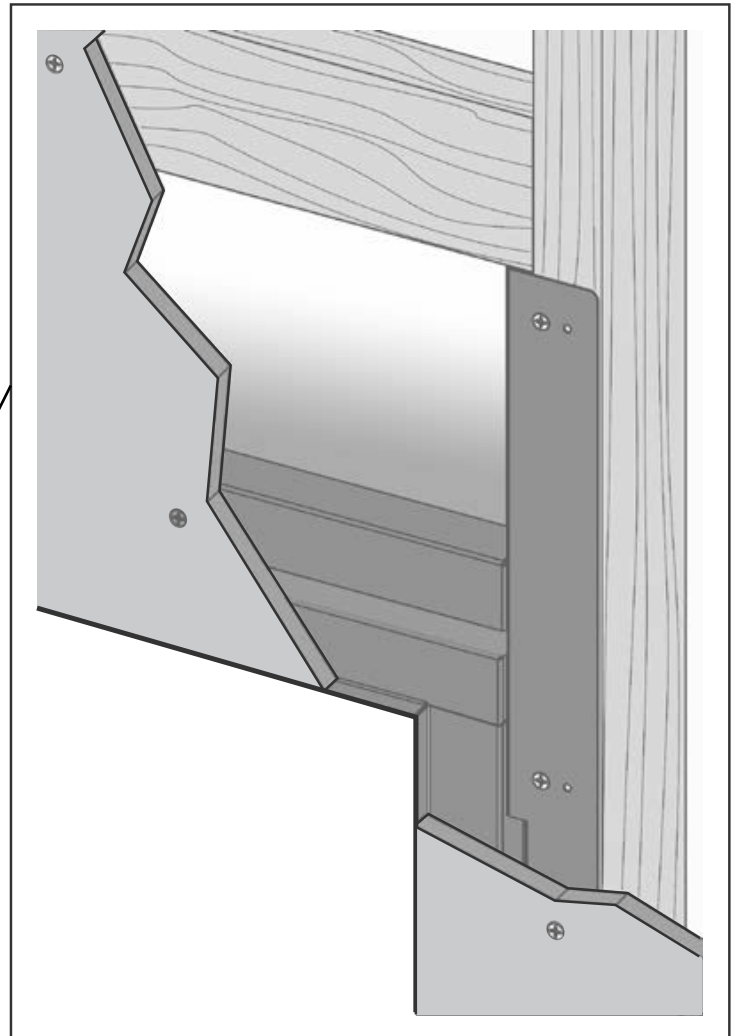
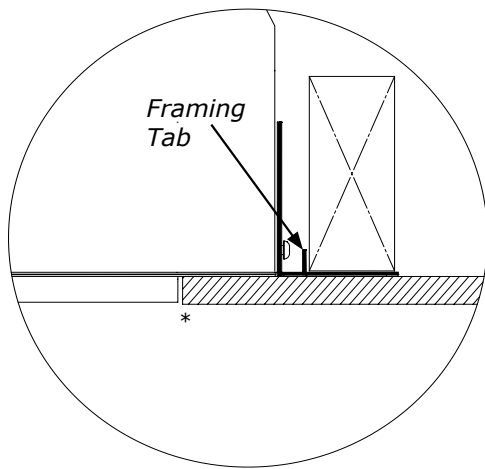
The finishing material can be brought to the edge of the fireplace opening.

Do NOT finish beyond the opening, doing so will prevent the screen or glass front from being attached and removed.

IMPORTANT: Ensure that if this is a non cool wall application, only non combustible material is used. See manual for details.

Nailing Flange Instructions

1. Bend framing tabs 90° backward to create the framing standoff.



Max. Thickness of Finishing Material
Cool Wall
 - 3/4" (19 mm) without finishing trim
 - 1-1/4" (32 mm) with finishing trim
Non-Cool Wall
 - 3-1/2" (89 mm)

See pages 72 & 73 for optional 3 or 4 sided Finishing Trim Installation.

*A 1/4" (6 mm) gap must be maintained on both sides of the fireplace to allow the optional 3 or 4-sided finishing trim to be installed and removed.

**If not using the optional 3/4 sided finishing trim.

installation

Wall Board/Drywall/Non Combustible Board Installation G1200P (Cool Wall/Non Cool Wall)

WARNING! Risk of Fire! Comply with all minimum clearances to combustibles as specified.

Finishing Instructions:

It is important to follow the framing and finishing instructions to ensure proper placement of fireplace into the surrounding framing/finishing materials. Wall board materials 1/2 in. thick are specified in this installation manual to properly align with the optional finishing methods offered with this appliance. The G1200P may be finished to the appliance opening with 1/2 inch thick drywall or non combustible material depending on the application and requirements (Cool Wall / Non Cool Wall).

- Ensure that the back and side clearances are maintained.

WARNING! Risk of Fire! Maintain specified air space clearances to combustibles. Inadequate air space could cause overheating and fire.

The appliance is designed to be used with 1/2 in. wall sheathing materials such as drywall, plywood, wood composites, or non-combustible materials. Thicker materials may be used. Refer to facing and finishing details in this manual.

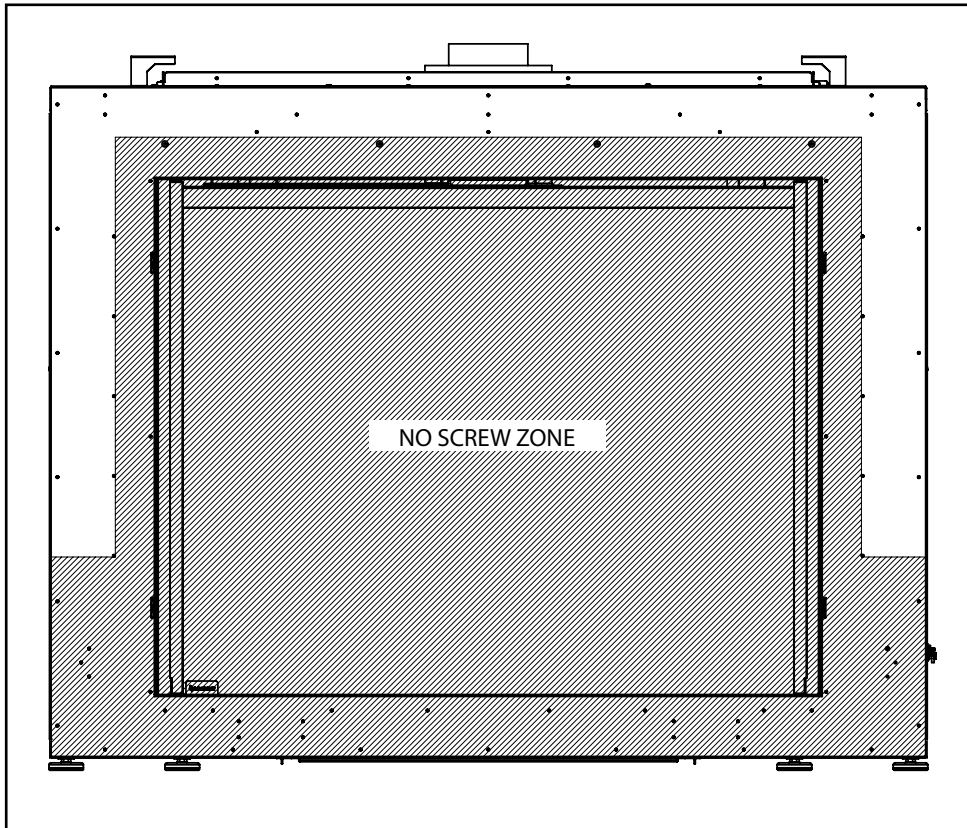
Facing Material

- Facing and/or finishing materials must never overhang into the glass opening.
- Facing materials may be combustible (Cool Wall applications only) or non-combustible (Cool Wall or Non Cool Wall applications).

WARNING! Risk of Fire! DO NOT apply combustible materials beyond the minimum clearances. Comply with all minimum clearances to combustibles as specified in this manual. Overlapping materials could ignite and will interfere with proper operation.

PAINTING

If desired finishing includes a painted wall, 100% acrylic latex, oil-based or standard acrylic paints may be used. Follow paint manufacturer's instructions for paint and primer application.



IMPORTANT : No screw zones (in shaded areas) as shown above must be adhered to. Screws should only penetrate the metal front a maximum 1/2" (13 mm) where screws are permitted.

Vent Restrictor Installation

1. Determine the venting configuration.

Note: The factory setting is Set 7: 3-1/2" (89 mm) open.

2. Go to venting arrangements section (in the manual) to determine if a vent restrictor adjustment is required. (If required, proceed to Step 3).
3. Remove the two screws which secure each restrictor.
4. Align the vent restrictor plate to the required vent restrictor position as per the Diagrams shown.
5. Once the vent restrictor plates are in the required position, secure with the screws removed in step 3.

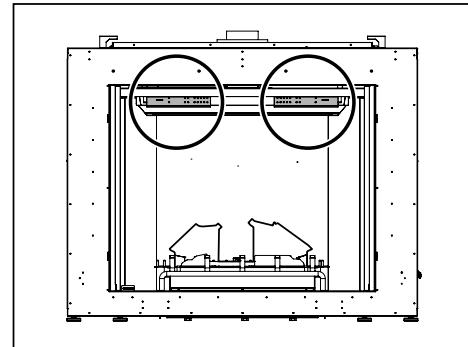


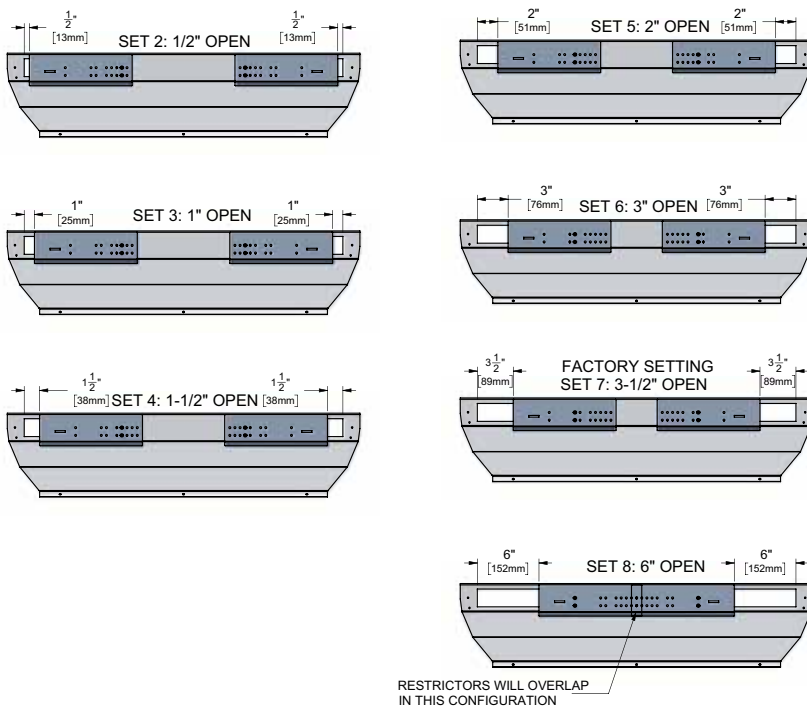
Diagram 1: Vent Restrictor Location

Venting Introduction

The G1200P uses the "balanced flue" technology Co-Axial system. The inner liner vents products of combustion to the outside while the outer liner draws outside combustion air into the combustion chamber thereby eliminating the need to use heated room air for combustion and losing warm room air up the chimney.

Note: These flue pipes must not be connected to any other appliance.

The gas appliance and vent system must be vented directly to the outside of the building, and never be attached to a chimney serving a separate solid fuel or gas burning appliance. Each direct vent gas appliance must use its own separate vent system. Common vent systems are prohibited.



installation

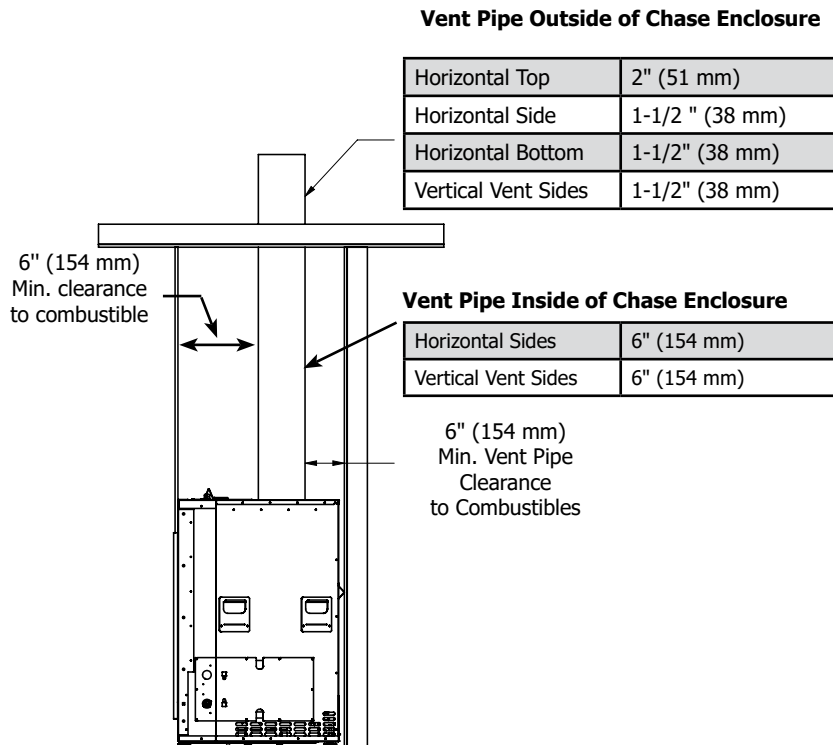
Cool Wall - Non Cool Wall Vent Pipe Clearances - Outside/Inside of Chase Enclosure

This page notes all vent pipe clearances for both outside and inside of the chase enclosure. The clearances are different for both outside and inside of the chase enclosure and must be adhered to and is critical.

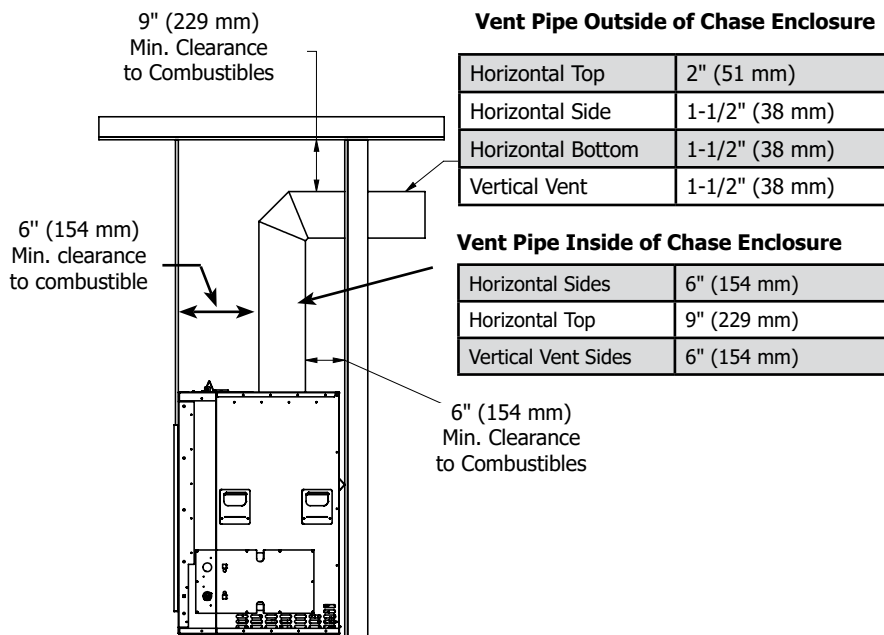
A major cause of chimney related fires is failure to maintain required clearances (air space) to combustible materials. It is of the greatest importance that this fireplace and vent system be installed only in accordance with these instructions.

Clearances noted below must be maintained; except when passing through a wall, ceiling or at the termination where the use of a firestop or wall thimble reduces clearance to 1-1/2" (38mm).

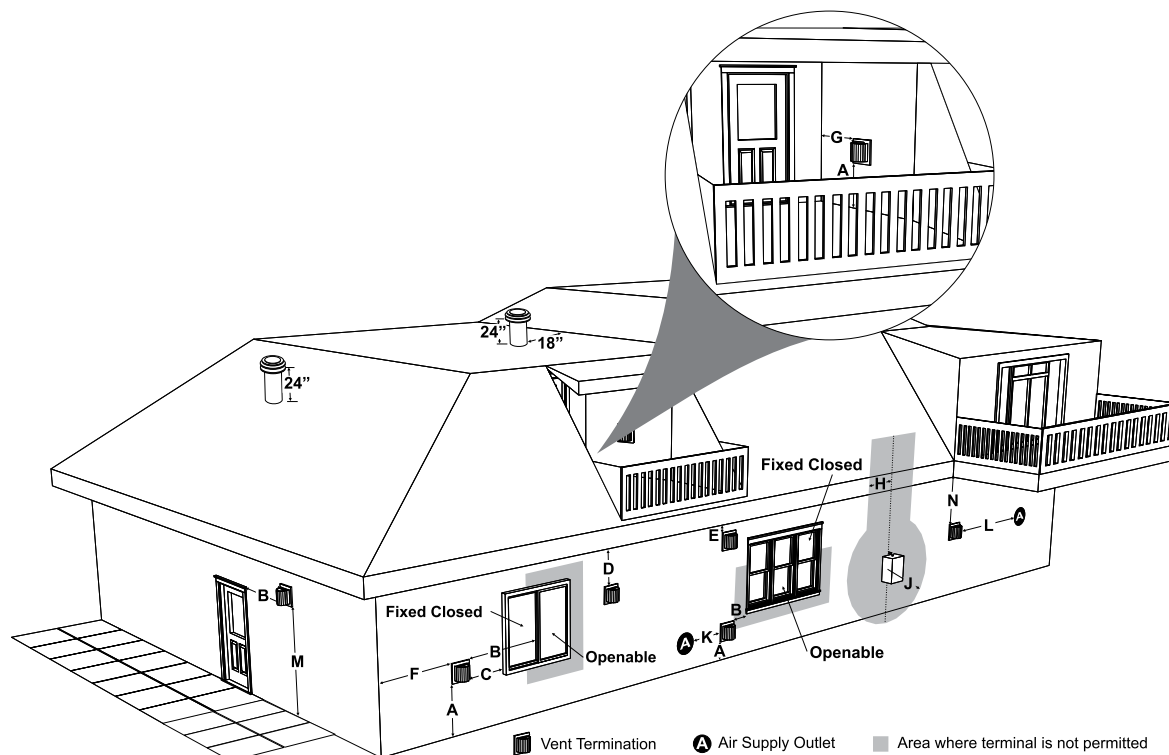
Minimum Vent Pipe Clearances to Combustible With Vent Pipe Exiting Vertically



Minimum Vent Clearances to Combustible With Vent Pipe Exiting Horizontally



Exterior Vent Termination Requirements



Minimum Clearance Requirements		Canada ¹	USA ²
A	Clearance above grade, veranda, porch, deck, or balcony	12"(30cm)	12"(30cm)
B	Clearance to window or door that may be opened	12"(30cm)	9" (23cm)
C	Clearance to permanently closed window	*	*
D	Vertical clearance to ventilated soffit located above the terminal within a horizontal distance of 2 feet (61cm) from the center line of the terminal (check with the local code)	29"(74cm) AstroCap/All Other Approved Termination Caps 24"(60cm) DuraVent Only	29"(74cm) AstroCap/All Other Approved Termination Caps 24"(60cm) DuraVent Only
E	Clearance to unventilated soffit	29"(74cm) AstroCap/All Other Approved Termination Caps 24"(60cm) DuraVent Only	29"(74cm) AstroCap/All Other Approved Termination Caps 24"(60cm) DuraVent Only
F	Clearance to outside corner: with AstroCap Termination Cap.	13"(33cm)	13"(33cm)
	Clearance to outside corner: with all other approved Termination Caps.	13"(33cm)	13"(33cm)
G	Clearance to inside corner: with AstroCap Termination Cap	11"(28cm)	11"(28cm)
	Clearance to inside corner: with all other approved Termination Caps.	11"(28cm)	11"(28cm)
H	Clearance to each side of center line extended above meter/regulator assembly	36"(90cm) ^a	*
J	Clearance to service regulator vent outlet	36"(90cm)	*
K	Clearance to non-mechanical air supply inlet to building or the combustion air inlet to any other appliance	12"(30cm)	9" (23cm)
L	Clearance to a mechanical air supply inlet #3' (91cm) above if within 10' (3m) horizontally.	72"(1.8m)	36"(90cm) ^b
M	Clearance above paved sidewalk or a paved driveway located on public property	84"(2.1m) [†]	*
N	Clearance under veranda, porch, deck, or balcony	12"(30cm) [‡]	*

¹ In accordance with current CSA B149.1, *Natural Gas and Propane Installation Code*

² In accordance with the current ANSI Z223.1/NFPA 54, *National Fuel Gas Code*

[†] A vent shall not terminate directly above a sidewalk or paved driveway which is located between two single family dwellings and serves both dwellings

[‡] Permitted only if veranda, porch, deck, or balcony is fully open on a minimum of two sides beneath the floor

* Clearance in accordance with local installation codes and the requirements of the gas supplier

^a 3 feet (91cm) within a height of 15 feet (4.5m) above the meter / regulator assembly

^b 3 feet (91cm) above - if within 10 feet (3m) horizontally

installation

5" x 8" Rigid Pipe - Cross Reference Chart only

Components from different Manufacturers may not be mixed. Not all Rigid Pipe components are available directly from FPI.

Description	Simpson Direct Vent Pro®	*Selkirk Direct Temp™	*Metal-Fab™ Sure Seal	*ICC Excel Direct	*Olympia Ventis DV
6" Pipe Length-Galvanized	58DVA-06	5DT-6	5D6	TC-5DL6	VDV-0506
6" Pipe Length-Black	58DVA-06B	5DT-6B	5D6B	TC-5DL6B	VDVB-0506
9" Pipe Length-Galvanized	58DVA-09	5DT-9	N/A	TC-5DL9	VDV-0509
9" Pipe Length-Black	58DVA-09B	5DT-9B	N/A	TC-5DL9B	VDVB-0509
12" Pipe Length-Galvanized	58DVA-12	5DT-12	5D12	TC-5DL1	VDV-0512
12" Pipe Length-Black	58DVA-12B	5DT-12B	5D12B	TC-5DL1B	VDVB-0512
18" Pipe Length-Galvanized	58DVA-18	5DT-18	5D18	TC-5DL18	VDV-0518
18" Pipe Length-Black	58DVA-18B *	5DT-18B	5D18B	TC-5DL18B	VDVB-0518
24" Pipe Length-Galvanized	58DVA-24	5DT-24	5D24	TC-5DL2	VDV-0524
24" Pipe Length-Black	58DVA-24B	5DT-24B	5D24B	TC-4DL2B	VDVB-0524
36" Pipe Length-Galvanized	58DVA-36	5DT-36	5D36	TC-5DL3	VDV-0536
36" Pipe Length-Black	58DVA-36B	5DT-36B	5D36B	TC-5DL3B	VDVB-0536
48" Pipe Length-Galvanized	58DVA-48	5DT-48	5D48	TC-5DL4	N/A
48" Pipe Length-Black	58DVA-48B	5DT-48B	5D48B	TC-5DL4B	N/A
60" Pipe Length-Galvanized	58DVA-60	N/A	N/A	N/A	N/A
60" Pipe Length-Black	58DVA-60B *	N/A	N/A	N/A	N/A

Adjustable Length 3"-10"-Galvanized	N/A	N/A	5DAL	TC-5DLT	N/A
Adjustable Length 3"-10"-Black	N/A	N/A	5DALB	TC-5DLTB	N/A
Adjustable Length 11"-14" -Galvanized	Disc. - See 58DV-08A	5DT-AJ	N/A	N/A	N/A
Adjustable Length 11"-14" -Black	Disc. - See 58DV-08B	5DT-AJB	N/A	N/A	N/A
Extension Pipe 17"-24" -Galvanized	Disc. - See 58DV-16A	N/A	N/A	N/A	N/A
Extension Pipe 17"-24" -Black	Disc. - See 58DV-16AB	N/A	N/A	N/A	N/A
Adjustable Length 8-1/2"-Galvanized	58DVA-08A*	N/A	N/A	N/A	N/A
Adjustable Length 8-1/2"-Black	58DVA-08AB	N/A	N/A	N/A	N/A
Extension Pipe 16"-Galvanized	58DVA-16A *	N/A	N/A	N/A	N/A

45° Elbow-Galvanized	58DVA-E45	5DT-EL45	5DT-EL45	TE-5DE45	VDV-EL0545
45° Elbow-Black	58DVA-E45B	5DT-EL45B	5DT-EL45B	TE-5DE45B	VDVB-EL0545
45° Elbow Swivel-Galvanized	Disc. - See 58DVA-E45	N/A	N/A	N/A	N/A
45° Elbow Swivel-Black	Disc.-See 58DVA-E45B	N/A	N/A	N/A	N/A
90° Elbow-Galvanized	58DVA-E90	5DT-EL90S	5DT-EL90S	TE-5DE90	VDV-EL0590
90° Elbow-Black	58DVA-E90B	5DT-EL90SB	5DT-EL90SB	TE-5DE90B	VDV-EL0590
90° Elbow, Swivel-Galvanized	Disc. - See 46DVA-E45	N/A	N/A	N/A	N/A
90° Elbow, Swivel-Black	Disc. - See 46DVA-E45	N/A	N/A	N/A	N/A
90° Starter Elbow, Swivel-Galvanized	N/A	N/A	N/A	N/A	N/A
Adaptor*	N/A	N/A	N/A	N/A	VDV-UAA05

Ceiling Support	58DVA-DC	5DT-CS	5DSP	TM-5RDS	VDV-CSR05
Cathedral Support Box	58DVA-CS	5DT-CSS	5DRS	TM-5SS	DV-CSS05
Wall Support/Band	58DVA-WS	5DT-WS/B	5DWS	TM-5WS	VDV-WS05
Offset Support	58DVA-ES*	5DT-OS	N/A	TM-5OS	N/A
Wall Thimble-Black	58DVA-WT	5DT-WT	5DWT	N/A	VDV-WPT05
Wall Thimble Support/Ceiling Support	58DVA-DC*	N/A	N/A	N/A	N/A
Firestop Spacer	58DVA-FS	5DT-FS	5DFS	TM-5LS	VDV-FS05
Trim Plate-Black	58DAV-WFS	5DT-TP	5DCP	TM-5TP	VDV-WTC05

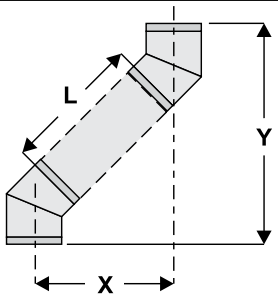
* Not available from Regency

Description	Simpson Direct Vent Pro®	*Selkirk Direct Temp™	*Metal-Fab™ Sure Seal	*ICC Excel Direct	*Olympia Ventis DV
Attic Insulation Shield 12"	58DVA-IS*	N/A	N/A	N/A	VDV-AIS05
Basic Horizontal Termination Kit (A)	N/A	5DT-HKA	N/A	TM-5HTK	VDV-KW05
Horizontal Termination Kit (B)	58DVA-KHA	5DT-HKB	N/A	TM-5HTK	VDV-K05
Vertical Termination Kit	58DVA-VHA	5DT-VKC	N/A	N/A	N/A
High Wind Vertical Cap	58DVA-VCH	N/A	N/A	TM-5VT	VDV-VCH05
High Wind Horizontal Cap	N/A	N/A	N/A	N/A	N/A
Horizontal Square Termination Cap	58DVA-HC	5DT-HHC	5DHT	N/A	VDV-HC05
Vertical Termination Cap	N/A	5DT-HVC	5DVT	N/A	N/A
Storm Collar	58DVA-SC	5DT-SC	5DSC	TM-SC	VDV-SC05
Adjustable Flashing 0/12-6/12	58DVA-F6	5DT-AF6	5DF	TF-5FA	VDV-F0506
Adjustable Flashing 6/12-12/12	58DVA-F12	5DT-AF12	5DF1-2	TF-5FB	VDV-F0512
Vinyl Siding Standoff	58DVA-VSS	5DT-VS	5DVS	TM-VSS	VDV-SSO
Vinyl Siding Shield Plate	N/A	5DT-VSP	N/A	N/A	N/A
Snorkel Termination 14"	58DVA-SNK14	N/A	N/A	TM-5ST14	N/A
Snorkel Termination 36"	58DVA-SNK36*	N/A	N/A	TM-5ST36	N/A
Restrictor Disk	N/A	N/A	N/A	N/A	N/A
Colinear Flex Connectors	N/A	N/A	N/A	N/A	N/A

* Not available from Regency

FPI			
946-604/P	Simpson Direct Vent or Astro Cap -Vent Guard (Optional)	946-623/P	AstroCap XL Horizontal Cap
770-994	Rigid Pipe Adaptor (Must use with all rigid piping)		
**946-606	Starter collar reducer 5" x 8" to 4" x 6-5/8" (B36XTE, B36XTCE ONLY)	946-625	Vinyl Siding Standoff - AstroCap XL

Note: When using Metal-Fab Sure Seal Rigid Piping - please note that the Adaptor (5DDA) must be used in conjunction with FPI Rigid Pipe Adaptor (770-994).

Offset Pipe Selection: Use this table to determine offset pipe lengths.				
Pipe Length (L)	5" x 8" Venting			For specific instructions on venting components - visit the manufacturers website listed below. Simpson Direct Vent Pro: www.duravent.com Selkirk Direct-Temp: www.selkirkcorp.com Metal-Fab Sure Seal: www.mtfab.com Industrial Chimney Company: www.icc-rsf.com Olympia Ventis DV: www.olympiachimney.com Note: Horizontal runs of vent must be level, or have a 1/4" rise for every 1 foot of run towards the termination. Never allow the vent to run downward - this could cause high temperatures and may present a possible fire hazard.
	Run (X)	Rise (Y)		
0" (0mm)	5-11/16" (144mm)	15-5/16" (389mm)		
6" (152mm)	8-13/16" (224mm)	18-7/16" (468mm)		
9" (229mm)	10-15/16" (278mm)	20-9/16" (522mm)		
12" (305mm)	13" (330mm)	22-11/16" (576mm)		
24" (610mm)	21-7/16" (697mm)	31-1/16" (789mm)		
36" (914mm)	29-13/16" (757mm)	39-7/16" (1002mm)		
48" (1219mm)	38-1/4" (972mm)	47-7/8" (1216mm)		

installation

Rigid Pipe Venting Systems-Basic Horizontal & Vertical Terminations

Rigid Pipe Vent Systems offer a complete line of component parts for installation of both horizontal and vertical installations. Many items are offered in decorative black, as well as galvanized finish.

The minimum components required for a basic Horizontal Termination are:

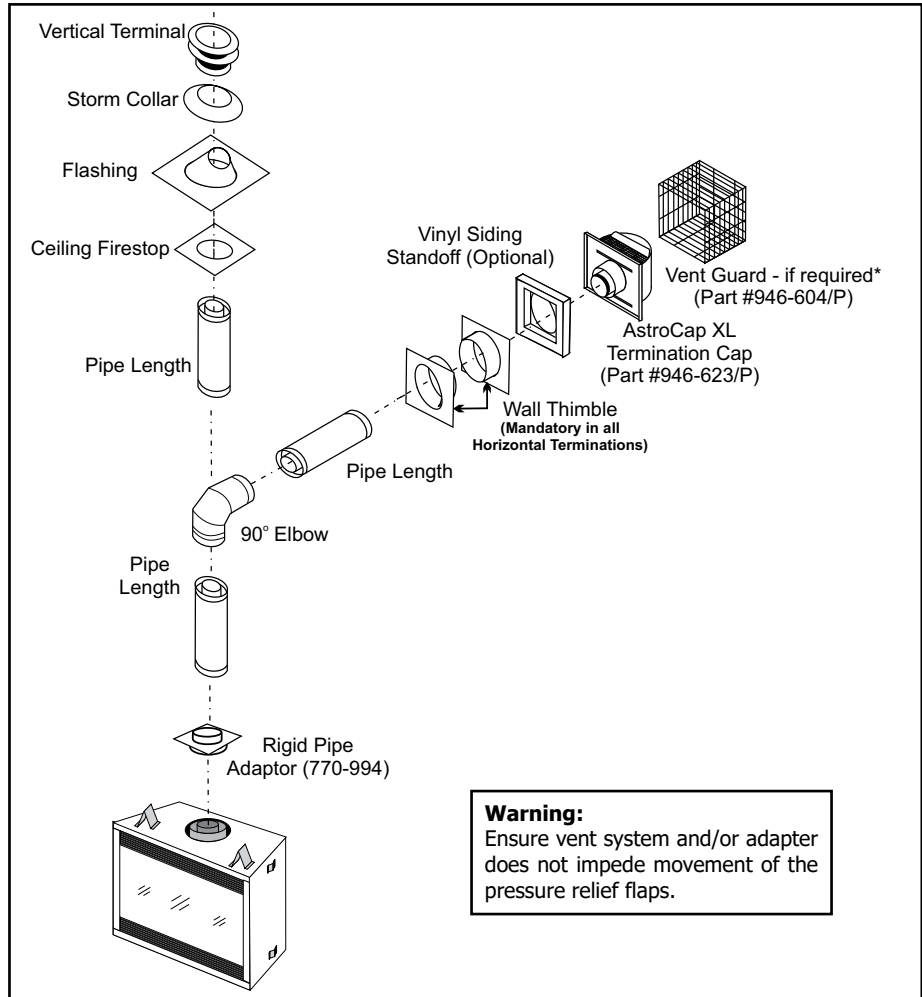
- 1 AstroCap XL Termination Cap
- 1 Vertical Pipe Length
- 1 90° Elbow
- 1 Rigid Pipe Adaptor
- 1 Wall Thimble
- 1 Length of rigid pipe to suit wall thickness

The minimum components required for a basic Vertical Termination are:

- 1 Vertical Termination Cap
- 1 Rigid Pipe Adaptor
- 1 Lengths of pipe to adequately penetrate roof
- 1 Ceiling Firestop
- 1 Flashing
- 1 Storm Collar

Wall thickness is measured from the back standoffs to the inside mounting surface of termination cap. For siding other than vinyl, furring strips may be used, instead of a vinyl siding standoff, to create a level surface to mount the vent terminal. The Terminal must not be recessed into siding. Measure the wall thickness including furring strips.

If a Vinyl Siding Standoff is required (it must be used with vinyl siding), measure to outside surface of wall without siding and add 2 inches.



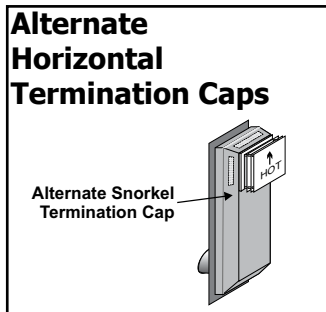
WARNING:

Do not combine venting components from different venting systems.

Exception: However, use of the the AstroCap XL™ is acceptable with all systems.

This product has been evaluated by Intertek when using a rigid pipe adaptor and use of any of the specific chimney systems listed in this manual. Use of these systems with the rigid pipe adaptor is deemed acceptable and does not affect the Intertek WHI listing of these components.

When using Rigid Vent other than Simpson Dura-Vent, 3 screws must be used to secure rigid pipe to adaptor.



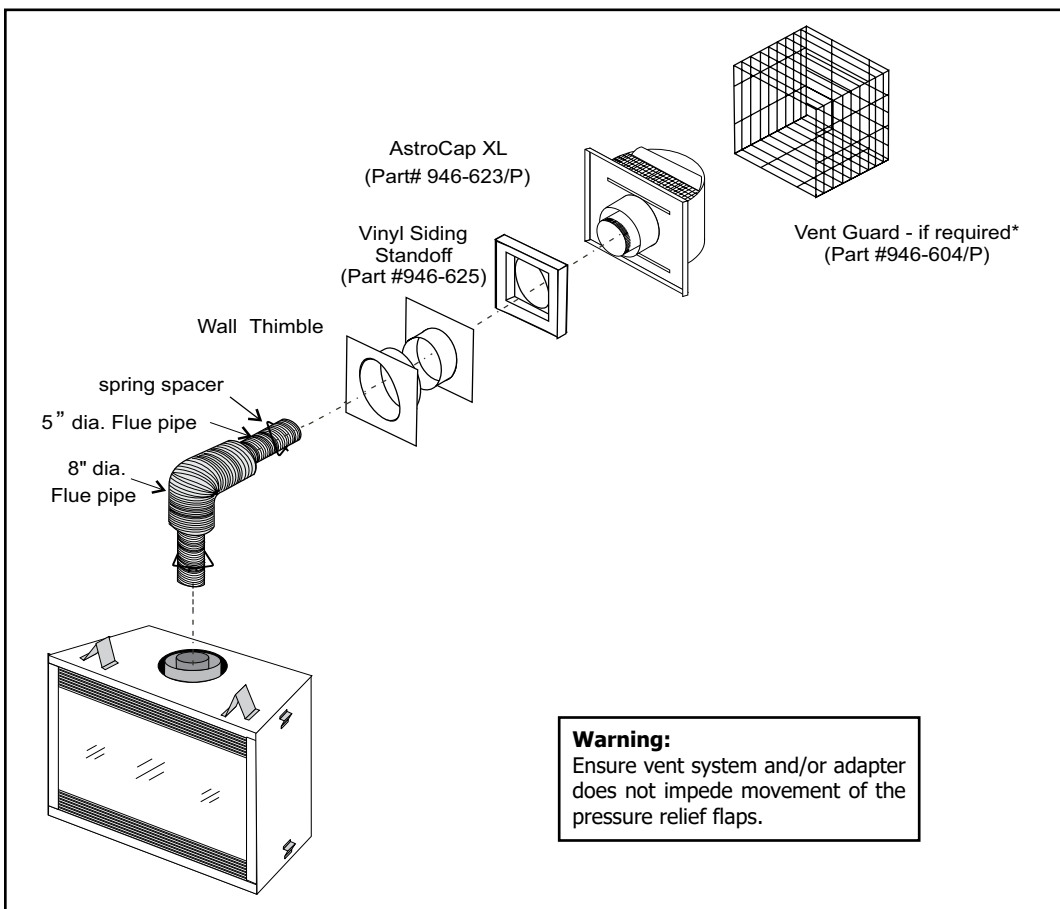
The Regency AstroCap™ is certified for installations using Regency venting systems as well as any specific chimney systems listed in this manual. AstroCap™ is a proprietary trademark of Regency Fireplace Products.

Horizontal Terminations - Flex Vent 5" x 8"

These venting systems, in combination with the G1200P Direct Vent Gas Fireplace, has been tested and listed as a direct vent heater system by Warnock Hersey. The location of the termination cap must conform to the requirements in the Vent Terminal Locations diagram in "Exterior Vent Termination Locations" section.

Regency® Direct Vent (Flex) System 4 foot Termination Kit (Part# 946-615), 6 foot Termination Kit (Part# 946-618) or 10 foot Termination Kit (Part# 946-616) includes all the parts needed to install the G1200P.

FPI Kit #	Length	Contains:
#946-615	4 Feet	1) 8" flexible liner (Kit length) 2) 5" flexible liner (Kit length) 3) spring spacers 4) thimble 5) AstroCap XL termination cap 6) screws 7) tube of Mill Pac 8) plated screws 9) S.S. screws #8 x 1-1/2" drill point 10) vinyl siding standoff
#946-618	6 Feet	
#946-616	10 Feet	



Notes:

- 1) Liner sections should be continuous without any joints or seams.
- 2) Only Flex pipe purchased from Regency may be used for Flex installations.
- 3) Regency® Direct Vent System (Flex) is only approved for horizontal terminations.
- 4) Horizontal vent must be supported every 3 feet.
- 5) Flex system can only be used up to a maximum continuous vent length of up to 10 feet. If longer runs are required, rigid pipe must be used.

installation

Horizontal Terminations - Rigid Pipe 5" x 8"

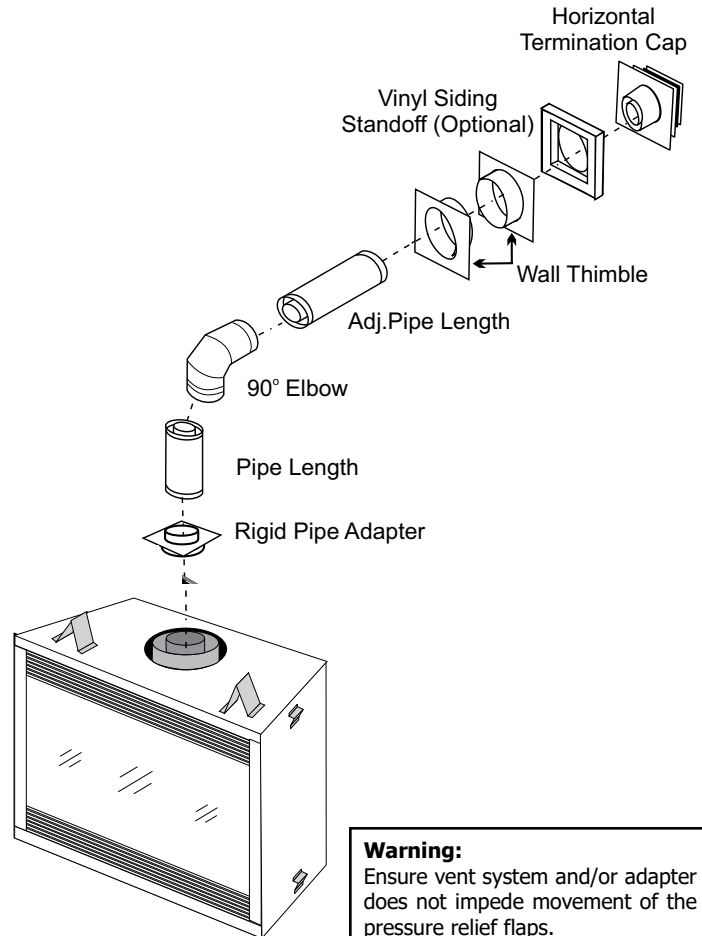
The minimum components required for a basic horizontal termination are:

- 1 Horizontal Termination Cap
- 1 Rigid Pipe Adaptor (770-994)
- 1 Wall Thimble
- 1 Length of pipe to suit wall thickness (see chart)

Wall thickness is measured from the back standoffs to the inside mounting surface of termination cap. For siding other than vinyl furring strips may be used, instead of the vinyl siding standoff, to create a level surface to mount the vent terminal. The Terminal must not be recessed into siding. Measure the wall thickness including furring strips.

If a Vinyl Siding Standoff is required (it must be used with vinyl siding), measure to outside surface of wall without siding and add 2 inches.

Flat Wall Installation	
Wall Thickness (inches)	Vent Length Required (inches)
4" - 5-1/2"	6"
7" - 8-1/2"	9"
10" - 11-1/2"	12"
9" - 14-1/2'	11" - 14-5/8" Adj. Pipe
15" - 23-1/2"	17" - 24" Adj. Pipe



*Unit is not exactly as shown.

Warning:
Ensure vent system and/or adaptor does not impede movement of the pressure relief flaps.

When using Rigid Vent other than Simpson Dura-Vent, 3 screws must be used to secure rigid pipe to adaptor.

WARNING:

Do not combine venting components from different venting systems.

However use of the the AstroCap™ and FPI Riser is acceptable with all systems.

This product has been evaluated by Intertek for using a Rigid Pipe Adaptor in conjunction with DuraVent Direct-Vent, Selkirk Direct-Temp, Metal-Fab Sure Seal, ICC Excel Direct and Olympia Ventis DV systems. Use of these systems with the Rigid Pipe adaptor is deemed acceptable and does not affect the Intertek WHI listing of components.

The FPI AstroCap™ is certified for installations using FPI venting systems as well as Simpson Dura-Vent® Direct Vent, metal-Fab Sure Seal, ICC Excel, Olympia Ventis DV, Selkirk Direct-Temp. AstroCap™ is a proprietary trademark of FPI Fireplace Products International Ltd. Dura-Vent® and Direct Vent are registered and/or proprietary trademarks of Simpson Dura-Vent Co. Inc.

Venting Introduction Horizontal Terminations

The G1200P uses the "balanced flue" technology co-axial system. The inner liner vents products of combustion to the outside while the outer liner draws outside combustion air into the combustion chamber, thereby eliminating the need to use heated room air for combustion and losing warm room air up the chimney. The gas appliance and vent system must be vented directly to the outside of the building, and never be attached to a chimney serving a separate solid fuel or gas burning appliance. Each direct vent gas appliance must use its own separate vent system. Common vent systems are prohibited.

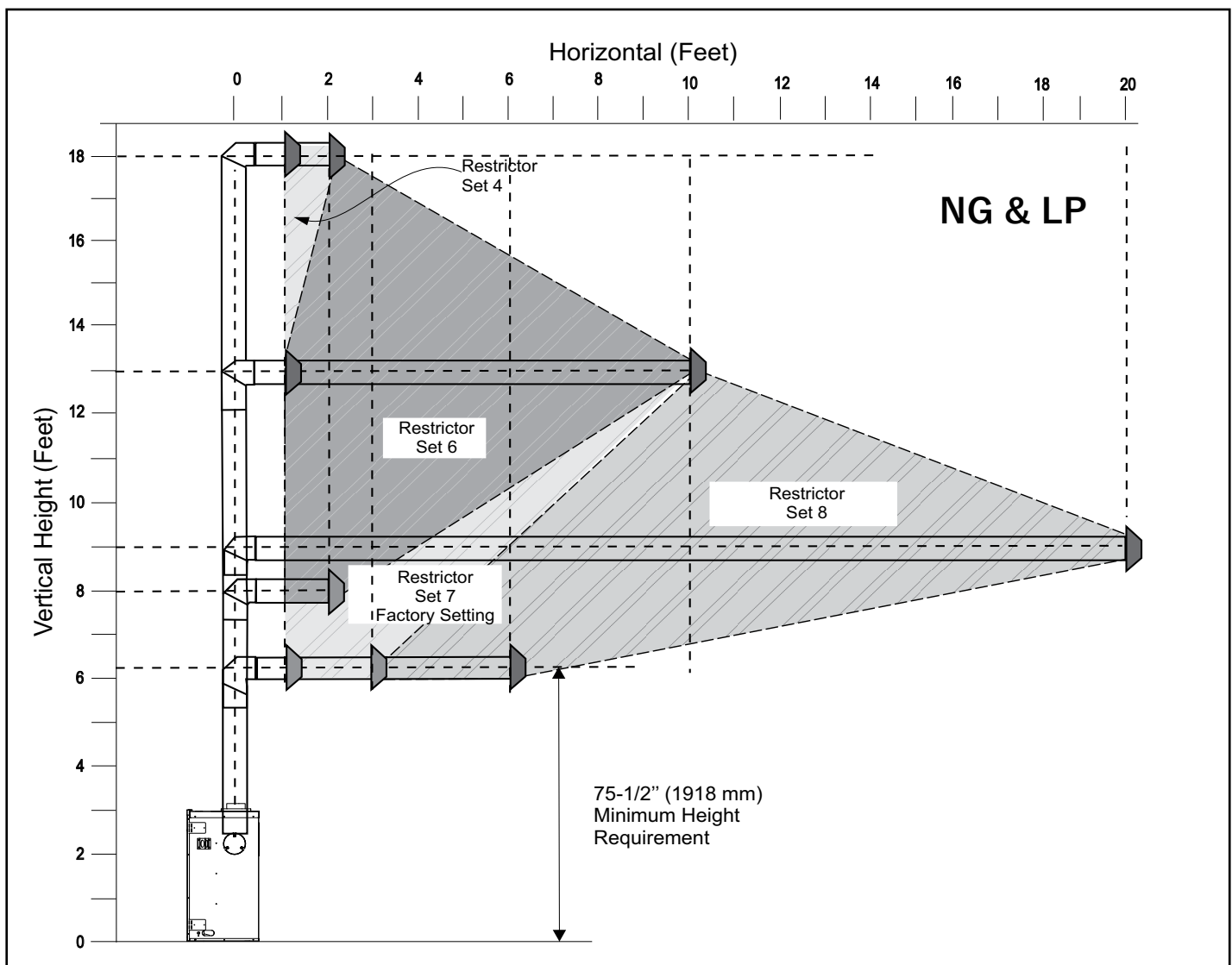
Note : These flue pipes must not be connected to any other appliance.

Venting Arrangements for Horizontal Terminations (Rigid and Flex) for Both Natural Gas/Propane

The diagram shows all allowable combinations of vertical runs with horizontal terminations, using one 90° (two 45° elbows equal one 90° elbow).

Note : • Must use optional rigid pipe adapter (part# 770-994) when using rigid pipe venting systems.

- For horizontal terminations, the Regency direct vent flex system may be used for installations with a maximum continuous vent length of up to 10 feet. If longer runs are required, rigid pipe must be used.



VENT RESTRICTOR SETTING:

Refer to the "Vent Restrictor Position" section for details on how to change the vent restrictor from the factory setting of Set 7 - 3 1/2" (89 mm) open - if required.

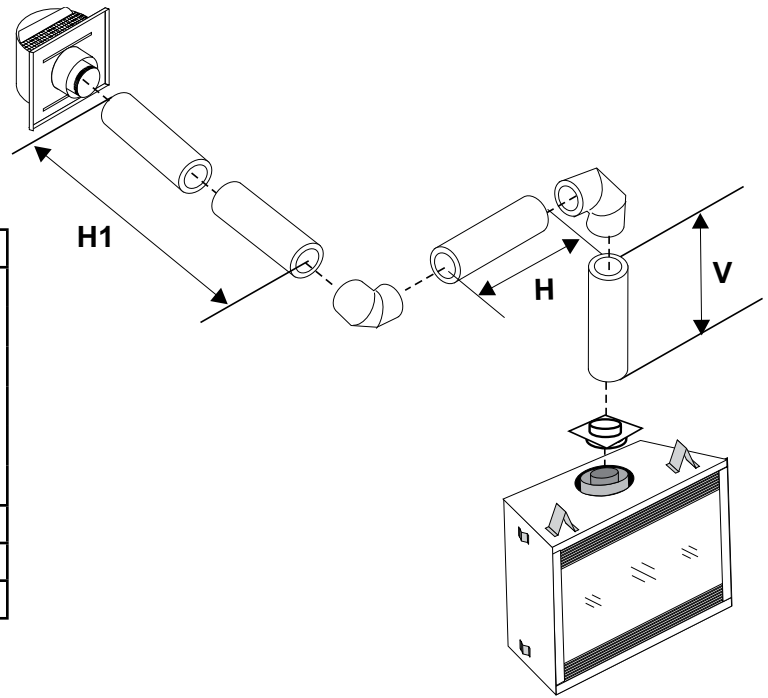
- Maintain clearances to combustibles as listed in "Clearances" section
- Horizontal vent must be supported every 3 feet.
- Firestops are required at each floor level and whenever passing through a wall.
- A vent guard should be used whenever the termination is lower than the specified minimum or as per local codes.

installation

Horizontal Terminations - Two 90° Elbows (Rigid/Flex Pipe 5" x 8") for Both Natural Gas/Propane

One 90° elbow = Two 45° elbows.		
Option	V	H + H1
A)	2' Min.	4' Max.
B)	3' Min.	5' Max.
C)	4' Min.	6' Max.
D)	5' Min.	7' Max.
E)	6' Min.	8' Max.
Vent Restrictor Set 8		
Lengths do not include elbow indicated.		
Must use rigid pipe adaptor #770-994 when using rigid venting.		

With these options, maximum total pipe length is 30 feet with minimum of 6 feet total vertical and maximum 8 feet total horizontal.
Please note minimum 1 foot between 90° elbows is required.

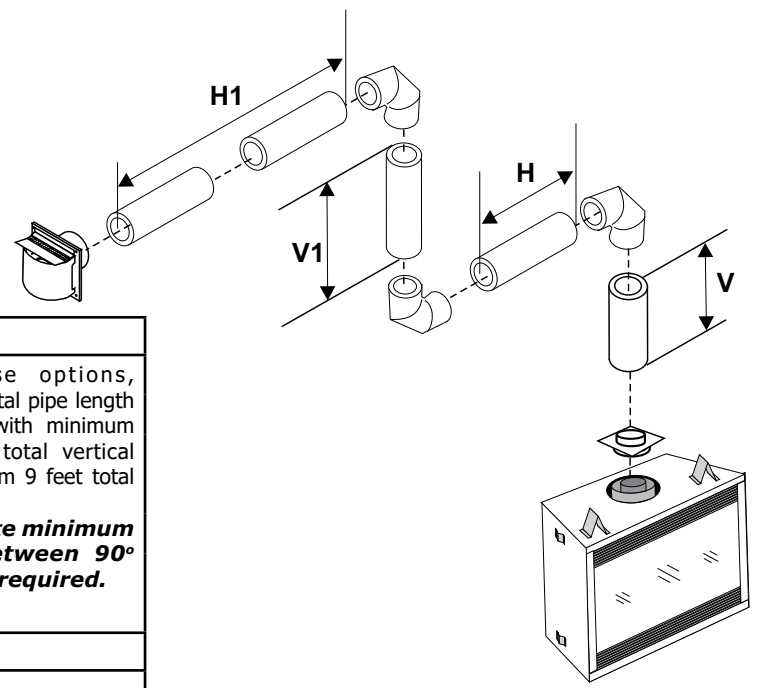


Note: For horizontal terminations the Regency Direct Vent Flex System may be used for installations up to a maximum **continuous** vent length of 10ft (3.0 m).

Horizontal Terminations - Three 90° Elbows (Rigid/Flex Pipe 5" x 8") for Both Natural Gas/Propane

One 90° elbow = Two 45° elbows.				
Option	V	H	V + V1	H + H1
A)	2' Min.	2' Max.	5' Min.	4' Max.
B)	3' Min.	2' Max.	7' Min.	5' Max.
C)	4' Min.	3' Max.	9' Min.	6' Max.
D)	5' Min.	4' Max.	10' Min.	7' Max.
E)	6' Min.	5' Max.	11' Min.	8' Max.
F)	7' Min.	6' Max.	12' Min.	9' Max.
Vent Restrictor Set 8				
Lengths do not include elbow indicated.				
Must use rigid pipe adaptor #770-994 when using rigid venting.				

With these options, maximum total pipe length is 30 feet with minimum of 12 feet total vertical and maximum 9 feet total horizontal.
Please note minimum 1 foot between 90° elbows is required.



Note: For horizontal terminations the Regency Direct Vent Flex System may be used for installations up to a maximum **continuous** vent length of 10ft (3.0m).

Unit Installation with Horizontal Termination - 5" x 8" Venting (Rigid Vent Systems)

Minimum Vent Clearances to Combustibles

Clearances noted below must be maintained; except when passing through a wall, ceiling or at the termination where the use of a firestop or wall thimble reduces clearance to 1-1/2" (38mm).

Minimum Vent Clearances to Combustibles Inside of Chase

Horizontal Top	9" (229 mm)
Horizontal Side	6" (152 mm)
Vertical Vent	6" (152 mm)

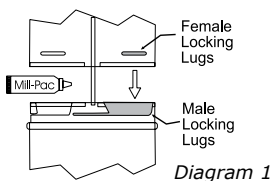
Minimum Vent Clearances to Combustibles Outside of Chase

Horizontal Top	2" (51 mm)
Horizontal Side	1-1/2" (38 mm)
Horizontal Bottom	1-1/2" (38 mm)
Vertical Vent	1-1/2" (38 mm)

Below are the recommended framing dimensions (inside measurements) for the 5" x 8" rigid vent terminations - for use with a firestop or wall thimble.

Install the vent system according to the manufacturer's instructions included with the components.

1. Set the unit in its desired location. Check to determine if wall studs or roof rafters are in the way when the venting system is attached. If this is the case, you may want to adjust the location of the unit. Rough in the gas preferably on the right side of the unit and the electrical (junction block is on the left side) on the left.
2. Direct Vent pipe and fittings are designed with special twist-lock connections to connect the venting system to the appliance flue outlet. A twist-lock appliance adaptor is required.
3. In conjunction with the Approved Vent system, install the adaptor after the unit is set in its desired location. Slip the adaptor over the existing inner and outer flue collar. Fasten to the outer collar only with the 3 supplied screws (drilling pilot holes will make this easier).
4. Level the fireplace and fasten it to the framing using nails or screws through the top and side nailing strips.



5. Assemble the desired combination of pipe and elbows to the appliance adaptor and twist-lock for a solid connection.

Note: For best results and optimum performance with each approved venting system, it is highly recommended to apply "Mill-Pac" sealant (supplied) to every inner pipe connection. Failure to do so may result in drafting or performance issues not covered under warranty.

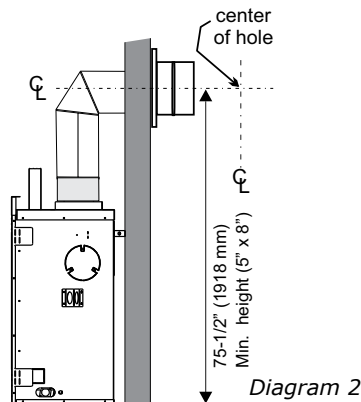
Horizontal runs of vent must be supported every 3 feet (0.9meter). Wall straps are available for this purpose.

6. Mark the wall for a square hole - see chart to left for size. The center of the square hole should line up with the center-line of the horizontal pipe. Cut and frame the square hole in the exterior wall where the vent will be terminated. See diagram 2 for center line requirements.

If the wall being penetrated is constructed of non-combustible material, i.e. masonry block or concrete, an 8" (203mm) diameter hole is acceptable.

Notes:

- a) The horizontal run of vent must be level, or have a 1/4 inch rise for every 1 foot of run towards the termination. Never allow the vent to run downward. This could cause high temperatures and may present the possibility of a fire.
- b) The location of the horizontal vent termination on an exterior wall must meet all local and national building codes, and must not be blocked or obstructed. See "Exterior Vent Termination Locations" section for more details.



c) Snorkel Terminations:

For installations requiring a vertical rise on the exterior of the building, 36-inch tall Snorkel Terminations are available. Follow the same installation procedures as used for standard Horizontal Termination. NEVER install the snorkel upside down.

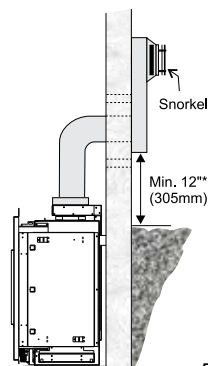


Diagram 3

*As specified in CSA B149.1 Installation Code. Local codes or regulations may require different clearances.

Below Grade Snorkel Installation

If the snorkel termination must be installed below grade, i.e. basement application, proper drainage must be provided to prevent water from entering the snorkel termination. See diagram 4. Do not attempt to enclose the snorkel within the wall or any other type of enclosure.

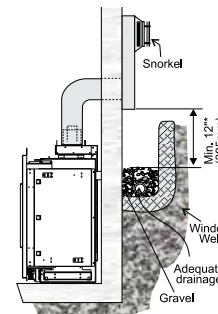
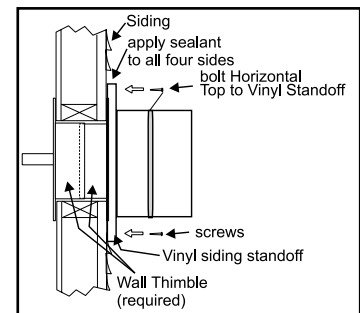


Diagram 4

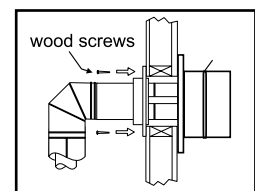
7. Ensure that the pipe clearances to combustible materials are maintained. Install the termination cap.

Note: If installing termination on a vinyl siding covered wall, a vinyl siding standoff or furring strips must be used to ensure that the termination is not recessed into the siding.



The four wood screws provided should be replaced with appropriate fasteners for stucco, brick, concrete, or other types of sidings.

8. Before connecting the horizontal run of vent pipe to the vent termination, slide the Wall Thimble over the vent pipe. The wall thimble is required for all horizontal terminations.
9. Slide the appliance and vent assembly towards the wall carefully inserting the vent pipe into the vent cap assembly. It is important that the vent pipe extends into the vent cap sufficient distance so as to result in a minimum pipe overlap of 1-1/4 inches (32mm). Secure the connection between the vent pipe and the vent cap.
10. Install wall thimble in the center of the framed hole and attach with wood screws.



installation

Unit Installation with Horizontal Termination - 5" x 8" Venting (Flex Vent Systems)

Minimum Vent Clearances to Combustibles

Clearances noted below must be maintained; except when passing through a wall, ceiling or at the termination where the use of a firestop or wall thimble reduces clearance to 1-1/2" (38 mm).

Minimum Vent Clearances to Combustibles Inside of Chase

Horizontal Top	9" (229 mm)
Horizontal Side	6" (152 mm)
Horizontal Bottom	3" (76 mm)
Vertical Vent	6" (152 mm)

Minimum Vent Clearances to Combustibles Outside of Chase

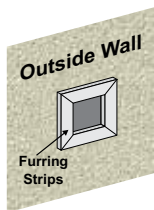
Horizontal Top	2" (51 mm)
Horizontal Side	1-1/2" (38 mm)
Horizontal Bottom	1-1/2" (38 mm)
Vertical Vent	1-1/2" (38 mm)

Below are the recommended framing dimensions (inside measurements) for the 5" x 8" rigid vent terminations - for use with a firestop or wall thimble.

Recommended Framed Opening Size	
Vent Size	Framing Size
5" x 8"	11" x 11"

1. Locate the unit in the framing, rough in the gas (preferably on the right side of the unit). Locate the centerline of the termination and mark wall accordingly. Cut an square hole in the wall - see chart (inside dimension).

Note: If installing termination on a siding covered wall, a vinyl siding standoff or vinyl furring strips must be used to ensure that the termination is not recessed into the siding.



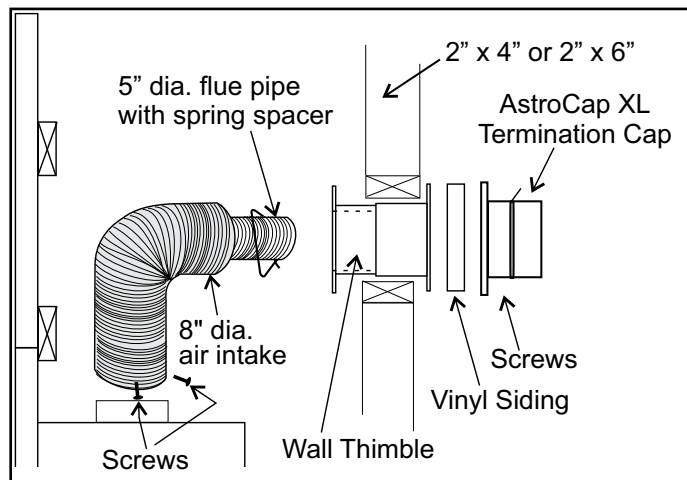
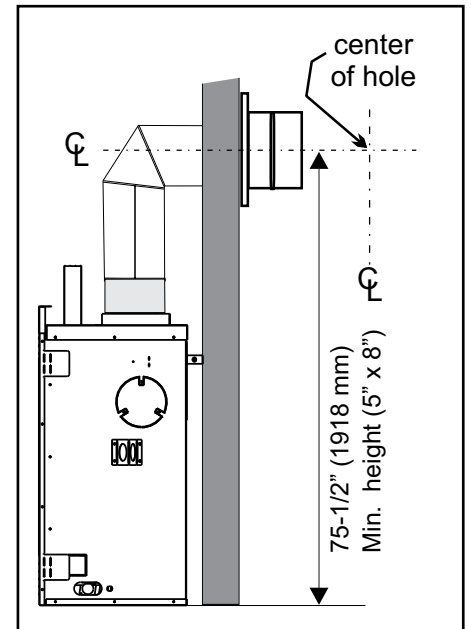
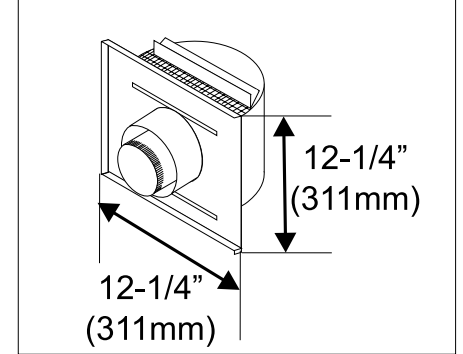
2. Level the fireplace and fasten it to the framing using nails or screws through the nailing strips.
3. Assemble the vent assembly by applying Mill-Pac to the inner flue collar of the termination and slipping the inner flex liner over it at least 1-3/8" (35mm). Fasten with the 3 screws (drilling pilot holes will make this easier). Apply Mill-Pac to the outer flex pipe and slip it over the outer flue collar of the vent terminal at least 1-3/8" (35mm) and fasten with the 3 screws.

NOTE: Horizontal sections must be supported at intervals not exceeding 3 feet (0.9 meter). (Flame picture and performance will be affected by sags in the liner).

4. Separate the 2 halves of the wall thimble and securely fasten the one with the tabs to the outside wall making sure that the tabs are on top and bottom. Fasten the other thimble half to the inside wall. The thimble halves slip inside each other and can be adjusted for 2 x 4 (or 2 x 6) walls.
5. Slip the assembled liner and termination assembly through the thimble making sure the termination cap faces up (there are markings on the cap that show which way is up). This will position the termination cap with proper down slope for draining water. Fasten the cap to the outer wall with the 4 supplied screws.
6. Pull the centre inner and outer flex liner out enough to slip over the flue collars of the fireplace. (You may wish to cut the liner shorter to make it more workable.) Do not bend liner more than 90°. **The liners must slip over the collars a minimum of 1-3/8".**
7. Apply Mill-Pac over the fireplace inner flue collar and slip the inner flex liner cap down over it and attach with 3 supplied screws.
8. Do the same with the outer flue collar and outer flex liner.
9. Apply a bead of silicone between the thimble and termination and around the outer edge of the terminal at the wall in order to keep the water out.

IMPORTANT: Do not locate termination hood where excessive snow or ice buildup may occur. Be sure to check vent termination area after snow falls, and clear to prevent accidental blockage of venting system. When using snow blowers, make sure snow is not directed towards vent termination area.

AstroCap XL Dimensions (946-623/P)



Venting Introduction Vertical Terminations

The G1200P uses the "balanced flue" technology co-axial system. The inner liner vents products of combustion to the outside while the outer liner draws outside combustion air into the combustion chamber, thereby eliminating the need to use heated room air for combustion and losing warm room air up the chimney. The gas appliance and vent system must be vented directly to the outside of the building, and never be attached to a chimney serving a separate solid fuel or gas burning appliance. Each direct vent gas appliance must use its own separate vent system. Common vent systems are prohibited.

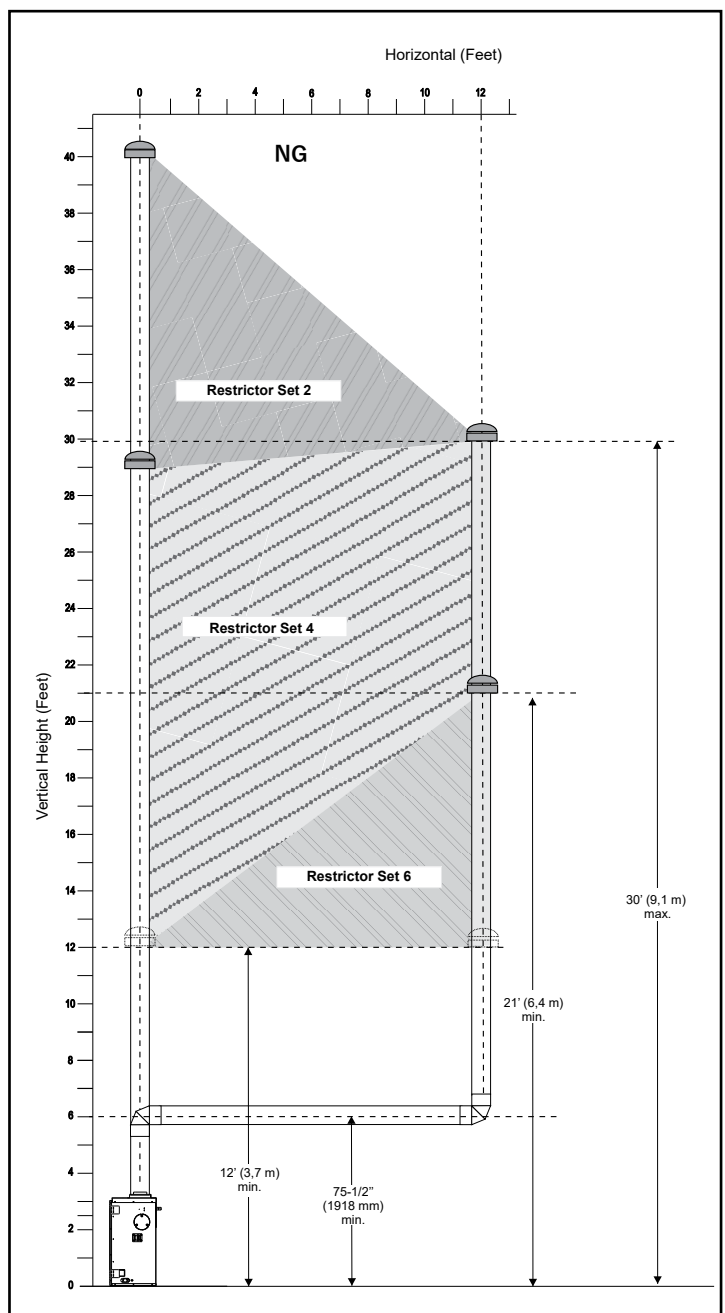
Note: These flue pipes must not be connected to any other appliance.

Venting Arrangements for Vertical Terminations - 5" x 8" (127 mm x 203 mm) Rigid and Flex Pipe (Natural Gas)

The shaded area in the diagram shows all allowable combinations of straight vertical and offset-to-vertical terminations, using two 90° elbows with rigid/flex pipe venting systems.

- Two 45° elbows equal to one 90° elbow.
- Vent must be supported at offsets.
- Minimum distance between elbows is 1 ft. (305 mm).
- Maintain clearances to combustibles as listed in the "Clearances" section.
- Horizontal vent must be supported every 3 feet (0.9 m).
- Firestops are required at each floor level and whenever passing through a wall.
- Must use optional rigid pipe adaptor (Part# 770-994) when using rigid pipe vent systems.
- Refer to the "Vent Restrictor Position" section for details on how to change the vent restrictor from the factory setting of Set 7 - 3 1/2" (89 mm) if required.

For vertical terminations, the Regency Direct Vent Flex System may be used for installations with a maximum vent length of up to 40 feet including offsets. If longer runs are required, rigid pipe must be used. If no offsets are used, the maximum run is per the chart on this page



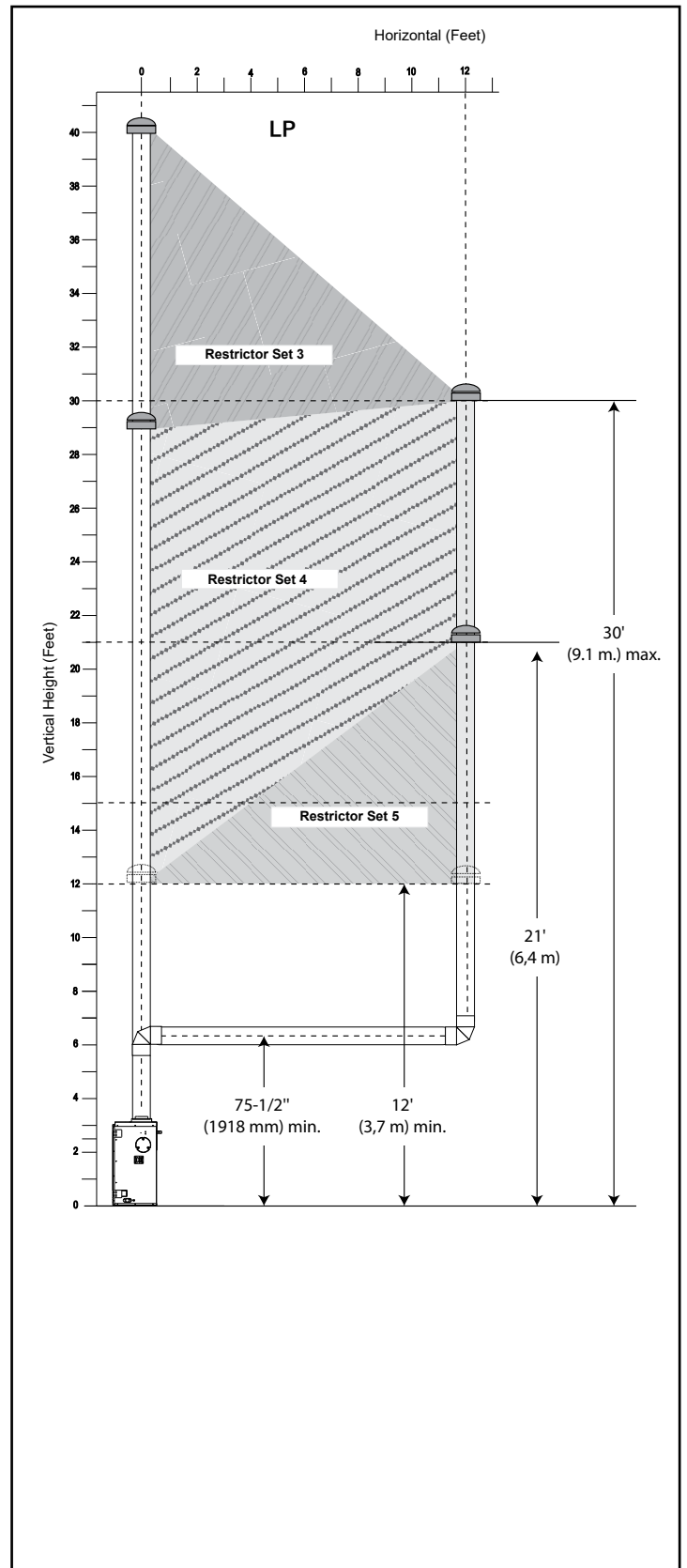
installation

Venting Arrangements for Vertical Terminations - 5" x 8" (127 mm x 203 mm) Rigid and Flex Pipe (Propane)

The shaded area in the diagram shows all allowable combinations of straight vertical and offset-to-vertical terminations, using two 90° elbows with rigid/flex pipe venting systems.

- Two 45° elbows equal to one 90° elbow.
- Vent must be supported at offsets.
- Minimum distance between elbows is 1 ft. (305 mm).
- Maintain clearances to combustibles as listed in the "Clearances" section.
- Horizontal vent must be supported every 3 feet (0.9 m).
- Firestops are required at each floor level and whenever passing through a wall.
- Must use optional rigid pipe adaptor (Part# 770-994) when using rigid pipe vent systems.
- Refer to the "Vent Restrictor Position" section for details on how to change the vent restrictor from the factory setting (Set 7: 3-1/2" / 89 mm open).

If required for vertical terminations, the Regency Direct Vent Flex System may be used for installations with a maximum vent length of up to 40 feet including offsets. If longer runs are required, rigid pipe must be used. If no offsets are used, the maximum run is per the chart on this page.



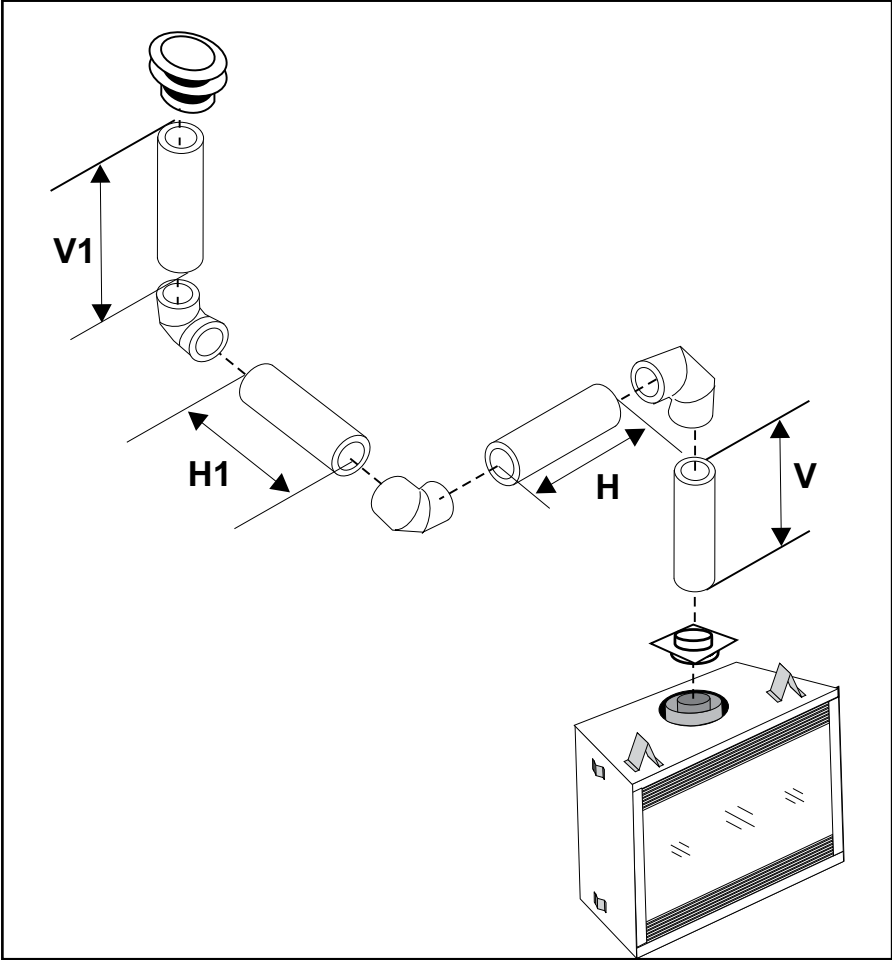
Vertical Terminations - Three 90° Elbows (Rigid/Flex Pipe 5" x 8") for Both Natural Gas/Propane

<i>One 90° elbow = Two 45° elbows.</i>			
Option	V	V + V1	H + H1
A)	2' Min.	6' Min.	3' Max.
B)	3' Min.	6' Min.	4' Max.
C)	4' Min.	7' Min.	5' Max.
D)	5' Min.	8' Min.	6' Max.
E)	6' Min.	9' Min.	7' Max.
F)	7' Min.	10' Min.	8' Max.

With these options, maximum total pipe length is 30 feet with minimum of 10 feet total vertical and maximum 8 feet total horizontal.

Please note minimum 1 foot between 90° elbows is required.

Vent Restrictor Set 8
 Lengths do not include elbow indicated.
 Must use rigid pipe adaptor #770-994 when using rigid venting.



installation

Unit Installation with Vertical Termination - 5" x 8" Venting (Rigid Vent Systems)

Must use rigid pipe adaptor #770-994

Clearances noted below must be maintained; except when passing through a wall, ceiling or at the termination where the use of a firestop or wall thimble reduces clearance to 1-1/2" (38 mm).

Minimum Vent Clearances to Combustibles Inside of Chase

Horizontal Top	9" (229 mm)
Horizontal Side	6" (152 mm)
Vertical Vent	6" (152 mm)

Minimum Vent Clearances to Combustibles Outside of Chase

Horizontal Top	2" (51 mm)
Horizontal Side	1-1/2" (38 mm)
Horizontal Bottom	1-1/2" (38 mm)
Vertical Vent	1-1/2" (38 mm)

- Maintain the clearances (air spaces) to combustibles when passing through ceilings, walls, roofs, inside/outside enclosures, attic rafter, or other nearby combustible surfaces. Do not pack air spaces with insulation. Check "Venting" Sections for the maximum vertical rise of the venting system and the maximum horizontal offset limitations.

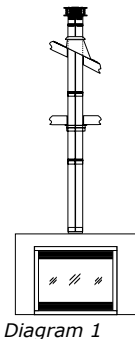


Diagram 1

- Set the gas appliance in its desired location. Drop a plumb bob down from the ceiling to the position of the appliance flue exit, and mark the location where the vent will penetrate the ceiling. Drill a small hole at this point. Next, drop a plumb bob from the roof to the hole previously drilled in the ceiling, and mark the spot where the vent will penetrate the roof.
- A Firestop spacer must be installed in the floor or ceiling of every level. To install the Firestop spacer in a flat ceiling or wall, cut a 11 inch square hole. Frame the hole as shown in Diagram 2 and install the firestop.
- Assemble the desired lengths of pipe and elbows. Ensure that all pipes and elbow connections are in the fully twist-locked position and sealed.

Note: All vertical terminations are vented using 5" x 8" venting and rigid pipe adaptor #770-994.

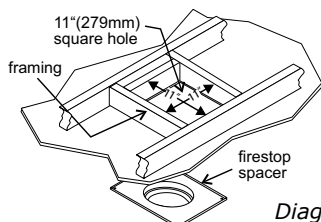
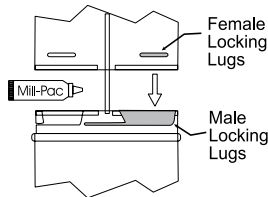


Diagram 2

- Cut a hole in the roof centered on the small drilled hole placed in the roof in Step 2. The hole should be of sufficient size to meet the minimum requirements for clearance to combustibles of 2". Slip the flashing under the shingles (shingles should overlap half the flashing) as per Diagram 3.



NOTE: For best results and optimum performance with each approved venting system, it is highly recommended to apply "Mill-Pac" sealant (supplied) to every inner pipe connection. Failure to do so may result in drafting or performance issues not covered under warranty.

- Continue to assemble pipe lengths.

Note: If an offset is necessary in the attic to avoid obstructions, it is important to support the vent pipe every 3 feet, to avoid excessive stress on the elbows, and possible separation. Wall straps are available for this purpose.

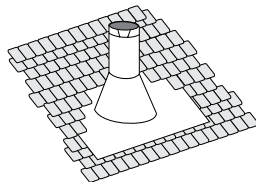


Diagram 3: The upper half of the flashing is installed under the roofing material and not nailed down until the chimney is installed. This allows for small adjustments.

- Galvanized pipe is desirable above the roofline due to its higher corrosion resistance. Continue to add pipe sections through the flashing until the height of the vent cap meets the minimum height requirements specified in Diagram 4 or local codes. Note that for steep roof pitches, the vertical height must be increased. A poor draft, or down drafting can result from high wind conditions near big trees or adjoining roof lines, in these cases, increasing the vent height may solve the problem.
- Ensure vent is vertical and secure the base of the flashing to the roof with roofing nails, slide storm collar over the pipe section and seal with a mastic.
 - Install the vertical termination cap by twist-locking it.

Note: Any closets or storage spaces, which the vent passes through must be enclosed.

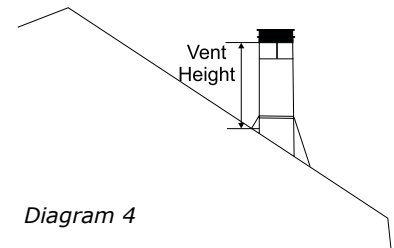


Diagram 4

Roof Pitch	Minimum Vent Height	
	Feet	Meters
flat to 7/12	2	0.61
over 7/12 to 8/12	2	0.61
over 8/12 to 9/12	2	0.61
over 9/12 to 10/12	2.5	0.76
over 10/12 to 11/12	3.25	0.99
over 11/12 to 12/12	4	1.22
over 12/12 to 14/12	5	1.52
over 14/12 to 16/12	6	1.83
over 16/12 to 18/12	7	2.13
over 18/12 to 20/12	7.5	2.29
over 20/12 to 21/12	8	2.44

Gas Line Installation

The gas line is brought through the right side of the appliance. The gas valve is situated on the right hand side of the unit and the gas inlet is on the right hand side of the valve.

The gas line connection may be made of rigid pipe, copper pipe or an approved flex connector. (If you are using rigid pipe, ensure that the valve can be removed for servicing.) Since some municipalities have additional local codes it is always best to consult with your local authorities and the CSA B149.1 installation code.

For USA installations follow local codes and/or the current National Fuel Gas Code, ANSI Z223.1.

When using copper or flex connectors use only approved fittings. Always provide a union so that gas lines can be easily disconnected for servicing. Flare nuts for copper lines and flex connectors are usually considered to meet this requirement.

Important: Always check for gas leaks with a soap and water solution or gas leak detector. Do not use open flame for leak testing.

Vertical Terminations - Vertical Flex Vent Kit (Part #946-772)

Vertical Flex Vent Kit includes:

- 20 ft. flex pipe (inner & outer) with 10 spacers
- 3 wall straps
- Ceiling firestop
- Firestop spacer
- Brackets
- Flex to rigid adaptor
- Roof support
- 36" rigid DuraVent pipe
- Storm collar
- High wind termination cap
- Hardware

NOTE The roof flashing is not included with this kit and must be purchased separately.

NOTE Vertical flex installations must conform to the limitations set in the vertical venting charts.

You must choose 1 of the following:

Part #	Description
58DVA-F6-0/12-6/12	Roof Flashing
58DVA-F12-7/12-12/12	Roof Flashing

- Maintain the clearance (air space) to combustibles when passing through ceilings, walls, floors, inside/outside enclosures, attic rafters or other nearby combustibles. Do not pack air spaces with insulation. Check venting sections for the maximum vertical rise of the venting system and the maximum horizontal offset limitations.

Ensure that you maintain clearances around enclosures, walls, below or above floors, floor joists, etc. Each appliance has different clearance requirements (top, sides, bottom). See specific appliance manual for details.

- Set the appliance in its desired position. Drop a plumb bob down from the ceiling/floor joist to the position of the appliance flue exit and mark the location where the vent will penetrate the ceiling. Drill a small hole at this point. Next drop a plumb bob from the roof to the hole previously drilled at the ceiling level and mark the spot where the vent will penetrate the roof.
- Cut a hole in the roof centered on the small hole placed in the roof in the previous steps. The hole should be a minimum of 11" (279 mm). The hole may be round and or square.
- Slip the flashing under the shingles and line up flashing so it is centered to the hole (shingles should overlap half of the flashing) as per Diagram 1.

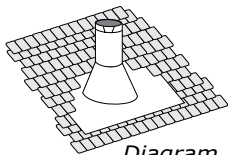


Diagram 1 - The upper half of the flashing is installed under the roofing material and not nailed down until the chimney is installed. This allows for small adjustments.

- A ceiling firestop/firestop spacer must be installed when passing through each floor or ceiling level. To install the ceiling firestop/firestop spacer in a flat ceiling or floor joist cut a 11" (279 mm) square hole. Frame the hole as show in Diagram 2 and install the ceiling firestop. Slide the top attic insulation spacer onto the top of the attic insulation shield/firestop - See Diagram 2a. Secure with 4 screws/nails. If more than one is required, these can be purchased separately.

NOTE The ceiling firestop/firestop spacer may be cut down to size if this shield is too high for the application.

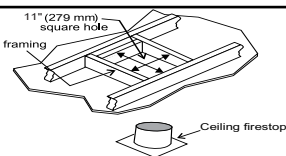


Diagram 2

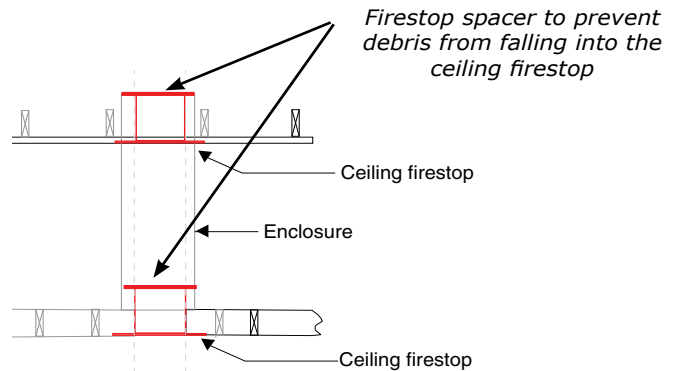


Diagram 2a

- Determine the overall height of the chimney from the top of the appliance to the underside of the vent. If required cut the flexible inner and outer pipe to the desired length up to a maximum of 20 ft. (6.1 m).
 - Put a bead of Mill-Pac around the 5" (127 mm) collar on the appliance and slide the inner flex pipe over the inner collar of the appliance and secure with a minimum of 3 screws.
 - Install 5" (127 mm) spacers around 5" (127 mm) flex.
 - Repeat Step 7 to install the outer pipe to the outer collar of the appliance.
- NOTE** If an offset is necessary in the attic or floor joists it is important to support the vent pipe every 3 feet (914 mm) to avoid excessive stress and sagging of the vent pipe. Wall straps are provided (3 in total) for this purpose. All round/plumbers strapping may also be used if further supports are required.
- Attach the rigid pipe section to the adaptor by using MillPac on the inner/ outer pipe. Use 3 screws to secure outer pipe.
 - Secure inner flex pipe to pipe adaptor using Mill-Pac over the adaptor. Slide the inner pipe over the flex to rigid adaptor and secure with 3 screws.
 - Repeat Step 11 to secure outer flex.

installation

- Slide the finished length up towards the flashing ensuring the length of pipe is a minimum of 2 feet (0.61 m) measured from the top of the roof. Level the chimney and secure using the roof support provided with kit to bottom side of the roof as shown using a minimum of 2 screws per side- see Diagram 3b. See Diagram 4 for roof pitch and height requirements. See Diagram 3a for securing method if 2 feet (0.61 m) is insufficient and additional lengths are required, this may be purchased separately. See Simpson Duravent components list in the instruction manual for part numbers.

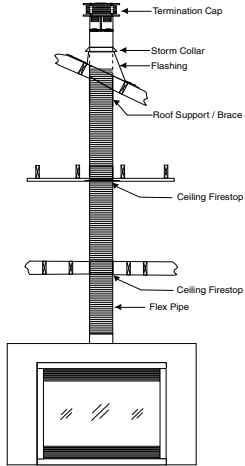


Diagram 3

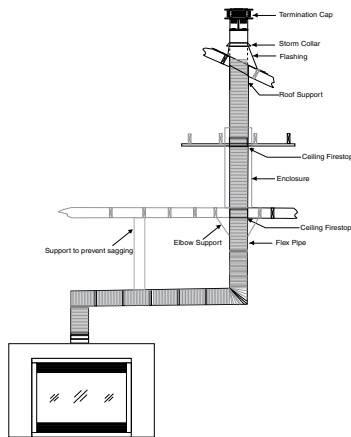
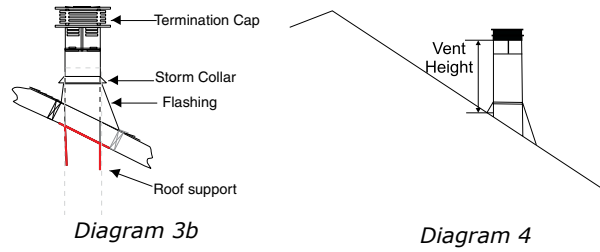


Diagram 3a



Roof Pitch	Minimum Vent Height	Minimum Vent Height
	Feet	Meters
flat to 7/12	2	0.61
over 7/12 to 8/12	2	0.61
over 8/12 to 9/12	2	0.61
over 9/12 to 10/12	2.5	0.76
over 10/12 to 11/12	3.25	0.99
over 11/12 to 12/12	4	1.22
over 12/12 to 14/12	5	1.52
over 14/12 to 16/12	6	1.83
over 16/12 to 18/12	7	2.13
over 18/12 to 20/12	7.5	2.29
over 20/12 to 21/12	8	2.44

- Put a bead of caulking on the exterior between the outer pipe and flashing to prevent water from penetrating the chimney system.

- Slide storm collar over pipe length until it reaches the flashing.

- Install termination cap by twist locking it.

- Secure the flashing to the roof using screws

Note: Any closets or storage spaces which the vent passes through must be enclosed.

Vertical Flex Extension Kit (Part # 946-769)

20 foot (6.1 m) flex pipe extension

Vertical Flex Extension Kit includes:

- 20 ft. flex pipe (inner & outer) with 10 spacers
- 3 wall straps
- Flex adaptor
- Hardware

Used in conjunction with the 946-772 Vertical Flex Vent Kit for vertical installations.

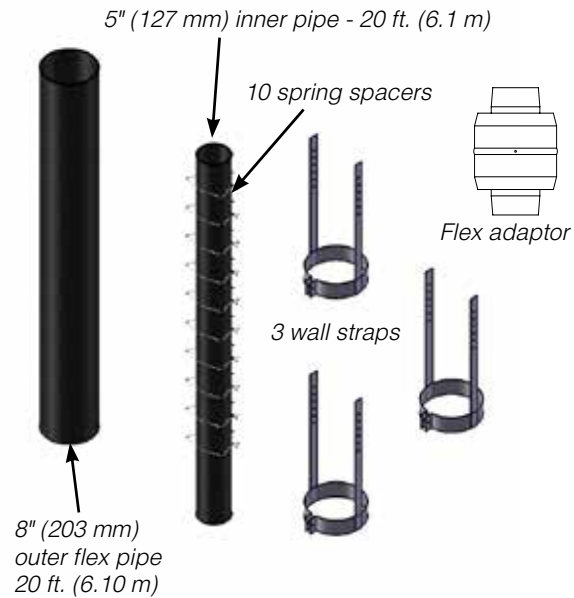
1. Stretch out both inner 5" (127 mm) and outer 8" (203 mm) pipe up to a maximum of 20 ft. (6.1 m).

NOTE The inner and outer pipes may be cut if only a short length is required.

2. Install spring spacers around 5" (127 mm) inner pipe as shown. Slide outer flex pipe over and all the way down the 5" (127 mm) pipe.
3. Apply a bead of Mill Pac around the perimeter of the 5" (127 mm) inner collar of the flex adaptor and slip the 5" (127 mm) inner flex pipe from the Vertical termination kit over the flex adaptor ensuring that the inner flex pipe overlaps the collar by at least 1.4" (35 mm). Fasten with 3 screws.
4. Apply a bead of Mill Pac around the perimeter of the 8" (203 mm) outer collar of the flue adaptor and slip it over the 8" (203 mm) outer flex pipe from the vertical termination kit ensuring that the outer flex pipe overlaps the collar by at least 1.4" (35 mm). Fasten with the 3 screws.
5. Repeat steps to secure the other end of the flex adapter using the flex kit.
6. See Vertical Vent installation instructions for installation of the complete vent system.

NOTE If an offset is necessary in the attic or floor joists it is important to support the vent pipe every 3 ft. (0.91 m) to avoid excessive stress and sagging of the vent pipe. Wall straps are provided (3 in total) for this purpose.

All round/plumbers strapping may also be used if further supports are required.



installation

LP Conversion using SIT 885 PROFLAME Gas Valve

**THIS CONVERSION MUST BE DONE BY A QUALIFIED GAS FITTER
IF IN DOUBT DO NOT DO THIS CONVERSION !!**

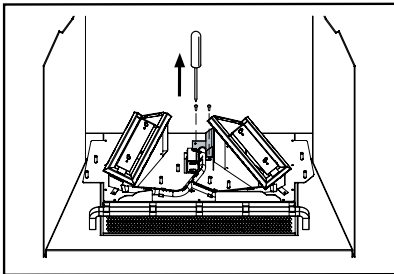
Each Kit contains one LP Conversion Kit

Conversion Kit #796-969 Contains:

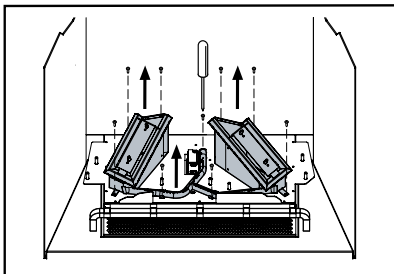
Qty.	Part #	Description
2	905-094	Burner Orifice #56
1	904-977	Burner Orifice #55
1	904-529	5/32" Allen Key
1	918-590	Decal "Converted to LPG"
1	908-528	Red "LP" label
1	910-037	LP Injector (Pilot Orifice)
1	911-011	Stepper Motor
2	796-282	Burner Spacer
1	920-777	Instruction Sheet

Installation of LP Conversion Kit:

1. Shut off the gas and electrical supply.
2. Remove the safety screen and cover panels.
3. Remove the glass door*.
4. Remove the logs, glass media, and any other media* if already installed.
5. Remove the burner cover plate by removing 2 screws.

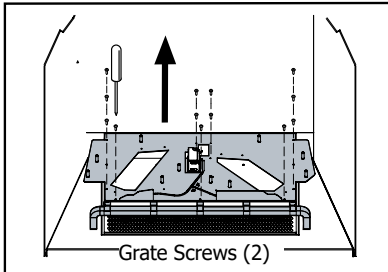


6. Remove the left and right then the middle burners by removing 3 screws each and lifting them directly up and out.

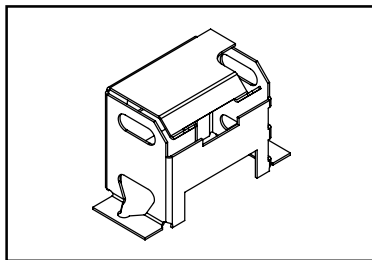


*(See specific instructions in unit manual.)

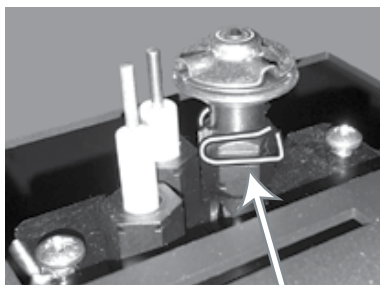
7. Remove and lift out the log grate (2 screws) then the log tray (8 screws).



8. Remove pilot cover by loosening the two screws then slide outwards and lift out.



- 9a. Remove the pilot retainer clip below the pilot cap.



Pilot retainer clip

- 9b. Pull off the pilot cap to expose the pilot orifice.

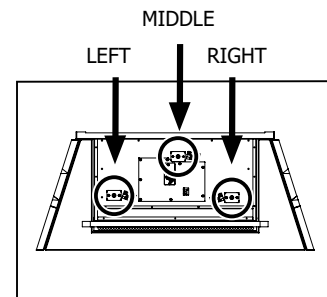


10. Unscrew the NG pilot orifice with the Allen key; then replace with the LPG pilot orifice, provided in the kit.



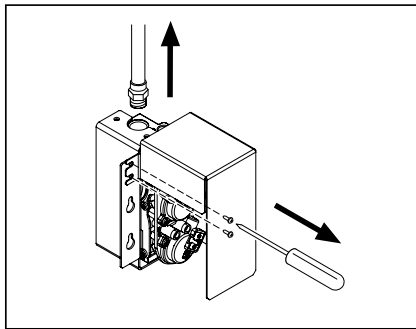
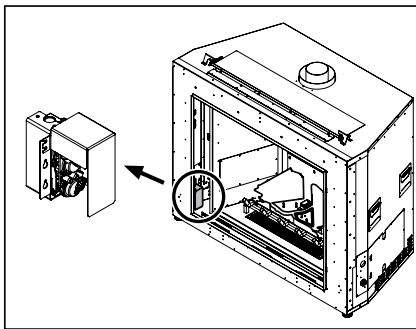
11. Re-install pilot cap, pilot retainer clip and pilot shield.

12. Remove all NG 3 burner orifices with a 3/8" wrench. Discard orifices.



13. Reinstall 3 new burner orifice LP stamped Left #56, Middle #56, Right #55 and tighten.

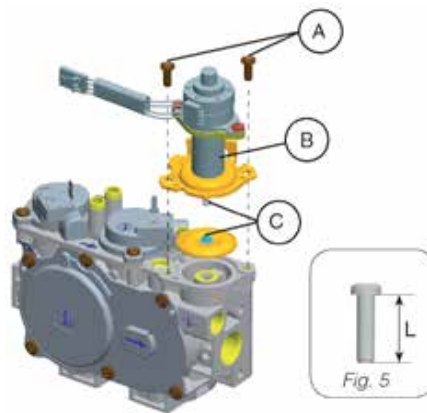
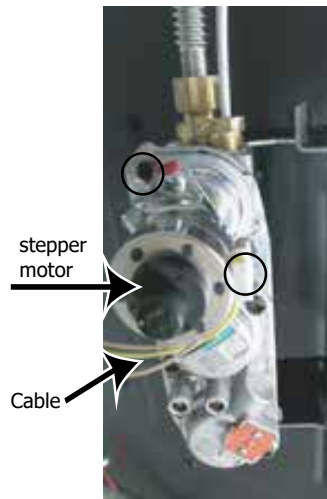
14. Remove the valve cover by loosening two screws and sliding it towards the back of the unit then out.



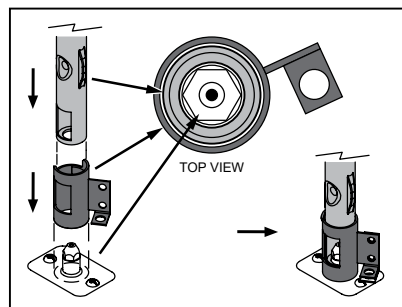
15. Identify the regulator stepper motor on the gas valve and trace the cable from the stepper motor to the connector (located approximately in the middle of the unit). Undo the velcro and the hold down clamps then disconnect the cable.

16. Remove regulator (stepper motor) from as valve and discard 2 Pressure regulator screws A (T20 or slot), Pressure Regulator B, Spring and Diaphragm C. Ensure the rubber gasket, which is pre-fitted as part of the new regulator, is properly positioned. Install the new Pressure Regulator using the 2x M4 x .7 screws supplied. Tighten the screws to 25lb.in. In the event that the screw threads are cross threaded or stripped, replace the valve assembly.

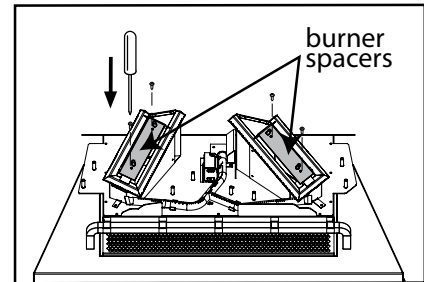
17. Route and secure the new cable from the LP regulator (stepper motor) with the velcro and clamps previously removed then re-connect the cable.



18. Re-install the log tray, log grate then burners. Middle burner must be reinstalled first then either side burners. **IMPORTANT:** When installing the burners, ensure the air shutters are sitting over the orifice and the burner slides into the air shutters.



19. Re-install the burner cover plate. Install two burner spacers with 2 screws as per below diagram.



20. Adjust aeration on LP to 5/16" (8 mm) all 3 burners — see manual for details..

21. Attach the label "This unit has been converted to LPG" near or on top of the serial # decal.

22. Replace yellow "NG" label with red "LPG" label.

23. Check for gas leaks.

24. Check inlet and outlet pressures.

25. Check operation of flame control.

26. Re-install valve cover removed in step 14.

27. Reverse steps 4-1.

Installer Notice:

These instructions must remain with the appliance.

installation

Brick Panel Installation

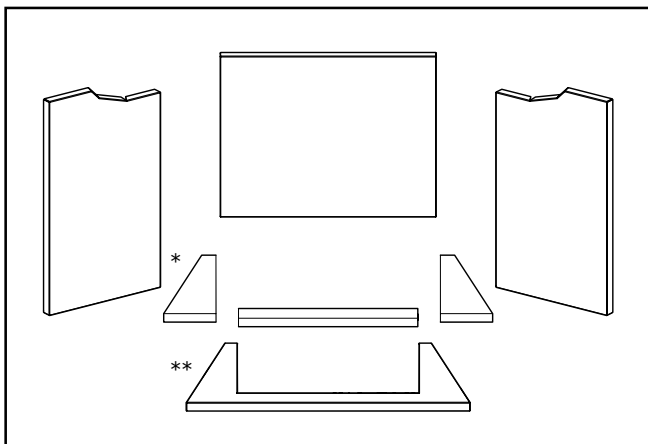
IMPORTANT: THIS APPLIANCE CANNOT BE OPERATED WITHOUT EITHER BRICK PANELS OR INNER ENAMEL OR BLACK PANELS INSTALLED.

These instructions are for use with the following products:

Part #	Description
796-901	Brick Panel Standard Brown
796-903	Brick Panel Herringbone
796-905	Brick Panel Volcanic Black
796-906	Inner Panel Glass Black
796-907	Inner Panel Black

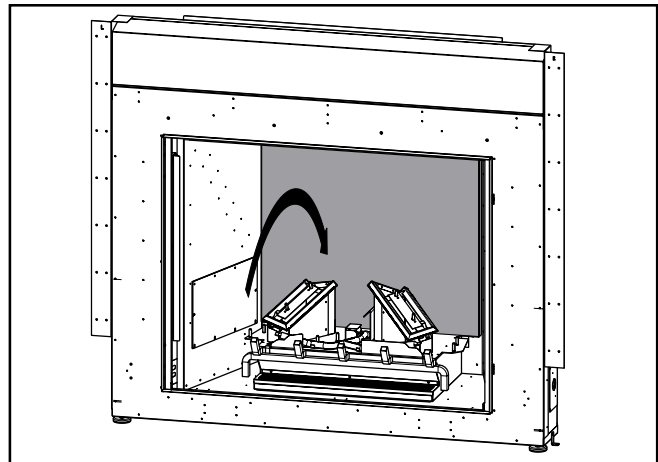
- NOTES**
- Brick/steel/glass panels may discolor a little during operation. This is normal and should not be considered a defect.
 - Black glass panels: All hand and fingerprints **MUST** be cleaned off with a soft cloth. Use an ammonia-based cleaner (i.e. glass cleaner) to remove prints before applying heat to the unit. Failure to do this will result in stains which you will be unable to remove - this issue is not covered by our product warranty.
 - Brick panels are soft and fragile. Use caution when handling the panels, being careful not to jar them or scratch the painted surfaces.

1. Carefully remove the panels from the box. They are fragile - handle with care and do not force them into position. If installed, remove the glass front prior to installing the panels.



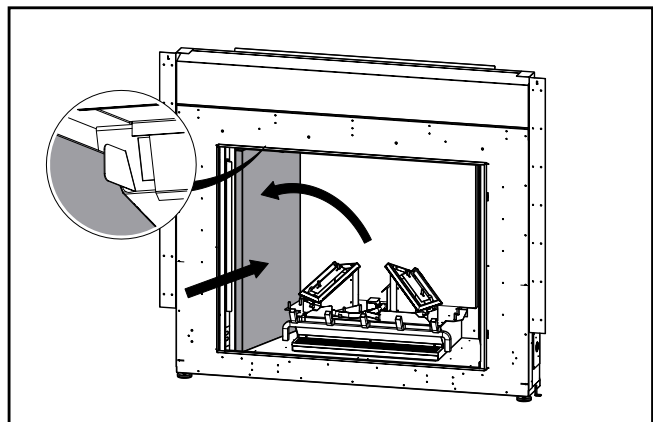
- *The front panel in the brick panel set is split into three parts.
 **The front panel in the steel/black glass panel set is a single part.

2. Insert the rear panel and hold in place while installing the left and right panels.

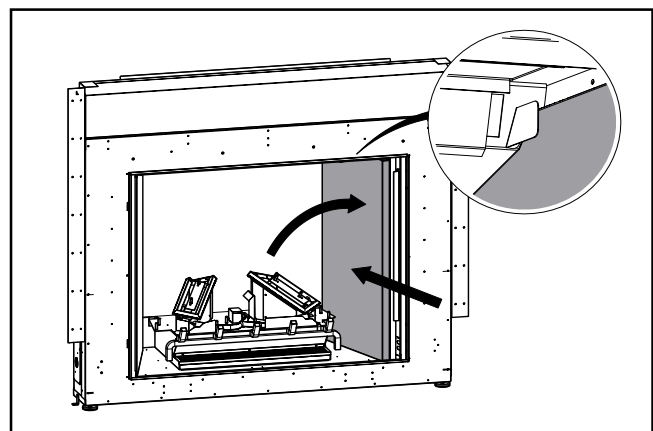


For brick/steel/glass panels:

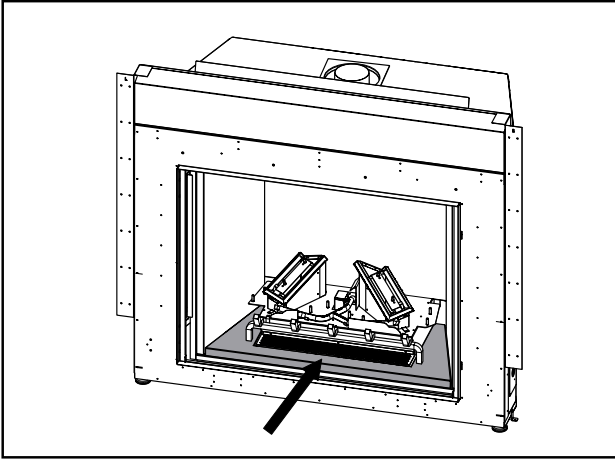
3. Insert the left panel by first angling it into position and then pushing it towards the rear until it touches the rear panel. The bracket at the top will hold the side panel upright.



4. Insert the right panel and push until it touches the rear panel.



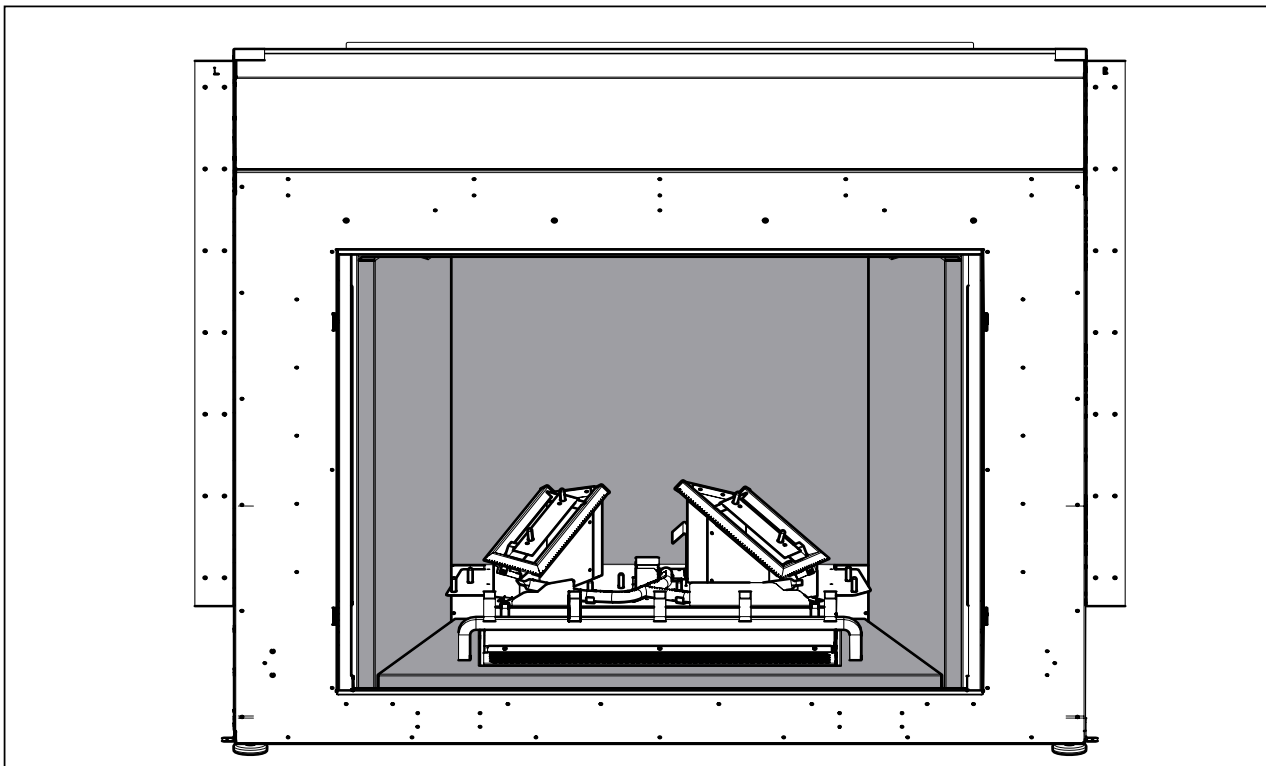
5. Install the front panel(s)* by sliding it through the front of the firebox and underneath the side grate legs.



NOTE *The front panel in the black steel/black glass panel set is a single part. The front panel for the brick panel set is split into three parts.

NOTE For Black Steel and Black Glass Liner Panels: Remove the two screws holding the grate and remove the grate. Install the front panel and then reinstall the grate.

6. Final installation.



installation

Log Set Installation

IMPORTANT

Read the instructions below carefully and refer to the images. If the logs are broken, do not use the unit until they are replaced. Improper positioning of the logs and may create carbon build-up and can alter the unit's performance. Issues caused by improper log positioning are not covered under warranty.

Prior to installing the log set, install the brick, painted, or glass panels.

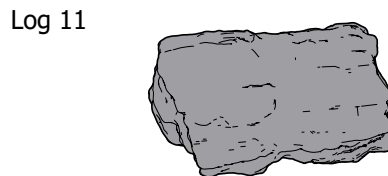
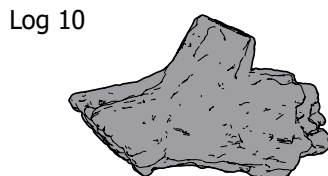
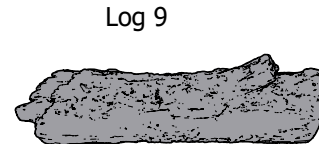
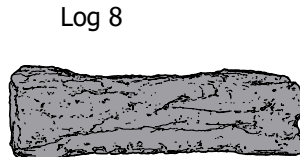
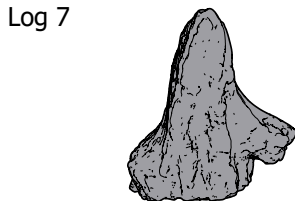
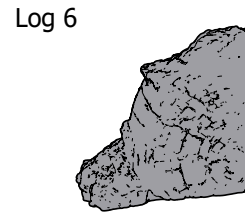
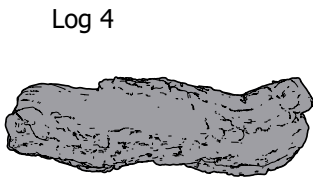
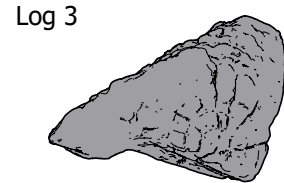
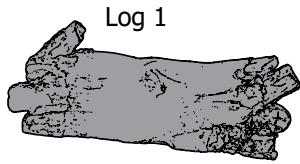
This log set includes:

1	Rear Log
2	Center Left Log
3	Center Right Log
4	Front Grate Left Log
5	Front Grate Right Log
6	Rear Left Log

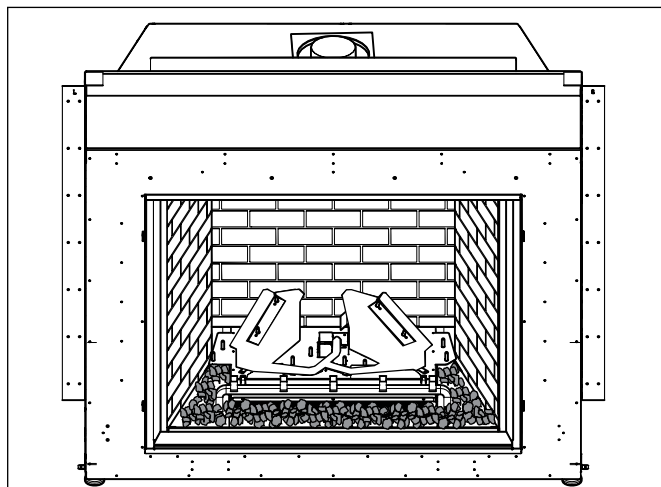
7	Rear Right Log
8	Front Left Log
9	Front Right Log
10	Bottom Left Log
11	Bottom Right Log

Accessories:
7lbs Amber Crushed Glass (Oak 796-934 or Birch 796-931)
5lbs Amber Crushed Glass (Driftwood 796-930)
1 Bag Andiron Embers
1 Bag Vermiculite Crystals
12 Volcanic Stones (Driftwood 796-930 Only)

Carefully remove the logs from the box and unwrap them. The logs are fragile - handle with care, and do not force them into position.



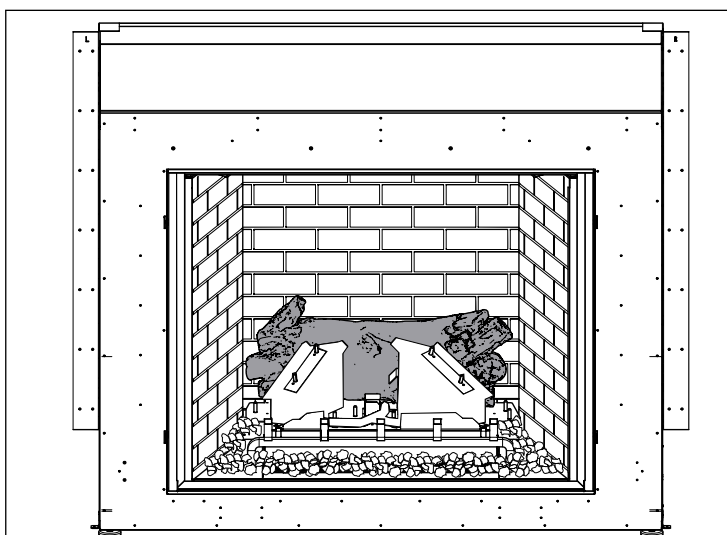
1. Fill the glass tray and outside of the burner tray with the 3/4" crushed glass. Mix black embers and the crushed glass to create a more realistic look. Sprinkle vermiculite crystals over glass/embers mix.



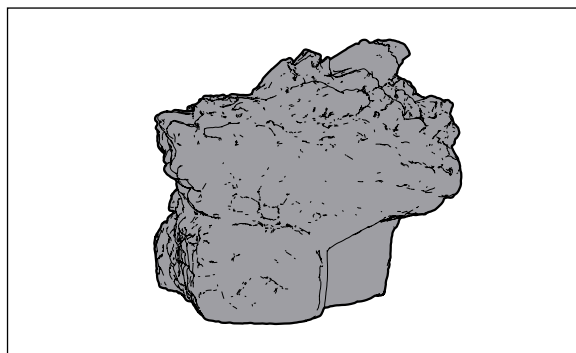
2. Carefully lay Log 1 on the two pins behind the burner.



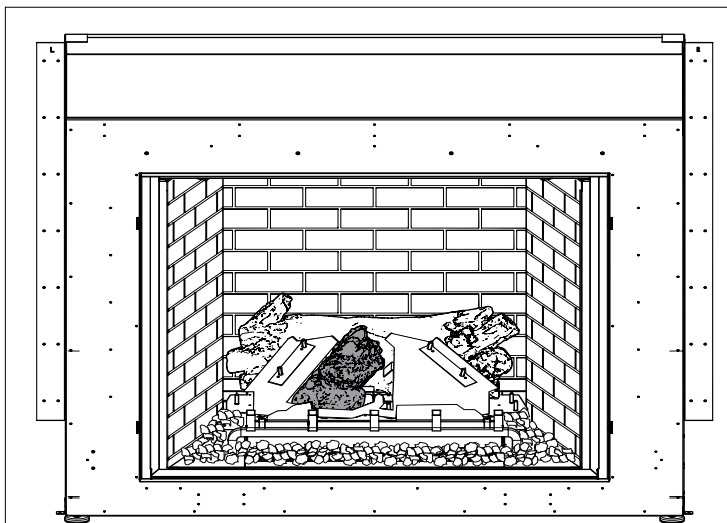
Log 1



3. Place Log 2 on the three left pins in front of log 1.

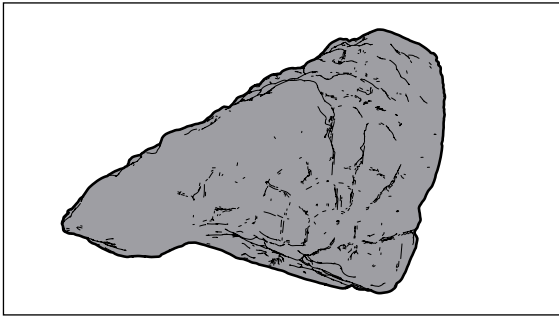


Log 2

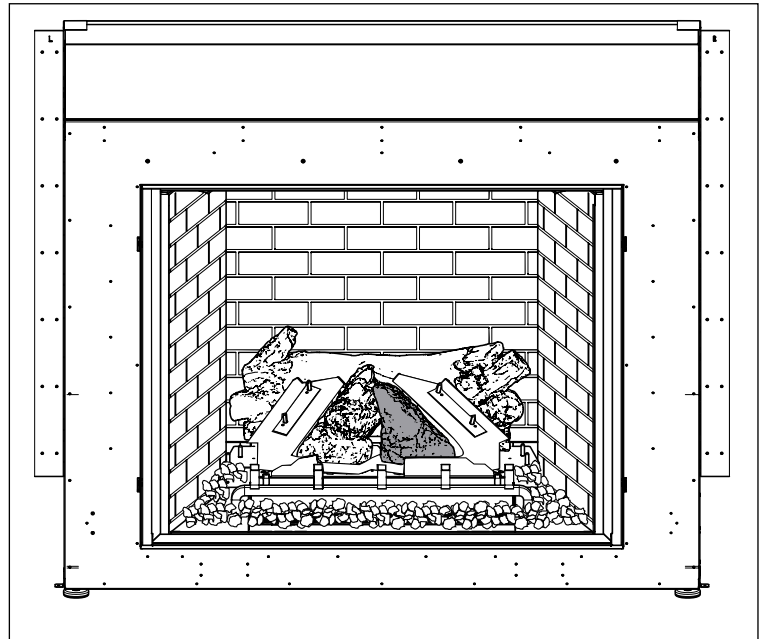


installation

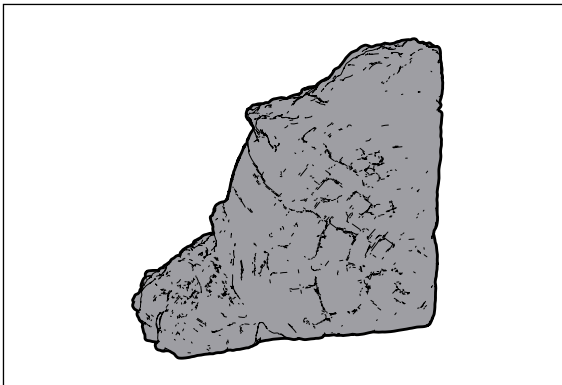
4. Place Log 3 on the three right pins in front of log 1.



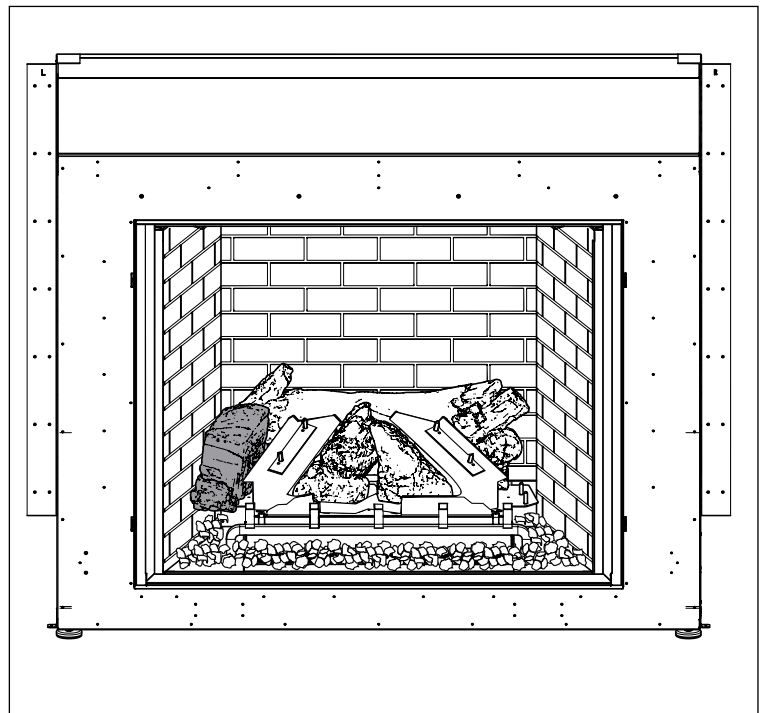
Log 3



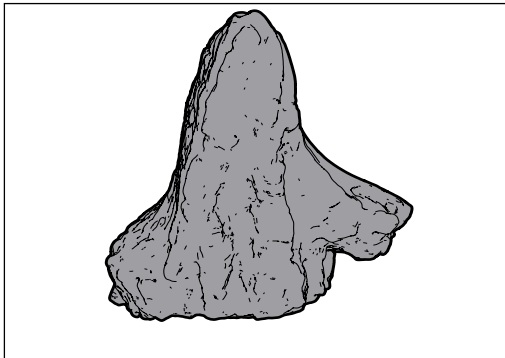
5. Place log 6 on the two pins left of the burner.



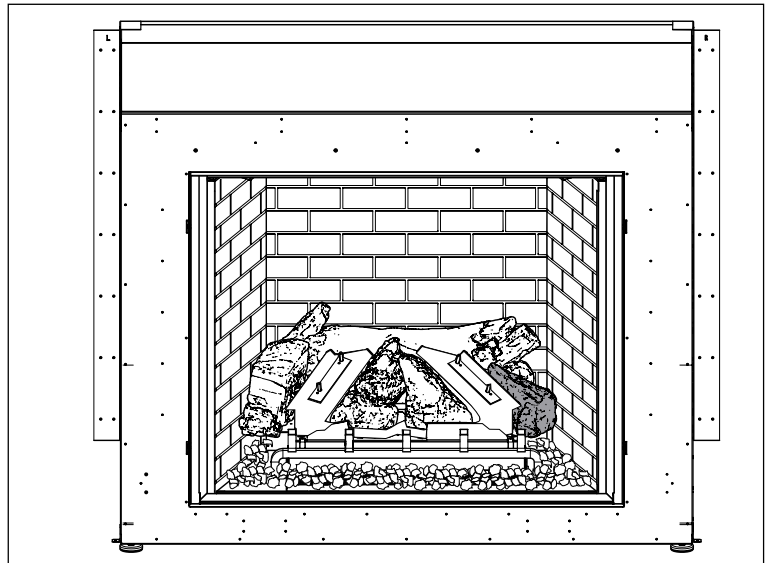
Log 6



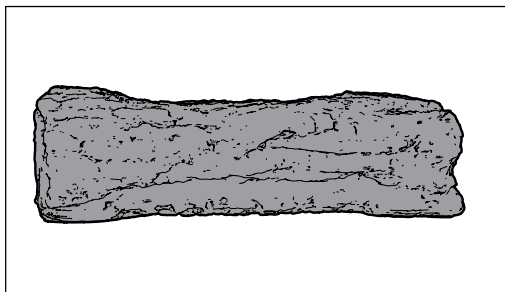
6. Place log 7 on the two pins right of the burner.



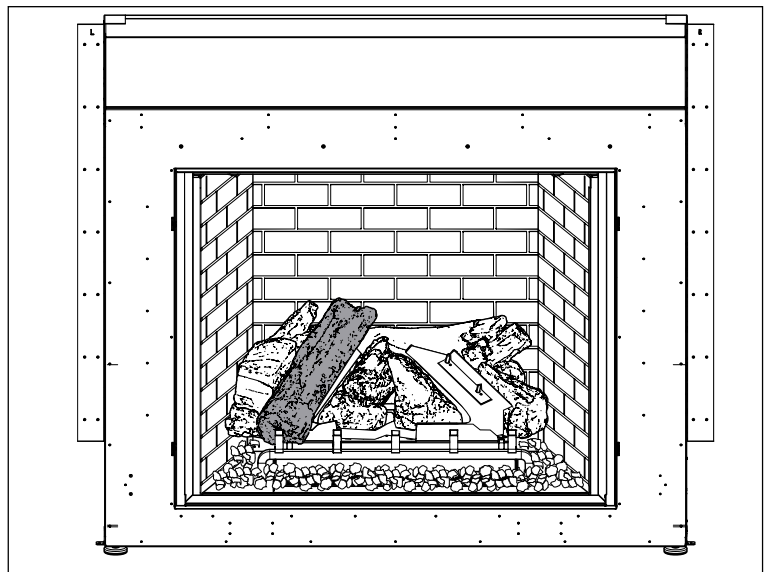
Log 7



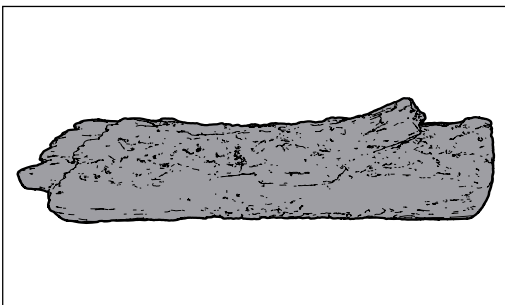
7. Place log 8 on the left end of the burner. The log rests on the two pins on top of the burner.



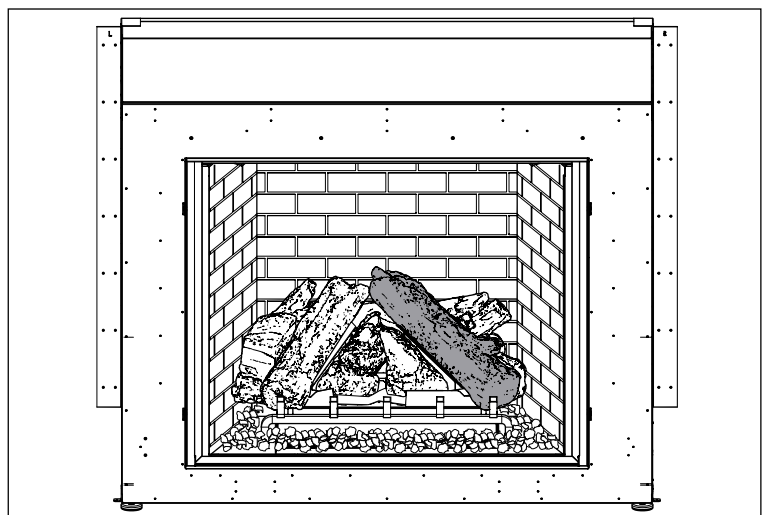
Log 8



8. Place log 9 on the right end of the burner. The log rests on the two pins on top of the burner.

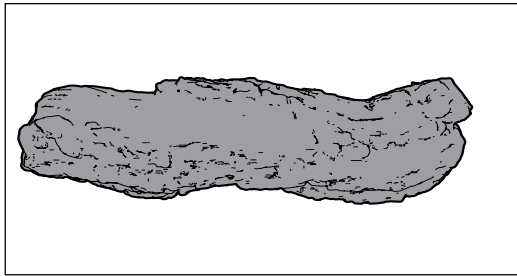


Log 9

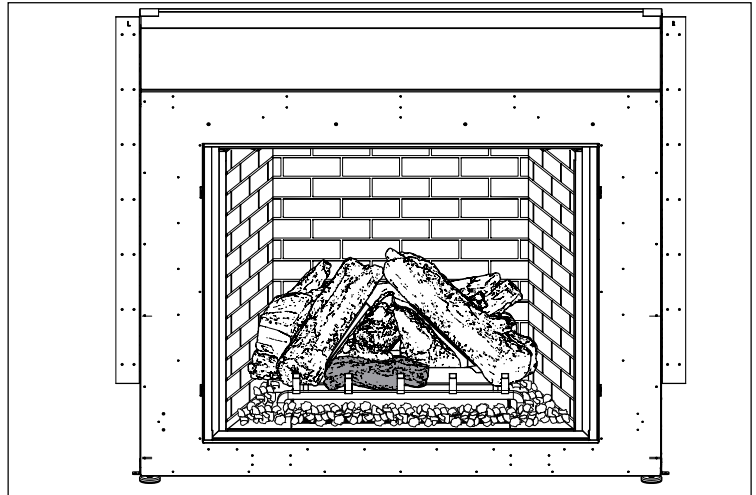


installation

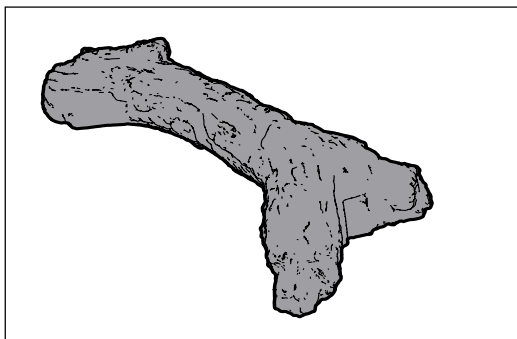
9. Place log 4 along the grate with the notch on the left side of log 4 sitting on the second grate bar and the right side of the log resting on the third grate bar.



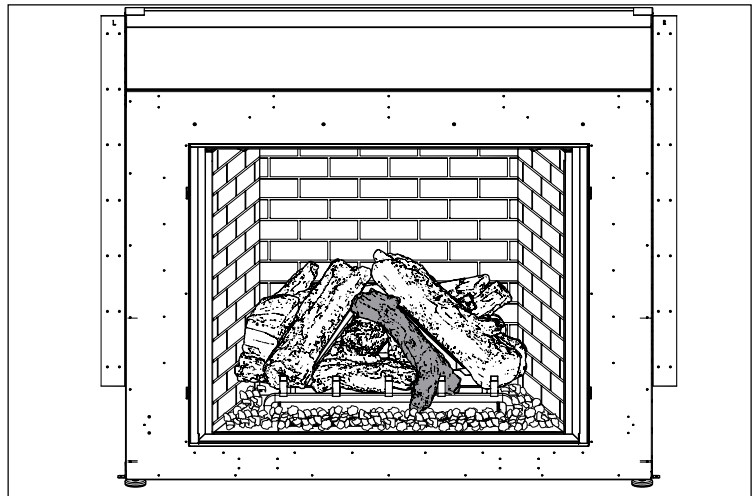
Log 4



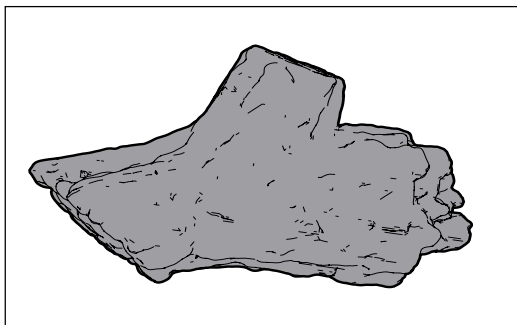
10. Place the split section of log 5 on the fourth grate bar. Rest the top of log 5 on log 2 and 3.



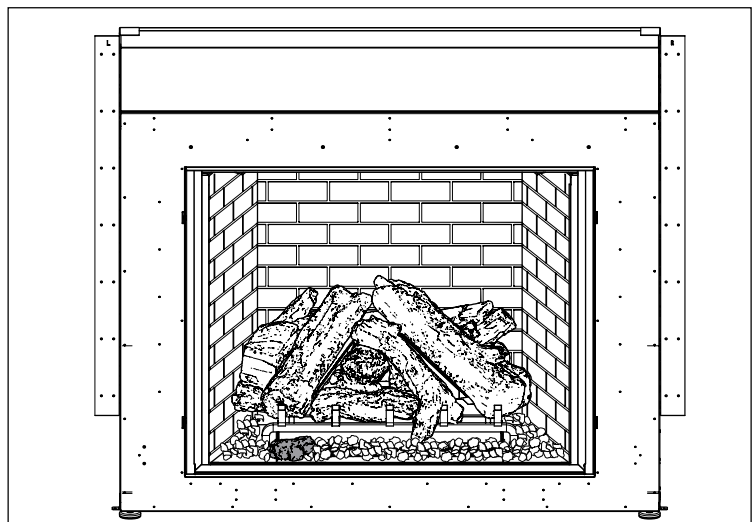
Log 5



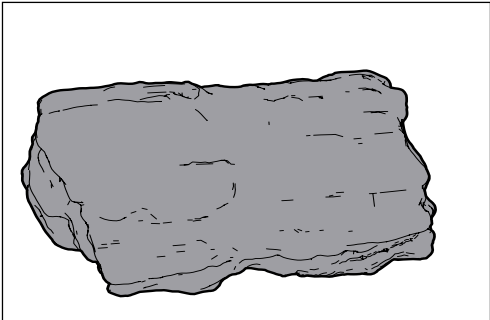
11. Place log 10 in front of the left side of the grate. Move crystals out of the way if necessary.



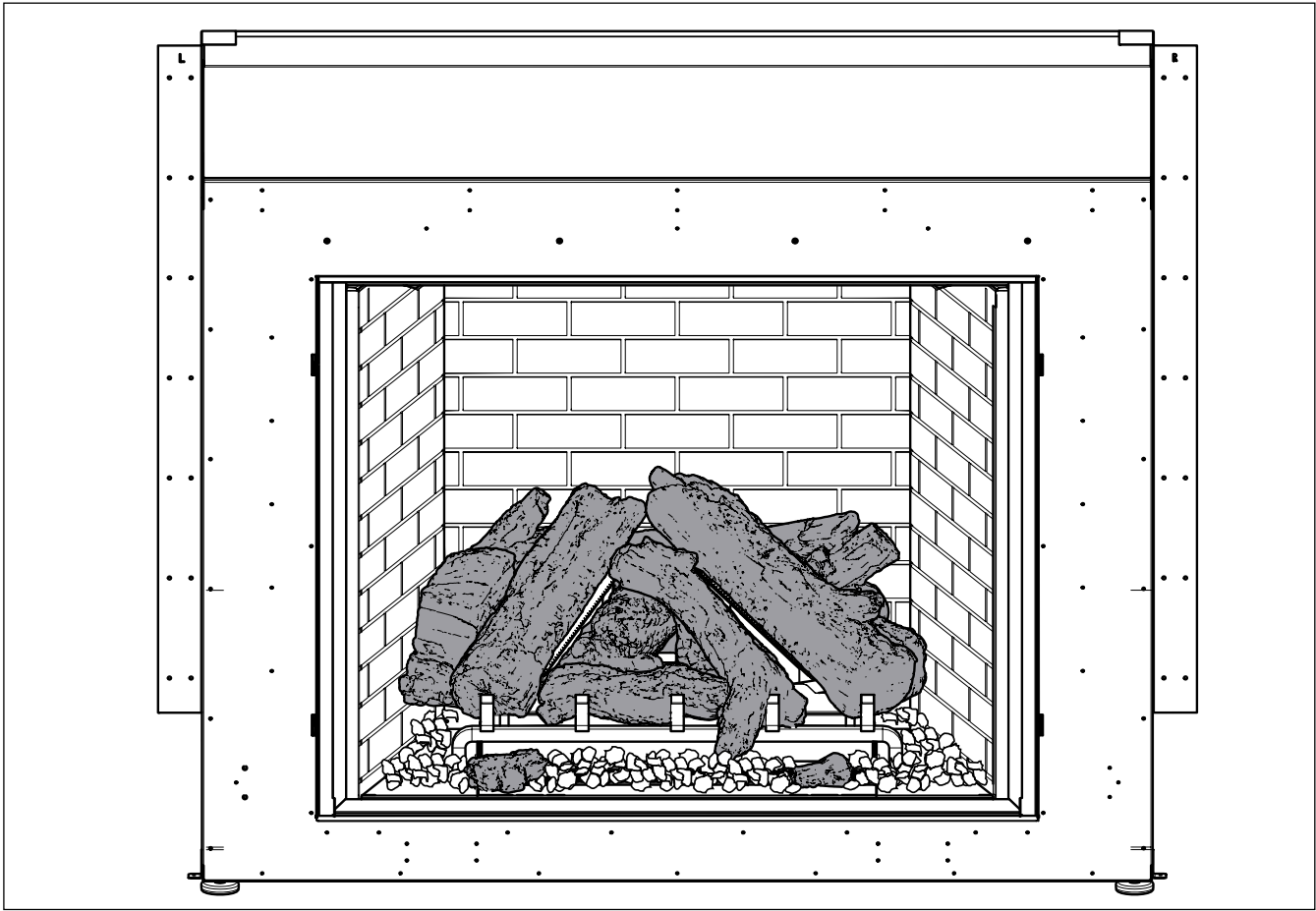
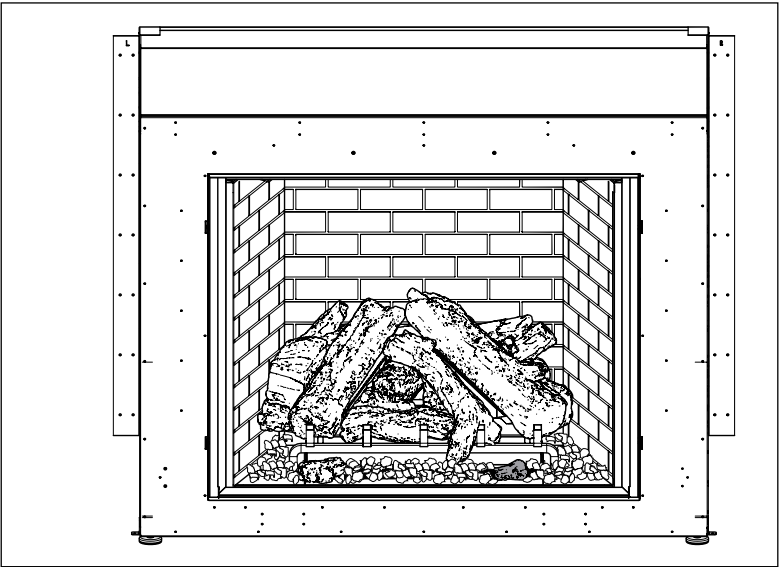
Log 10



12. Place log 11 in front of the left side of the grate. Move crystals out of the way if necessary.



Log 11



Final Placement

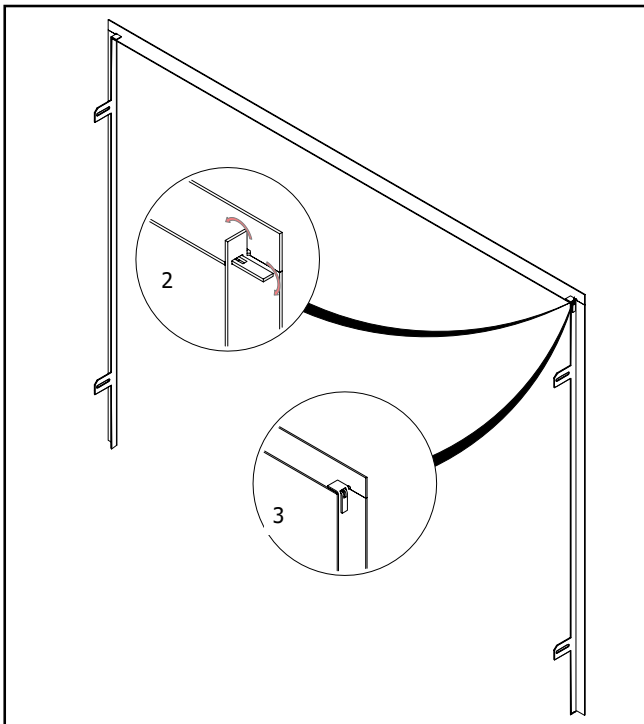
installation

3-Sided Finishing Trim Installation (Part # 796-912)

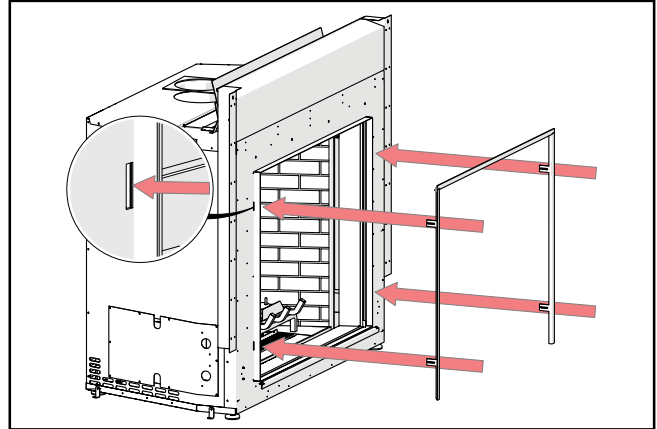
NOTE: This finishing trim can be adjusted from 1/2" (13 mm) minimum to 1-1/4" (32 mm) maximum depending on finishing depth. This finishing trim will not work with materials thicker than 1-1/4" (32 mm).

Quantity	Description
1	Top Finishing Trim
1	Right Sided Finishing Trim
1	Left Sided Finishing Trim

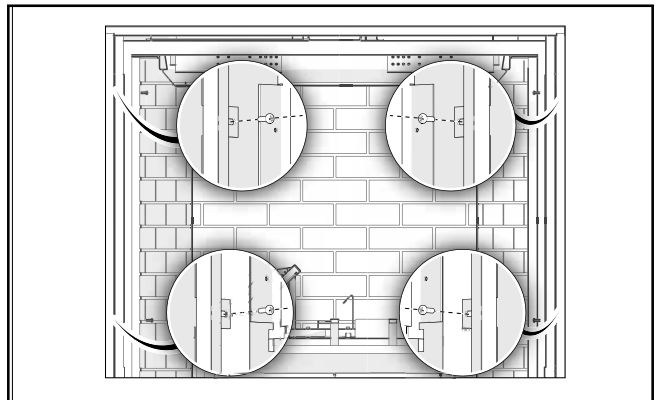
1. Lay the parts on a soft surface painted side down.
2. Insert the tab on the top side into the slot on the left side.
3. Fold both tabs down to secure.
4. Repeat for the right side.



5. Place the 3-sided faceplate assembly through the slot.



6. Fasten the four screws on both sides to attach the faceplate/finishing trim.

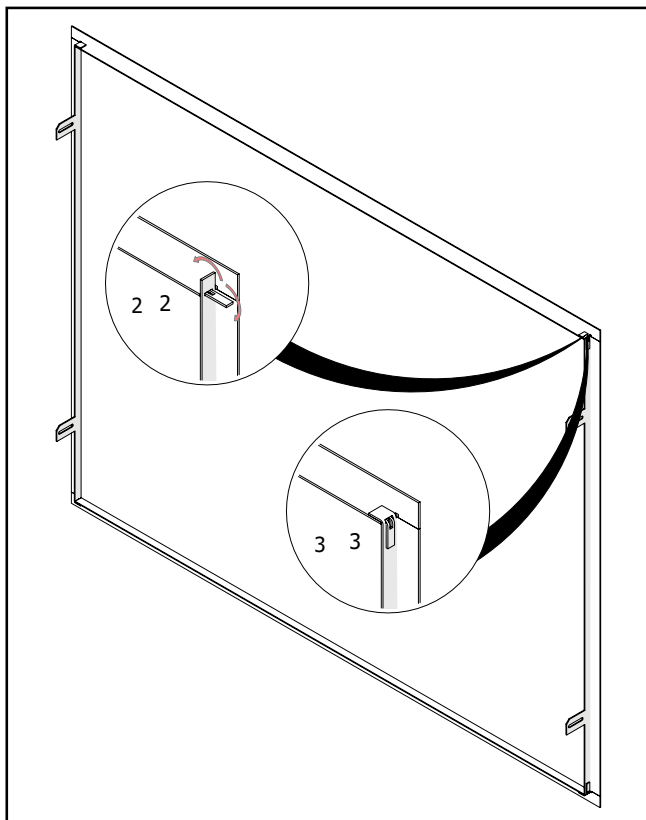


4-Sided Finishing Trim Installation (Part # 796-913)

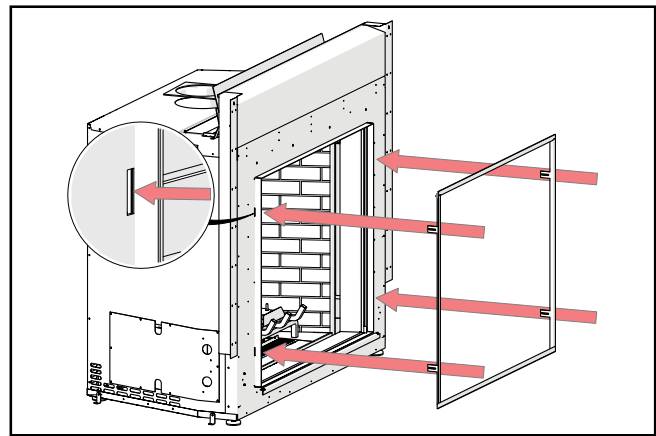
NOTE: This finishing trim can be adjusted from 1/2" (13 mm) minimum to 1-1/4" (32 mm) maximum depending on finishing depth. This finishing trim will not work with materials thicker than 1-1/4" (32 mm).

Quantity	Description
2	Top/Bottom Finishing Trim
1	Right Sided Finishing Trim
1	Left Sided Finishing Trim

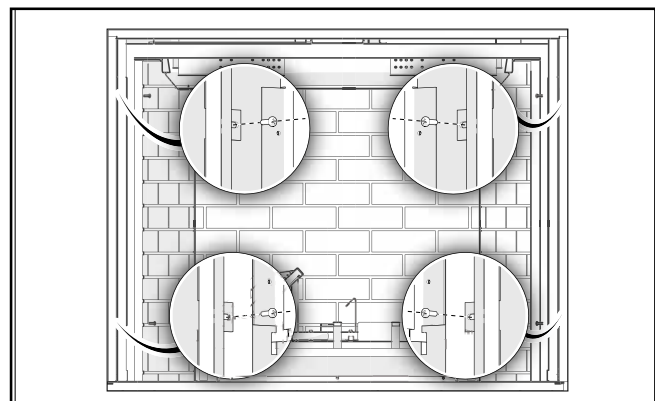
1. Lay the parts on a soft surface painted side down.
2. Insert the tab on the top side into the slot on the left side.
3. Fold both tabs down to secure.
4. Repeat for the other 3 corners.



5. Place the 4-sided faceplate assembly through the slot.



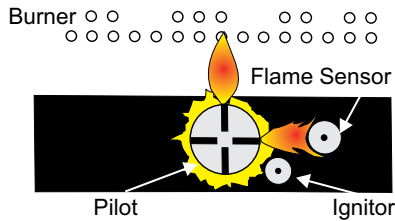
6. Fasten the four screws on both sides to attach the faceplate/finishing trim.



installation

Pilot Adjustment

Periodically check the pilot flames. Correct flame pattern has two strong blue flames: 1 flowing around the flame sensor and 1 flowing across the burner (it does not have to be touching the burner).



Note: If you have an incorrect flame pattern, contact your Regency® dealer for further instructions.

Incorrect flame pattern will have small, probably yellow flames, not coming into proper contact with the rear burner or flame sensor.

High Elevation

This unit is approved in Canada for altitude to 4500 ft. (CSA-2.17). For Natural Gas installations above 4500 ft. follow current CSA B149.1.

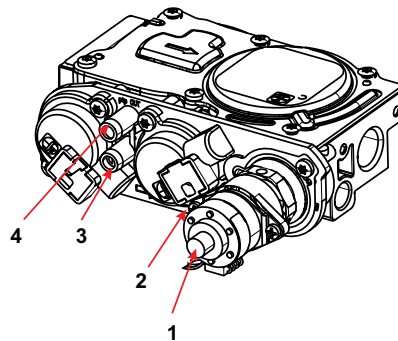
When an appliance is installed at elevations above the maximum elevation option provided, the input rate shall be reduced or air shutter opened further. For altitudes above 4500' the input rate shall be reduced at the rate of 4% for each additional 1000 ft (300 m). The input rate shall be reduced from the rate indicated for the highest altitude option provided.

This is to accurately adjust the input ratings of appliances certified for high altitude to ensure proper performance. The rated output of gas-burning appliances decreases with higher altitudes due to the reduction in atmospheric pressure.

At higher elevations, and as an alternative, air shutter settings may have to be opened more to compensate for the lack of air.

885 S.I.T. Valve Description

1. 6 Stage flame adjustment
2. Pilot adjustment
3. Inlet Pressure Tap
4. Outlet Pressure Tap
5. Pilot Outlet
6. Main Gas Outlet
7. Main Gas Inlet



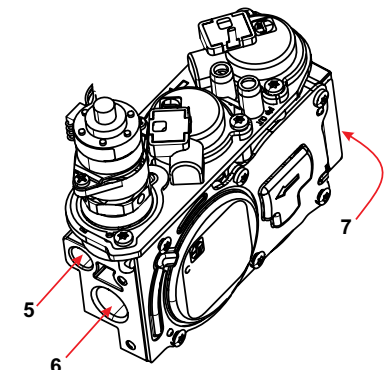
Gas Pipe Pressure Testing

The appliance must be isolated from the gas supply piping system by closing its individual manual shut-off valve during any pressure testing of the gas supply piping system at test pressures equal to or less than 1/2 psig. (3.45 kPa). Disconnect piping from valve at pressures over 1/2 psig.

The manifold pressure is controlled by a regulator built into the gas control, and should be checked at the pressure test point.

Note: To properly check gas pressure, both inlet and manifold pressures should be checked using the valve pressure ports on the valve.

1. Make sure the valve is in the "OFF" position.
2. Loosen the "IN" and/or "OUT" pressure tap(s), turning counterclockwise with a 1/8" wide flat screwdriver.
3. Attach manometer to "IN" and/or "OUT" pressure tap(s) using a 5/16" ID hose.
4. Light the pilot and turn the valve to "ON" position.
5. The pressure check should be carried out with the unit burning and the setting should be within the limits specified on the safety label.
6. When finished reading manometer, turn off the gas valve, disconnect the hose and tighten the screw (clockwise) with a 1/8" flat screwdriver. **Note: Screw should be snug, but do not over tighten.**



Wall Mount On/Off Switch and Battery Holder Installation Required for All installations

IMPORTANT INSTALLATION NOTE:

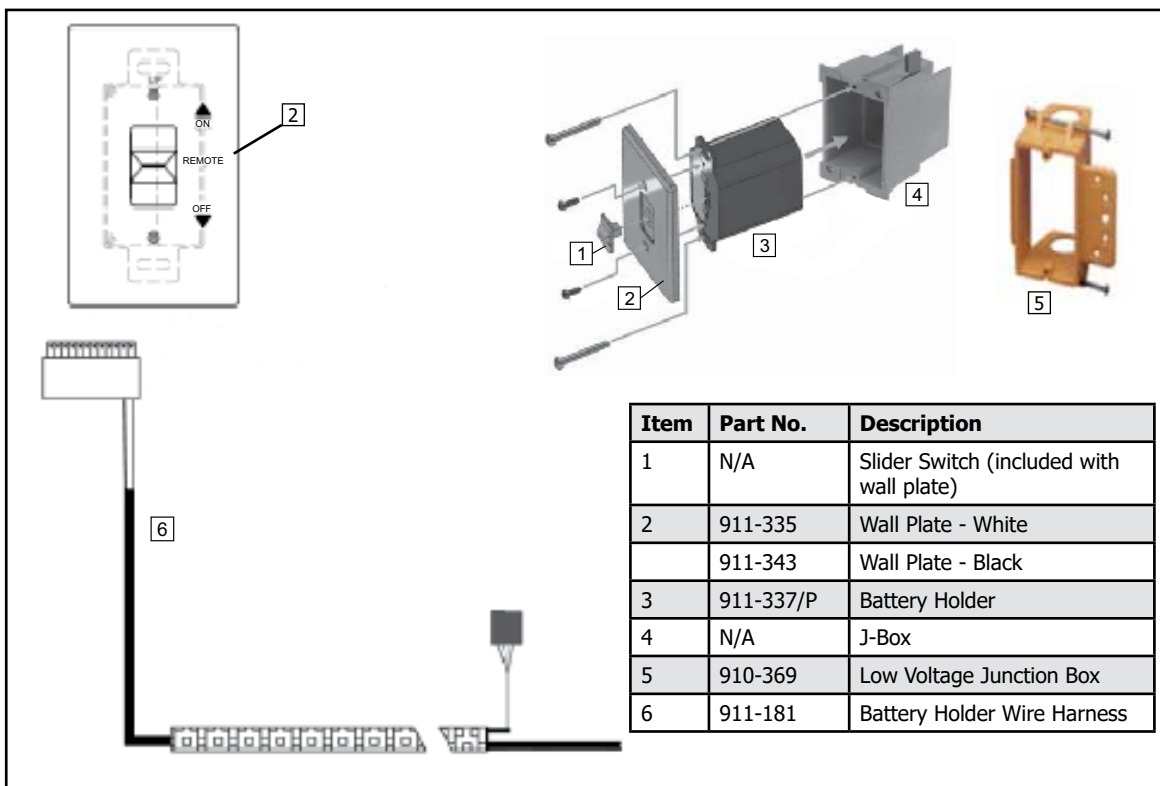
The Battery Holder must be placed inside the supplied (Low Voltage) junction type wall box and installed into the wall only.

DO NOT INSTALL WITHIN THE CONFINES OF THE FIREPLACE SWITCH MUST BE ACCESSIBLE

Battery Holder Installation

1. Install the low voltage junction box to the framing at the desired location, within 12 ft. from fireplace.
2. Feed the 6 pin connector wiring harness through the opening at the back of the junction box. The wiring harness is located near the gas valve and must be routed to the exterior of the fireplace from either the left or right side prior to finishing.
3. Connect the 6 pin connector to the back of the battery holder.
4. Install the battery holder in the low voltage junction box.
5. Insert the 4 AA type batteries (optional) in the battery compartment with the correct polarity.
Note: Batteries are only required for non power vent model. Batteries are only a secondary power source if 120 VAC power is lost. Batteries should only be placed inside the compartment if there is no 120 VAC supplied to the appliance or 120VAC power has been lost within home.
6. Place the slider into the cover plate.
7. Put the battery holder switch in the "OFF" position, to allow correct lineup for slider switch.
8. Make sure the battery holder and cover plate words "ON" and "UP" are on the same side.
9. Align the slider with the switch on the battery holder and couple the switch into the slider.
10. Align the screw holes.
11. Using the two (2) screws provided secure the cover plate to the battery holder.
12. For coding instructions, see full details in this manual.

Proflame Battery Holder



installation - general

Proflame Wall Mount Transmitter

WALL MOUNTING

The Proflame remote control/transmitter is supplied with an adapter for wall mounting. Install the controller 59" (1.5m) above the floor level, well away from heat sources, kitchens, doors or windows.

Metallic structures or radio interferences can reduce the operative distance of the device.

Make sure to attach the adapter in a level plane without any distortion. Proceed as follows:

- Detach the adapter from the body of the remote control (see Fig. A).
- Position the adapter on the wall, mark the points for the fixing holes and drill the wall.
- Fix the adapter on the wall using the mounting hardware supplied with the remote control.
- Insert the remote control onto the adapter as shown in Fig. B.



Fig. A: Detach the adapter from the body

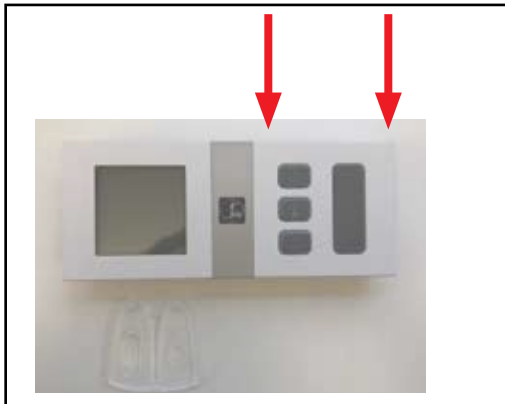


Fig. B: Adapter and remote control

Aeration Adjustment

The burner aeration is factory set but may need adjusting due to either the local gas supply or altitude. Open the air shutter for a blue flame or close for a more yellow flame.

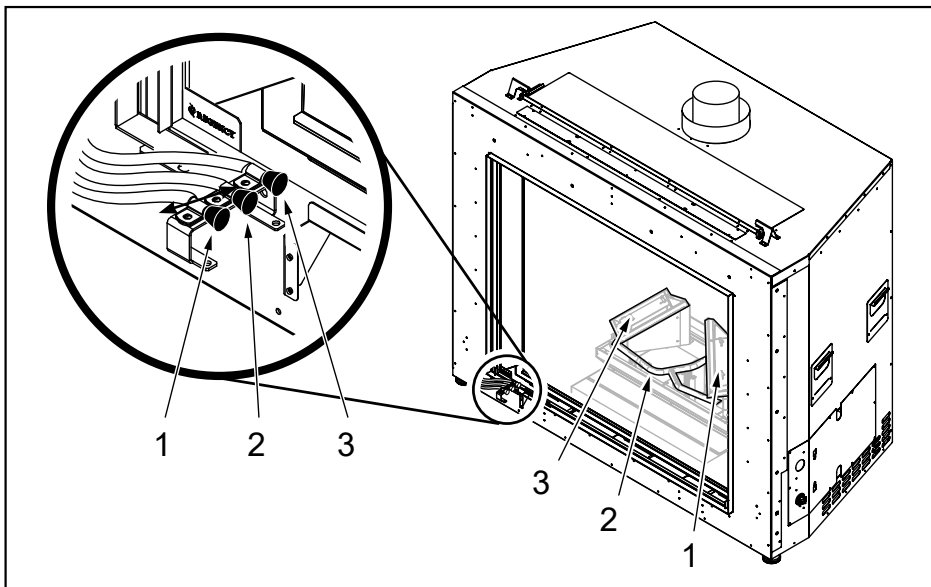
Note: Any damage due to carboning resulting from improperly setting the aeration controls is NOT covered under warranty.

Knob #1 - Right Burner (pull out to open, push in to close)
 Knob #2 - Center Burner (pull out to open, push in to close)
 Knob #3 - Left Burner (pull out to open, push in to close)

Minimum Air Shutter Opening:

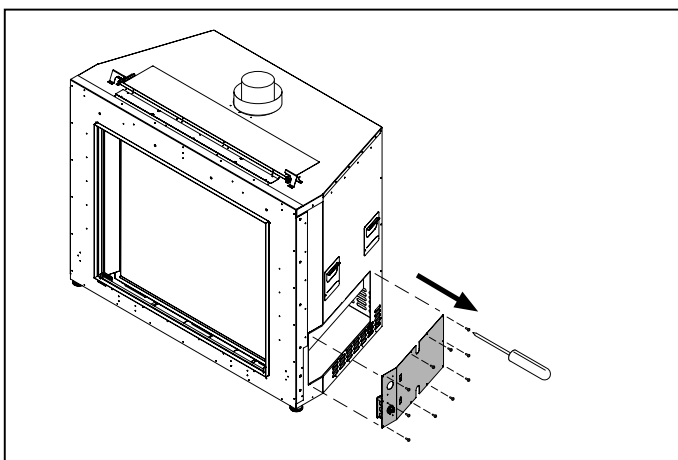
NG 1/8" (3.2 mm) all burners
 LP 5/16" (8 mm) all burners

CAUTION: Carbon will be produced if air shutter is tightly closed.



Air shutter adjustment knobs - located to the left under the bottom cover panel

Electrical Access and Installation



The electrical access panel is on the right side of the unit (when facing the front of unit).

1. Remove outer side panel by removing ten (10) screws and remove center knockout to run cable through the access panel and install supplied clamp.
2. Attach wires from cable to supplied white receptacle and secure to gang box. Screw the receptacle cover to gang box. Reinstall outer panel by securing ten (10) screws removed in step 1.
3. The 120 volt power cord supplied with appliance will need to be plugged into the receptacle only once the install is complete.

NOTE: The appliance when installed, must be electrically grounded in accordance with local codes, or in the absence of local codes with the current National Electrical Code, ANSI/NFPA 70 or CSA C22.1 Canadian Electrical Code.

installation

Wiring Diagram

WARNING

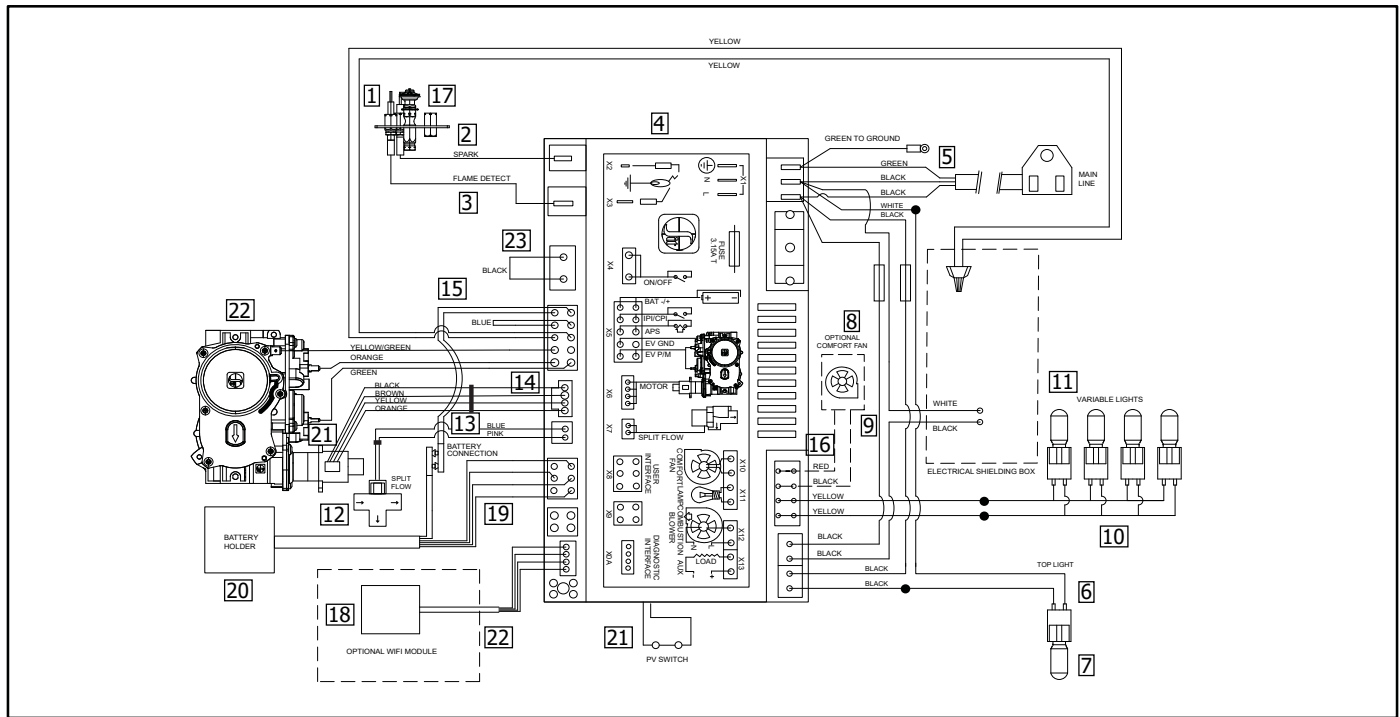
This appliance is equipped with a three pronged (grounding) plug for your protection against shock hazard. Plug it into a properly grounded three-prong receptacle. Do not cut or remove the grounding prong.

NOTE

Install AA batteries into the back-up battery compartment for this unit to operate when power is lost. See battery back-up instructions in this manual. The optional fan and lights will not operate on battery power.

CAUTIONS

- Label all wires prior to disconnection when servicing controls. Wiring errors can cause improper and dangerous operation. Verify proper operation after servicing.
- Ensure that the wires do not touch a hot surface and are away from sharp edges.



Item	Part No.	Description
1	911-280	Pilot Assembly NG
1	911-281	Pilot Assembly LP
2	911-038	Spark Electrode
3	911-037	Flame Sensor Electrode
4	911-311	PFII IFC Board
5	911-333	Power Harness w/Aux Connector
6	911-415	Light Assembly Top including 71" Long Wires
7	911-072	Halogen Light Bulb
8	796-917	Fan Kit
9	911-177	Wire 4 pos IFC Fan/Light
N/S	911-418/P	Comfort Fan Motor Replacement
10	911-416	Light Assembly Bottom

Item	Part #	Description
11	911-297	Halogen Bulb (Each)
12	911-421	Split Flow Valve
13	911-412	Wire Extension Split Flow Valve 48"
14	911-413	Stepper Motor Extension Wire Harness
15	911-414	Wire Harness Valve 66"
16	911-423	Wire Harness Fan/Bottom Lights
17	911-039	Pilot Hood Only 2 Way
18	946-799	WIFI Dongle
19	911-181	Wire Harness Battery Box
20	911-337/P	Battery Holder
21	911-010	Stepper Motor-NG
21	911-011	Stepper Motor-LP

Item	Part #	Description
22	911-084	Valve-NG
22	911-085	Valve-LP
23	911-193	Jumper Wire

Installing the Optional Fan Prior to Unit Installation Into Framing (Recommended - Part # 796-917)

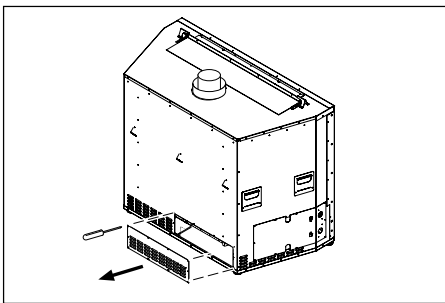
Note: Fan option is not permitted with Cool Wall Installation.

Important: 120 Volt AC power is needed for the blower. The receptacle box will be installed on the right hand side of the unit and will need to be wired by a qualified electrician prior to fan assembly being installed.

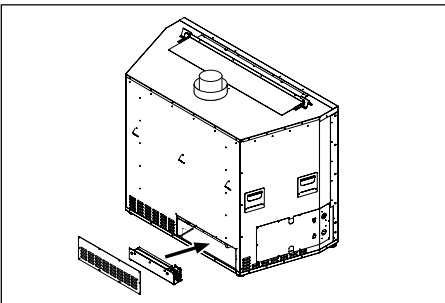
Unit must be grounded at all times. Do not cut the ground terminal off under any circumstances.

If installing Optional Fan after unit has been installed with no access to the rear of the unit, see next page.

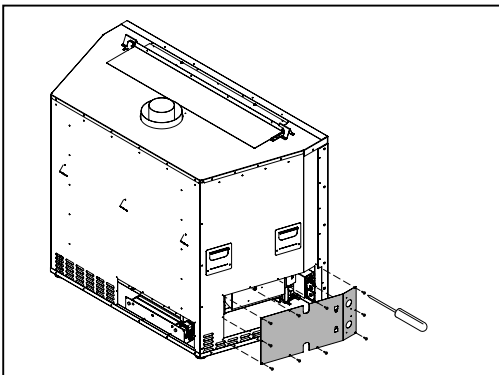
1. Ensure power is shut off to the unit.
2. From the back of the unit - remove 10 screws from the fan access panel (locations shown below).



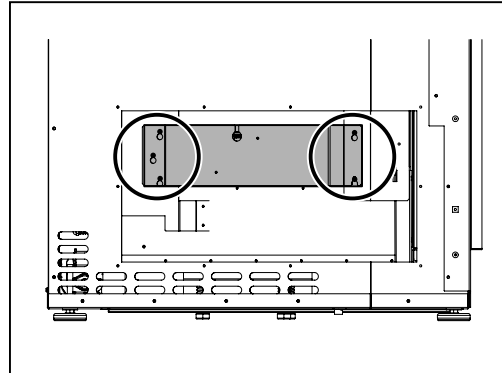
3. Install fan assembly onto pins on unit floor.



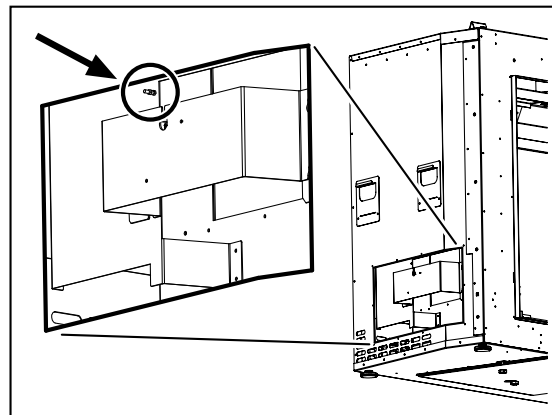
4. Remove protective cap from pre-wired black and red fan wires.
5. Connect red + black fan wires to the fan motor terminals.
6. Remove the left side gas access panel by removing 10 screws.



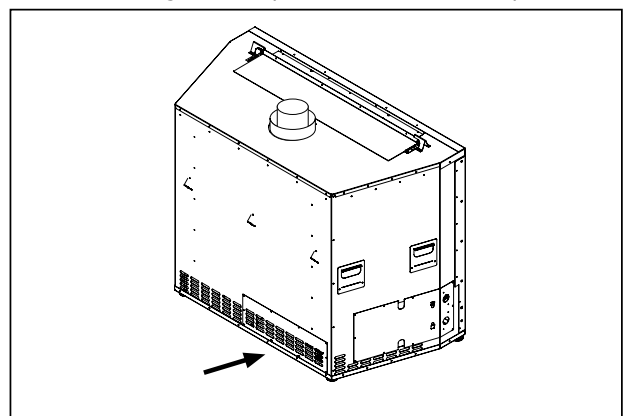
7. Loosen 5 screws (3 on left & 2 on right) and lift the split flow valve bracket up and out to reveal the ground lug.



8. Connect the fan ground wire to the ground lug.



9. Re-install the split flow valve bracket and tighten the screws.
10. Re-install the gas access panel and the fan access panel.

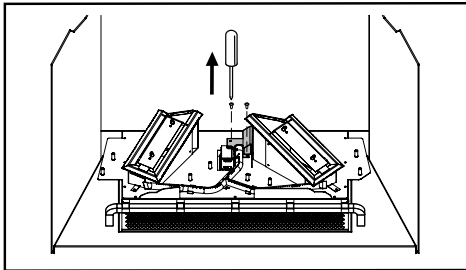


installation

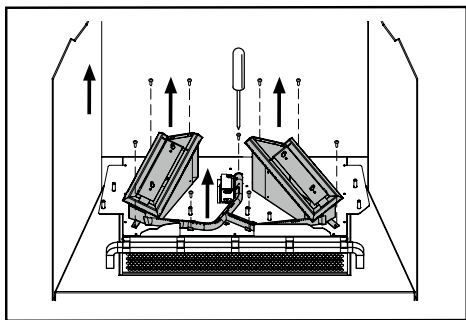
Fan Install After Unit Installation

Note: Part # 796-980 Fan Service Gasket Kit must also be purchased separately. This includes a rear pressure relief gasket & split flow valve access plate gasket.

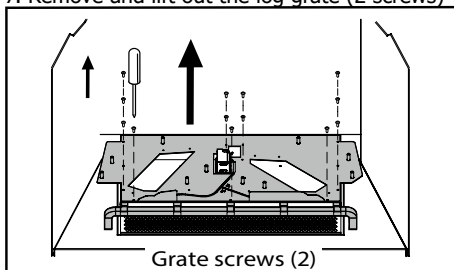
1. Shut off the gas and electrical supply.
2. Remove the safety screen and cover panels.
3. Remove the glass door*.
4. Remove the logs, glass media, and any other media* if already installed.
5. Remove the burner cover plate by removing 2 screws.



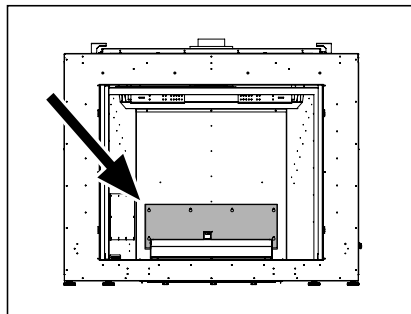
6. Remove the left and right then the middle burners by removing 3 screws each and lifting them directly up and out.



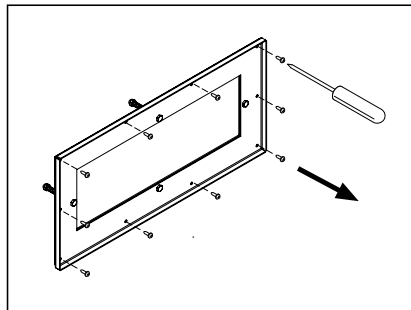
7. Remove and lift out the log grate (2 screws)



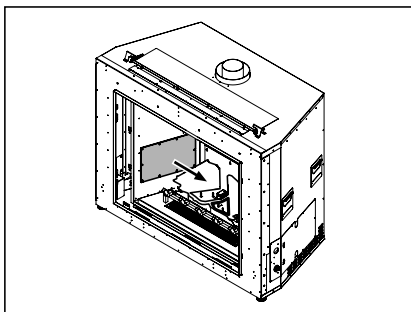
8. Remove side panels by pulling one side first and angling it into position, then pulling it out.
9. While holding the back panel with one hand, remove the other panel by following the previous step.
10. Angle the back panel forward and pull it out.
11. Remove rear plate by removing the 2 bottom screws and loosening the 4 top screws. Then, lift the rear plate up and out. Show image of rear plate.



12. Remove the rear relief door by removing 10 screws (5/16).



13. To remove the split flow valve access plate, first loosen the bottom 4 screws and then remove the top 6 screws. After that, carefully pull the access plate forward and up.



To insert fan assembly, follow these steps:

14. Locate the left grommet on the left base of the fan assembly.
15. Insert the left grommet into the left pin, which can be seen by looking inside the split flow valve access opening.
16. Locate the right grommet on the right base of the fan assembly.
17. Insert the right grommet into the right pin, which can be seen by looking inside the relief door opening.
18. Ensure that the fan assembly is seated correctly onto the left and right pins.

To connect fan wires, follow these steps:

19. Locate the pre-wired fan wires which are red and black in color.
20. Remove the 2 yellow protective caps from the wires.
21. Find the fan motor and identify the connection points.
22. Connect the red and black wires to the terminals of the fan motor.
23. Locate the ground lug on the right side of the split flow valve bracket.
24. Install the ground wire onto the ground lug to ensure proper grounding.
25. Ensure that all connections are secure and properly tightened.
26. Reinstall the split flow valve access plate with a new gasket (contained in the 796-980 Fan Service Gasket Kit) using 10 screws.
27. Reinstall the rear relief door with a new gasket (contained in the 796-980 Fan Service Gasket Kit) using 10 hex screws (5/16).
28. Reinstall the rear relief plate using 6 screws.
29. Reinstall the burner tray and grate using 10 screws.
30. Reinstall the 3 burners, using 3 screws for each.
31. Reinstall the burner cover plate with 2 screws.
32. Reinstall the back and side panels.
33. Reverse steps 4 to 1.

TO REMOVE THE FAN

1. Shut the power off.
2. Reverse the above instructions.

Note: The bearings are lubricated for life. Do not lubricate them. Make sure you vacuum the fan area on a regular basis.

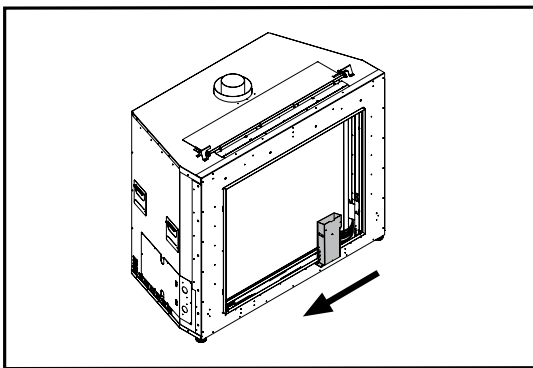
IMPORTANT: These fans collect a lot of dust from within your home. Ensure you maintain these fan motors on a regular basis by vacuuming out the fan blades and housing using a soft brush nozzle.

CAUTION
Label all wires prior to disconnection when servicing controls.
Wiring errors can cause improper and dangerous operation.
Verify proper operation after servicing.

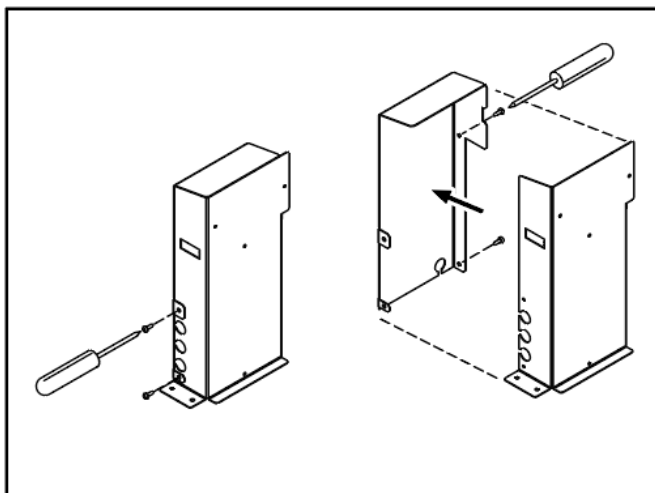
WIFI Dongle Installation (Part # 946-799)

CAUTION: The gas supply must be shut off to the appliance & 120 Volt AC power must be disconnected, before proceeding with the WIFI kit installation.

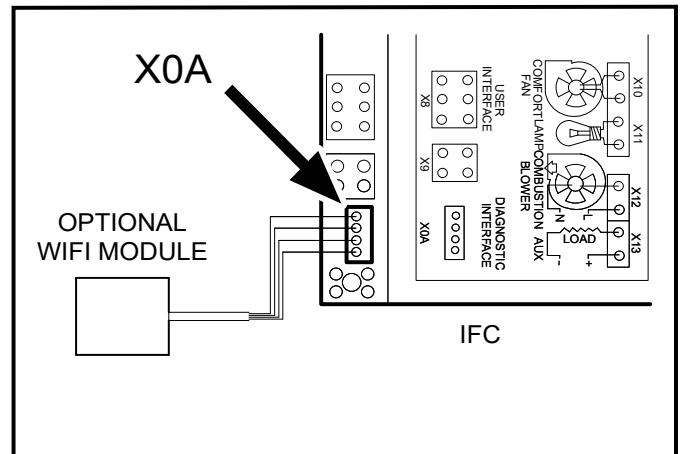
1. Do not begin until the unit has fully cooled down.
2. Remove the Screen Barrier. See Section: Safety screen removal / Installation.
3. Remove the glass door: See Section: glass door removal / Installation.
4. Remove cover panels. See section "Cover Panel Removal".
5. Remove the two screws holding the IFC box in place and slide out for access.



6. Remove the four (4) screws and the IFC cover.

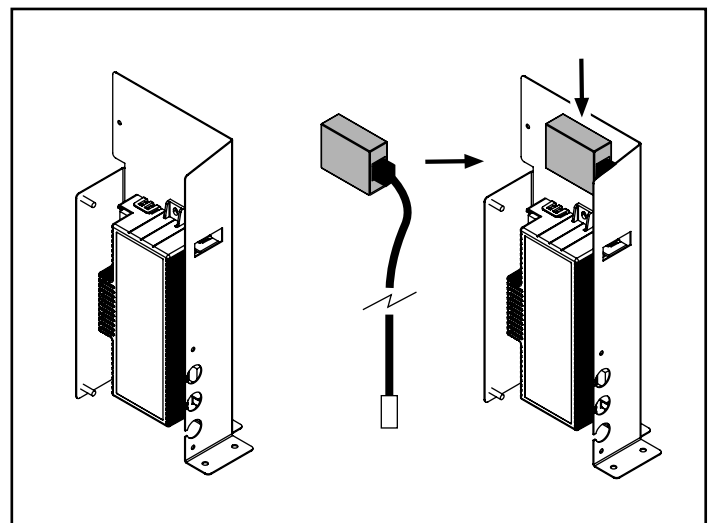


8. Locate the dongle connection X0A on the IFC module.



9. Line up the tabs on the dongle with the notches on the IFC connection and insert the WI FI module cable into the connection.

10. Install the WI FI dongle to the IFC bracket using velcro from kit.



11. Reverses steps 1-7.

See QR code below or on box from this WI FI kit to install the Proflame app.



operating instructions

Operating Instructions

1. Read and understand these instructions before operating this appliance.
2. Check to see that all wiring is correct and enclosed to prevent possible shock.
3. Check to ensure there are no gas leaks.
4. Make sure the glass in the glass door frame is properly positioned. Never operate the appliance with the glass removed.
5. Verify that the venting and cap are unobstructed.
6. The unit should never be turned off, and on again without a minimum of a 60 second wait.

First Fire

The **FIRST FIRE** in your heater is part of the paint curing process. To ensure the paint is properly cured, it is recommended you burn your fireplace for at least four (4) hours the first time.

When first operated, the unit will release an odour caused by the curing of the paint and the burning off of any oils remaining from manufacturing. Smoke detectors in the house may go off at this time. Open a few windows to ventilate the room for a couple of hours. The glass may require cleaning. Also certain silicones, adhesives or finishing materials may release an odor which may take an extended time for it to cure.

NOTE: When the glass is cold and the appliance is lit, it may cause condensation and fog the glass. This condensation is normal and will disappear in a few minutes as the glass heats up.

DO NOT ATTEMPT TO CLEAN THE GLASS WHILE IT IS STILL HOT!

DO NOT BURN THE UNIT WITHOUT THE GLASS DOOR IN PLACE.

During the first few fires, a white film may develop on the glass front as part of the curing process. The glass should be cleaned after the unit has cooled down or the film will bake on and become very difficult to remove. Use a non-abrasive cleaner and DO NOT ATTEMPT TO CLEAN THE GLASS WHILE IT IS HOT.

Normal Operating Sounds of Gas Appliances

It is possible that you will hear some sounds from your gas appliance. This is perfectly normal due to the fact that there are various gauges and types of steel used within your appliance. Listed below are some examples. All are **normal operating sounds** and should not be considered as defects in your appliance.

Burner Tray:

The burner tray is positioned directly under the burner and is made of a different gauge material from the rest of the firebox and body. Therefore, the varying thicknesses of steel will expand and contract at slightly different rates which can cause "ticking" and "cracking" sounds. You should also be aware that as there are temperature changes within the unit these sounds will likely re-occur. Again, this is normal for steel fireboxes.

Pilot Flame:

While the pilot flame is on it can make a very slight "whisper" sound.

Gas Control Valve:

As the gas control valve turns ON and OFF, a dull clicking sound may be audible, this is normal operation of a gas regulator or valve.

Unit Body/Firebox:

Different types and thicknesses of steel will expand and contract at different rates resulting in some "cracking" and "ticking" sounds will be heard throughout the cycling process.

Proflame II Battery Holder Battery Replacement & Battery Pack up if 120 Volt Power is lost

IMPORTANT:

Non-Power Vent Model: Install the 4 AA batteries during power outages to run the main burner. However, the lights & optional fan will not operate.

Power Vent Model: This appliance will not operate if 120 volt power is lost within the home. This will not operate with 4 AA batteries due to the power vent blower motor requiring AC power to operate.

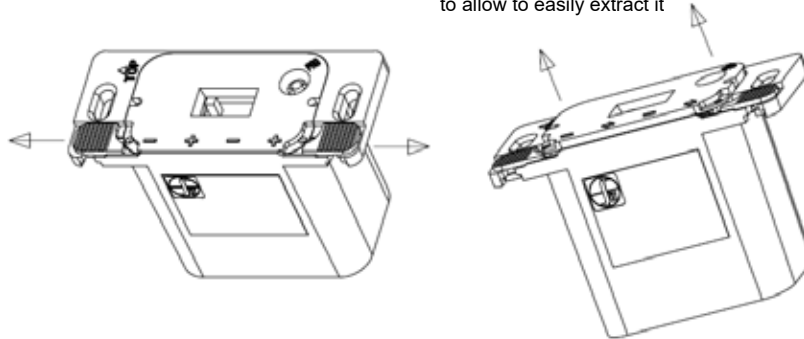
How to replace/add the batteries on battery holder (Proflame 2).

Note : If a wall switch cover plate is installed, first remove cover plate by removing 2 small phillips head screws

STEP 1

Move both the left/right slides as shown below.

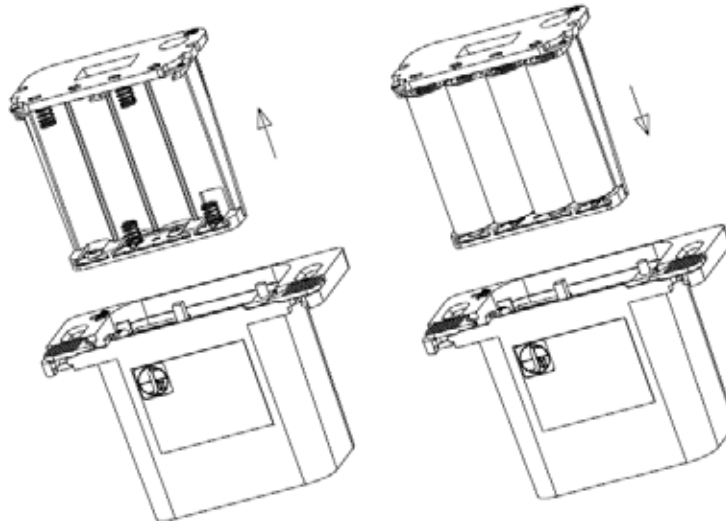
The battery compartment will be pushed out slightly, to allow to easily extract it



STEP 2

Extract the battery compartment from the remote receiver/battery holder

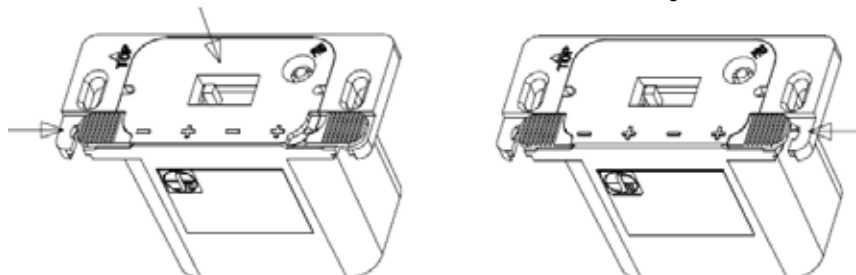
Replace 4 x AA batteries and insert the battery compartment back into remote receiver/battery holder



STEP 3

Keeping the battery compartment pressed in, close the left slide

Close the right slide



STEP 4 Reinstall wall cover plate with 2 Phillips head screws.

Copy of Lighting Plate Instructions

FOR YOUR SAFETY READ BEFORE LIGHTING POUR VOTRE SÉCURITÉ – À LIRE AVANT LA MISE EN MARCHÉ

WARNING: If you do not follow these instructions exactly, a fire or explosion may result causing property damage, personal injury or loss of life. Improper installation, adjustment, alteration, service or maintenance can cause injury or property damage. Refer to the owner's information manual provided with this appliance. For assistance or additional information consult a qualified installer, service agency or gas supplier.

AVERTISSEMENT : Quiconque ne respecte pas scrupuleusement les instructions de la présente notice risque de déclencher un incendie ou une explosion pouvant entraîner des dégâts matériels ou des blessures pouvant être mortelles. Tout défaut d'installation, de réglage, de modification, de service ou d'entretien peut entraîner des blessures ou des dommages matériels. Reportez-vous au manuel d'utilisation fourni avec cet équipement. Pour obtenir de l'aide ou des informations complémentaires, consulter un installateur ou un service d'entretien qualifié, ou le fournisseur de gaz.

- A) This appliance is equipped with an ignition device which automatically lights the pilot.
Do not try to light the pilot by hand.
- B) **BEFORE OPERATING** smell all around the appliance area for gas. Be sure to smell next to the floor because some gas is heavier than air and will settle on the floor.
WHAT TO DO IF YOU SMELL GAS
- Do not try to light any appliance.
 - Do not touch any electric switch, do not use any phone in your building.
 - Leave the building immediately.
 - Immediately call your gas supplier from a neighbours phone. Follow the gas supplier's instructions.
 - If you cannot reach your gas supplier, call the fire department.
- C) Do not use this appliance if any part has been under water. Immediately call a qualified service technician to inspect the appliance and to replace any part of the control system and any gas control which has been underwater.
- A) Cet appareil est muni d'un dispositif d'allumage qui allume automatiquement la veilleuse.
Ne tentez pas d'allumer la veilleuse manuellement.
- B) **AVANT LA MISE EN MARCHÉ**, reniflez tout autour de l'appareil pour déceler une odeur de gaz. Reniflez au niveau du plancher, car certains gaz sont plus lourds que l'air et peuvent s'accumuler au niveau du sol.
- QUE FAIRE SI VOUS SENTEZ UNE ODEUR DE GAZ :**
- Ne tentez pas d'allumer l'appareil
 - Ne touchez à aucun interrupteur; n'utilisez pas le téléphone se trouvant dans le bâtiment.
 - Quittez immédiatement le bâtiment.
 - Appelez immédiatement votre fournisseur de gaz depuis un téléphone extérieur. Suivez les instructions du fournisseur.
 - Si vous ne pouvez pas rejoindre le fournisseur, appelez le service incendie.
- C) N'utilisez pas cet appareil s'il a été plongé dans l'eau, même partiellement. Faites inspecter l'appareil par un technicien qualifié et remplacez tout élément du système de contrôle ou de commande qui a été plongé dans l'eau.

CAUTION: Hot while in operation. Do not touch. Severe burns may result. Due to high surface temperatures keep children, clothing and furniture, gasoline and other liquids having flammable vapors away. Keep burner and control compartment clean. See installation and operating instructions accompanying appliance.

ATTENTION : Surfaces chaudes lorsque l'appareil est en marche. Ne pas toucher. Risque de brûlures graves. En raison des températures élevées, les enfants, les vêtements et le mobilier, le carburant et tout autre liquide aux vapeurs inflammables doivent être tenus éloignés de l'appareil. Nettoyer régulièrement le brûleur et le compartiment des commandes. Voir les consignes d'installation et d'utilisation fournies avec l'appareil.

OPERATING INSTRUCTIONS / CONSIGNES DE FONCTIONNEMENT

- 1) **STOP! Read the safety information above on this label.**
 - 2) Ensure the Main switch is in the ON position and/or the wall mounted battery holder (if equipped) is in the <REMOTE> position.
 - 3) Press and release the ON/OFF button on the remote handheld transmitter. An audible beep should be heard from the receiver. If not using the remote, the unit can also be turned on by sliding the battery holder switch to the <ON> position (if equipped).
 - 4) After approximately 4 seconds the spark ignition system will spark for 60 seconds to light the main burner.
 - 5) The unit will turn on.
Note: The first attempt to ignition will last approximately 60 seconds. If there is no flame ignition (rectification) the board will stop sparking for approximately 35 seconds. After this wait time, the board will start a second try for ignition by sparking for approximately 60 seconds. If there is still no positive ignition after the second attempt the board will go into lock out.
The system will need to be reset as follows (after going into lock out mode):
 - a) Wait 5 minutes - turn the system off by pressing the ON/OFF button on the remote.
 - b) After approximately 2 seconds press the ON/OFF button again.
 - c) Unit will repeat step 2.
 - 6) If the appliance will not operate, follow the instructions, "To Turn Off Gas to Appliance" and call your service technician or gas supplier. This appliance is equipped with an on-demand pilot that shuts off after seven days.
- 1) **STOP! Lisez les instructions de sécurité sur la portion supérieure de cette étiquette.**
 - 2) S'assurer que le commutateur principal est en position ON et/ou que le bloc-piles mural (le cas échéant) est en position <REMOTE>.
 - 3) Appuyer sur la touche ON/OFF de la télécommande puis relâcher. Un bip sonore retentira depuis le récepteur. Si vous n'utilisez pas la télécommande, l'appareil peut également être allumé en faisant glisser le commutateur du bloc-piles sur la position <ON> (le cas échéant).
 - 4) Après environ 4 secondes, le système d'allumage produira une étincelle pendant 60 secondes pour allumer le brûleur principal.
 - 5) L'appareil s'allumera.
Remarque : Au premier allumage, le système tente d'allumer les flammes pendant 60 secondes. Si l'essai est infructueux, le système fera une pause de 35 secondes. C'est ce qu'on appelle l'étape de rectification. Ce délai écoulé, le système tente à nouveau d'allumer les flammes en produisant des étincelles pendant 60 secondes. Si les flammes ne s'allument toujours pas, le système se met en mode verrouillage.
Il faut alors le réinitialiser en suivant les étapes ci-dessous (pour le déverrouiller) :
 - a) Attendre 5 minutes et éteindre l'appareil en appuyant sur la touche ON/OFF de la télécommande.
 - b) Attendre 2 secondes et appuyer encore une fois sur la touche ON/OFF.
 - c) L'appareil répètera l'étape 2.
 - 6) Si l'appareil ne fonctionne pas, suivez les instructions "Pour couper le gaz au niveau de l'appareil" et appelez un technicien qualifié ou votre fournisseur de gaz.
Cet appareil est équipé d'une veilleuse sur demande qui s'éteint après sept jours.

TO TURN OFF GAS TO APPLIANCE / POUR COUPER LE GAZ AU NIVEAU DE L'APPAREIL

- 1) Press the ON/OFF button on the remote or slide the wall mount switch to the "OFF" position.
- 2) If service is to be performed-you must disconnect power and shut off gas to the unit.
- 1) Appuyer sur la touche ON/OFF de la télécommande ou faites glisser l'interrupteur mural sur la position "OFF".
- 2) Lors de l'entretien de l'appareil, vous devez débrancher l'alimentation électrique et couper le gaz alimentant l'appareil.

DO NOT REMOVE THIS INSTRUCTION PLATE

NE PAS ENLEVER CETTE ÉTIQUETTE D'INSTRUCTIONS

919-649b

Maintenance Instructions

1. Always turn off the gas valve before cleaning. For relighting, refer to lighting instructions. Keep the burner and control compartment clean by brushing and vacuuming at least once a year. When cleaning the logs, use a soft clean paint brush as the logs are fragile and easily damaged.
2. Clean appliance and door with a damp cloth (never when unit is hot). Never use an abrasive cleaner. The glass should be cleaned with a gas fireplace glass cleaner. The glass should be cleaned when it starts looking cloudy.
3. The heater is finished in a heat resistant paint and should only be refinished with heat resistant paint. Regency® uses StoveBright Paint - Metallic Black #6309.
4. Make a periodic check of burner for proper position and condition. Visually check the flame of the burner periodically, making sure the flames are steady; not lifting or floating. If there is a problem, call a qualified service person.
5. The appliance and venting system must be inspected before use, and at least annually, by a qualified field service person, to ensure that the flow of combustion and ventilation air is not obstructed.

Note: Never operate the appliance without the glass properly secured in place.

6. Do not use this appliance if any part has been under water. Immediately call a qualified service technician to inspect the appliance and to replace any part of the control system and any gas control which has been under water.
7. In the event this appliance has been serviced check that the vent-air system has been properly resealed & reinstalled in accordance with the manufacturer's instructions.
8. Verify operation after servicing.

General Vent Maintenance

Conduct an inspection of the venting system semi-annually. Recommended areas to inspect as follows:

1. Check the Venting System for corrosion in areas that are exposed to the elements. These will appear as rust spots or streaks, and in extreme cases, holes. These components should be replaced immediately.

2. Remove the Cap, and shine a flashlight down the Vent. Remove any bird nests, or other foreign material.
3. Check for evidences of excessive condensation, such as water droplets forming in the inner liner, and subsequently dripping out the joints. Continuous condensation can cause corrosion of caps, pipe, and fittings. It may be caused by having excessive lateral runs, too many elbows, and exterior portions of the system being exposed to cold weather.
4. Inspect joints, to verify that no pipe sections or fittings have been disturbed, and consequently loosened. Also check mechanical supports such as Wall Straps, or plumbers' tape for rigidity.

Log Replacement

The unit should never be used with broken logs. Turn off the gas valve and allow the unit to cool before opening door and carefully remove the logs. (The pilot light generates enough heat to burn someone.) If for any reason a log should need replacement, you must use the proper replacement log. The position of these logs must be as shown in the Diagrams under Log Installation.

Note: Improper positioning of logs may create carbon build-up and will severely alter the unit's performance which is not covered under warranty.

Glass Gasket

If the glass gasket requires replacement use a tadpole glass gasket (Part #846-701).

Door Glass

Your Regency® fireplace is supplied with high temperature 5mm-Ceramic glass. If your glass requires cleaning, we recommend using an approved glass cleaner available at all authorized dealers. Do not use abrasive materials.

CAUTION & WARNINGS:

- * Do not clean when the glass is hot.
- * The use of substitute glass will void all product warranties.
- * Care must be taken to avoid breakage of the glass.
- * Do not strike or abuse the glass.
- * Do not operate this fireplace without the glass front or with a cracked or broken glass front.
- * Wear gloves when removing damaged or broken glass.
- * Replacement of the glass panels should be done by a licensed or qualified service person.

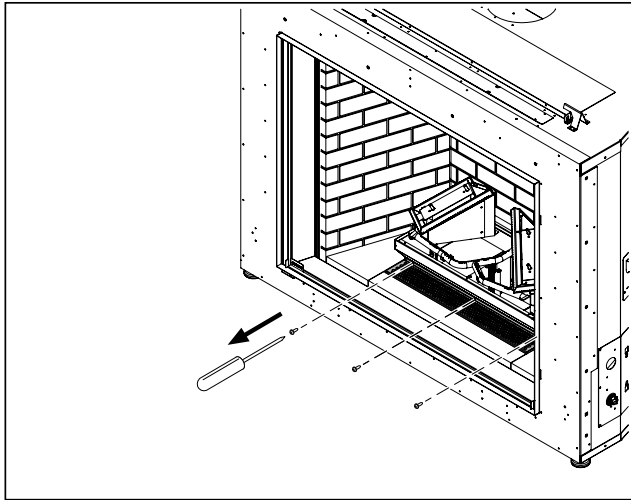
Glass Replacement

In the event that you break your glass by impact, purchase your replacement from an authorized Regency dealer only. Replacement glass (Part #796-515/P) is shipped already installed into the door frame. Reinstall as per Glass Door Installation in the "Glass Door Removal" section.

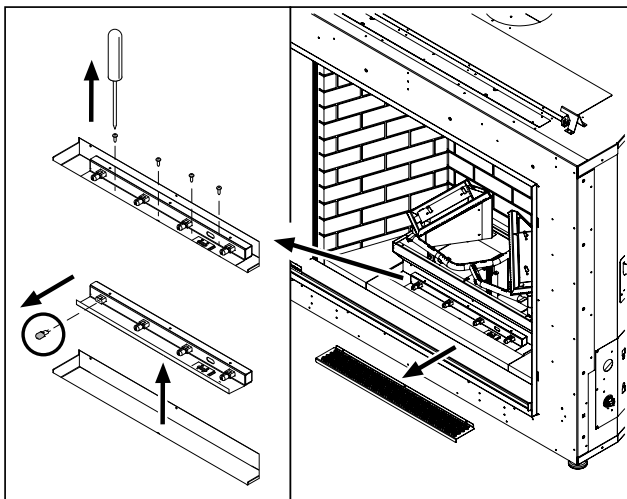
maintenance

Light Bulb Replacement - Bottom Lights

1. Turn off fireplace and wait until it has reached room temperature.
2. Remove screen, glass door, logs and any other media, log grate, and lower panel (if installed).
3. Remove three (3) screws from light assembly cover in the locations shown below.



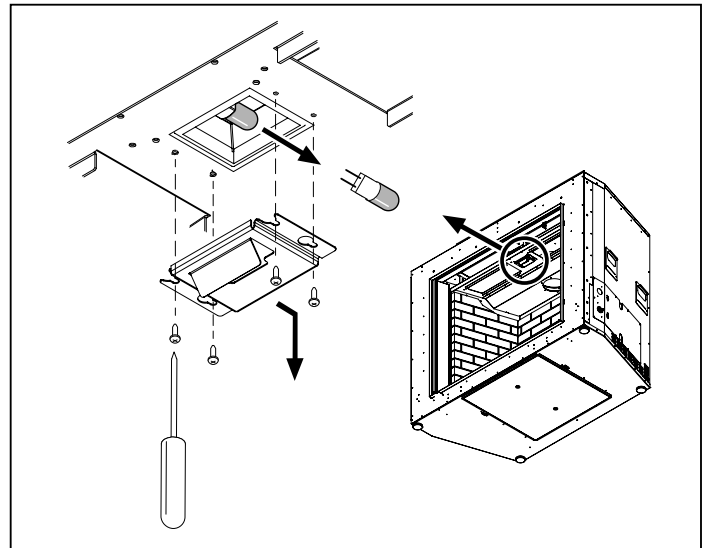
4. Lift up and slide light assembly cover forward to remove.
5. Remove 4 screws from light tray from locations shown below, and lift tray up to access bulbs for replacement.



6. Install or replace bulbs as required.
NOTE: Do not touch bulbs with bare hands, use gloves or a tissue when handling bulbs. Part # of each bottom bulb is 911-297. There are 4 per unit.
7. Reverse steps to reassemble unit.

Light Bulb Replacement -Top Light

1. Turn off fireplace and wait until it has reached room temperature.
2. Remove the Screen Barrier. See Section: Safety screen removal / Installation.
3. Remove the glass door: See Section: Glass door removal / Installation.
4. Remove the four screws with a Phillips-head screwdriver and remove the lens bracket as shown below.

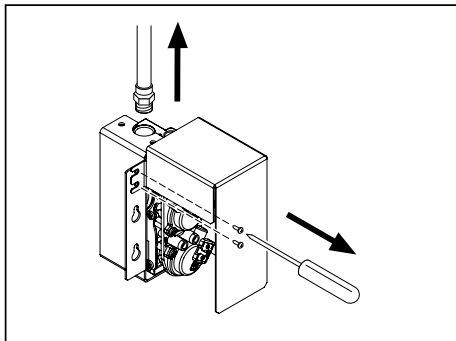
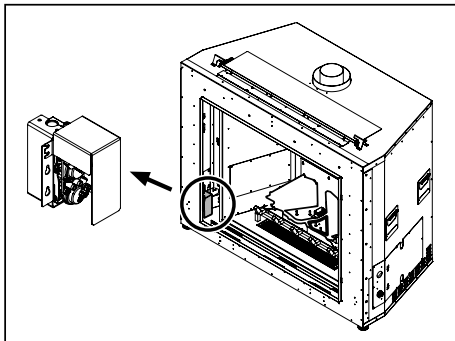


5. Remove the old light bulb by pulling out of the socket.
6. Install the new bulb using soft, clean, gloves. Do NOT touch the bulb with your bare hands. Part # of the top bulb is 911-072.
7. Reverse steps to re-install.

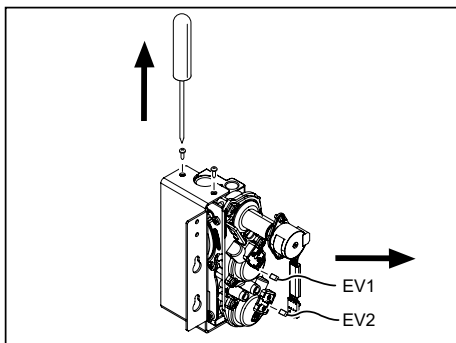
Valve Replacement

Removing Valve

1. **Shut off the gas and electrical supply.**
2. Remove the safety screen.
3. Remove all three cover panels.
4. Remove the gas valve cover by loosening the 2 screws and sliding it towards the back of the unit.
5. Disconnect EV1, EV2, and the ground wire from the gas valve, and the gas valve motor harness from valve motor extension.



6. Loosen the 2 screws holding the gas valve assembly.
7. Lift up and pull out the gas valve assembly to access the fittings.
8. Disconnect the pilot gas line using 9mm wrench.
9. Disconnect the inlet and outlet gas lines using a 7/8" wrench.



10. Disconnect gas valve bracket by undoing 4 screws.
11. Disconnect the inlet and outlet fittings.

Installing Valve

12. Reinstall the inlet and outlet fittings that were previously removed to the new gas valve.
13. Reinstall the inlet and outlet gas lines.
14. Reinstall the pilot gas line.
15. Ensure that all connections are secure and properly tightened.
16. Reinstall the gas valve bracket using 4 screws.
17. Reinstall the gas valve assembly to the gas valve mount bracket using 2 screws.
18. Reconnect the gas valve motor harness, EV1, EV2 and ground wire to the gas valve.
19. Reinstall valve cover using 2 screws.
20. Hook up the gas line and check for gas leaks with a soap and water solution or a gas leak detector (Do not use open flame for leak testing).
21. Fire up the unit temporarily
22. Check the manifold pressure.
23. Reinstall the glass door, 3 cover panels and mesh screen.
24. Fire up the unit again and check for proper flame appearance and glow on logs.

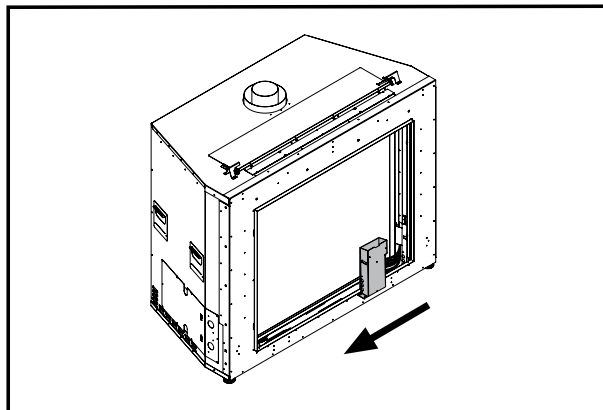
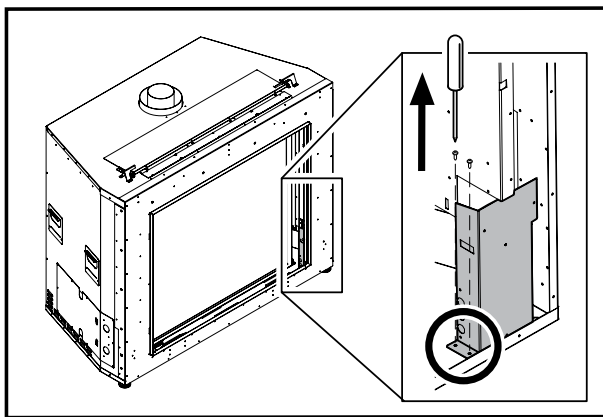
maintenance

IFC Replacement

IMPORTANT : Ensure 3 prong cord is disconnected from receptacle located on lower right hand side of appliance prior to servicing IFC.

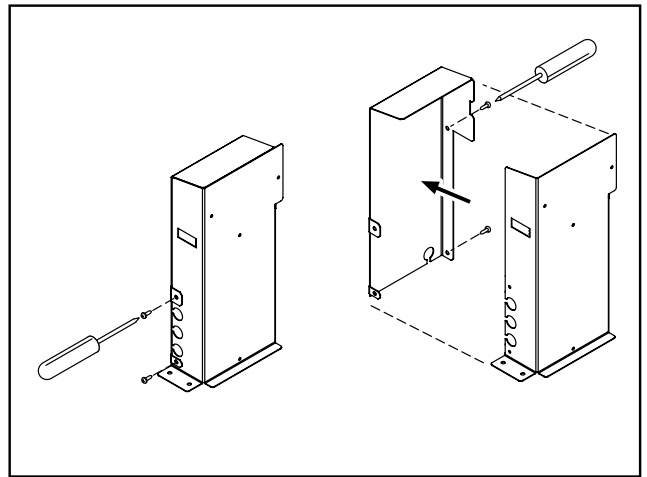
Label all wires prior to disconnection when servicing controls. Wiring errors can cause improper and dangerous operation. Verify proper operation after servicing.

1. Shut off the gas and electrical supply and ensure the unit has fully cooled before servicing.
2. Remove the Safety Screen. See Section: Safety screen removal / Installation.
3. Remove the glass door: See Section: glass door removal / Installation.
4. Remove cover panels. See section "Cover Panel Removal".
5. Remove the two screws holding the IFC box in place.

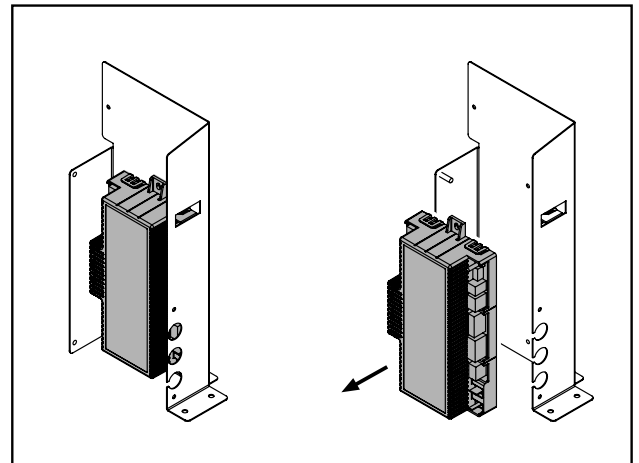


6. Pull the IFC Box to the front of the unit.

7. Remove the 4 screws that secure the cover plate to the IFC box. Then remove the cover plate.



8. Disconnect the connectors and wires at the IFC. Take extra care when disconnecting the ignitor and sensor cables.
9. Remove the 2 screws that secure the IFC to the box.

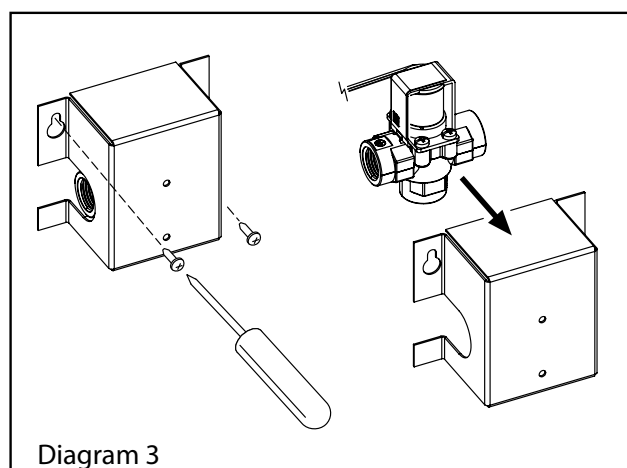
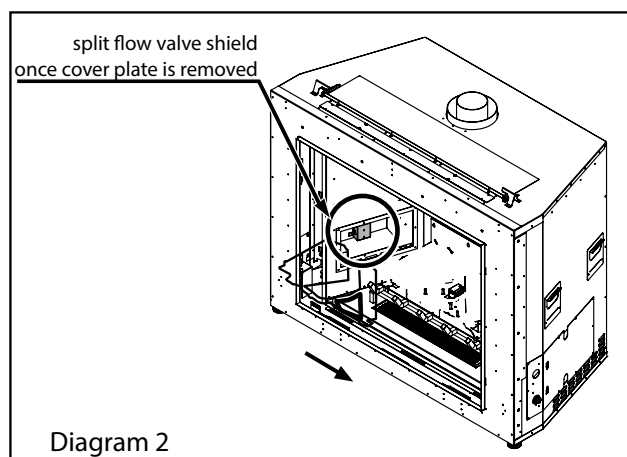
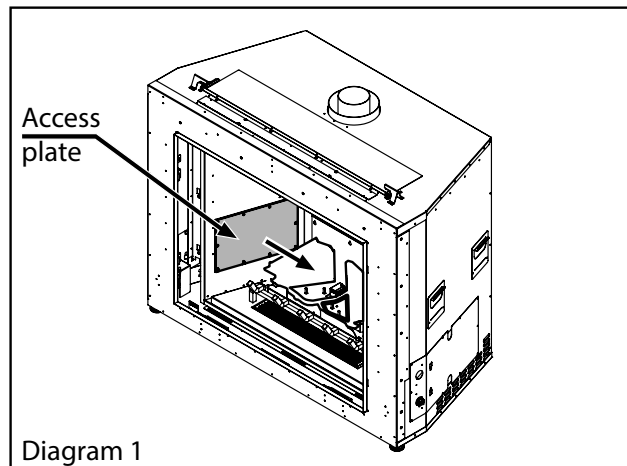


10. Reverse steps to re-install.

Split flow valve replacement

IMPORTANT: Label all wires prior to disconnection when servicing controls. Wiring errors can cause improper and dangerous operation. Verify proper operation after servicing.

1. Shut off the gas and electrical supply.
2. Remove the safety screen and cover panels.
3. Remove the glass door*.
4. Remove the logs, glass media, and any other media* if already installed.
5. Remove side panels by pulling one side first and angling it into position, then pulling it out.
6. While holding the back panel with one hand, remove the other panel by following the previous step.
7. Angle the back panel forward and pull it out.
8. To remove the split flow valve access plate, first loosen the bottom 4 screws and then remove the top 6 screws. After that, carefully pull the access plate forward and upward (see diagram 1).
9. If access to split flow valve access plate is an issue, remove the left burner by removing 3 screws and lifting it directly up and out. Split flow valve replacement:
 10. Remove split flow valve shield by loosening the 2 screws, then lift it up and pull it out (see diagram 2 & 3).
 11. Disconnect the wire connector of the split flow valve from the split flow valve wire extension (see diagram 3).
 12. Pull out the wire harness of the split flow valve from the plastic bushing.
 13. Disconnect the inlet gas line on the left using a 7/8" wrench.
 14. Disconnect the painted gas line on the right by using a 3/4" wrench.
 15. Disconnect the gas lines located at the bottom, both on the left and right, using a 3/4" wrench.
 16. Disconnect all the fittings on the split flow valve. Split flow valve installation:
 17. Replace the old split flow valve with new one by reinstalling all the fittings that were previously removed.
 18. The painted fitting must be installed on the top right.
 19. Reinstall the inlet gas line on the left using a 7/8" wrench.
 20. Reinstall the painted gas line on the top right.
 21. Ensure that the painted gas line matches the painted fitting.
 22. Reinstall the gas lines located at the bottom, both on the left and right, using a 3/4" wrench.
 23. Ensure that all the fittings and gas lines are tightened to prevent gas leaks.
 24. Insert split flow valve wire harness into the plastic bushing.
 25. Connect split flow valve wire connector to split flow valve wire extension.
 26. Place the split flow valve in the location where it will be mounted.
 27. Reinstall split flow shield using 2 screws.
 28. Reinstall the split flow valve access plate with a new gasket using 10 screws.
 29. Reinstall the side and back panels.
 30. Reinstall the left burner using 3 screws if it was removed.
 31. Reverse steps 4 to 1.



maintenance

Gas Maintenance - Recommended Annual Routine

In order for your Regency appliance to continue to provide comfort to your home periodic maintenance must be performed to ensure it is operating at peak efficiency. The items in the list should be checked by a licensed gas service technician during the annual service check. Your unit may require more frequent maintenance checks if you notice any changes in how it operates. Operational changes to look for can include, but are not limited to, extended start up time, increased fan noise, residue/carbon build up, white build up on the glass/firebox, increased operating noise etc. Should any of these or other conditions arise, discontinue use and schedule a service check with your local licensed gas technician. The list below shows items your licensed service technician will need to check and service at least annually.

Clean

- Glass
- Interior bricks / panels
- Burner ports & burner air shutter
- Fan blades
- Log set
- Pilot orifices
- Pilot hood (change as needed)
- Flame sensor (electronic ignition models)
- Flame electrode
- Burner orifice
- Thermocouple (millivolt models)
- Thermopile (millivolt models)

Inspect

- Pilot assembly
- Burner
- Pressure relief gaskets/doors
- Flue connector gasket if present
- Door seal
- Firebox
- Venting
- Batteries (remote handheld, remote receiver, DC sparker, change as needed)
- Burner media (change as needed)
- Air shutter setting
- Wiring

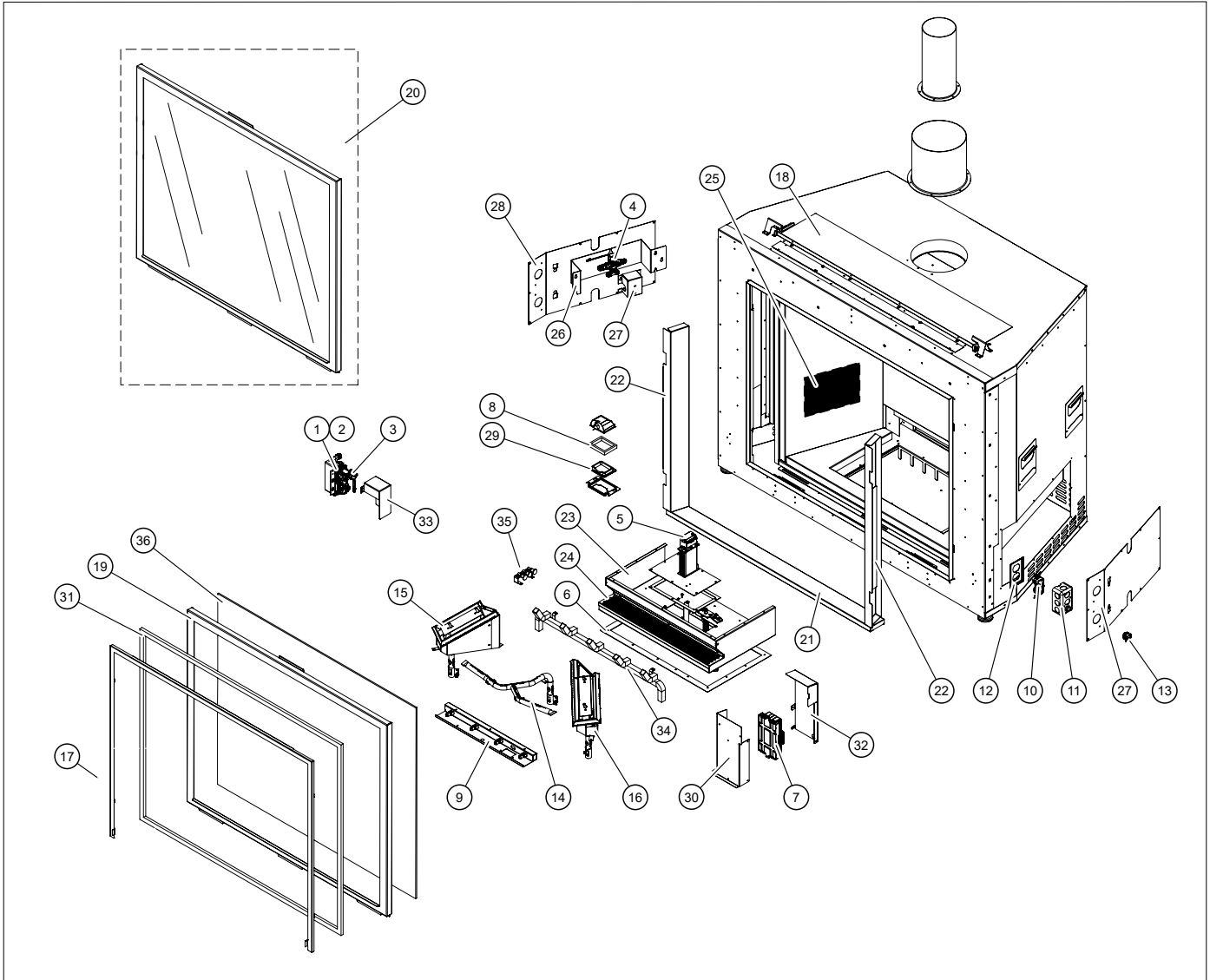
Check

- Voltage on thermocouple/thermopile (millivolt models)
- Ohms reading on flame sense (electronic ignition models)
- Inlet/outlet fuel pressures as per rating plate
- Voltage/ohms readings on gas valve
- Ohms reading to on/off switch circuit (Millivolt models)

Gas Leak Tests

- Check main gas line connection to valve
- Check shut off valve connections
- Check connection at gas valve outlet
- Check connection at main burner orifice
- Check pilot fuel line at valve and at pilot assembly

Main Assembly



parts list

Main Assembly

ITEM	PART #	DESCRIPTION
1	796-574/P	Valve Assembly - NG
1	796-576/P	Valve Assembly - LP
2	911-084	Valve NG 885 SIT IPI 0.885.001
2	911-085	Valve LP 885 SIT IPI 0.885.002
N/S	911-280	Pilot Assy IPI SIT NG 2 Flame (Reg) (36")
N/S	911-281	Pilot Assy IPI SIT LP 2 Flame
3	911-010	Stepper Motor - NG /885/886 SIT 0.907.013
3	911-011	Stepper Motor - LP /885/886 SIT 0.907.012
N/S	911-039	Pilot Hood 2 Flame Sit SureFire 0.975.005
N/S	911-110	Flame Electrode Spark (long) 0.915.119
N/S	911-111	Flame Electrode Sensing (long) 0.915.910
N/S	910-036	Orifice Pilot NG #51 977.165
N/S	910-037	Orifice SIT Pilot LP #30 977.167
N/S	910-432	Pilot Tube Aluminum 1/8 x 24 w/Fittings
N/S	911-137	Clip Pilot Hood Holding 0.923.034
4	911-421	Valve Split Flow SIT 0.540.006
N/S	W840470	Gasket Pilot Assembly
N/S	656-039	Orifice Gasket Mount
N/S	905-108	Bracket Dormont STR Orifice Mnt
N/S	905-109	Bracket Dormont STR Orifice Mnt
N/S	905-110	Fitting 3/8" MPT x 1/2" Flare Right Angle
N/S	905-111	Tee 3/8 MPT Centre X 3/8 Flare Sides
N/S	904-658	Inlet Flex Line Gas SS Steel 24 inch
N/S	905-063	Burner Orifice #46 NG (PO512) (L)
N/S	905-092	Burner Orifice #45 NG (PO512) (M&R)
N/S	905-094	Burner Orifice #56 LP (PO512) (L&M)
N/S	904-977	Burner Orifice #55 LP (PO512) (R)
5	262-086	Pilot Shield/Cover
6	796-227	Valve Assembly Gasket
7	911-311	IFC Board SIT Proflm II Wi-Fi 7day PV
N/S	911-341	Remote Transmitter White Wall Mount
N/S	911-333	Power Harness With Aux Connector
N/S	911-412	Wire Extension Split-Flow valve 48"
N/S	911-413	Wire Extension Modulator PF2 36"
N/S	911-414	Wire Harness Valve PF2 66"
N/S	911-415	Oven Lamp G9 120V 25W (Wire 71" Long)
8	656-085	Oven Lamp Top Gasket Light Cover
8	911-416	Light Assy Bttm
N/S	911-423	Wire Harness Fan & Light
N/S	911-181	Wire Harness Battery Box Proflame II
N/S	911-193	Connector W/Jumper IFC
N/S	910-369	Receptacle Box Low Volt. SC100A
10	910-428	Receptacle Duplex White
11	910-429	Receptacle Box Duplex Metal
12	910-430	Receptacle Cover Duplex Metal
13	904-687	Connector Clamp 3/8 CI-804
N/S	911-337/P	Holder Battery W/Switch 0.584.103

ITEM	PART #	DESCRIPTION
N/S	911-335	Cover Plate Switch White
N/S	911-343	Cover Plate Switch Black
N/S	796-525/P	Burner Assembly Center NG/LP
N/S	796-530/P	Burner Assembly Left NG/LP
N/S	796-531/P	Burner Assembly Right NG/LP
N/S	761-047F	Plate Light Gasket Clamping
N/S	761-122	Gasket Light Wire
N/S	796-005	Top Baffle
N/S	796-210	Restrictor Plate - Right
N/S	796-291	Restrictor Plate - Left
17	796-532/P	Mesh Glass Guard Assembly
N/S	796-533/P	Top Pressure Relief Assembly Complete (Includes Part # 796-033F, 796-037)
N/S	796-033F	Top Relief Door (Each)
N/S	796-037	Top Relief Door Gasket (Each)
N/S	796-195	Top Pressure Relief Bracket (Each)
N/S	796-035	Bracket Door Bottom G1200
19	796-036	Door Frame G1200
20	796-515/P	Door Frame Complete (w/Glass & Gasket)
21	796-044	Cover Panel Bottom G1200
22	796-045	Right/Left Side Cover Panel (Each)
N/S	796-047	Bracket Magnet G1200
N/S	796-048	Bracket Bottom Magnet G1200
23	796-534/P	Burner Tray G1200
24	796-084	Bottom Light Tray
25	796-088F	Left Fan Access Panel
N/S	796-180	Gasket Fan Access
N/S	796-516/P	Rear Pressure Relief Assembly (Includes Part #796-091, 796-092, 796-179, 796-182, 904-841, 905-016, 948-027, 904-018, 640-034)
N/S	796-091	Pilot Shield/Cover
N/S	796-092	Rear Relief Door G1200
N/S	796-179	Gasket Inner Relief G1200
N/S	796-182	Gasket Rear Relief G1200
N/S	904-018	Washer 1/4 Flat x 5/8 OD Grade 8
N/S	904-841	Bolt 1/4-20 x 2.5 Gr5 Zinc Pd
N/S	905-016	Nut 1/4-20 Acorn Cap Stainless Steel
N/S	948-027	Spring Compression 2.5 inch Long
N/S	640-034	Round Gasket - Spring
26	796-108	Gas Component Mounting Bracket
27	796-110	Bracket Split Flow
28	796-111	Gas Access Panel
29	796-114	Light Lens Cap Top
N/S	796-117F	Aeration Gasket Plate
N/S	796-126F	Rear Pressure Relief Cover Plate
30	796-131	IFC Bracket
N/S	796-137	Door Clamp Left

ITEM	PART #	DESCRIPTION
N/S	796-138	Door Clamp Right
N/S	796-139	Top Door Bracket
N/S	796-140	Door Clamp Top G1200
N/S	796-142	Nailing Flange L/H G1200
N/S	796-143	Nailing Flange R/H G1200
N/S	796-144	Nailing Flange Top G1200
N/S	796-170	Side Screen Blocker G1200
N/S	796-177	Liner Panel Holder L/H
N/S	796-178	Liner Panel Holder R/H
N/S	796-181	Gasket Airbox G1200
N/S	796-185	Split Flow Heat Shield
N/S	796-216	Bracket Side Screen Blocker G1200P
32	796-225	IFC Cover G1200
N/S	796-226	Burner Cover Plate G1200
N/S	796-230	Gasket Aeration High Temp Silicone
N/S	796-241	Air Cap Bracket G1200
N/S	796-258	Light Blocker G1200
N/S	796-287	Bottom Outerbox Insulation Plate G1200
N/S	796-282	Burner Spacer Left/Right LP Only (Each)
N/S	796-295F	Insulation Cover G1200
N/S	796-296	Gasket Bottom G1200
N/S	796-297-LAB	Logo Screen Etch & Black Anodized G1200P
N/S	796-298	Deflector Fan G1200
N/S	796-299F	Standoff 1 inch G1200
N/S	796-314F	Rear Fan Access G1200
33	796-315	Valve Cover G1200P
N/S	796-507	Manual Package Complete
34	796-510	Grate Assembly G1200
N/S	904-970	Cup Magnet 1/2 inch x 5/8 inch OD (Rivet)
N/S	904-790	Magnet Round 1/2 inch x 1/8 inch
N/S	904-836	Nut Retainer 1/4-20 J Type Zinc Plt
N/S	904-839	Screw 1/4-20 x 1 inch Pan Hd Phil Blk
35	905-112	Aeration Black Control Knob
N/S	910-177	Bushing Split Plastic 0.625 inch Heyco
N/S	910-178	Grommet Strain Relief
N/S	910-692	Wire Ground 24 inch (Green)
36	940-552/P	Replacement Glass (Includes Glass Gasket)
N/S	846-701	Gasket 1 1/2" Alum F.Core Tadpole Tape)
N/S	948-148	Levelling Leg 3/8-16x3 in.
N/S	920-750	Instruction Manual
N/S	796-222	Aeration Cable 46in G1200
N/S	796-243	Aeration Cable Mount G1200
N/S	796-917	Fan Assembly Complete
N/S	796-980	Fan Service Gasket Kit
N/S	911-314	Power Vent / Non Power Vent Switch
N/S	911-344	Wire Harness PV Assembly

Optional Accessories

	Part	Description
N/S	796-901	Brick Panel Standard Brown
N/S	796-902	Brick Panel Herringbone Brown
N/S	796-905	Brick Panel Standard Volcanic Black
N/S	796-906	Inner Panel Black
N/S	796-907	Inner Panel Black Enamel
N/S	796-917	Fan Kit (Non Cool Wall Only)
N/S	796-912	Trim Finishing Black 3-Sided
N/S	796-913	Trim Finishing Black 4-Sided
N/S	796-934	Log Set Grandview Oak Packaged
N/S	796-930	Log Set Driftwood Packaged
N/S	796-931	Log Set Birch Packaged
N/S	796-952	Media Kit - Embers & Crushed Glass
N/S	796-953	Media Kit - Embers, Crushed Glass & Stones
N/S	796-991	Chase Vent White
N/S	796-969	Conversion - LP
N/S	946-799	WIFI Kit

Indoor Gas Product Warranty

Limited Lifetime Warranty

FPI Fireplace Products International Ltd. (for Canadian customers) and Fireplace Products US, Inc. (for US customers) (collectively referred to herein as “FPI”) extends this Limited Lifetime Warranty to the original purchaser of this Appliance provided the product remains in the original place of installation. The items covered by this Limited Lifetime Warranty and the period of such coverage are set forth in the table below.

An Appliance in this policy is defined as an Indoor Gas Fireplace, Indoor Gas Insert, Indoor Gas Freestanding Stove.

This Appliance has only been certified and listed for use indoors.

This Limited Lifetime Warranty starts on the day the Appliance was purchased.

The Limited Lifetime Warranty is not transferable, amendable or negotiable under any circumstances.

Indoor Gas Products Warranty Coverage Parts and Labor	Limited Lifetime	5 years	2 years	1 year	Subsidized Labor Coverage* (Years)
Firebox and Heat Exchanger	✓				3
Steel Burner Tube	✓				3
Glass Thermal breakage only	✓				3
All painted Surrounds/Inlays Finishes		✓			3
Brick Panels/Log sets/Ceramic Burners		✓			3
All Castings		✓			3
Valve assembly and all gas control components (Pilot assembly, flame sensors, Spark Electrode, Pilot Tubing, Orifices, Thermocouple, Thermopile)			✓		2
All Other Electrical components (Ignition Control Boards, Wiring, Switches, Blowers, Blower Control Module, Battery Pack, Remote Control Systems)			✓		2
Enamel Panels			✓		1
Venting/Venting Components			✓		1
All Stainless steel surrounds All black chrome Brushed nickel/Antique copper Faceplates/surrounds All Inner/Outer Black Glass panels				✓	1
All Firebox Media (Crystals, Fire beads, Volcanic, Ceramic, Spa Stones, River Pebbles)				✓	1
All hardware				✓	1
WIFI Dongle				✓	1
Mesh/Glass Safety Barriers				✓	1
Accent Light Bulbs				✓	1
Glass (Crazing)				✓	1

Note: Warranty coverage noted above may not be applicable as components/options vary based on appliance purchased.

Conditions:

Warranty protects against defect in manufacture or FPI factory-assembled components only, unless herein specified otherwise.

***This warranty does not cover dealer travel costs, mileage, fuel, tolls for diagnostic or service work. All labor rates paid to authorized dealers are subsidized, pre-determined rates. Dealers may charge you for travel and additional time beyond their subsidy.**

Any part(s) found to be defective during the warranty period as outlined above will be repaired or replaced at FPI's option through an accredited distributor, dealer or pre-approved and assigned agent; provided that the defective part is returned to the distributor, dealer or agent for inspection if requested by FPI. Alternatively, FPI may, at its discretion, fully discharge all of its obligations under warranty by refunding the verified purchase price of the product to the original purchaser. The purchase price must be confirmed by the original Bill of Sale. **The authorized selling dealer, or an alternative authorized FPI dealer if pre-approved by FPI, is responsible for all in-field diagnosis and service work related to all warranty claims. FPI is not responsible for results or costs of workmanship of unauthorized FPI dealers or agents in the negligence of their service work.**

At all times, FPI reserves the right to inspect reported in the field/on location complaints of products claimed to be defective before processing or authorizing any claim. Failure to allow this upon request will void the warranty.

All warranty claims must be submitted by the dealer servicing the claim, including a copy of the Bill of Sale (proof of purchase by you). All claims must be complete and provide full details as requested by FPI to receive consideration for evaluation. **Incomplete claims may be rejected.**

Replacement Appliances to the original purchaser are limited to one per warranty term. Appliances must be installed according to all manufacturers' instructions as per the manual. All Local and National required codes must be met.

The installer is responsible for ensuring the Appliance is operating as designed at the time of installation.

The original purchaser is responsible for the annual maintenance of the Appliance, as outlined in the owner's manual. As outlined below, the warranty may be voided due to problems caused by a lack of maintenance.

Purchased parts: Repair/replacement parts purchased by the consumer from FPI after the original coverage has expired on the Appliance will carry a **90-day** warranty from the purchase date, valid with a receipt only. Any item shown to be defective will be repaired or replaced at our discretion. No labor coverage is included with these parts.

Special Finishes - One year on brushed nickel, black chrome and antique copper faceplates/surrounds. You can expect some changes in color as the product "ages" with constant heating and cooling. FPI warrants the product for any manufacturing defects on the original product. However, the manufacturer's warranty does not cover changing colors and marks, i.e. fingerprints, etc. applied after the purchase of the product. Damage from the use of abrasive cleaners is not covered by warranty.

If freight damage has been found either externally or internally, the dealer must be informed within 3 days. All claims as a result of damage must be submitted by the dealer servicing the claim, including a copy of the Bill of Sale (proof of purchase). All claims must be complete and provide full details as requested by FPI to receive consideration for evaluation. **Incomplete claims may be rejected.**

As this is a Limited Lifetime Warranty, if the Appliance needs to be replaced, the Appliance that was purchased at the time of sale might not be replaced with exactly the same model Appliance. In that case, FPI will replace your Appliance with one that is similar at the time of replacement under the terms of this Limited Lifetime Warranty, but **ONLY** in the event that an item covered by the Limited Lifetime Warranty is found to be defective. Please refer to the table on first page of this warranty for items covered by the Limited Lifetime Warranty. Product changes might be the result of the original Appliance being discontinued, changes in regulatory requirements, product advancements, etc., which are beyond the control of FPI. **This Limited Lifetime Warranty does not cover any installation costs, or costs associated with changes of required clearances for the replacement Appliance, hearth pads, mantles, facing and/or facing materials such as framing, completed walls made of drywall, wood, non-combustible board, tile, brick, stone, marble etc., venting/chimney systems, or components of the chimney system.**

If a suitable replacement is not available, FPI will refund **50%** of the purchase price of the Appliance and any applicable FPI accessories (faceplates, brick panels, media, etc.) purchased at the time of sale. **In no event will FPI refund any portion of the purchase price of, or reimburse costs associated with, any other items, including without limitation, installation of a new Appliance, changes of required clearances for a new Appliance, hearth pads, mantles, facing and/or facing materials such as framing, completed walls made of drywall, wood, non-combustible board, tile, brick, stone, marble etc., venting/chimney systems, or components of the chimney system. A copy of the receipt or bill of sale will be necessary to validate the purchase price.**

warranty

Exclusions:

This Limited Lifetime Warranty does not extend to paint, rust or corrosion of any kind due to a lack of maintenance or improper venting, combustion air provision, corrosive chemicals (i.e. chlorine, salt, air, etc.), door or glass gasketing, batteries, color fading, carbon/sooting of the log sets due to use and does not cover lava rock, platinum/glowing embers, vermiculite.

Malfunction, damage or performance-based issues as a result of environmental conditions, location, chemical damages, downdrafts, installation error, an installation by an unqualified installer, incorrect chimney components (including but not limited to cap size or type), operator error, abuse, misuse, use of improper fuels, lack of regular maintenance and upkeep, acts of God, weather-related problems from hurricanes, tornados, earthquakes, floods, lightning strikes/bolts or acts of terrorism or war, which result in a malfunction of the Appliance are not covered under the terms of this Limited Lifetime Warranty.

FPI has no obligation to enhance or modify any Appliance once manufactured (i.e. as products evolve, field modifications or upgrades will not be performed on existing Appliances).

Any Appliance showing signs of neglect or misuse will not be covered under the terms of this warranty policy and may void this warranty, including Appliances with rusted or corroded fireboxes that have not been reported as rusted or corroded within **three (3)** months of installation/purchase.

Appliances which show evidence of being operated while damaged, or with problems known to the purchaser and causing further damages will void this warranty.

Appliances where the serial no. has been altered, deleted, removed or made illegible will void this warranty.

Minor movement, expansion and contraction of the steel is normal and is not covered under the terms of this warranty.

Freight damages for products or parts are not covered under the terms of the warranty.

Products made or provided by other manufacturers and used in conjunction with the FPI Appliance without prior authorization from FPI may void this warranty.

Limitations of Liability:

The original purchaser's exclusive remedy under this warranty, and FPI's sole obligation under this Limited Lifetime Warranty, express or implied, in contract or in tort, shall be limited to replacement, repair, or refund, as outlined above. IN NO EVENT WILL FPI BE LIABLE UNDER THIS WARRANTY FOR ANY INCIDENTAL OR CONSEQUENTIAL COMMERCIAL DAMAGES OR DAMAGES TO PROPERTY. TO THE EXTENT PERMITTED BY APPLICABLE LAW, FPI MAKES NO EXPRESS WARRANTIES OTHER THAN THE WARRANTY SPECIFIED HEREIN. THE DURATION OF ANY IMPLIED WARRANTY IS LIMITED TO DURATION OF THE EXPRESSED WARRANTY SPECIFIED ABOVE. IF IMPLIED WARRANTIES CANNOT BE DISCLAIMED, THEN SUCH WARRANTIES ARE LIMITED IN DURATION TO THE DURATION OF THIS WARRANTY.

Some US states do not allow limitations on how long an implied warranty lasts, or allow exclusion or limitation of incidental or consequential damages, so the above limitations or exclusions may not apply to you.

Customers located outside the US should consult their local, provincial or national legal codes for additional terms, which may apply to this warranty.

How to Obtain Warranty Service:

Customers should contact the authorized selling dealer to obtain warranty service. In the event the authorized selling dealer is unable to provide warranty service, please contact FPI by mail at the address listed below. Please include a brief description of the problem and your address, email and telephone contact information. A representative will contact you to make arrangements for an inspection and/or warranty service.

Canadian Warrantor:**FPI Fireplace Products International Ltd.**

6988 Venture St.
Delta, British Columbia
Canada, V4G 1H4

U.S. Warrantor:**Fireplace Products US, Inc.**

PO Box 2189 PMB 125
Blaine, WA
United States, 98231

Or contact the Regency Customer Care Centre at 1-800-442-7432 (phone) / 604-946-4349 (fax)
/customerservice@regency-fire.com (e-mail)

Product Registration and Customer Support:

Thank you for choosing a Regency Fireplace. Regency strives to be a world leader in the design, manufacture, and marketing of hearth products. To provide the best support for your product, we request that you complete a product registration form at <http://www.regency-fire.com/Customer-Care/Warranty-Registration.aspx> within **ninety (90)** days of purchase.

Warranty Registration Card



Product Registration and Customer Support:

Thank you for choosing a Regency Fireplace. Regency strives to be a world leader in the design, manufacture, and marketing of hearth products. To provide the best support for your product, we request that you complete a product registration form found on our Web Site under Customer Care within ninety (90) days of purchase.

For purchases made in **CANADA or the UNITED STATES:**

<http://www.regency-fire.com/Customer-Care/Warranty-Registration.aspx>

For purchases made in **AUSTRALIA:**

<http://www.regency-fire.com.au/Customer-Care/Warranty-Registration.aspx>

You may also complete the warranty registration form below to register your Regency Fireplace Product and mail and/or fax it back to us, and we will register the warranty for you. It is important you provide us with all the information below in order for us to serve you better.

Warranty Registration Form (or Register online immediately at the above Web Site):

Warranty Details	
Serial Number (required):	
Purchase Date (required) (mm/dd/yyyy):	
Product Details	
Product Model (required):	
Dealer Details	
Dealer Name (required):	
Dealer Address:	
Dealer Phone #:	
Installer:	
Date Installed (mm/dd/yyyy):	
Your Contact Details (required)	
Name:	
Address:	
Phone:	
Email:	

For purchases made in **CANADA:**

FPI Fireplace Products International Ltd.
6988 Venture St.
Delta, British Columbia
Canada, V4G 1H4

Phone: 604-946-5155
Fax: 1-866-393-2806

For purchases made in the **UNITED STATES:**

Fireplace Products US, Inc.
PO Box 2189 PMB 125
Blaine, WA
United States, 98231

Phone: 604-946-5155
Fax: 1-866-393-2806

For purchases made in **AUSTRALIA:**

Fireplace Products Australia Pty Ltd
99 Colemans Road
Dandenong South, Vic.
Australia, 3175

Phone: +61 3 9799 7277
Fax: +61 3 9799 7822

For fireplace care and tips and answers to most common questions please visit our Customer Care section on our Web Site. Please feel free to contact your selling dealer if you have any questions about your Regency product.

recycling

PRODUCT LIFE CYCLE:

By recycling your used appliances, you divert waste from your local landfills and help the environment. You also reduce the need for raw materials to manufacture new products. Contact your local municipality for appliance recycling services, local recycling programs, or appliance removal services to ensure your Regency appliance components, and packaging are properly recycled.

Installer: Please complete the following information

Dealer Name & Address: _____

Installer: _____

Phone #: _____

Date Installed: _____

Serial #: _____