

# LX

MULTI-SIDED GAS SERIES



RADIANT WARMTH  
FROM EVERY ANGLE.

The Valor logo features a stylized red flame icon to the left of the word "Valor" in a bold, red, sans-serif font.

# THE SCIENCE OF WARMTH™

We pioneered and continue to improve our radiant heat technology that generates a constant, comfortable warmth in your home.

## RADIANT HEAT

We put radiant heat into every fire, the most comfortable warmth we know. You can feel it.

## REALISTIC LOGS

High definition, low mass fiber ceramic logs heat up and glow quickly, radiating warmth.

## SAFETY

Our fires are put through rigorous safety testing in our in-house CSA approved lab.

## HEATSHIFT™

Select the finish you want, knowing that your artwork, TV and construction materials stay cooler and protected.

**ON FRONT:**  
**LX2 CORNER** 2200RKN  
(shown without safety screen)  
**BIRCH** 2100BLK  
**REFLECTIVE LINER** 2200RGL + 2200RGP

Proudly made  
in North America

### CONVECTIVE HEAT

Convective heat is the secondary heat our fireplaces produce—without a fan.

### ENHANCED FLAME

Our new V-Class burners create realistic, soothing flames and ambient glowing embers that radiate heat better than ever.

### ADJUSTABLE HEAT

New Valor 10 remote control adjusts flame for constant, even warmth without having to cycle the fire on and off.

### ALUMINIZED STEEL

High temperature aluminized steel firebox delivers efficient warmth, preventing rust and wear.

### EFFICIENCY

Radiant heat and zone heating technology are up to 30% more efficient than central forced air systems.

### CERAMIC GLASS

Durable and robust ceramic glass improves radiant performance.

Please Note: Printed images may vary from actual product. All product information is accurate at time of printing and is subject to change. For more visit [valorfireplaces.com](http://valorfireplaces.com)



LX2 3-SIDED 2200K  
MURANO GLASS 2200DGM  
REFLECTIVE GLASS LINER 2200RGL  
HEATSHIFT™ WITH SIDE GRILLES LDK3 (not shown)  
OVERHEAD LIGHTING STANDARD (not shown)

## LX SERIES

Select from three multi-sided styles of this designer series. The two and three-sided fireplaces are efficient heaters that produce a luxurious amount of radiant heat, paired with the convective heat you'll enjoy with the HeatShift system every LX employs.

### 1 MODELS

Consider the size and shape of your spaces when choosing your fireplace. The following measurements give you an idea of the viewable area when installed.

To find out more, click the QR codes above or visit [valorfireplaces.com](http://valorfireplaces.com)



### LX2 3-SIDED

Creates a strong central point in a living or great room. Everyone will enjoy the 180° viewing area.

— L 45½"  
■ D 14"  
H 17"





### LX2 CORNER L/R

Great for asymmetrical living spaces: wraps around corners and transitions between two rooms.

L 45½"  
 D 14"  
 H 17"



### LX1 3-SIDED PIER

Fits smaller rooms and defines open spaces, making two spaces out of one.

L 31½"  
 D 18½"  
 H 17"





LX2 3-SIDED 2200KN  
BIRCH 1700BLK  
FLUTED BLACK LINER 2200FBL  
HEATSHIFT™ 38" FINISHING FRAME LDK5 (not shown)

## 2 FIRE BEDS

Select a fire bed that suits your decor and personal style. Which firebed will you enjoy most? Consider how the logs and other fire beds appear when the fire is on and when it's off—for example, in the summer.

Design your own fireplace at [design.valorfireplaces.com](http://design.valorfireplaces.com)



DRIFTWOOD



BIRCH LOGS





MURANO GLASS



SPLITWOOD **LX2 ONLY**



ROCK AND SHALE





LX2 CORNER RIGHT 2200RK  
ROCK AND SHALE 1714RSS  
REFLECTIVE GLASS LINER 2200RGL + 2200RGP  
HEATSHIFT™ (not shown)

### 3 LINERS

Selecting a liner is an important choice, particularly in the LX2 fireplaces where the liner features prominently.

Visit a Valor dealer to see a sample in person or design your own at [design.valorfireplaces.com](http://design.valorfireplaces.com)



#### FLUTED BLACK

Provides a graphic contrast, defining the lighter fuel bed and fire.

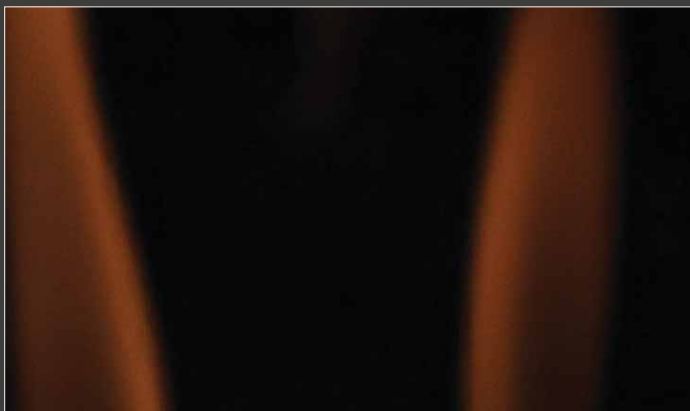






### REFLECTIVE BLACK GLASS

High definition glass contrasts and enhances the appearance of the firebed and flames.



## ZONE HEATING

Looking to heat other areas in your home? HeatShift's optional Remote Blower helps manage your heat effectively by distributing warmth to other areas of your home—such as bedrooms, hallways or utility rooms.



LX1 PIER 2100PK  
DRIFTWOOD 2100DWK  
BLACK FLUTED LINER 2200FBP  
HEATSHIFT CANOPY (PONY WALL) 2100HSC

## **4** HEATSHIFT™

### KEEPS WALL COOLER

Pioneered by Valor, our unique HeatShift System naturally circulates up to 125 cubic feet of convective heat per minute through hidden ducts and back into the room—avoiding surface areas above the fireplace.

### DESIGN FLEXIBILITY

Run standard finishing materials right up to the fireplace surround, including drywall, wood, tile and stone. Install mantels lower than usual at a one-to-one ratio of depth to height from the fireplace surround.

### IMPROVES PERFORMANCE

Harnessing convective warmth, up to 60% of fireplace heat rises and flows through HeatShift and back into the room. The remaining radiant heat emanates from the fireplace, keeping you warm.

### NO ELECTRICITY REQUIRED

Heatshift circulates heat naturally using gravity and Valor product ingenuity—no need for a fan or electricity. No power—no problem.

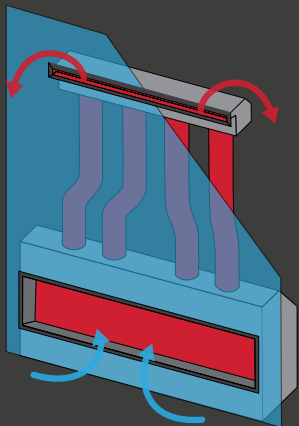
### CONSTRUCTION MADE EASY

Unlike many competing products, Valor fully ducts HeatShift for clean, safe air quality. HeatShift is built and designed in North America for North American homes, meeting building code requirements.

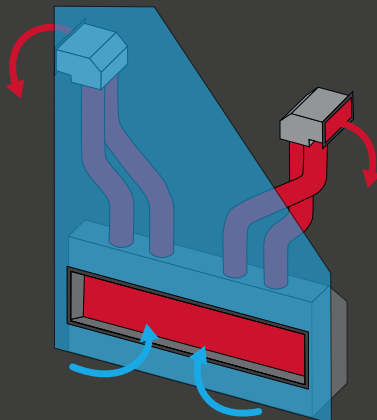


The LX1's HeatShift canopy (shown here) allows you to build a pony wall that separates two rooms without blocking sight lines—and keeps surface areas cooler. To find out more, visit [valorfireplaces.com/heatshift](http://valorfireplaces.com/heatshift)

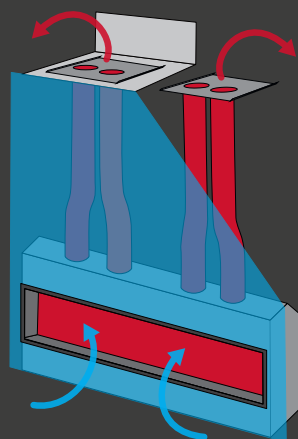
**FRONT,**  
30", 38" or 48"



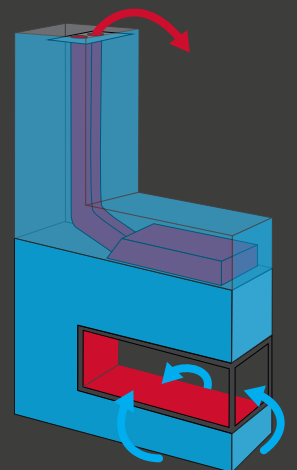
**SIDE**  
**GRILLES**



**TOP VALANCE,**  
Hidden



**PONY WALL,**  
LX1 only



## SMARTPHONE COMPATIBLE

Want to control your fireplace with your smart device?

Our Valor 10 App. is available this year for download and is compatible with the Valor 10 Remote control.

Accurately knows the current ambient temperature of your room.

Child Proof your remote for safety and ease.

Set the temperature for specific times of the day.

Set the timer to turn the fireplace off up to 9 hours ahead.

Turn your fireplace lights on and off.

Program your fireplace to turn on and off when you want at the temperature you want.



## 5 REMOTE CONTROL

### VALOR 10 REMOTE CONTROL

Standard throughout the LX Series, Valor's interactive remote control has up-to-the-moment information on the state of your fireplace, such as room temperature, and other customizable settings.

### VALOR 10 APP

The remote pairs with the Valor 10 App so you can control your LX fireplace with your smartphone.



## LX2 STEEL FRAMING KIT



## LX1 STEEL FRAMING KIT



# 6 FRAMING

## STEEL FRAMING KIT

When you decide to install your custom LX model, consider our optional steel framing kit. Easy to set up, the kits take the guesswork out of framing your new fireplace—builders, architects and designers appreciate them too.



LX2 CORNER LEFT 2200LK (shown without safety screen)  
 DRIFTWOOD 1705DWK  
 REFLECTIVE GLASS LINER 2200RGL + 2200RGP  
 HEATSHIFT™ 38" FINISHING FRAME LDK5

# EFFICIENCY

## RATINGS

At Valor we use recognized Canadian and US government testing methods to determine our energy efficiencies, and ensure our products perform in your home as rated.

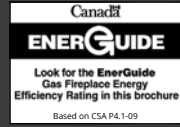
## EFFICIENCY

Radiant heat and zone heating technology are up to 30% more efficient than central forced air systems.

Model	Max. Input	Min. Input	Max. Output*	EnerGuide®
2200NG	36,000	19,000	26,028	67.4%
2200LP	36,000	21,000	26,028	67.4%
2100NG/LP	25,000	14,000	17,573	66.6%

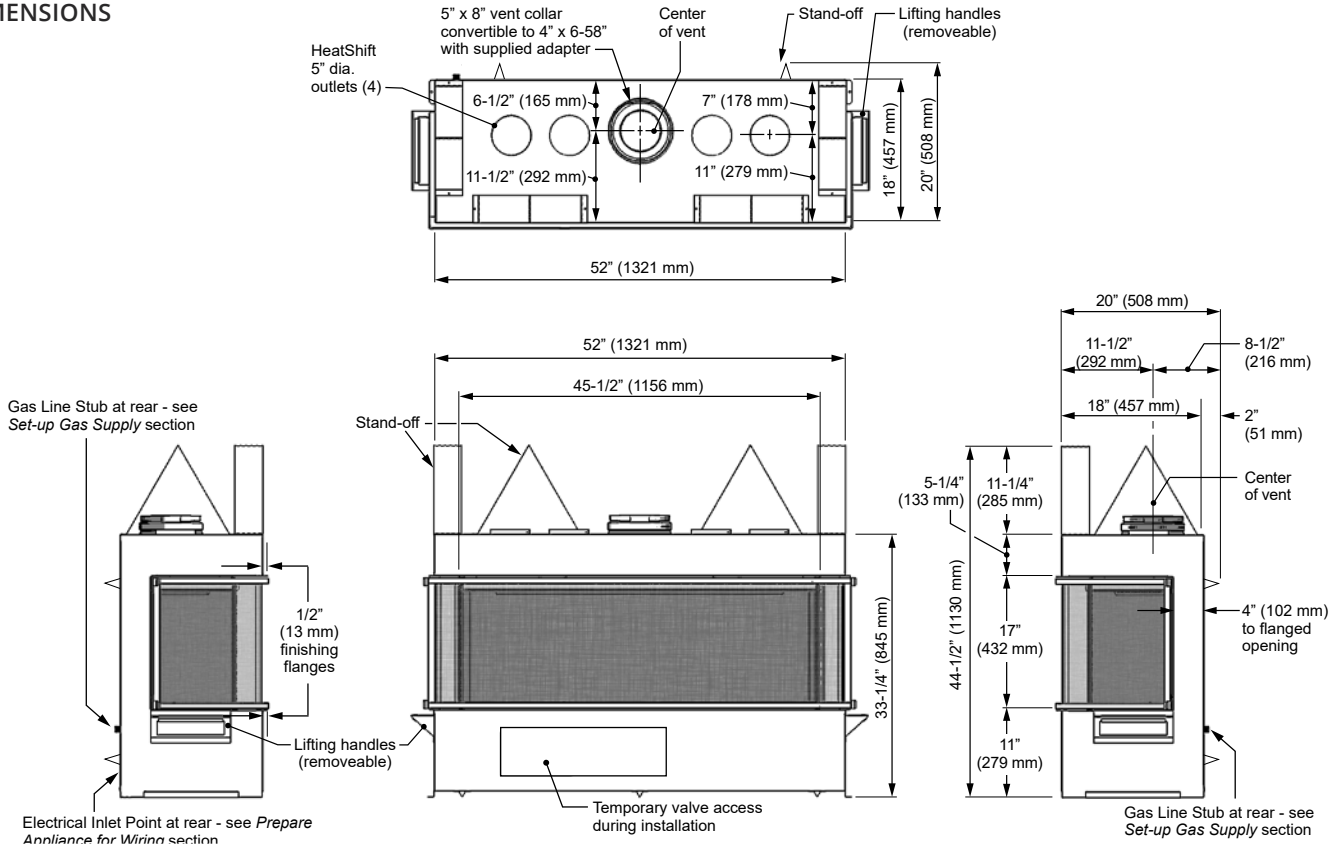
Certified to ANSI 21.88/ CSA 2.33 Vented Gas Fireplace Heater  
 American National Standard CGA - 2.17-91 Gas Fired Appliances  
 for use at high altitudes.

\*EnerGuide Ratings and Outputs have been determined without a fan/blower, using the CSA P4.1-15 test method.



# LX2 3-SIDED

## DIMENSIONS



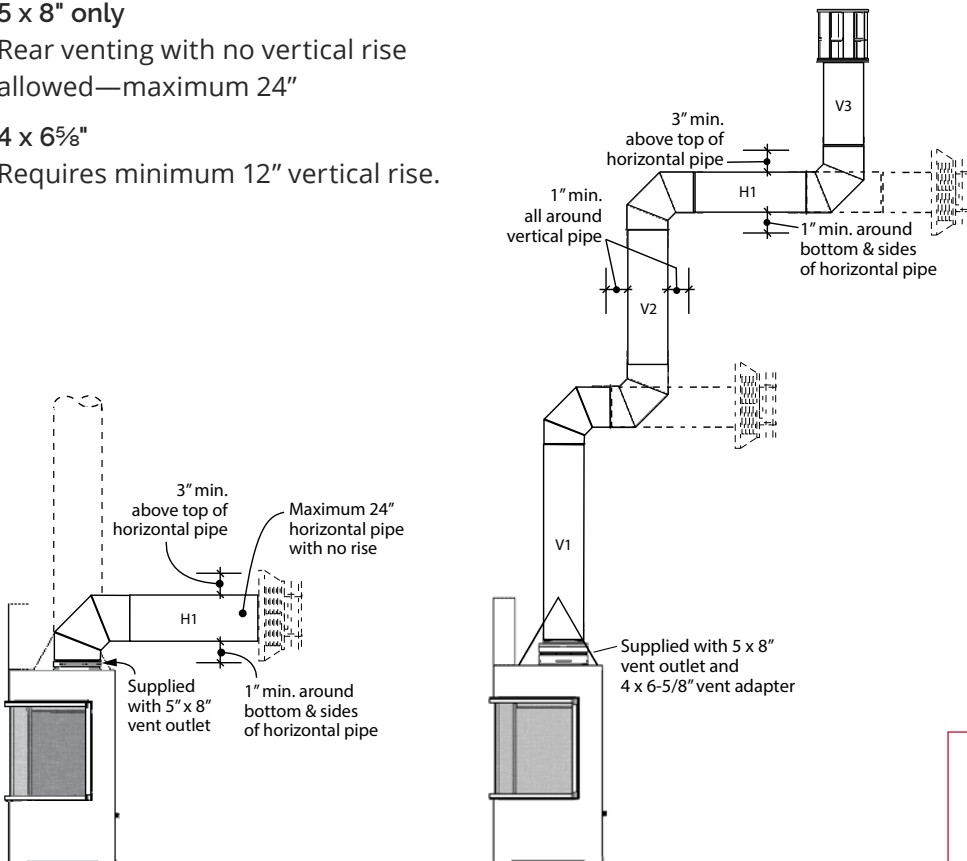
## VENTING

### 5 x 8" only

Rear venting with no vertical rise allowed—maximum 24"

### 4 x 6 5/8"

Requires minimum 12" vertical rise.



### COMBUSTIBLE FRAMING

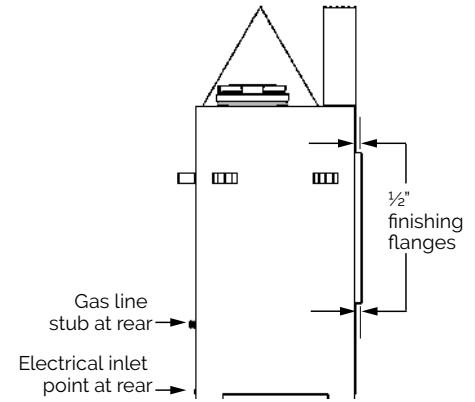
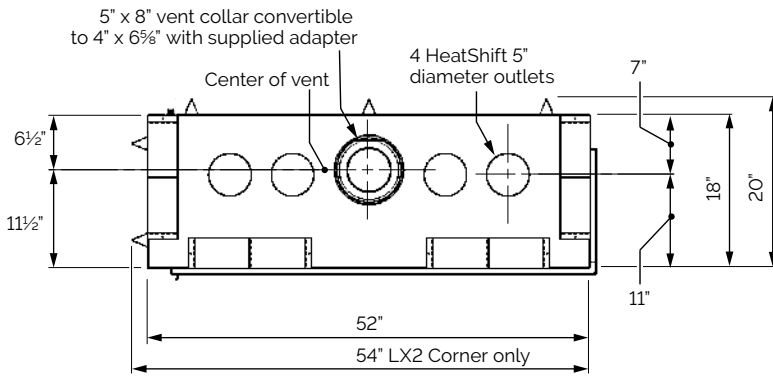
H	W	D
44 1/2"	54" max	20" min



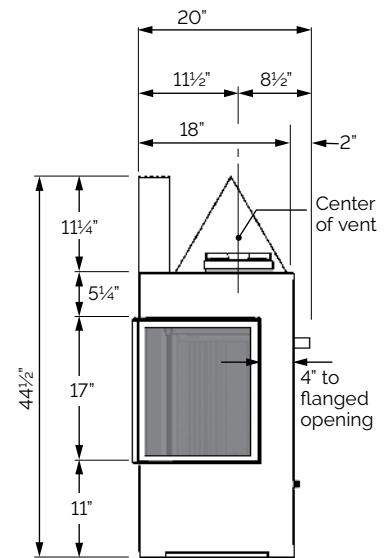
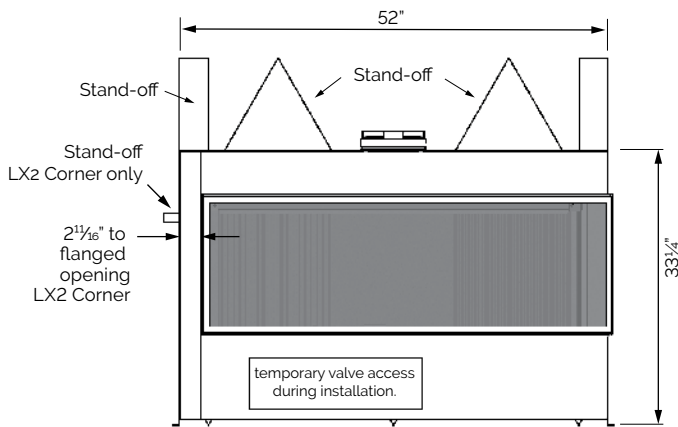
ALWAYS REFER TO THE MANUAL FOR COMPLETE INSTALLATION INSTRUCTIONS.

# LX2 CORNER

## DIMENSIONS



LX2 Corner Right shown. Mirror image for Corner Left.



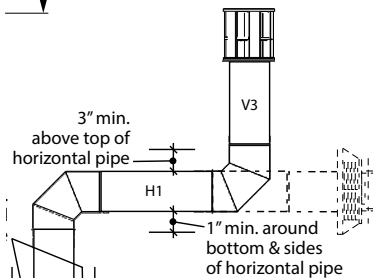
## VENTING

### 5 x 8" only

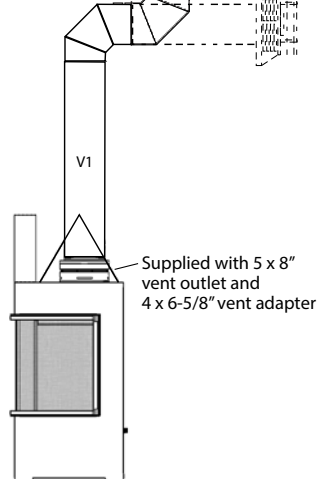
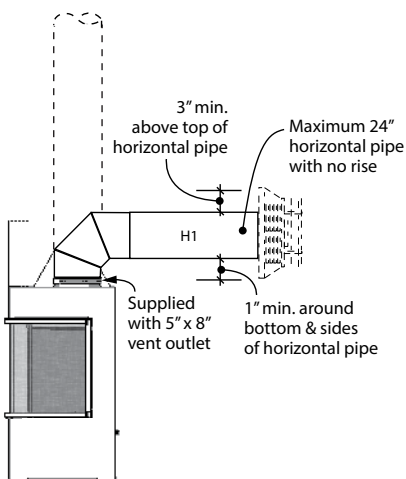
Rear venting with no vertical rise allowed—maximum 24"

### 4 x 6 $\frac{5}{8}$ "

Requires minimum 12" vertical rise.



COMBUSTIBLE FRAMING		
H	W	D
44 $\frac{1}{2}$ "	54" max	20" min



ALWAYS REFER TO THE MANUAL FOR COMPLETE INSTALLATION INSTRUCTIONS.

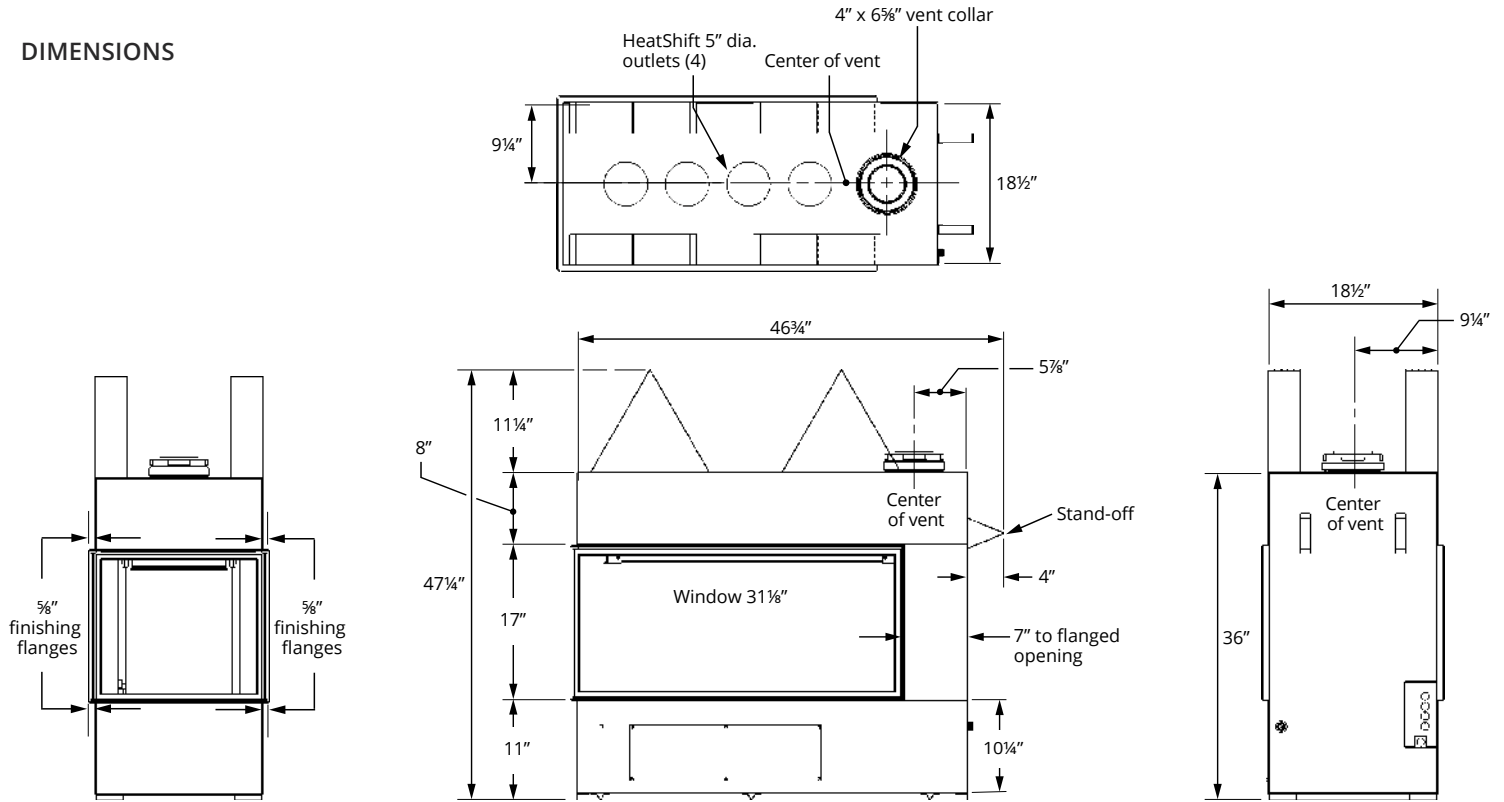




LX2 CORNER RIGHT 2200RK  
SPLITWOOD 1700SWK  
REFLECTIVE GLASS LINER 2200RGL + 220RGP  
HEATSHIFT™ SIDE MOUNTED GRILLES LDK3

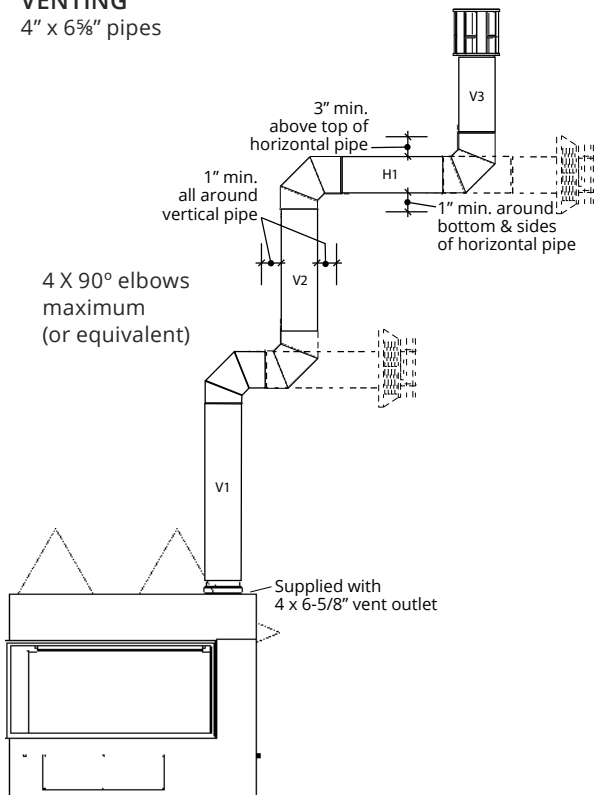
# LX1

## DIMENSIONS



## VENTING

4" x 6 5/8" pipes



ALWAYS REFER TO THE  
MANUAL FOR COMPLETE  
INSTALLATION INSTRUCTIONS.

# LX COMPONENTS

1	DIRECT VENT ENGINES		LX2 3-SIDED	LX2 CORNER LEFT	LX2 CORNER RIGHT	LX1 PIER
	Natural Gas		2200KN	2200LKN	2200RKN	2100PKN
	Propane		2200KP	2200LKP	2200RKP	2100PKP
2	FUEL BEDS					
	Birch logs	2100BLK	✓	✓	✓	✓
	Driftwood	1705DWK	✓	✓	✓	2100DWK
	Rock and Shale	1714RSS	✓	✓	✓	2100RSS
	Murano Glass	2200DGM	✓	✓	✓	2100DGM
	Splitwood	1700SWK	✓	✓	✓	
3	LINERS					
	Fluted Black		2200FBL	2200FBL + 2200FBP		2200FBP
	Reflective Glass		2200RGL	2200RGL + 2200RGP		2100RGP
4	HEATSHIFT™ Finishing options. See manuals for complete list of parts.					
	Front mounted 48" frame and plenum	LDK1 + LDK2	✓	✓	✓	
	Front mounted 38" frame and plenum	LDK4 + LDK5	✓	✓	✓	✓
	Front mounted 30" frame and plenum	LDK9 + LDK10				✓
	Side mounted grille, two	LDK3	✓	✓	✓	✓
	Top mounted outlets	LDK7	✓	✓	✓	✓
	Heat canopy, pony wall	2100HSC				✓
5	REMOTE CONTROL					
	Valor 10	GV60SYMAX	✓	✓	✓	✓
	Remote Battery and Wall Switch	RBWSK	✓	✓	✓	✓
6	OPTIONAL					
	Steel Framing Kit	2200SFK	✓	✓	✓	2100SFK
	Decorative Rock for Driftwood	1506DRK	✓	✓	✓	✓
	Remote Blower, zone heating	1270RBK	✓	✓	✓	✓

## WARNING

This product can expose you to chemicals including Benzene, which is known to the State of California to cause cancer and birth defects or other reproductive harm.

For more information go to [www.P65Warnings.ca.gov](http://www.P65Warnings.ca.gov)

Note: Natural gas, in its original state, contains Benzene.

[valorfireplaces.com](http://valorfireplaces.com)



LX2 3-SIDED 2200K  
MURANO GLASS 2200DGM  
REFLECTIVE GLASS LINER 2200RGL  
HEATSHIFT SIDE MOUNTED GRILLES LDK3

BRLX24E MAR

The Valor logo features a stylized red flame icon to the left of the word "valor" in a bold, lowercase, sans-serif font. The registered trademark symbol (®) is located at the top right of the word.